

**EASY
SPACE**

ES001

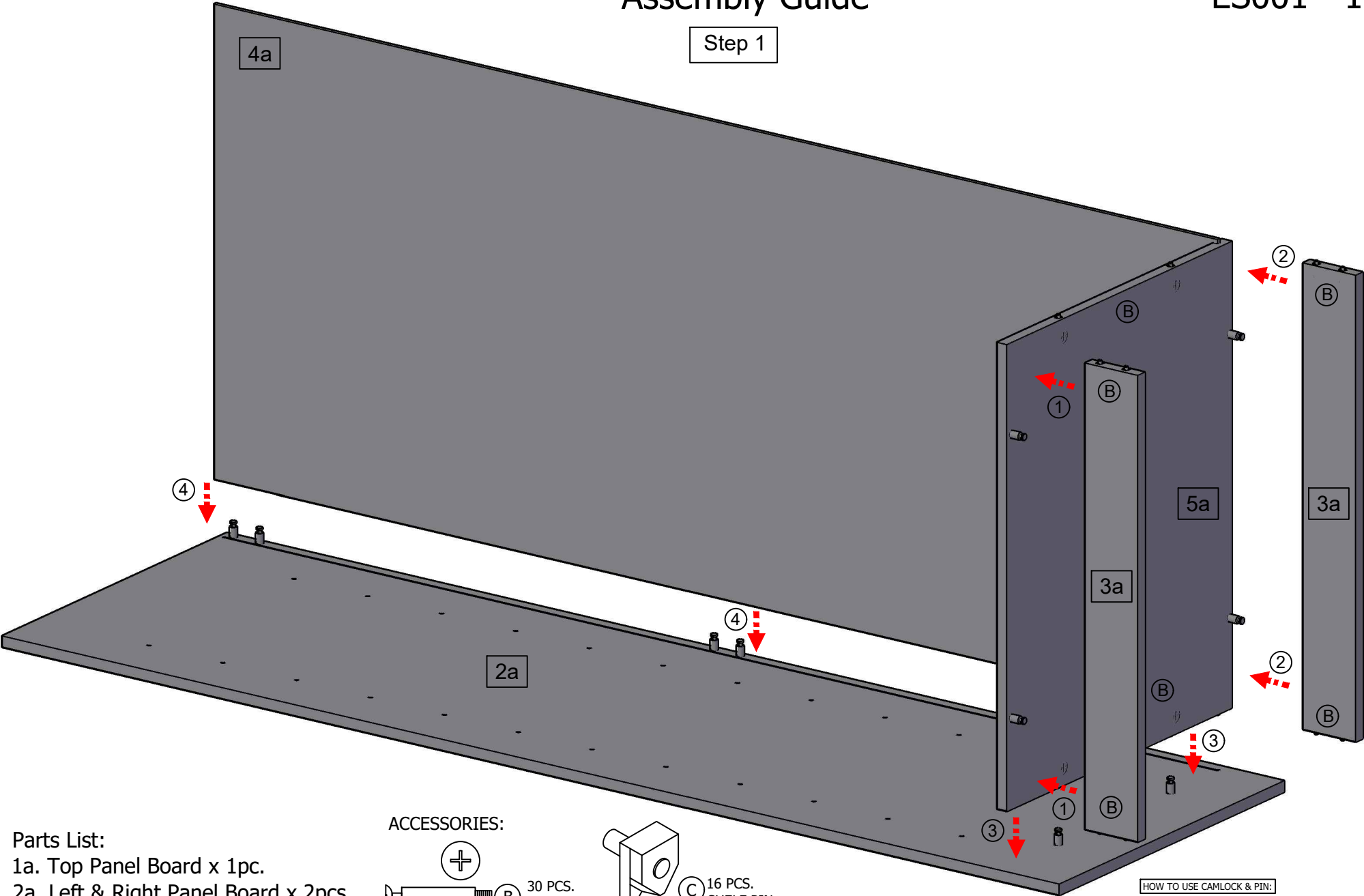
Dimension:
802 x 600 x 2026 mm



Assembly Guide

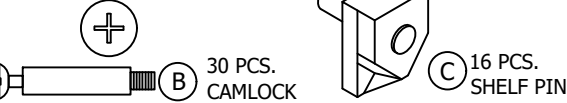
ES001 - 1

Step 1



- Parts List:
- 1a. Top Panel Board x 1pc.
 - 2a. Left & Right Panel Board x 2pcs.
 - 3a. Base Panel Board x 4pcs.
 - 4a. Back Panel Board x 1pc.
 - 5a. Bottom Panel Board x 1pc.

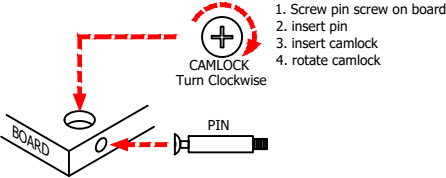
ACCESSORIES:



TOOLS:



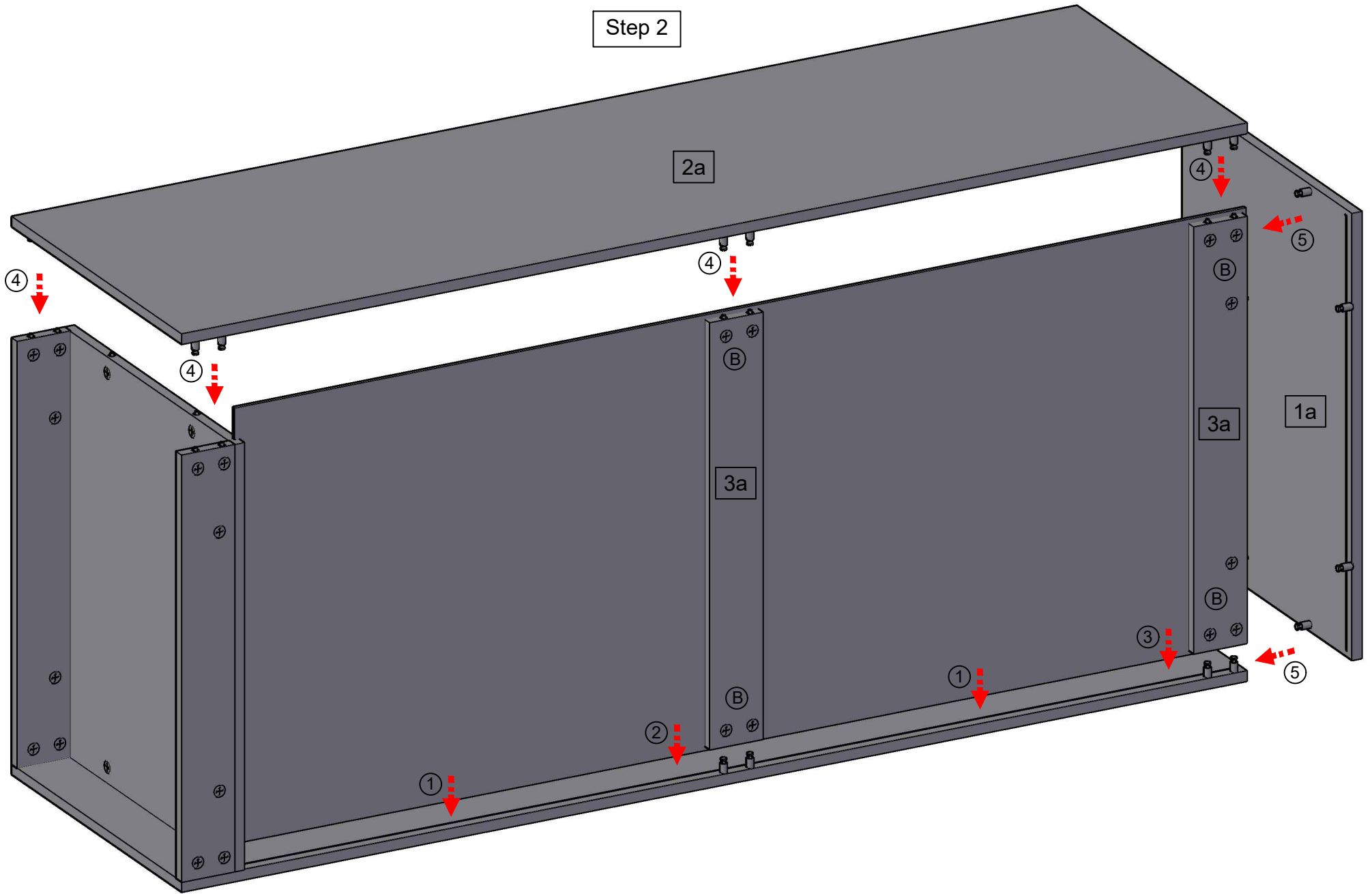
HOW TO USE CAMLOCK & PIN:

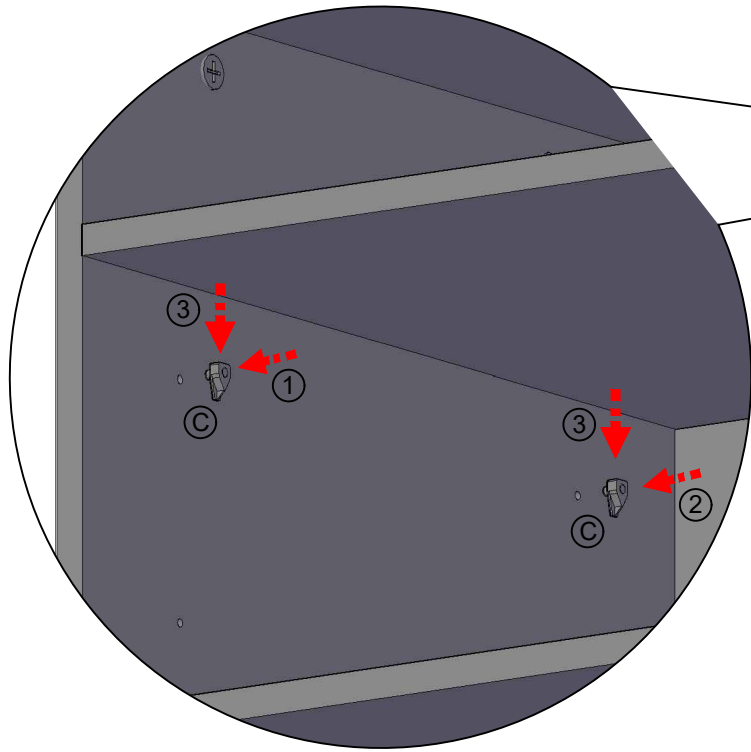


Assembly Guide

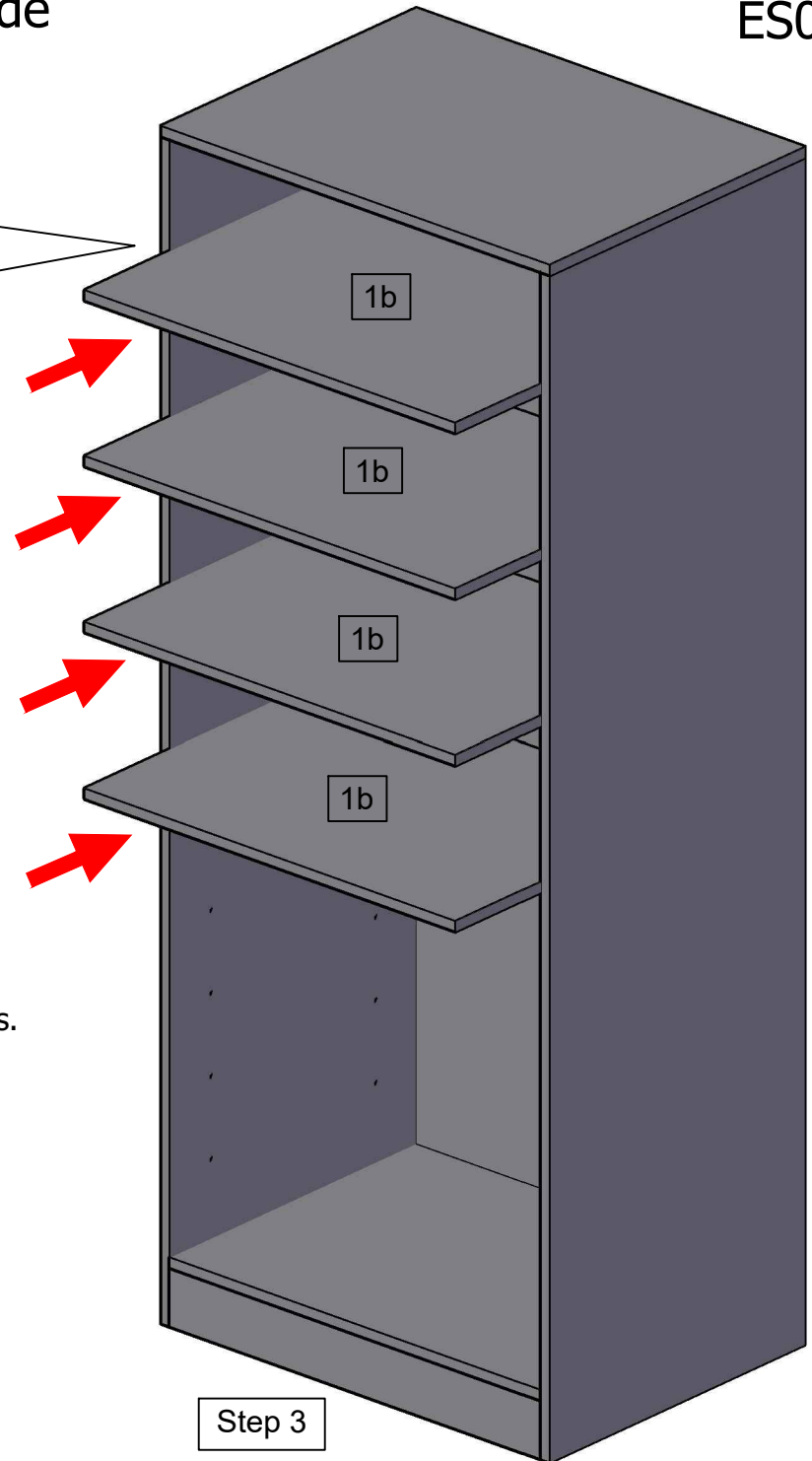
ES001 - 2

Step 2





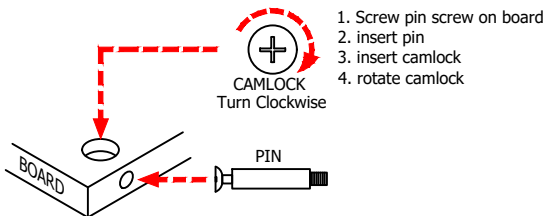
Step 4



Step 3

Parts List:
1b. Adjustable Shelf Panel Board x 4pcs.

HOW TO USE CAMLOCK & PIN:



1. Screw pin screw on board
2. insert pin
3. insert camlock
4. rotate camlock

1. Flange
2. Black Screw
3. Oval Rod

