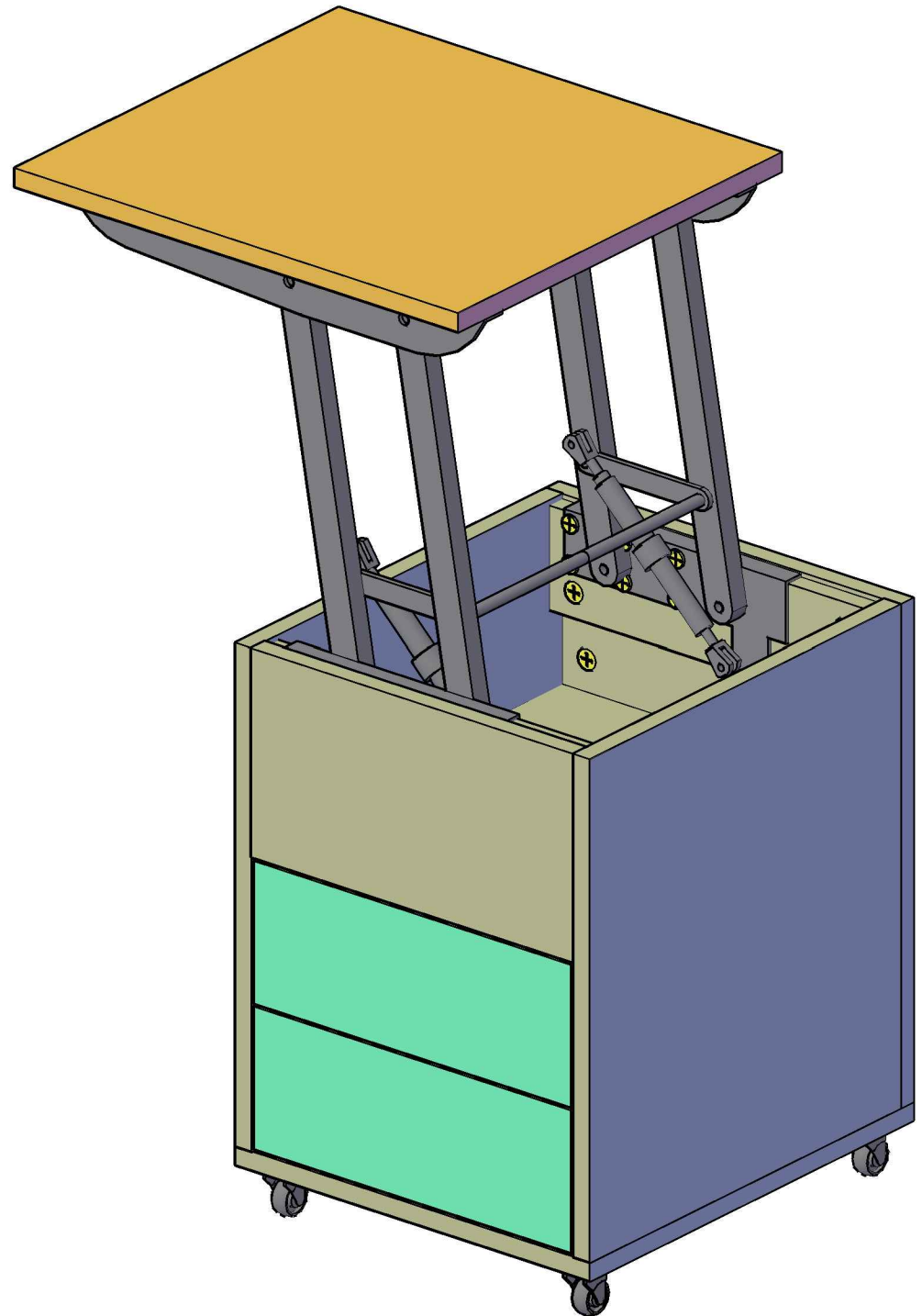


**EASY
SPACE**

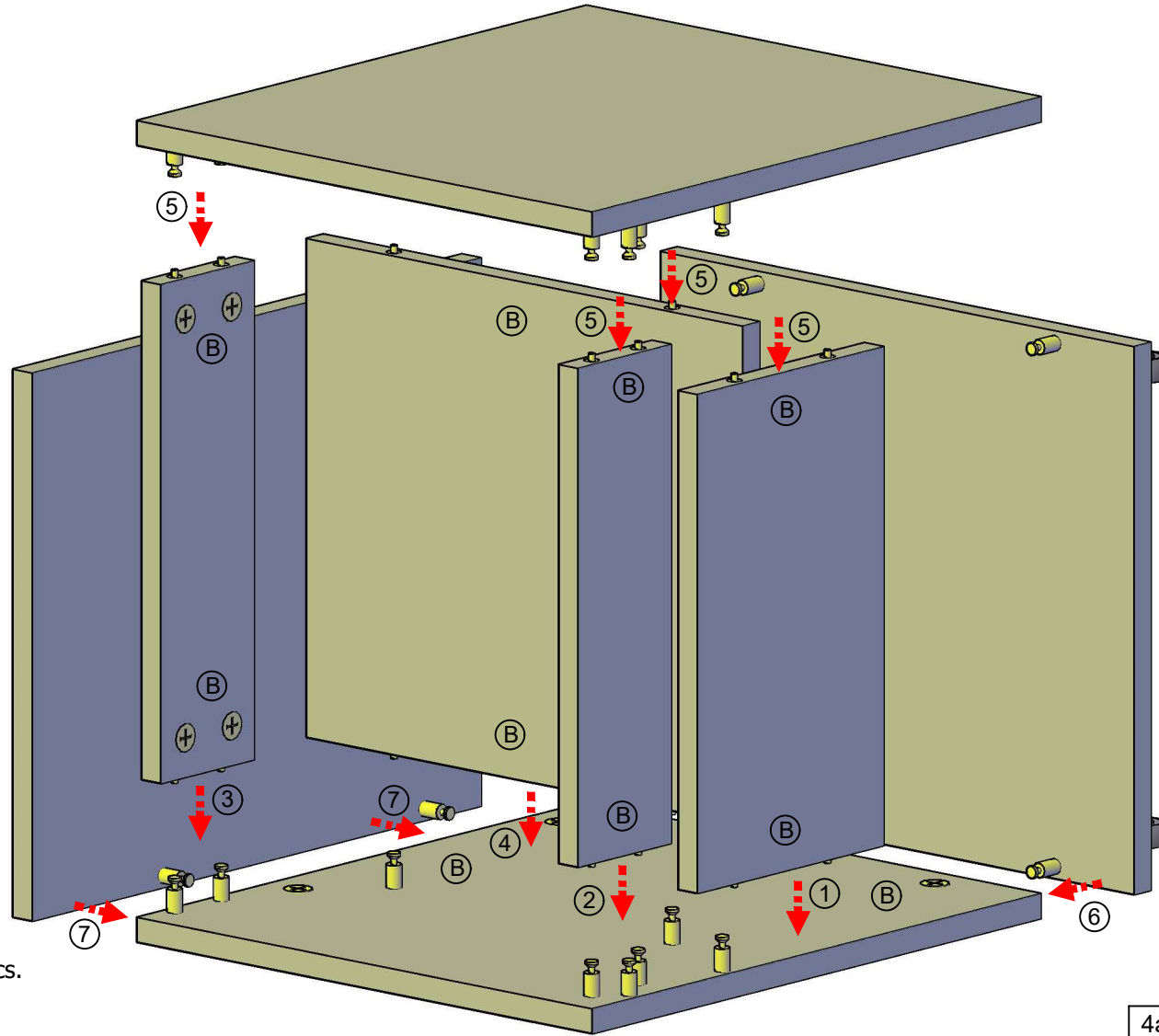
**ES - ST - 001
Side Table**

Dimension:
400 x 450 x 785 mm



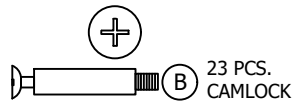
Assembly Guide

Step 1

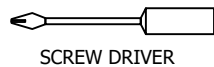


- Parts List:
- 1a. Left & Right Panel Board x 2pcs.
 - 2a. Middle Panel Board x 1pc.
 - 3a. Bottom Panel Board x 1pc.
 - 4a. Back Panel Board x 1pc.
 - 5a. Base Panel Board x 2pcs.

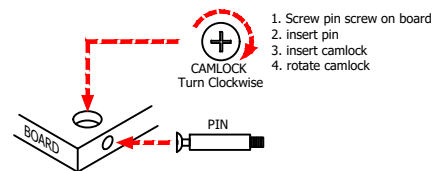
ACCESSORIES:



TOOLS:



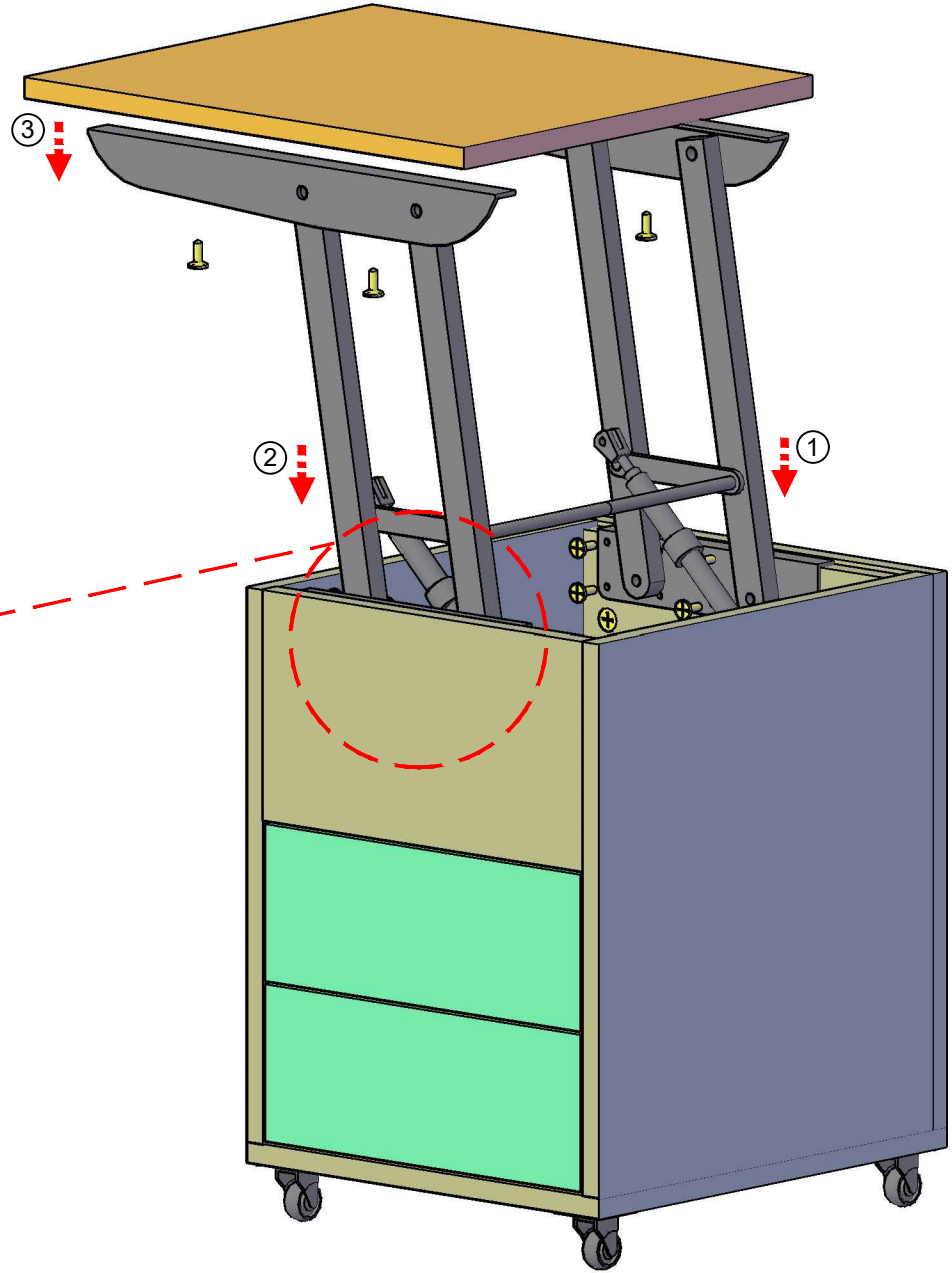
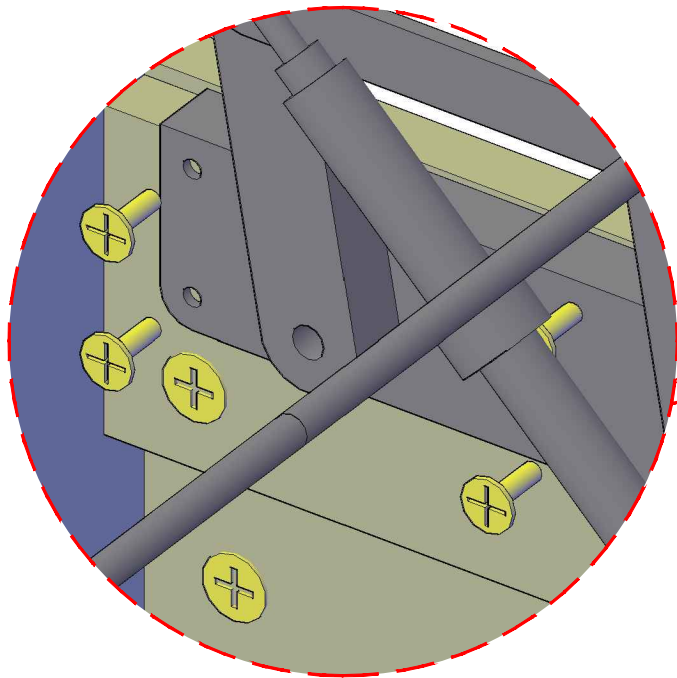
HOW TO USE CAMLOCK & PIN:



4a

Assembly Guide

Step 2

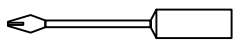


ACCESSORIES:



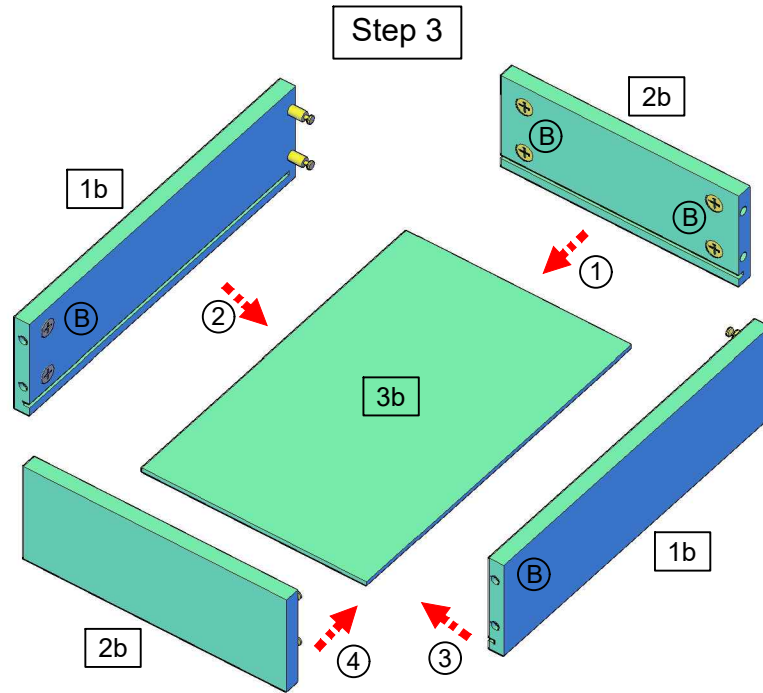
12 PCS.
SCREW

TOOLS:

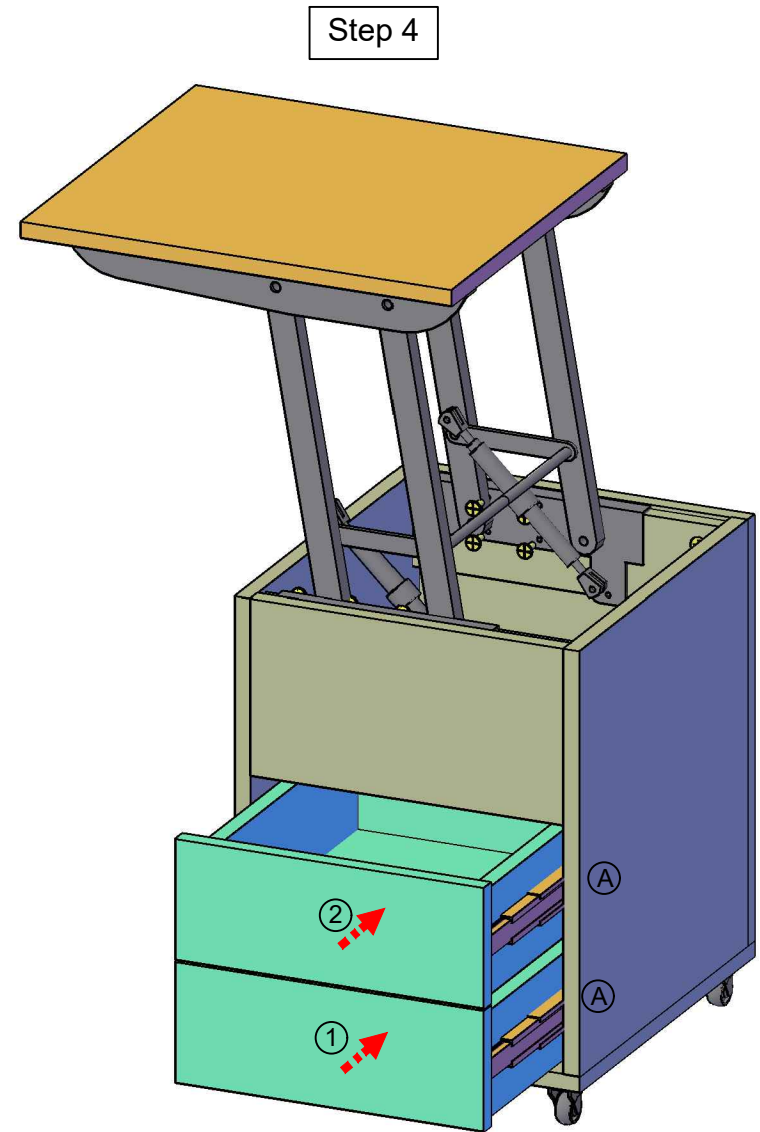


SCREW DRIVER

Drawer Assembly Guide



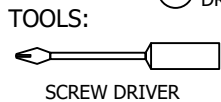
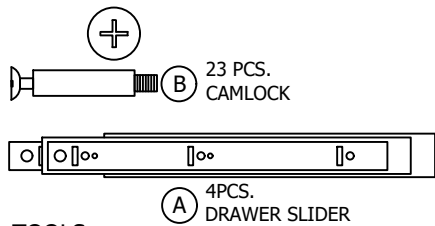
Step 3



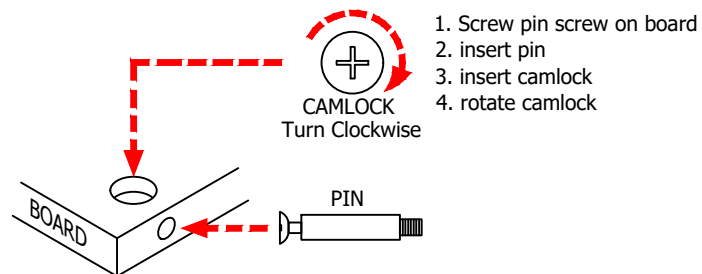
Step 4

- Parts List:
- 1b. Front & Back Panel Board x 4pcs.
 - 2b. Left & Right Panel Board x 4pcs.
 - 3b. Bottom Panel Board x 2pcs.

ACCESSORIES:



HOW TO USE CAMLOCK & PIN:



1. Screw pin screw on board
2. insert pin
3. insert camlock
4. rotate camlock