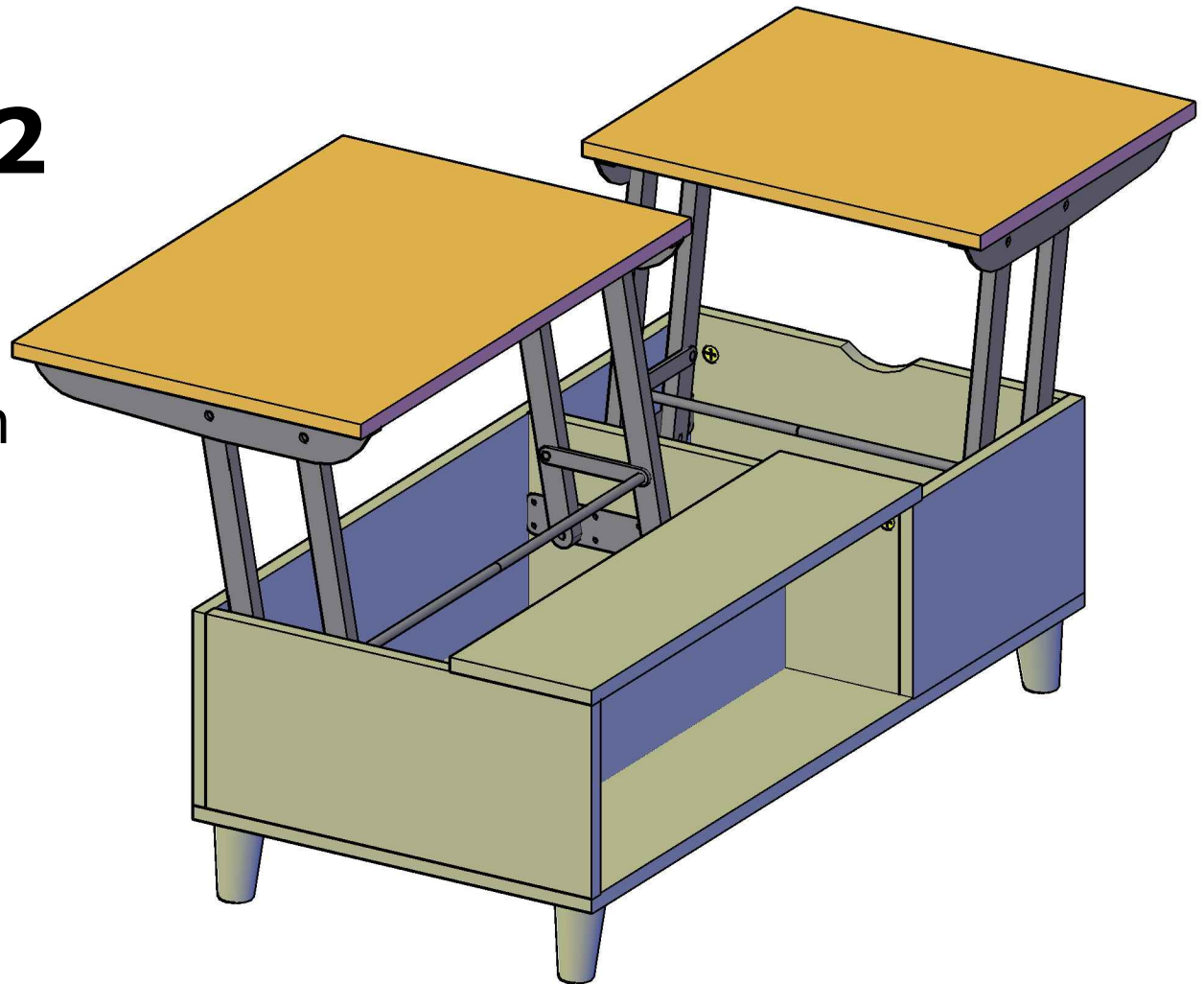


**EASY
SPACE**

ES - B07 - 28 - 2

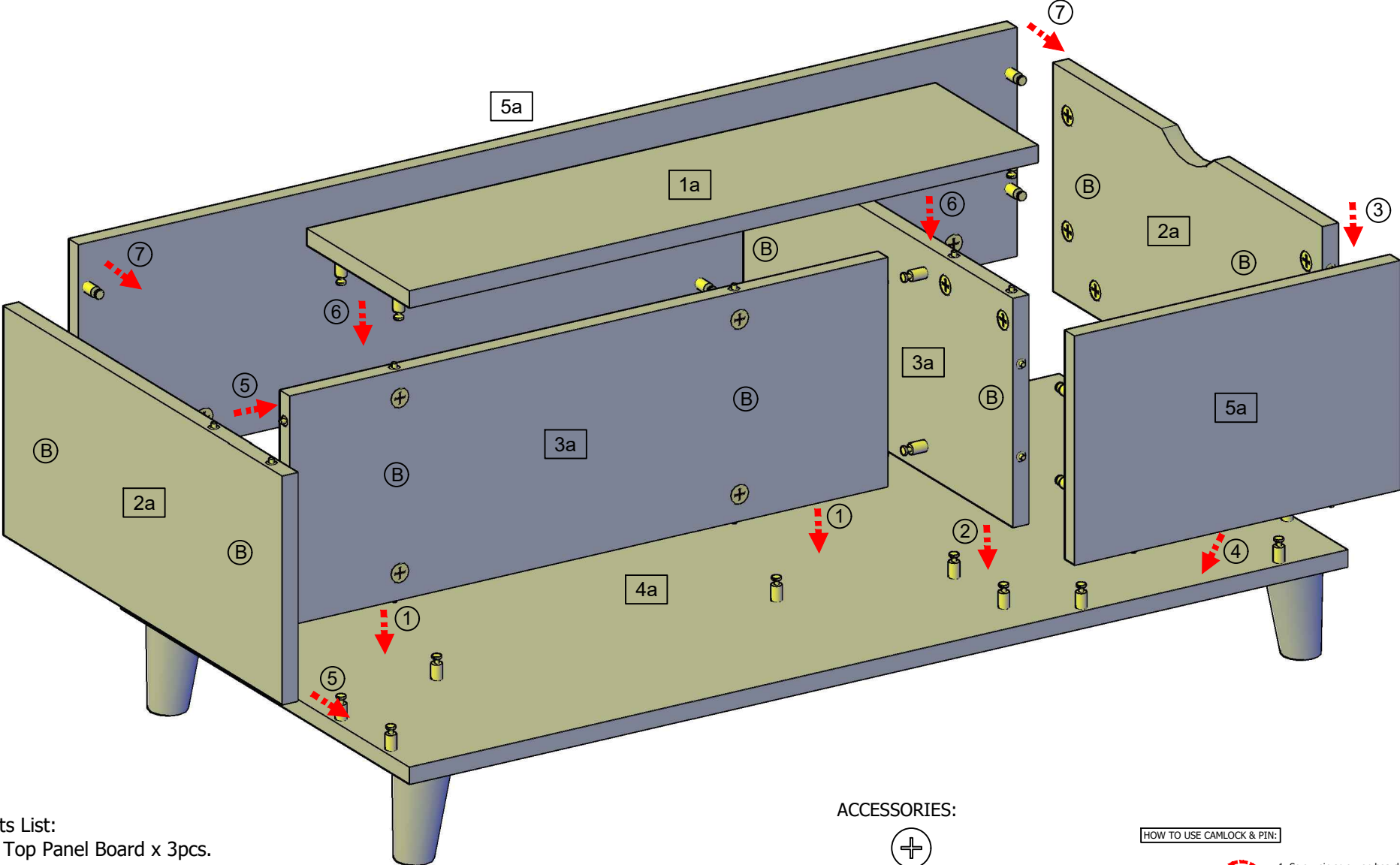
Coffee Table

Dimension:
1105 x 550 x 668 mm



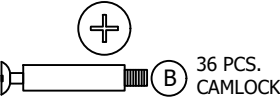
Assembly Guide

Step 1



- Parts List:
- 1a. Top Panel Board x 3pcs.
 - 2a. Left & Right Panel Board x 2pcs.
 - 3a. Middle Panel Board x 2pcs.
 - 4a. Bottom Panel Board x 1pc.
 - 5a. Front & Back Panel Board x 2pcs.

ACCESSORIES:

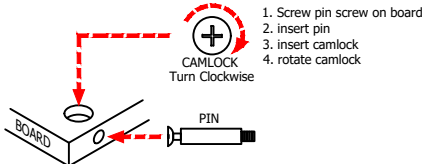


TOOLS:



SCREW DRIVER

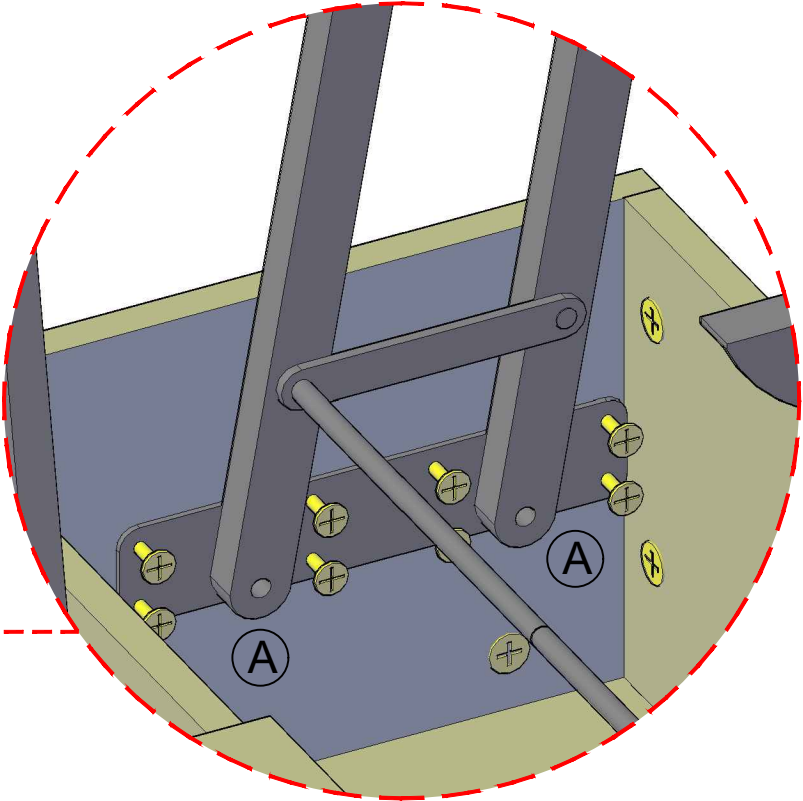
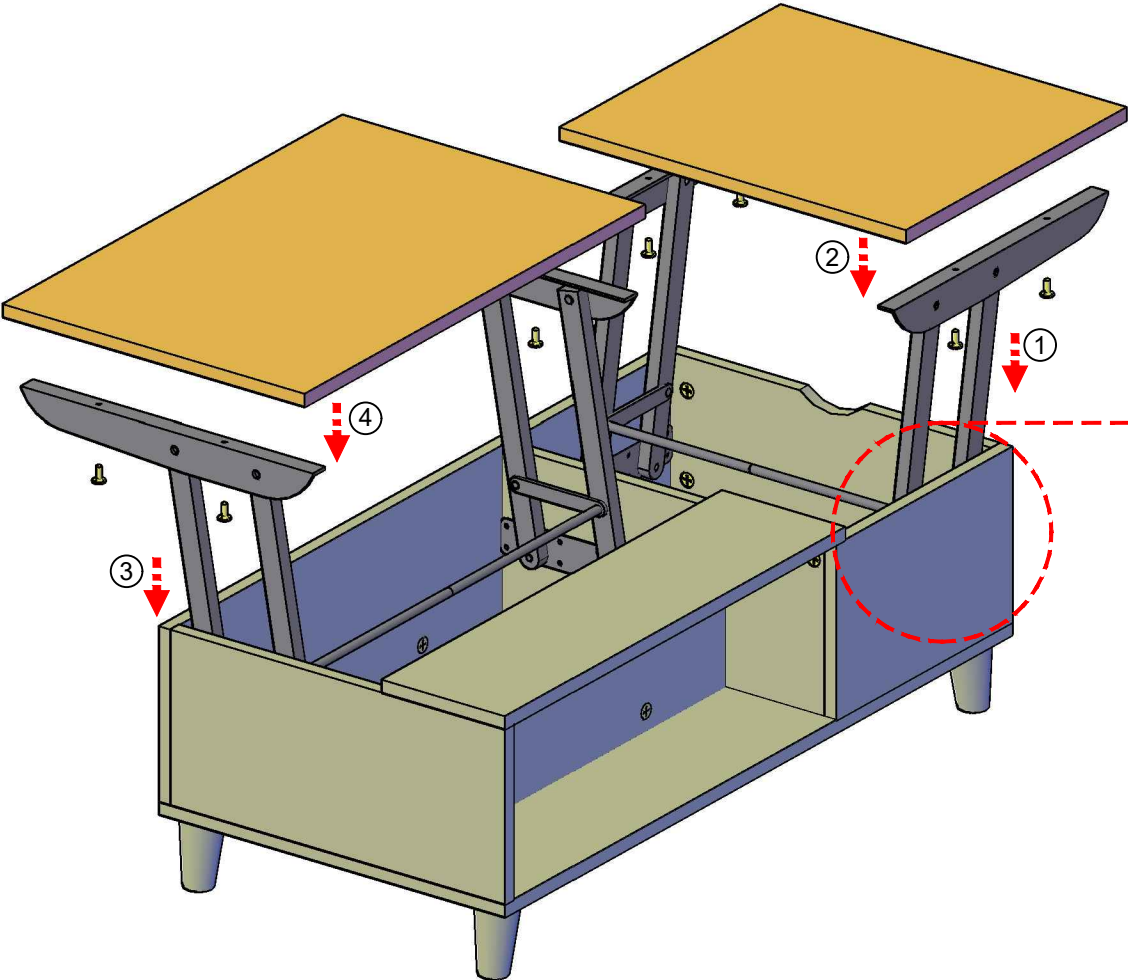
HOW TO USE CAMLOCK & PIN:



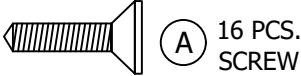
1. Screw pin screw on board
2. insert pin
3. insert camlock
4. rotate camlock

Assembly Guide

Step 2

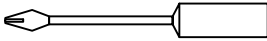


ACCESSORIES:



16 PCS. SCREW

TOOLS:



SCREW DRIVER