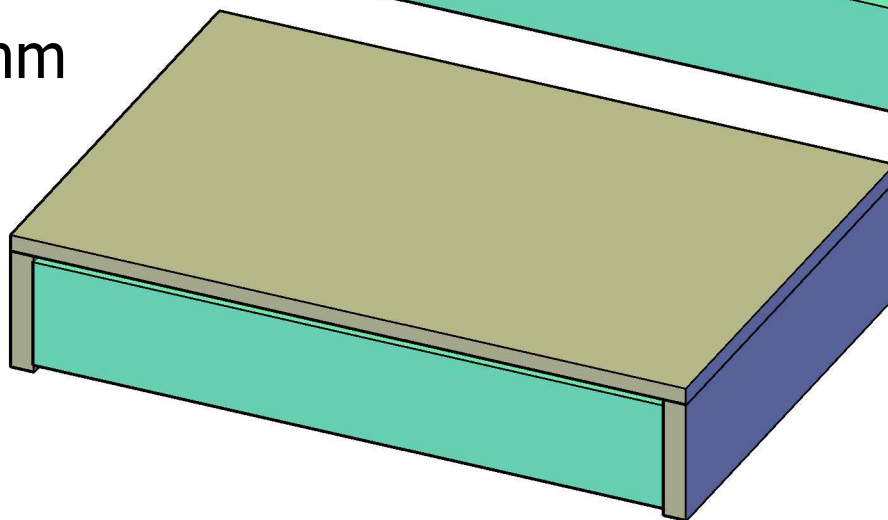
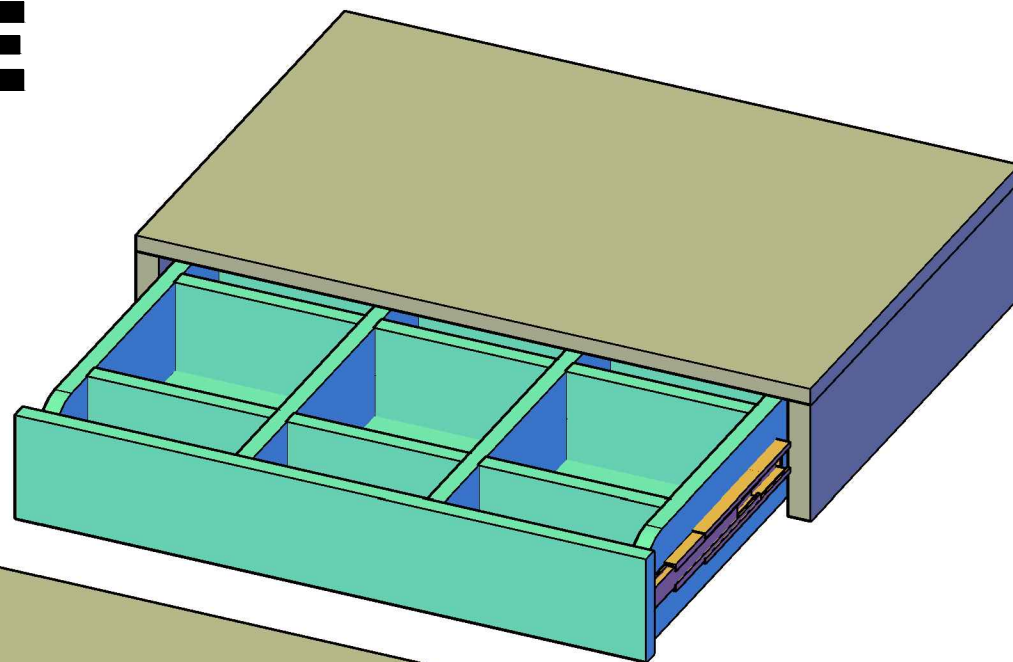


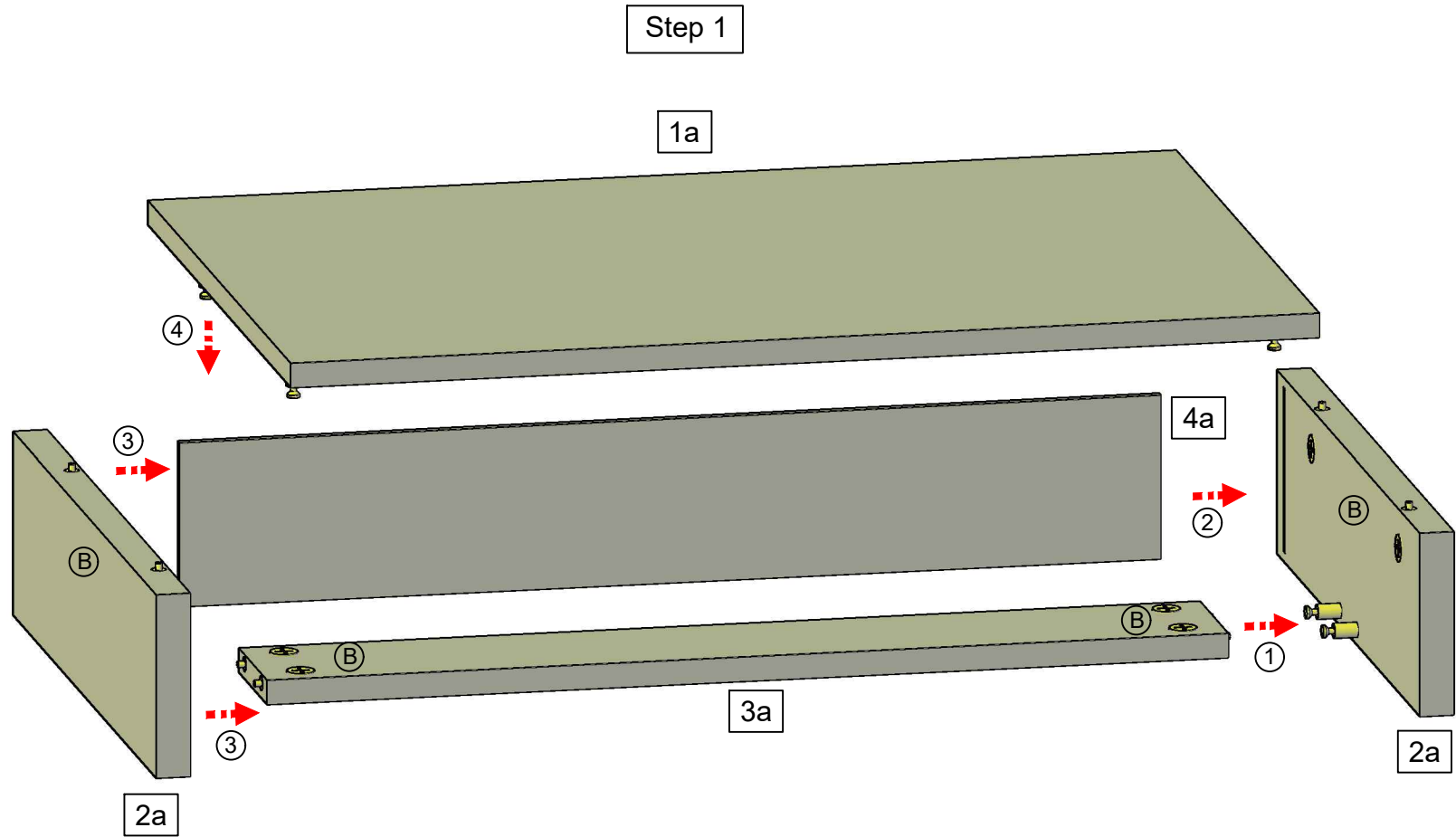
**EASY
SPACE**

Jewelry Drawer

Dimension:
763 x 516 x 155 mm



Assembly Guide

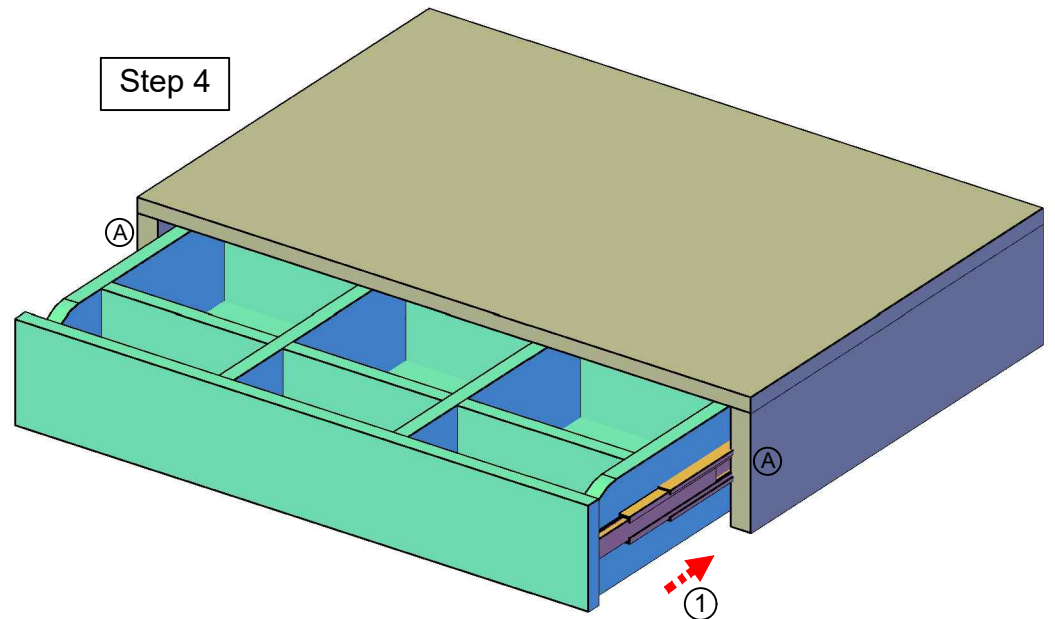
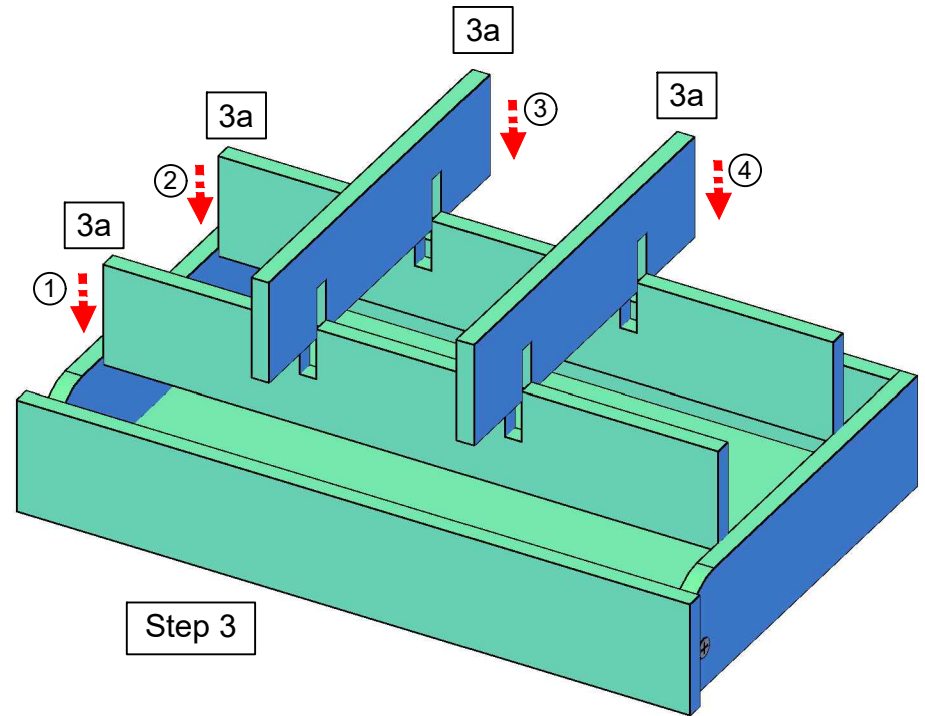
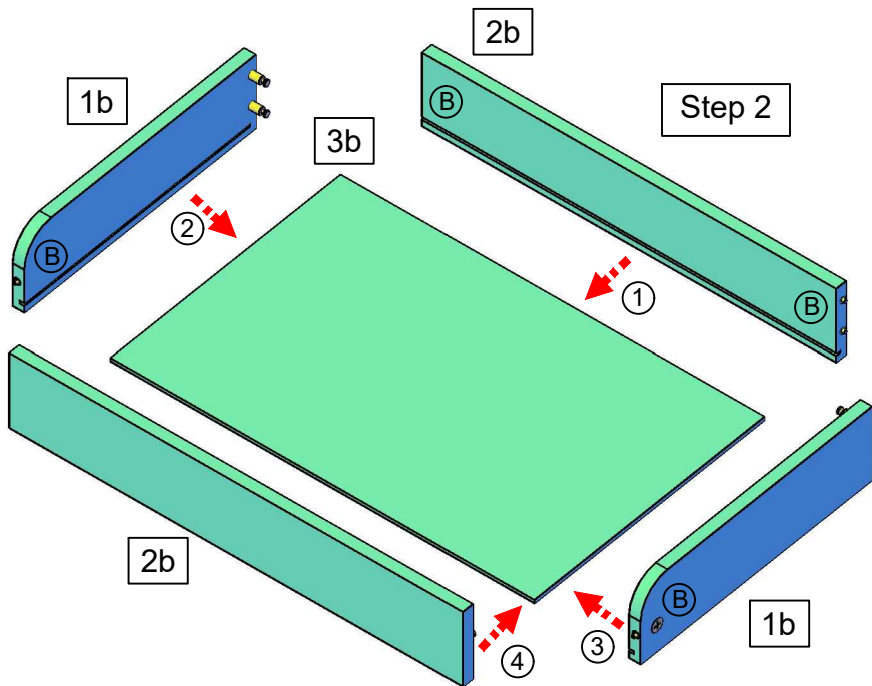


Parts List:

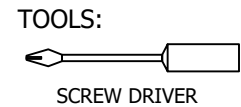
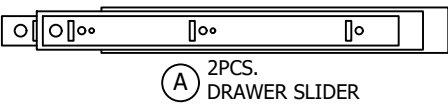
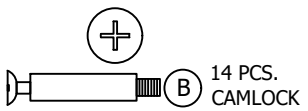
- 1a. Top Panel Board x 1pc.
- 2a. Left & Right Panel Board x 2pcs.
- 3a. Base Panel Board x 5pcs.
- 4a. Back Panel Board x 1pc.
- 1b. Drawer Left & Right Panel Board x 2pcs.
- 2b. Drawer Front & Back Panel Board x 2pcs.
- 3b. Drawer Bottom Panel Board x 1pc.

Assembly Guide

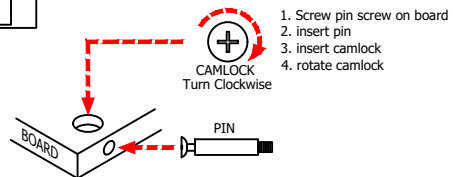
Drawer Assembly Guide



ACCESSORIES:



HOW TO USE CAMLOCK & PIN:



1. Screw pin screw on board
2. insert pin
3. insert camlock
4. rotate camlock