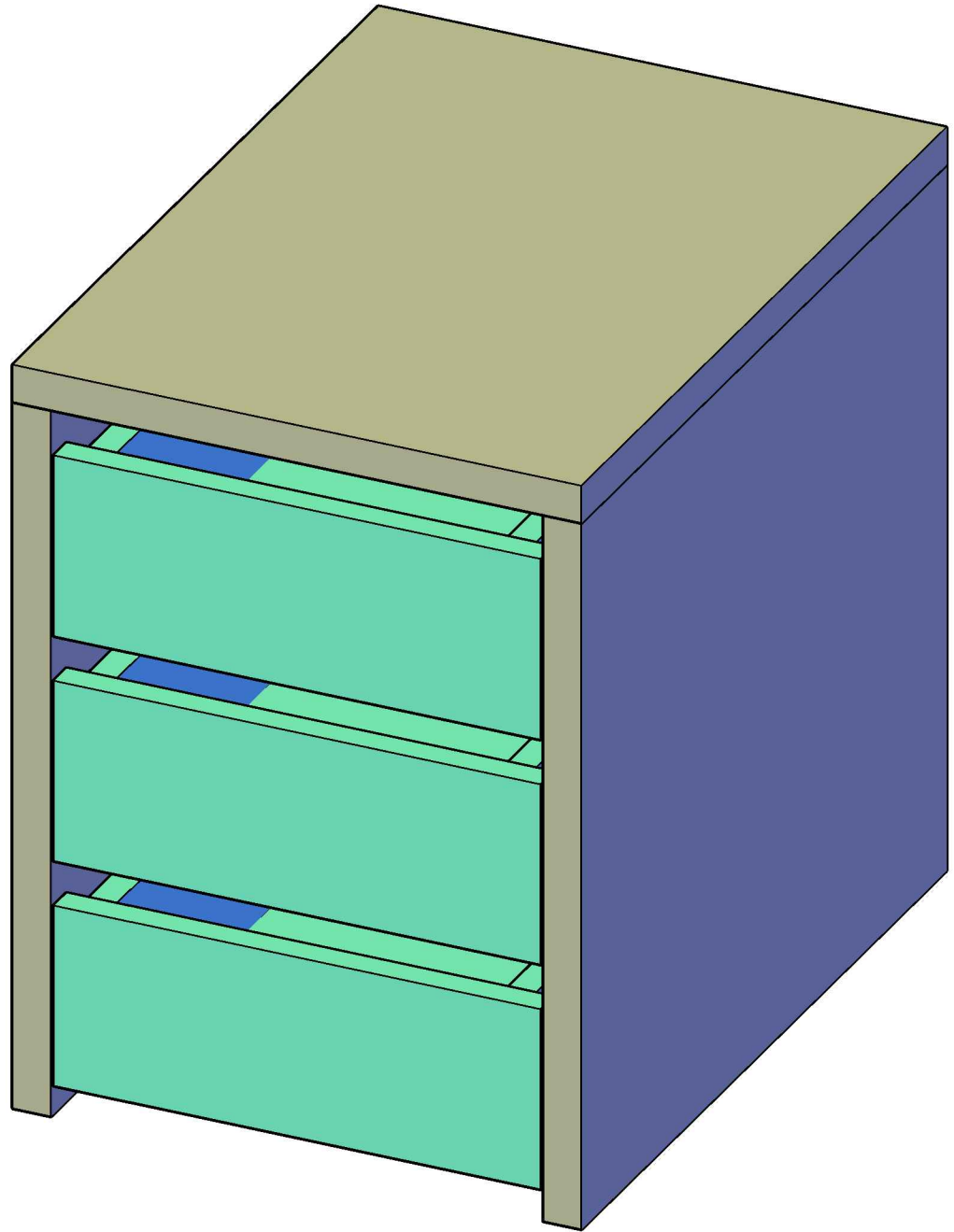


**EASY  
SPACE**

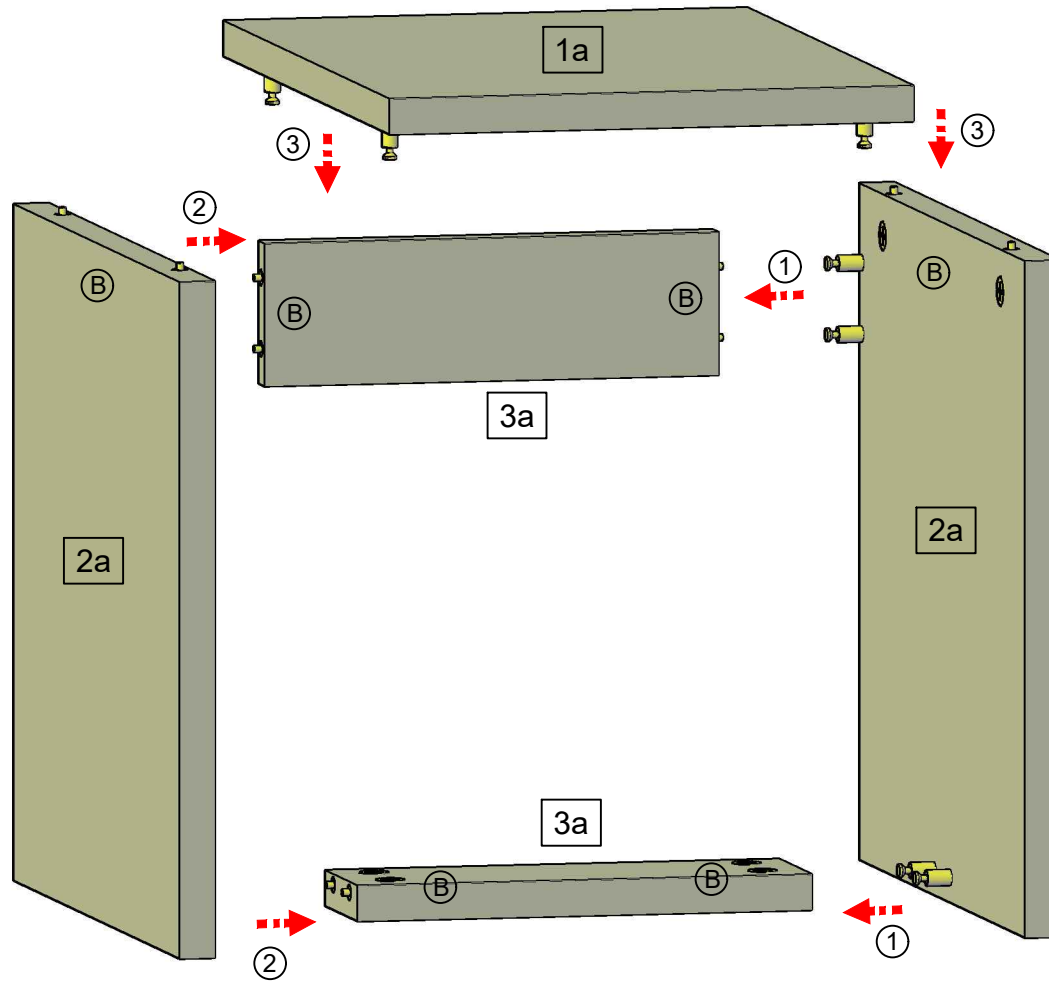
**3 Layer  
Single Drawer**

Dimension:  
374 x 516 x 499 mm



# Assembly Guide

Step 1



## Parts List:

1a. Top Panel Board x 1pc.

2a. Left & Right Panel Board x 2pcs.

3a. Base Panel Board x 2pcs.

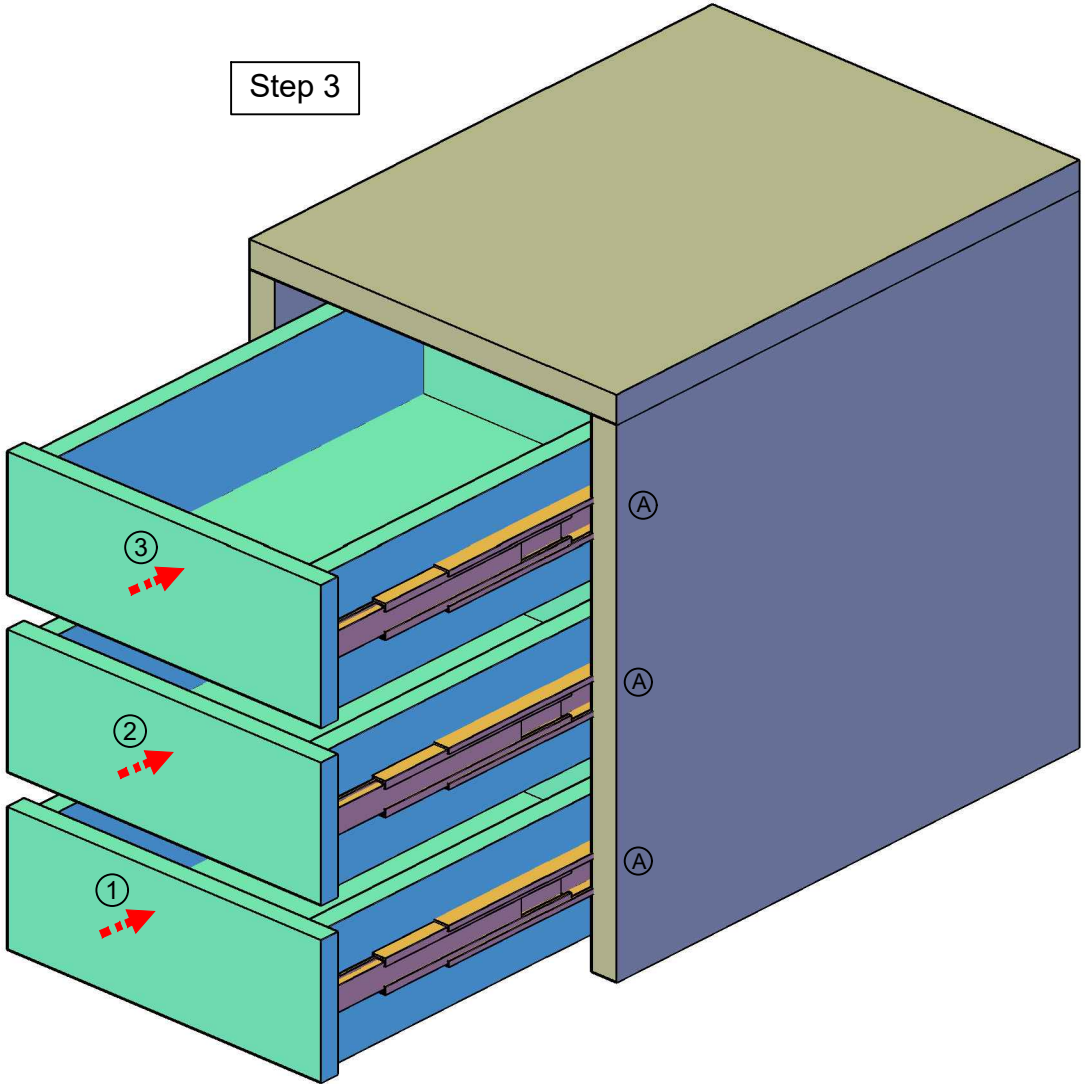
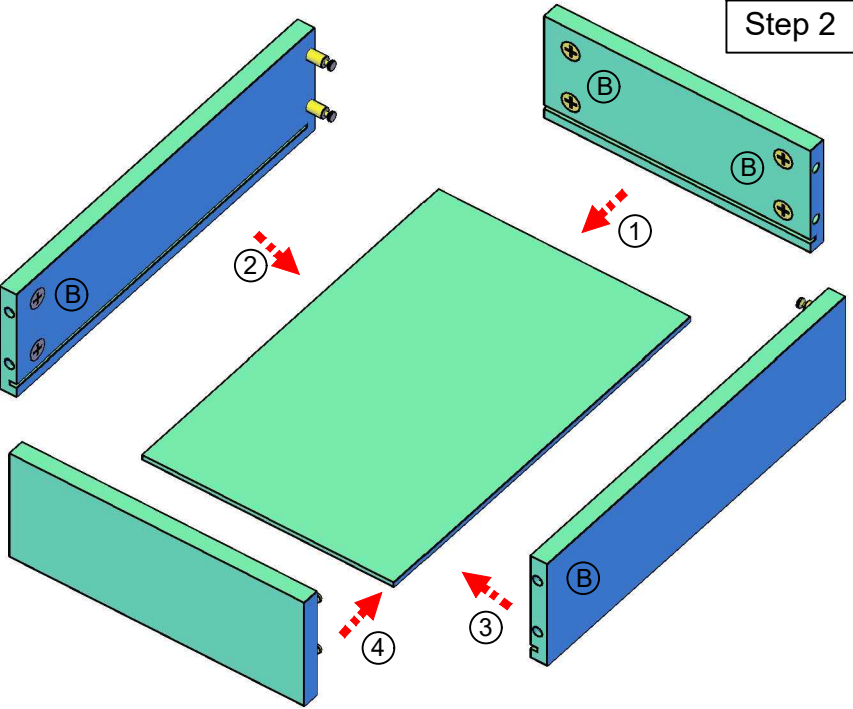
1b. Drawer Left & Right Panel Board x 6pcs.

2b. Drawer Front & Back Panel Board x 6pcs.

3b. Drawer Bottom Panel Board x 3pcs.

# Assembly Guide

## Drawer Assembly Guide



### ACCESSORIES:

