

Available in: 24"x92"x84" | 24"x72"x84" | 24"x48"x84"

**500LBS**  
PER SHELF

**WARNING:**

This product can expose you to chemicals including lead, which is known to the State of California to cause cancer and birth defects or other reproductive harm. For more information, go to:  
[www.P65Warnings.ca.gov](http://www.P65Warnings.ca.gov)

© 2007-2021 Copyright  
Eagle Industrial Group Inc.

Limited Lifetime Warranty

CUSTOMER SERVICE  
**NEED ASSISTANCE?**

Should you have questions regarding the instruction provided you can reach out to our awesome customer service and we'd be happy to help!

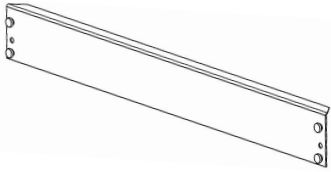
- **PHONE:** (877) 655-3443
- **EMAIL:** [support@saferacks.com](mailto:support@saferacks.com)
- **HOURS:** **MONDAY - FRIDAY** 7:00 AM - 6:00 PM CST, **SATURDAY** 8:00 AM - 12:00 PM CST

**877-655-3443 • [www.SafeRacks.com](http://www.SafeRacks.com)**

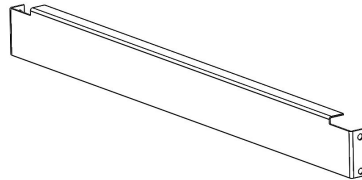
US PATENTS: D553,401 | 7,357,262 | D697,785 | 7,152,145 | OTHER PATENTS PENDING

**COMPONENTS:**

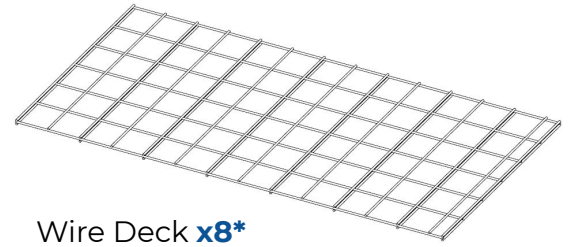
\* length varies by shelving size



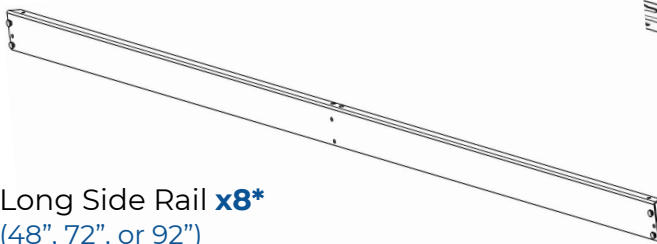
24" Short Side Rail **x8**



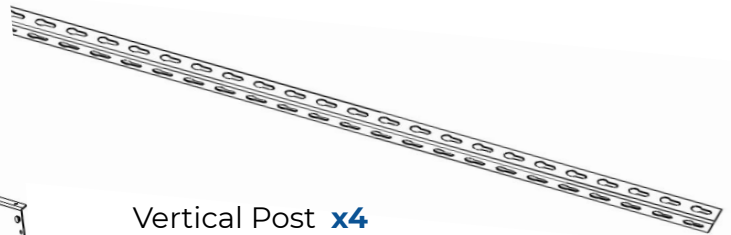
24" Center Support **x4**



Wire Deck **x8\***



Long Side Rail **x8\***  
 (48", 72", or 92")



Vertical Post **x4**

If you purchased a 24"x48"x84" Garage Shelving unit, some of the components, quantities, and steps will vary. The following are not included with a 24"x48"x84" unit:

- 24" Center Support
- 1/4"-20 Hex Bolts
- 1/4"-20 Hex Nuts
- Wire Decking Brackets
- #10-24 Deck Clip Screws
- #10-24 Hex Nut

Additionally, you will have only received 4 Wire Decks. For further questions, please call 877-655-3443.

**HARDWARE:**

Center Support Assembly



1/4"-20 Hex Bolt (x16)



1/4"-20 Hex Nut (x16)

Wire Deck Assembly



Wire Decking Bracket (x8)

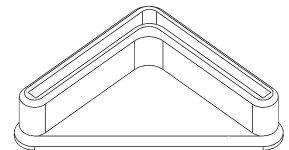


#10-24 Hex Nut (x16)

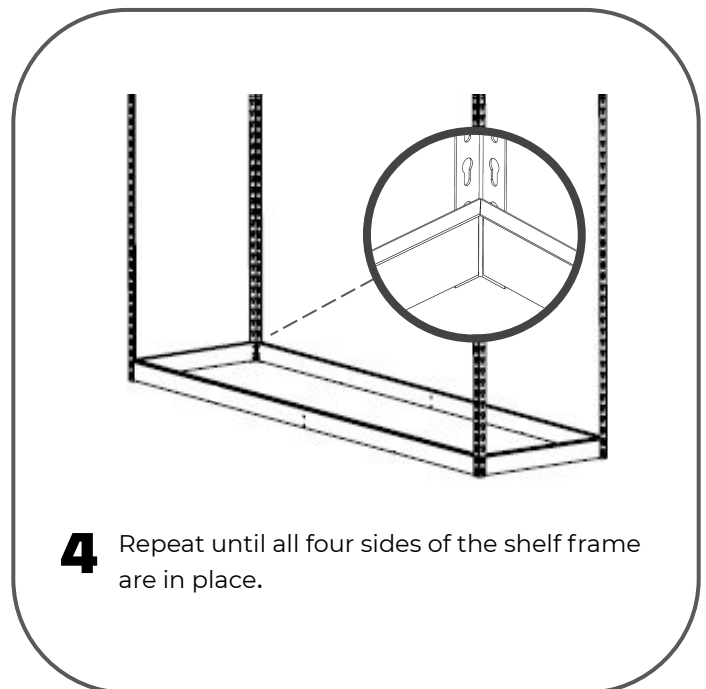
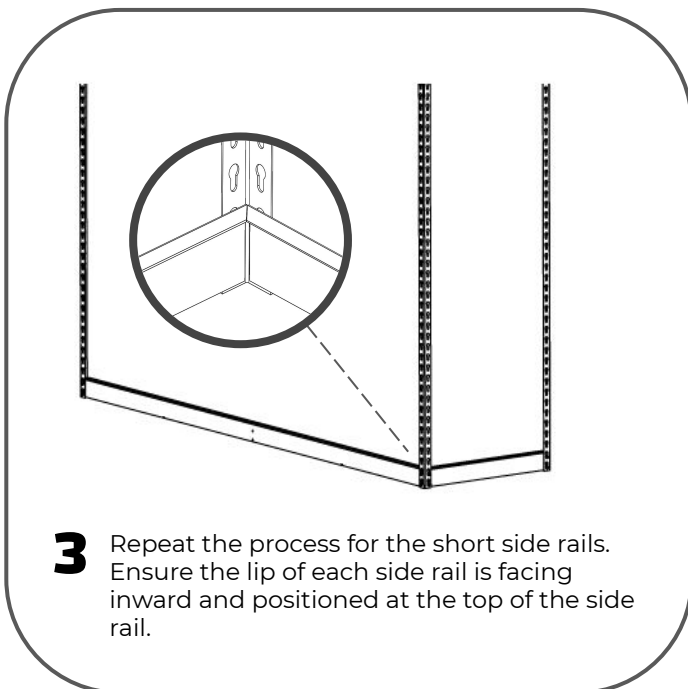
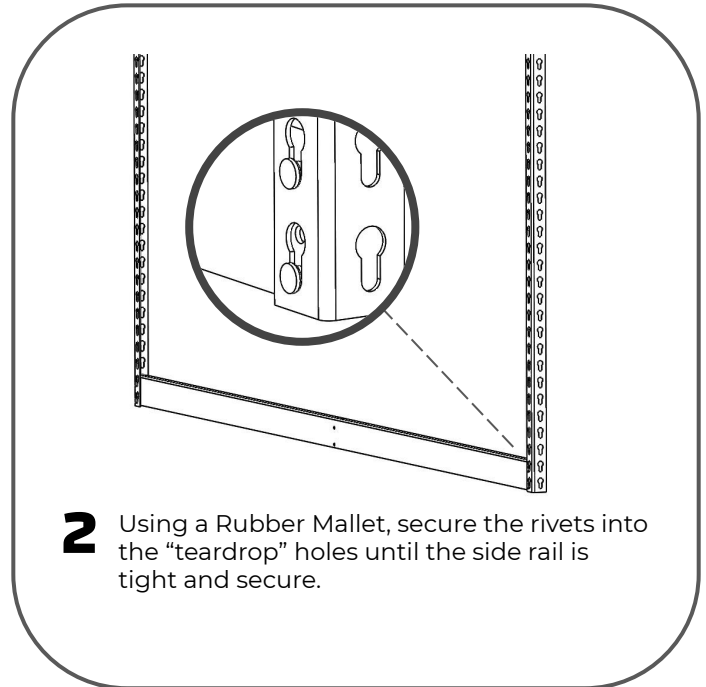
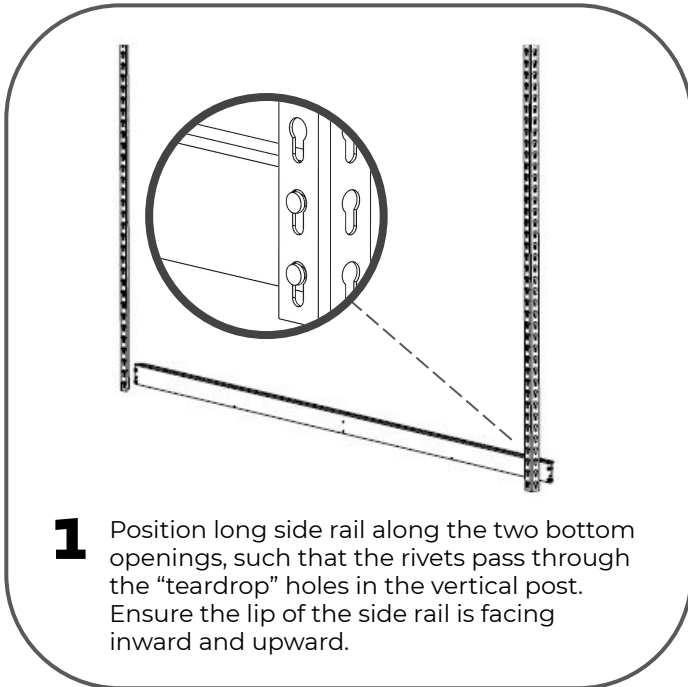


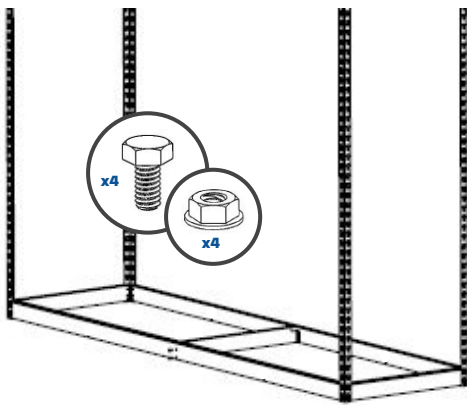
#10-24 Deck Clip Screw (x16)

Vertical Post Foot Caps

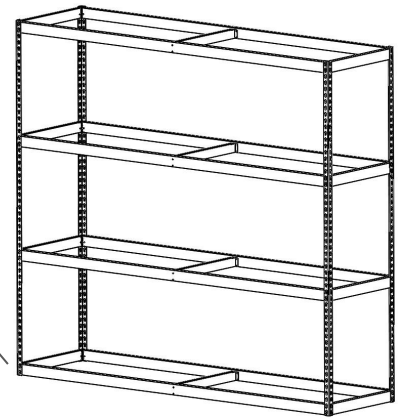
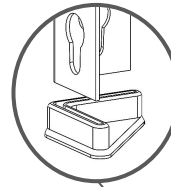


Foot Caps (x4)

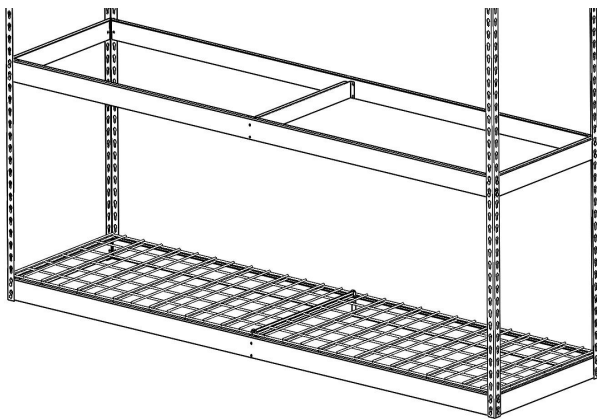




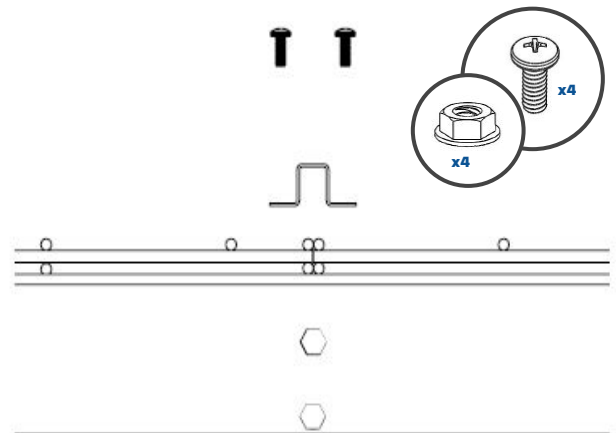
- 5** Position the center support between the two long side rails and align it with the center holes. Ensure the lip of the center support is positioned at the top. Secure the center support using four 1/4\"- 20 Hex Bolts and 1/4\"-20 Hex Nuts. *This step is not applicable for the 24\" x 48\" shelf.*



- 6** Repeat steps 1-5 until the whole frame of the rack is assembled. If using your vertical post foot caps, install them after the complete assembly of your frame.



- 7** Place wire decking units side by side onto the lips of the beams within each frame. **NOTE:** The 48\" shelving unit uses a single wire deck unit placed longways.



- 8** Using the wire decking brackets, #10-24 Deck Clip Screws, and #10-24 Hex Nuts, secure the wire decks for each level. *This step is not applicable for the 24\"x48\" shelf.*