

MAXJAX®

M7K Portable Mid-Rise Lift

Installation Manual

Manual No. 5900304 Rev. A3 - June 2022

Sheet 1 of 32 Copyright © 2022 BendPak Inc. All rights reserved.



*Original instructions in
the English language*

START HERE:

DANGERS, WARNINGS, CAUTIONS & LIABILITY



DANGER

Calls attention to an immediate hazard that will result in injury or death.



WARNING

Calls attention to a hazard or unsafe practice that could result in injury or death.



CAUTION

Calls attention to a hazard or unsafe practice that could result in minor personal injury, product, or property damage.

LIABILITY INFORMATION:

BendPak assumes no liability for damages resulting from:

- Use of the product for purposes other than those described in this manual.
- Modifications to the equipment without prior, written permission from BendPak Inc.
- Injury or death caused by modifying, disabling, overriding, or removing safety features.
- Damage to the equipment from external influences.
- Incorrect operation of the equipment.

IMPORTANT SAFETY INSTRUCTIONS:

- **Read all MaxJax manuals and guides thoroughly before installing, operating, servicing, or maintaining the Lift.**
- Do not install this equipment unless you have Automotive Lift installation training. BendPak recommends referring to the latest version of ANSI/ALI ALIS (Current Edition) Standard Safety Requirements for Installation and Service for more information about safely installing, using and servicing your Lift.
- Do not install this equipment without reading and understanding this installation manual, and the safety labels on the unit.
- Only fully trained personnel should be involved in installing this equipment. Pay attention at all times. Use appropriate tools and equipment. Stay clear of moving parts.
- You must wear OSHA-approved (publication 3151) personal protective equipment at all times when installing, using and maintaining, or repairing the Lift: leather gloves, steel toed work boots, eye protection, back belts, and hearing protection are mandatory.
- **SAVE THESE INSTRUCTIONS!**



WARNING

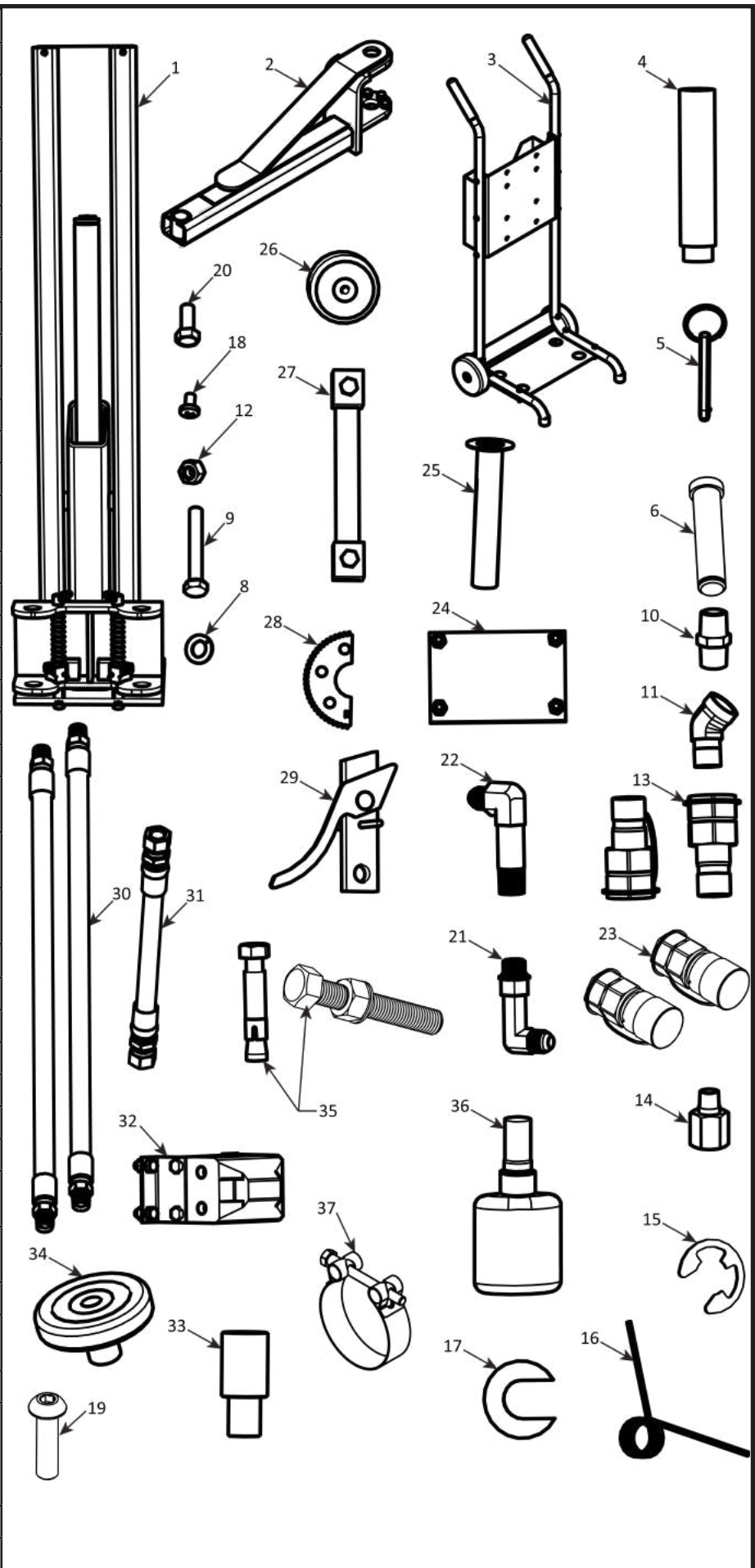
California Proposition 65: This product can expose you to chemicals including styrene and vinyl chloride which are on a list of over 900 chemicals identified by the State of California to cause birth defects or reproductive harm. **ALWAYS** use this product in accordance with MaxJax's instructions. For more information go to www.P65Warnings.ca.gov.



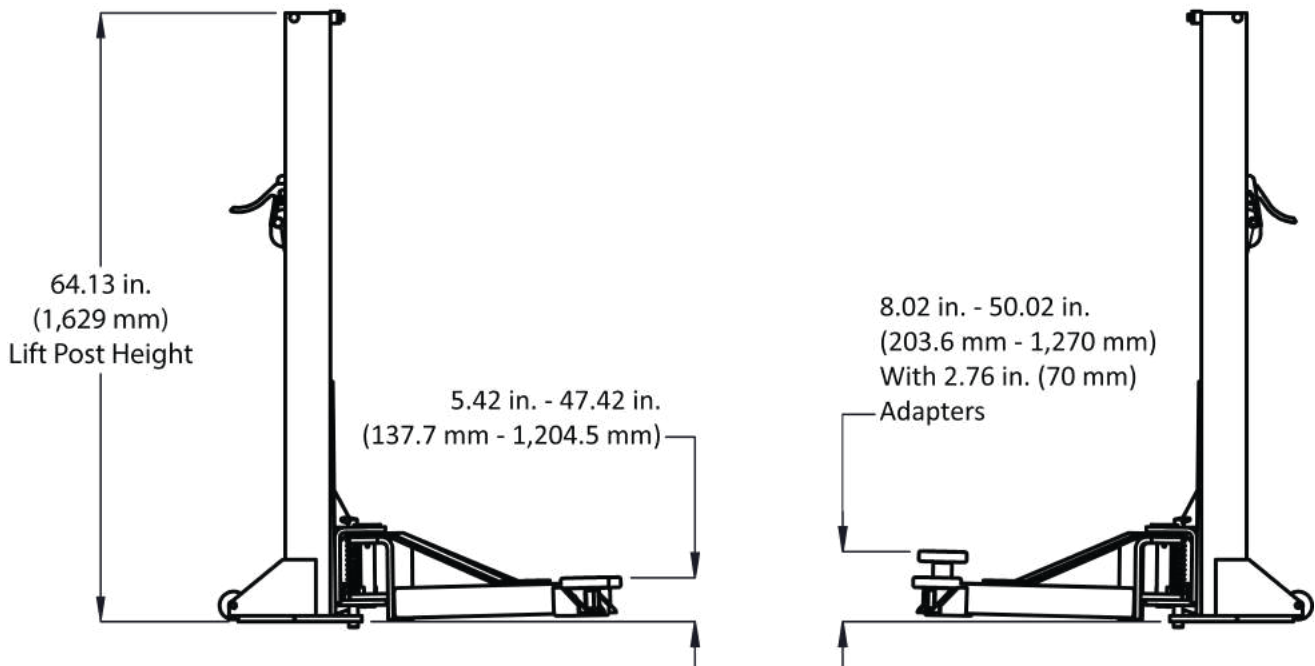
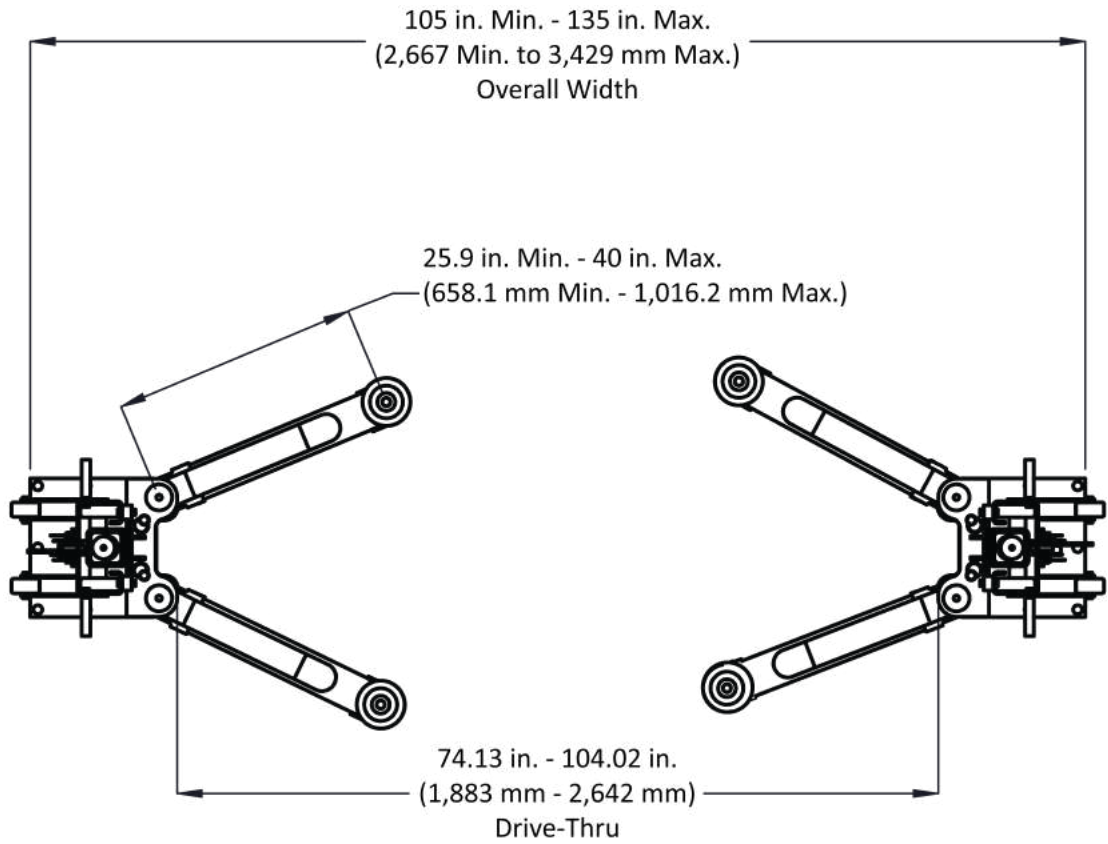
WARNING

Use only the factory-supplied parts that came with your Lift. If you use parts from a different source, you void your warranty and compromise the safety of everyone who installs or uses the Lift. If you are missing parts, visit maxjax.com/support or call (844) 629-5291.

Parts List			
No.	Part No.	Description	Qty
1	5215935	Post Assy.	2
2	5215938	Lift Arm Assy.	4
3	5215936	Power Unit Cart Assy.	1
Parts Bag			
4	5505071	Post Handle	4
5	5746491	Release Pin	4
6	5505076	Safety Clevis Pin	2
7	5530738	M10 x 25 mm Bolt	4
8	5545200	M10 Washer	4
9	5530377	M8 x 55 mm Bolt	4
10	5550077	Nipple Fitting	2
11	5550076	45° Elbow Fitting	2
12	5535001	M8 Nut	12
13	5550014	Quick-Connect Fitting Male	2
14	5550209	Straight Fitting	2
15	5540109	E-Ring 16mm	2
16	5540075	Torsion Spring	4
17	5545535	Shim	21
18	5530261	M6 x 10 Screw	4
19	5530412	Anchor Plug	10
20	5530304	M8 x 20 mm Bolt	8
21	5550074	Long 90° Fitting (JIC x ORB)	1
22	5550170	Long 90° Fitting (JIC x NPTF)	1
23	5550015	Quick-Conn. Fitting Female	2
Parts Box			
24	5715003	Vibration Dampener	1
25	5601488	Lift Head Pin	4
26	5575061	Post Wheel	4
27	5601487	Post Strap Assembly	2
28	5737228	Arm Restraint Gear	4
29	5210236	Safety Assemblies	4
30	5570241	Long Hydraulic Hose Assy.	2
31	5570242	Short Hydraulic Hose Assy.	1
32	5590104	Hydraulic Flow Divider	1
33	5746390	Medium Lift Pad Extension	4
34	5215507	Round Lift Pad	4
35	5215911	Anchor Bolt Kit (10 Anchors, Bolts, Nuts & Washers, 1 Setting Nut and Bolt)	1
36	5580012	PTFE Liquid Sealant	1
37	5701242	Cylinder Clamp	2



OUTLINE DRAWING



STEP 1: LOCATION, CLEARANCES AND CHALK LINES

Location

When selecting a location for your MaxJax, keep the following in mind:

1. The MaxJax is approved for indoor installations only. ***OUTDOOR INSTALLATIONS ARE PROHIBITED!***
2. **Power** - The Lift requires 110 VAC or 220 VAC electrical power protected by an appropriate circuit breaker or fuse. A licensed Electrician is required to provide any electrical work in accordance with local, state and national Electrical Codes.
3. It is the installer's responsibility to consult qualified personnel to address any special local, state and national structural and seismic anchoring requirements specified by any other agencies and codes such as the Uniform Building Code (UBC) and/or International Building Code (IBC).
4. **Architectural Plans** - Consult the architectural plans for the desired location. Make sure there are no contradictions between what you want to do and what the plans show. Do not install on a secondary floor level or any ground floor with a basement beneath without consulting the building Architect and acquiring the approval of BendPak Inc.
5. Never mount the MaxJax on hand-mixed Concrete.
6. **Shimming** - If the concrete floor is not completely level, you can use the shims under the Base of the Posts, as required to level the Lift. Do not exceed 1/8 in. (3.1 mm) in shim height.
7. **Floor**
 - a. Visually inspect and reject any installation site with cracked or defective concrete.
 - b. Only install the Lift on a flat concrete floor with no more than 3 degrees of slope;
 - b. Do **not** install on asphalt or any other surface.
 - c. No MaxJax Anchors are permitted within 6 in. (152 mm) of expansion seams, control joints or other inconsistencies in the concrete.
 - d. Never cut or drill into a Post-Tensioned Concrete Slab. Seek qualified personnel to identify the cable locations.

Concrete Specifications:

Depth: 4.25 in. (108 mm) minimum

Compressive Strength Rating: 3,000 psi minimum

Cure: 28 Days minimum

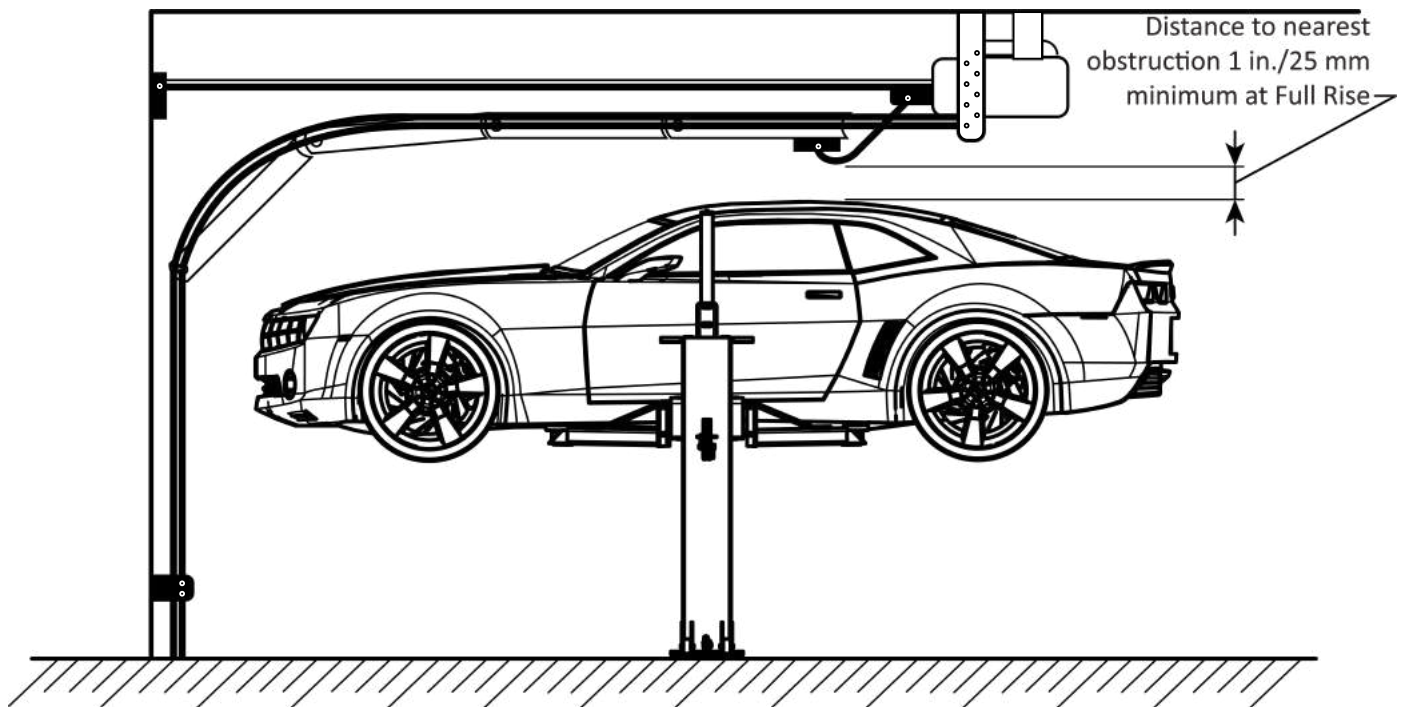
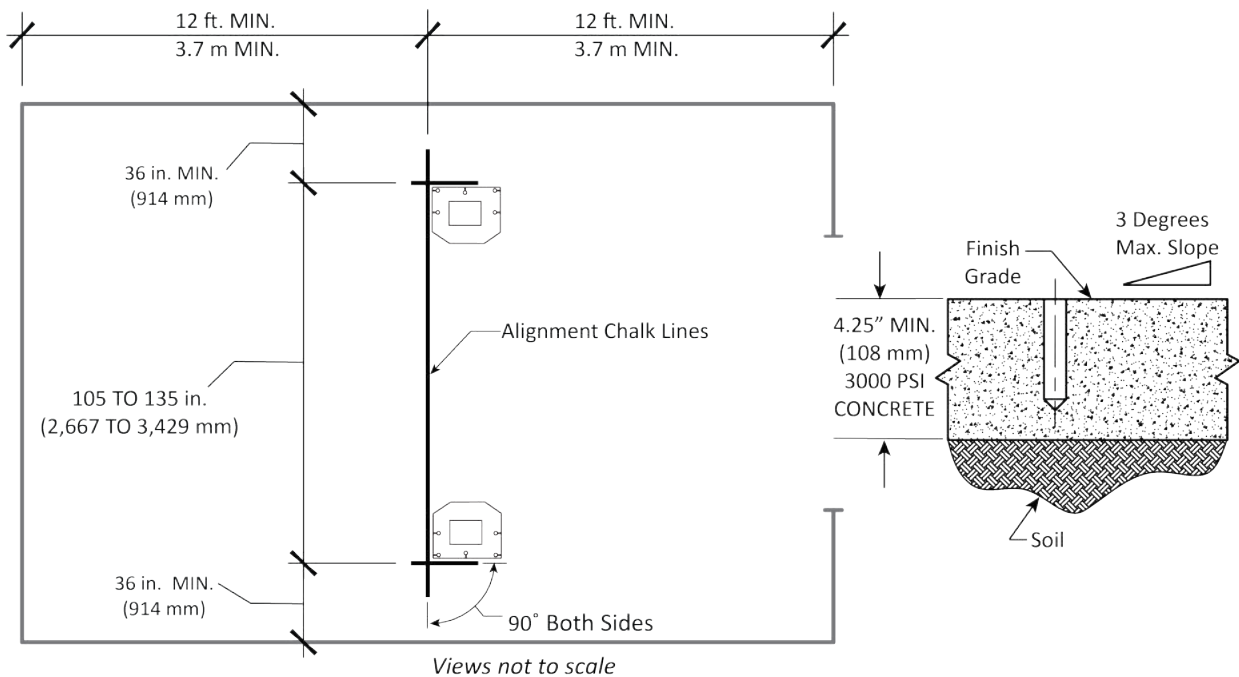
8. **Overhead Clearance** - Check above the proposed Lift location for building supports, heating ducts, electrical lines, low ceilings, and so on. There must be vertical clearance above the vehicle(s) being lifted. When the Lift is at its maximum rise a required minimum clearance of 1 in. (25 mm) above the tallest vehicle you will lift must be present. See figure in Step 1a.
9. **Side Clearance** - 36 in (914 mm) distance to nearest obstruction. See figure in Step 1a.
10. **Front and rear clearance** - 12 ft. (3,658 mm) distance to nearest obstruction. See figure in Step 1a.

STEP 1a: LOCATION, CLEARANCES AND CHALK LINES

Clearances and Chalk Lines

- Measure the Vehicles you will be lifting to determine the width between the MaxJax Posts.
- Generally, Vehicles using the MaxJax range between 105 inches and 135 inches. (2,667 to 3,429 mm)
- Create an alignment chalk line on the floor at the front of the Lift.
- Create two perpendicular lines at 90° to the alignment Chalk Line.
These perpendicular lines will generally be between 105 inches and 135 inches apart. (2,667 to 3,429 mm)
- Review your dimensions and chalk lines to verify the layout is square and located correctly.

NOTE: Wide or narrow installations are possible, depending on the Vehicles you will be lifting. You may choose to install additional Anchor Bolt locations for multiple Lift configurations. Additional Anchor bolts available for purchase separately. (SKU 5215911)



STEP 2: TOOLS AND INSTALLATION CHECKLIST

Tools Checklist

- Two people are required for assembly
- Chalk Line
- Tape Measure
- Utility Knife
- Screwdriver Set, Slot and Phillips
- Hammer
- 4-Foot (1,219 mm) Level
- Crow bar
- Metric open-end wrenches
- Metric socket set
- Metric Hex Keys
- Torque Wrench
- Rotary Hammer Drill
- 7/8 in. (22.22 mm) Dia. Concrete Drill Bit
- Forklift or Shop Crane
- Snap Ring Pliers
- Funnel - Hydraulic Fluid
- Nylon Brush (Anchor Hole cleaning)
- Compressed Air
- Vacuum Cleaner
- 6-foot (1,829 mm) Ladder
- White Lithium Grease

Personal Safety Equipment

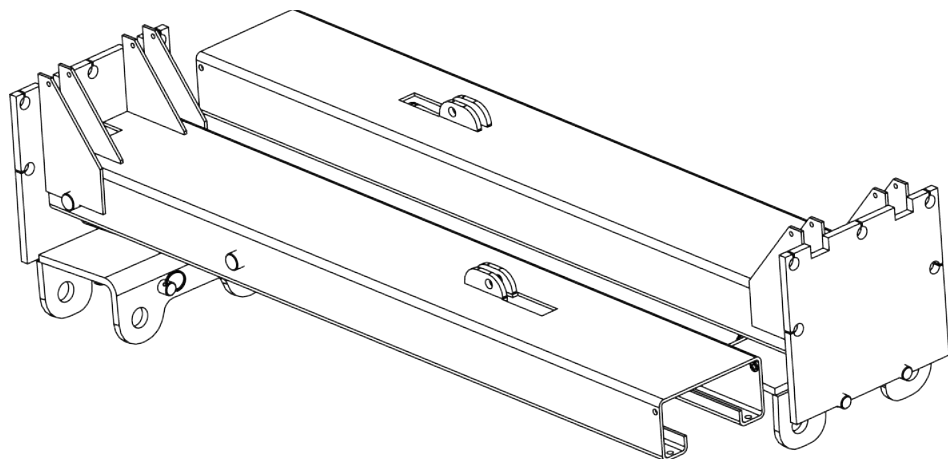
- Safety Glasses
- Steel Toed Boots
- Leather Gloves

Installation Checklist

1. Make sure you have the necessary tools.
2. Select the Installation Site.
3. Check Concrete condition and surface slope.
4. Check Clearances, overhead and sides.
5. Create Chalk Line Guides.
6. Unload and Unpack MaxJax components.
7. Prepare the Hydraulic Cylinders.
8. Secure the Cylinder Clamp at the top of the Lift Head.
9. Prepare the Lift Posts.
10. Install the Safety Assemblies.
11. Drill and Anchor the Lift Posts.
12. Assemble the Power Unit Cart.
13. Attach the Power Unit and Flow Divider.
14. Connect the Flow Divider.
15. Install the Hydraulic Hoses.
16. Connect the Power Unit.
17. Install the Lift Arms.
18. Lubricate the Lift.
19. Bleed the Hydraulic System.
20. Test the Lift.

STEP 3: UNLOAD AND UNPACK

Lifting Hazard - Heavy Objects. Single person lifting could cause injury. Seek assistance when moving or lifting.



CAUTION

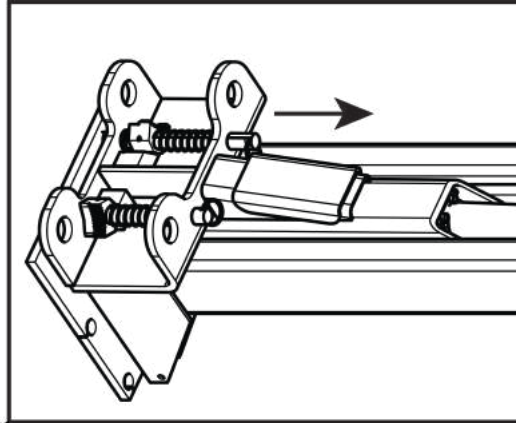
Use caution removing the Lift from the shipping material; the Posts can potentially slide and cause injury. Make sure the Posts are securely held by a Forklift or other lifting device.

STEP 4: PREPARING THE HYDRAULIC CYLINDERS

Complete steps 4a through 4f on both Post Assemblies (5215935) and Cylinders.

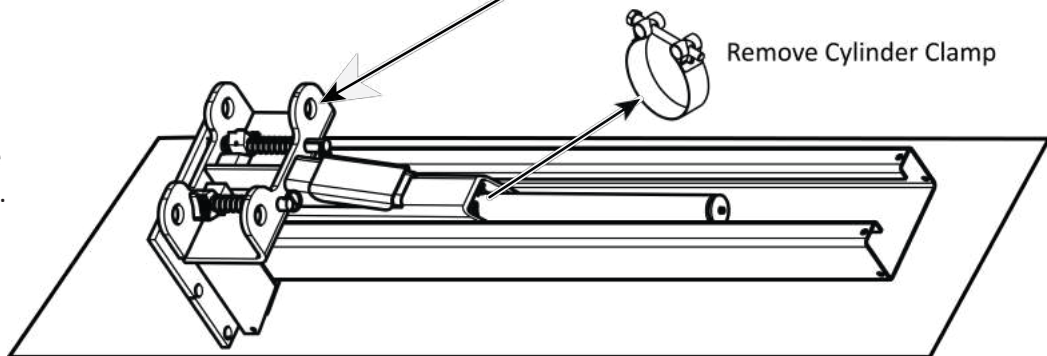
▲ WARNING

Both Posts must be laid on the floor for this procedure. Failure to do so can lead to product damage or serious injury to anyone near the Lift.



STEP 4a

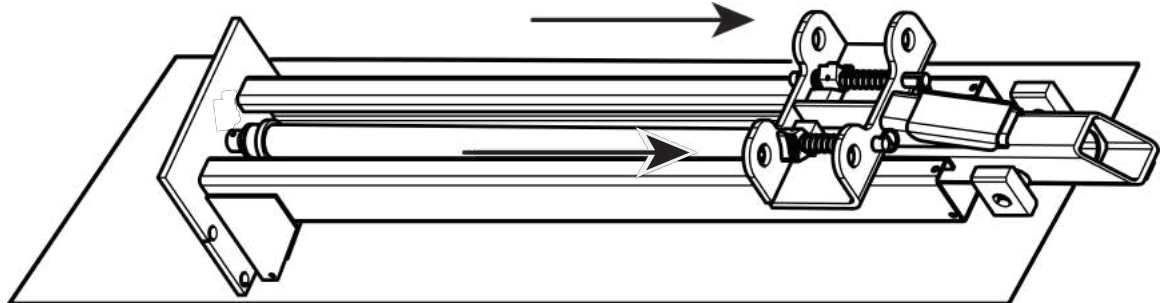
Arrange both Posts on the floor to access the Lift Head, then remove the Cylinder Clamp. Store the Clamp safely, it will be installed later in the procedure.



STEP 4b

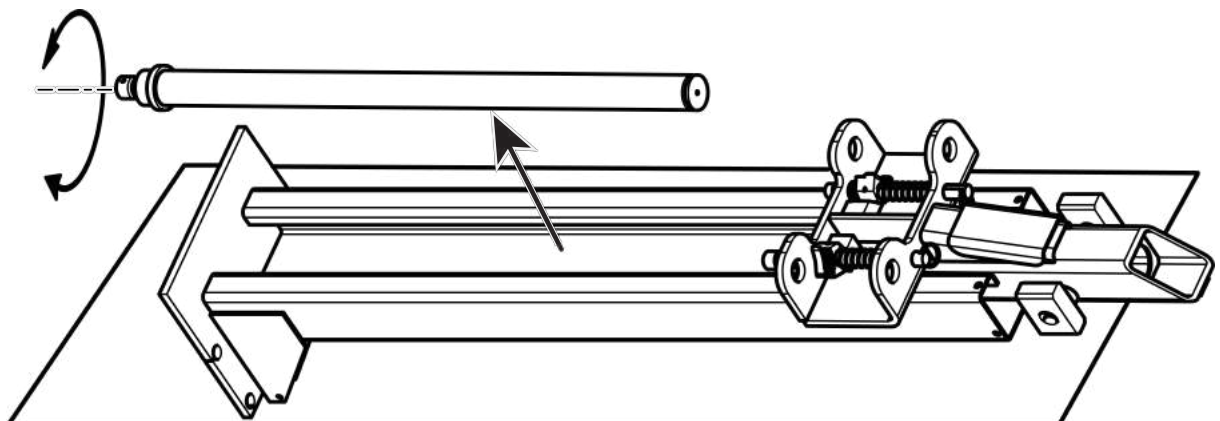
Slide the Lift Head up to access the Lift Cylinder.

Do **not** slide the Lift Head out of the Lift Post.



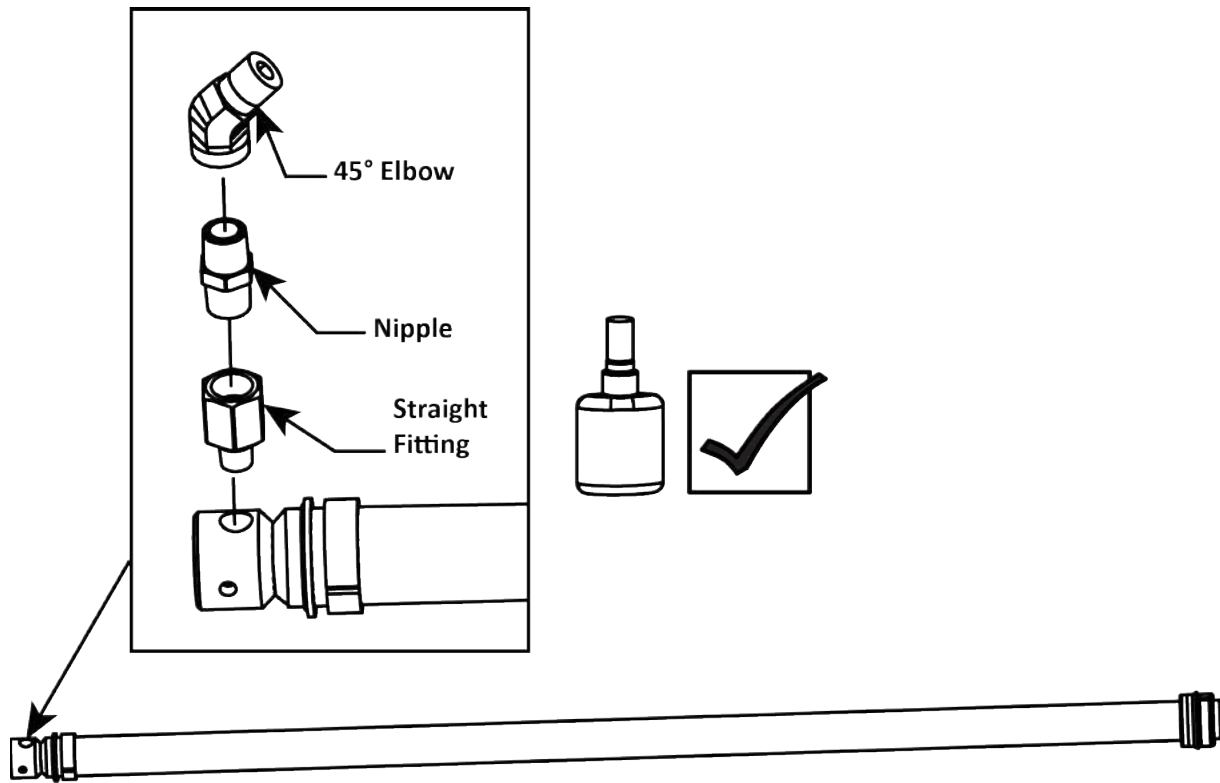
STEP 4c

Remove the Cylinder and rotate to access the Hydraulic Input Port.



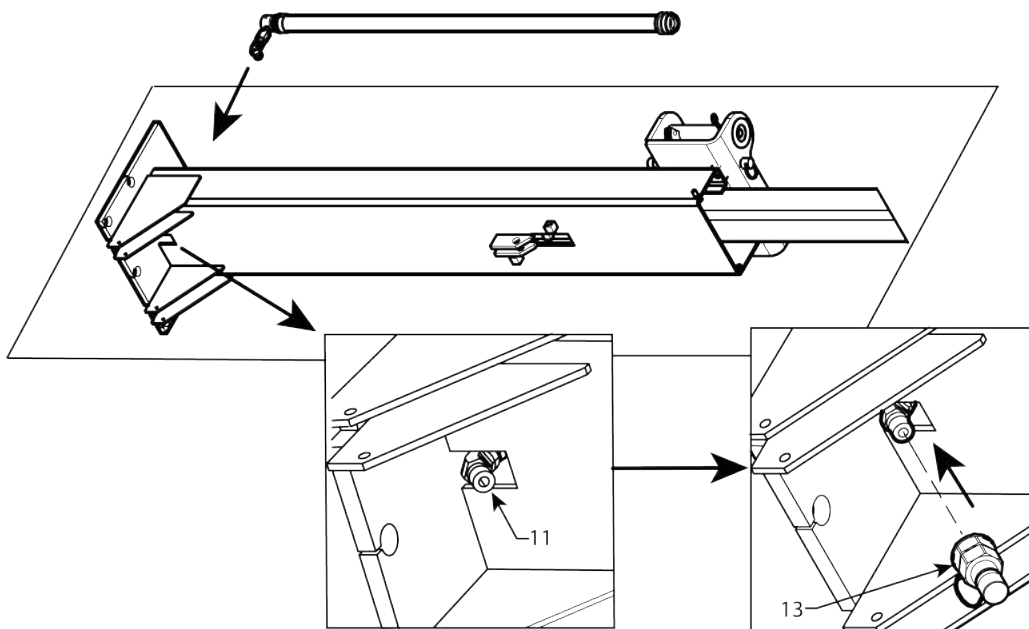
STEP 4d

Remove the Shipping Plug and install the Hydraulic Fittings on the Cylinder Input Port. Use PTFE Thread Sealant on all four Fittings. **Important:** Note the orientation of the 45-Degree Elbow.



STEP 4e

Return the Cylinder to the Post inserting the Fittings into the opening at the back of the Post. Rotate the Post to access the Fitting on the back of the Post and install the Male Quick-Connect Fitting using the PTFE Thread Sealant.



STEP 4f

Slide Block Orientation

Verify the (4) four Slide Blocks (5716055) are installed on the Lift Head assembly (521939) and oriented in the Lift Post as illustrated below with the long side closer to the Lift Arms!

If the Slide Blocks are oriented incorrectly:

1. Lay the Lift post on the ground or on saw horses.
2. Move the Lift Head up and out of the Post to correct the Slide Block Position as illustrated.
3. Return the Lift Head to its lowest position in the Lift Post.



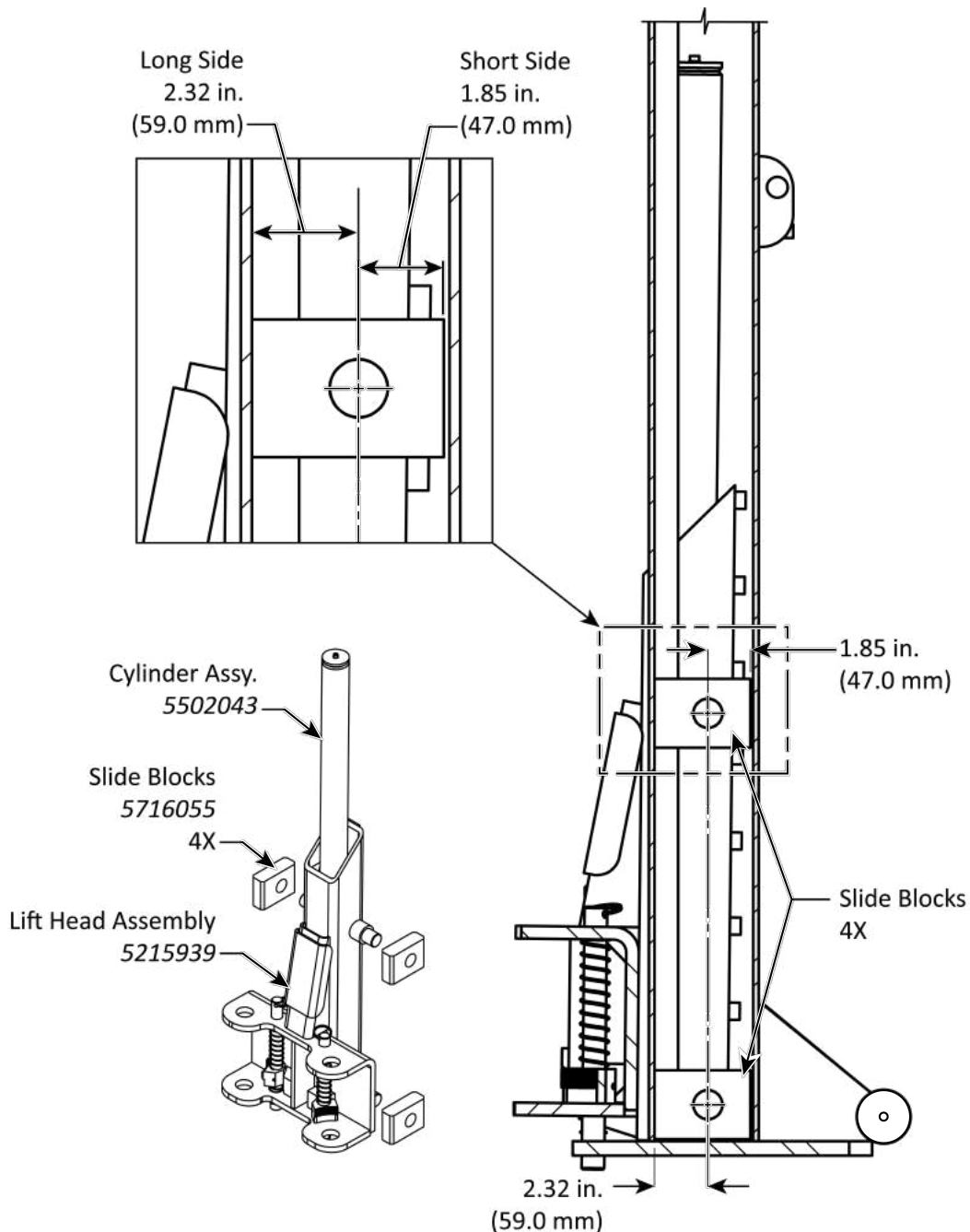
WARNING

Do not operate the Lift, unless the Slide Blocks are oriented as detailed below. Damage to the Lift and personal injury is possible.



WARNING

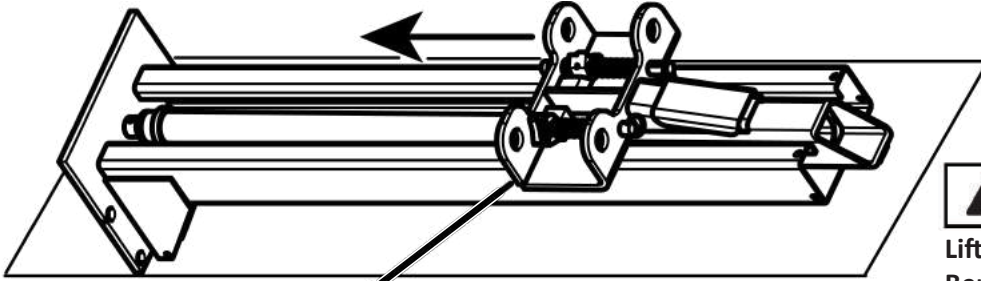
The Lift Head and Post are heavy. If removing the Lift Head to reorient the Slide Blocks, seek assistance. Single person lifting could cause injury.



Section view, components removed for clarity. Not to scale.

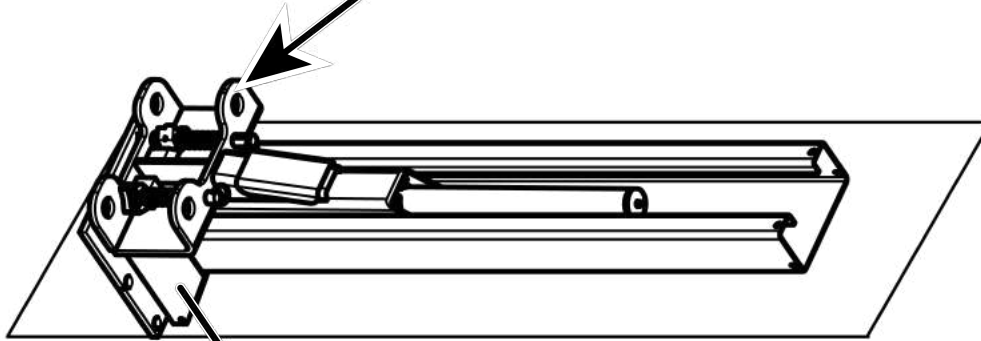
STEP 4g

1. Return the Lift Head to the bottom of the Lift Post, then stand the Lift Post up.
2. Install the Cylinder Clamp (5701678) on **BOTH** Cylinders at the top of the Lift Head.



⚠ WARNING

Lift Posts are very heavy. BendPak recommends one person hold the Post up while the other carefully inserts the Hydraulic Cylinder into the Lift Head, and then slides the Lift Head all the way down to the Base Plate.



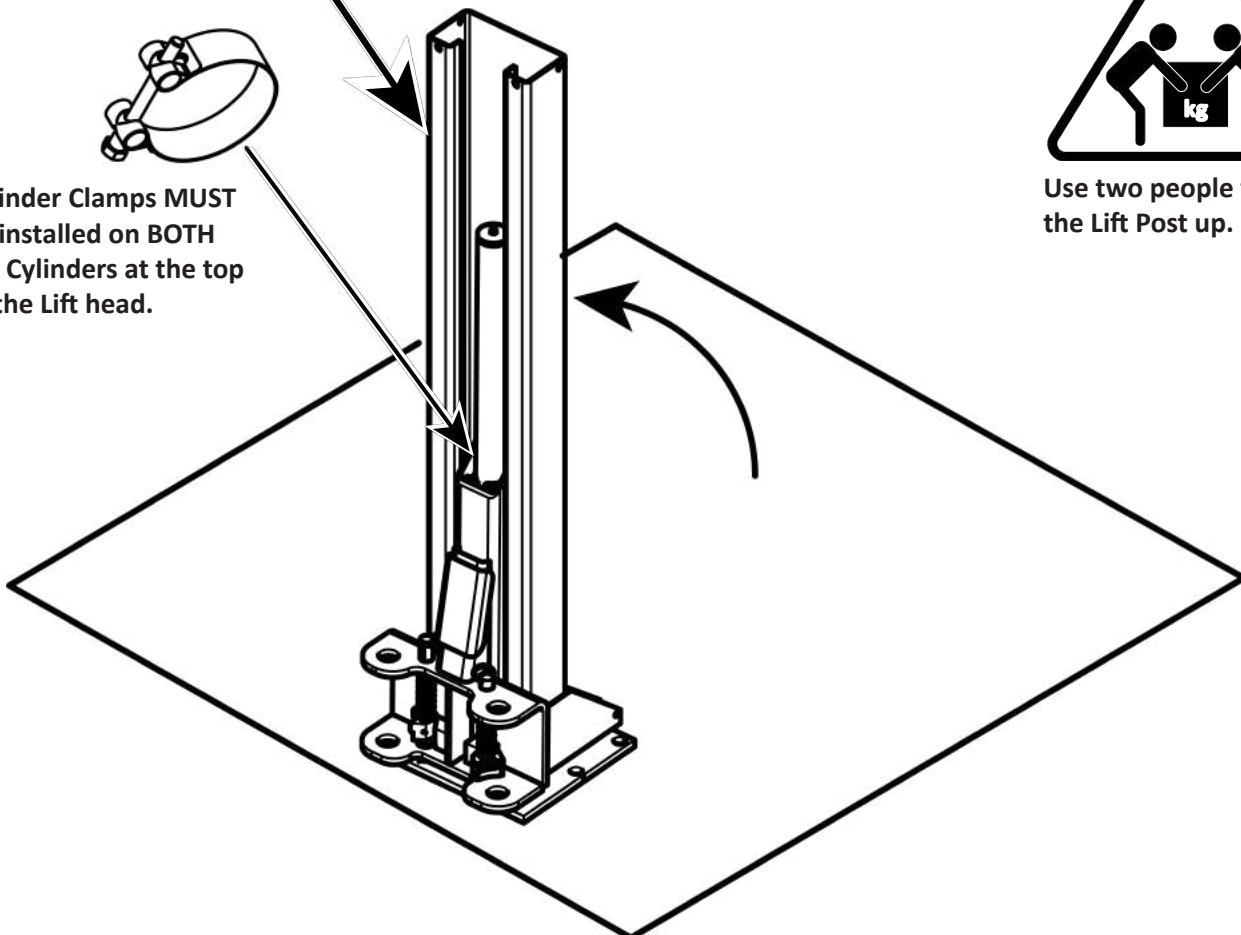
⚠ WARNING



Use two people to stand the Lift Post up.

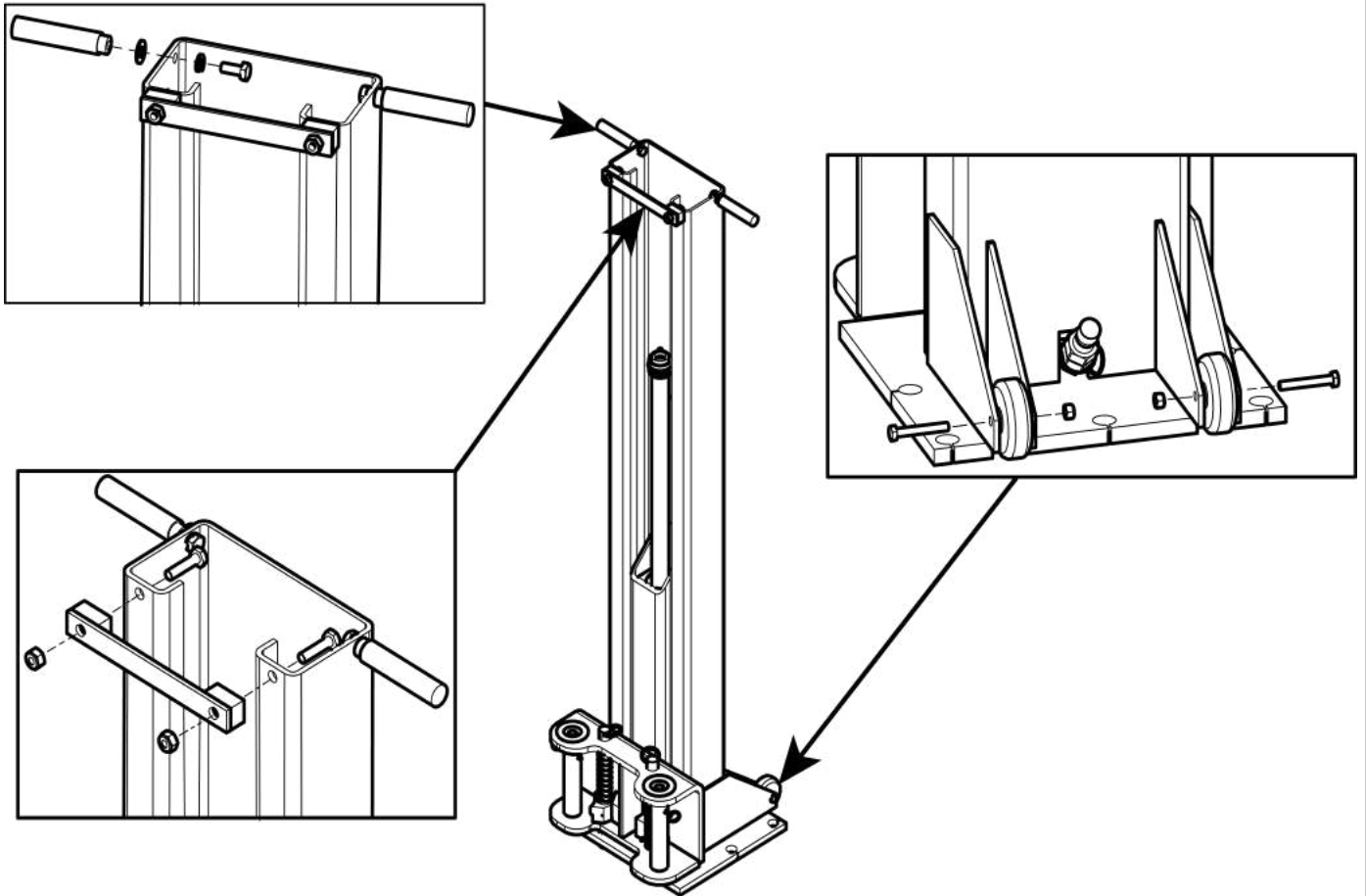
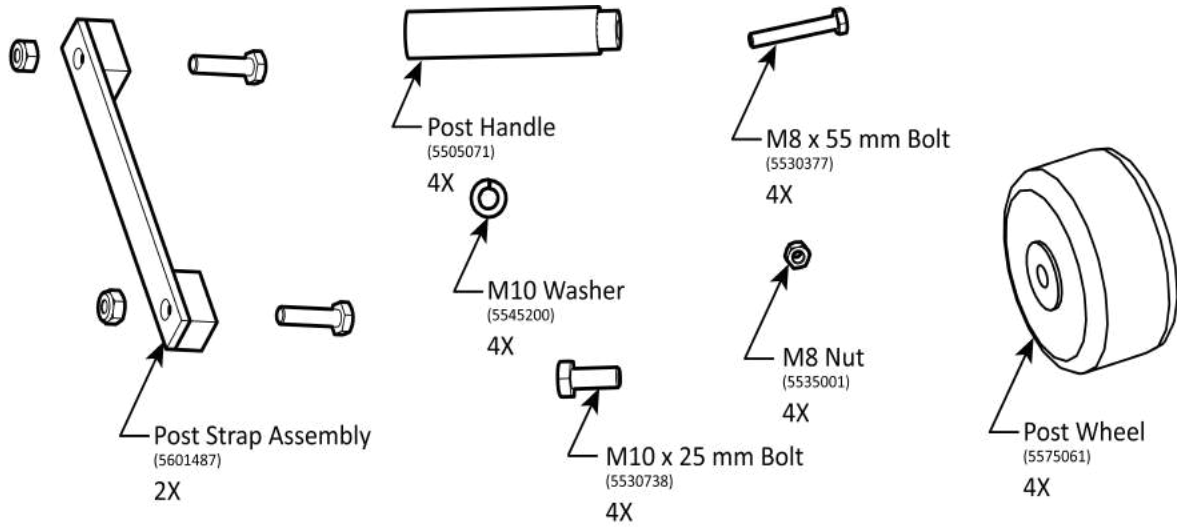


Cylinder Clamps **MUST** be installed on **BOTH** Lift Cylinders at the top of the Lift head.



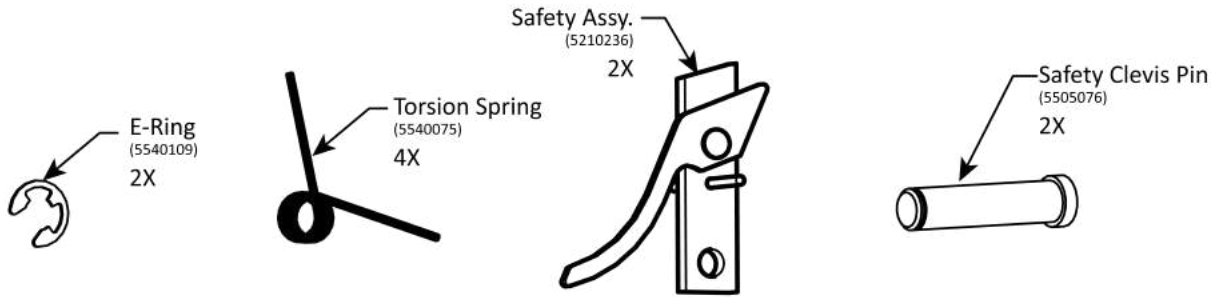
STEP 5: PREPARE THE LIFT POSTS

Install Post Wheels, Post Straps, and Post Handles on **both** Post Assemblies, Item 1 (5215935).

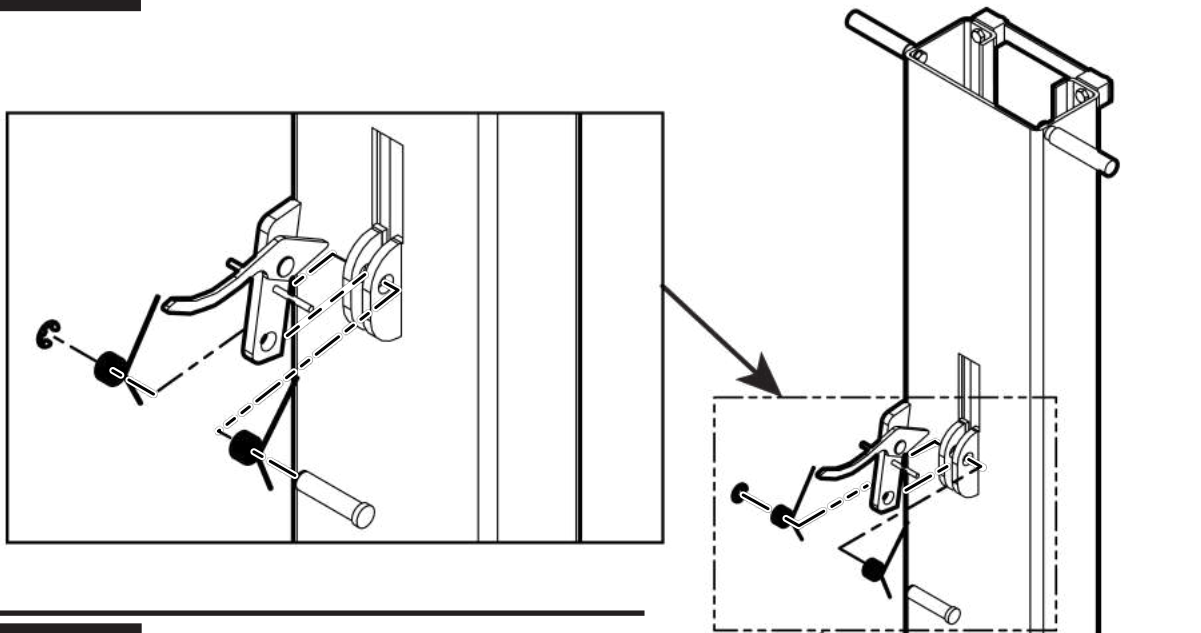


STEP 6: INSTALL THE SAFETY ASSEMBLIES

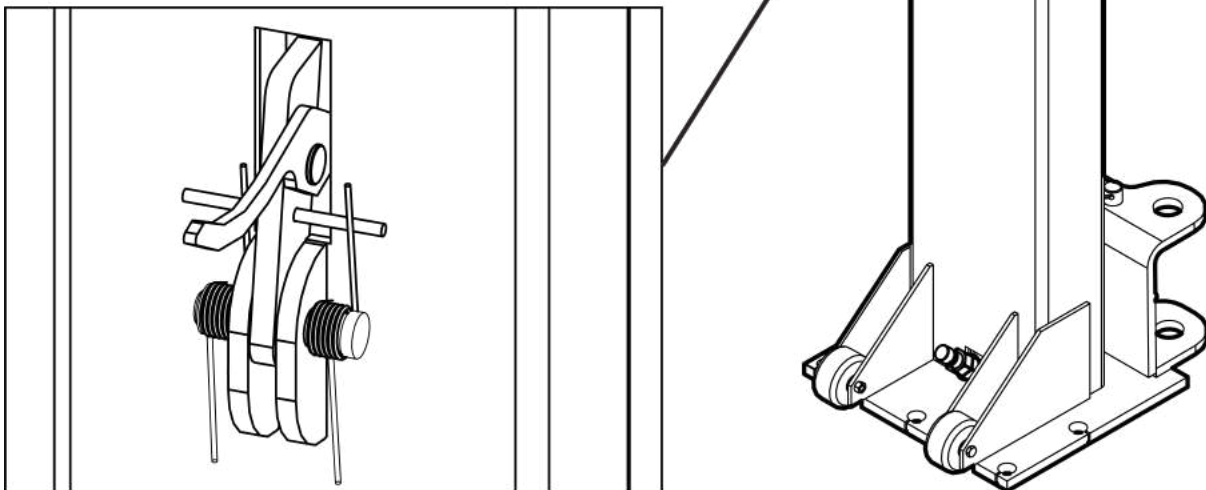
See the *CE Safety Release Kit Section for MaxJax Units requiring CE compliance. If CE Compliance is not a requirement, complete Steps 6a and b. Install Safety Assemblies on **both** Post Assemblies (Item 1). Retrieve from the **Parts Bag** and the **Parts Box**:*



STEP 6a



STEP 6b



STEP 7: ANCHOR THE LIFT POSTS

⚠ WARNING

You must inspect all Drop-in Anchors for proper setting and /or damage each time the Lift is re-installed. Do not re-install the Lift if any of the Drop-in Anchors are defective or the concrete is cracked or defective.

⚠ WARNING

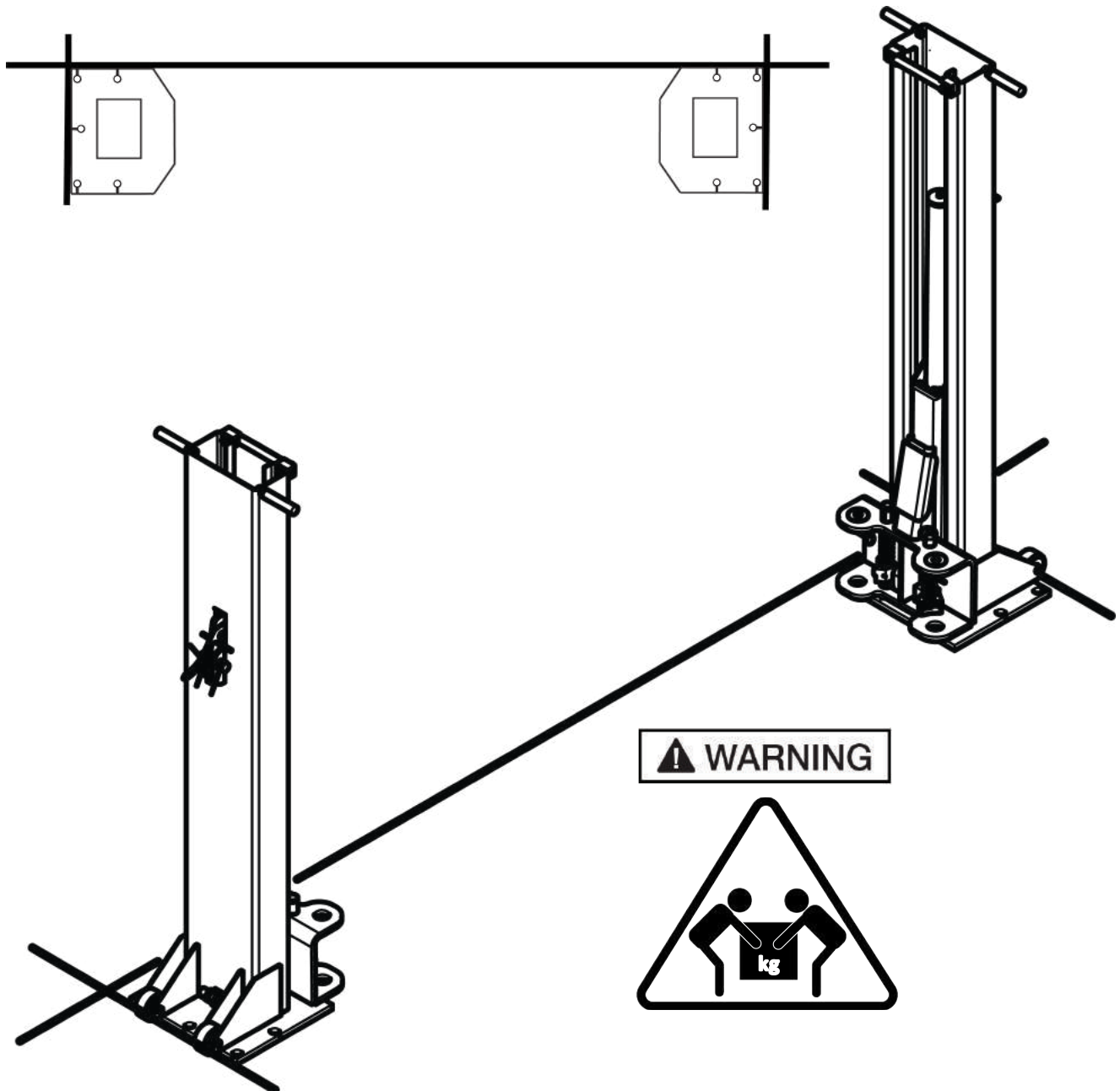
Use only the Anchor Bolts supplied with your Lift. If you use components from a different source, you void your warranty and compromise the safety of everyone who installs or operates the Lift.

⚠ WARNING

Lift Buyers are responsible for conforming to all regional, structural, and seismic anchoring requirements specified by any other agencies and/or local codes, such as the Uniform Building Code and/or International Building Code. Refer to the minimum concrete specification in Step 1.

STEP 7a

Move the Lift Post Assemblies to the chalk lines created in Step 1 and verify your measurements.



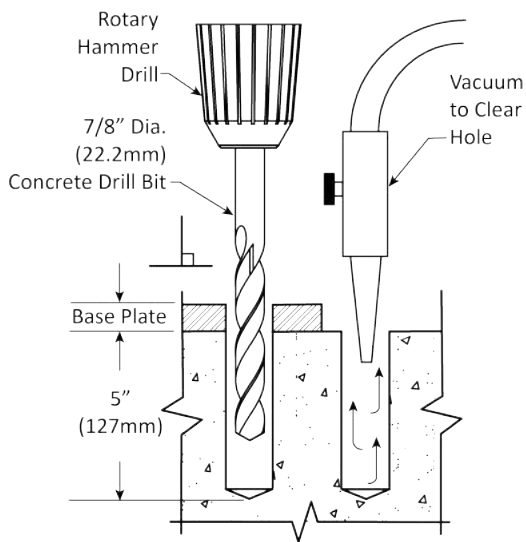
STEP 7b

⚠ WARNING



Safety glasses required!

1. Using the Post assembly Base Plates as guides, Drill a minimum of **5 inches** deep, perpendicular to the concrete surface using a 7/8 in. Concrete drill bit and a rotary hammer drill. **NOTE:** The drill will break through the bottom of a 4.25 in. Concrete slab. This is an approved practice with these anchors.
2. Do not ream or allow the drill to wobble. Use caution to not move the posts while drilling.
3. After drilling all 10 holes, move the Posts away and clean the debris from the holes using a vacuum or compressed air and a nylon brush.



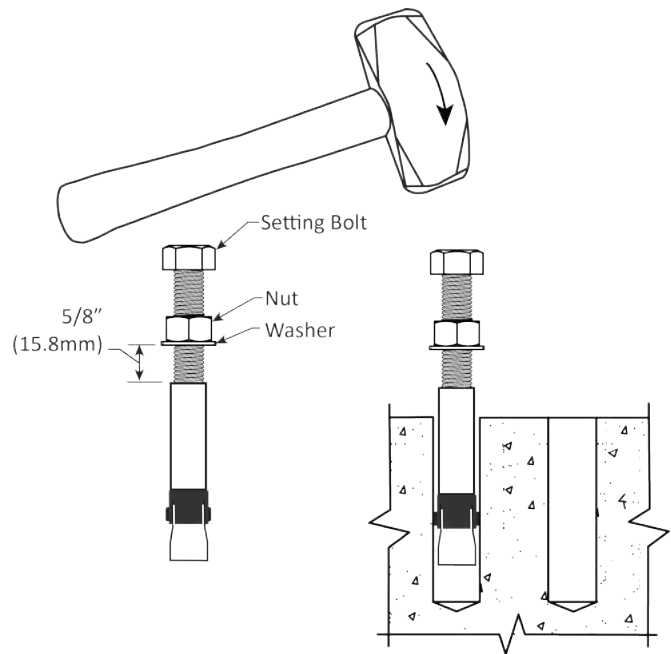
STEP 7c

⚠ WARNING



Safety glasses required!

1. From the Anchor Bolt Kit (5215911), fully thread the 5/8-11 x 4" Setting Bolt (5530405) with a Washer and Nut into the anchor.
2. Set the distance between the top of the Anchor and the bottom of the Washer to 5/8 in. (15.8 mm).
3. Place the Anchor into the hole and hammer downward on the bolt head until the Nut and Washer are flush with the concrete.

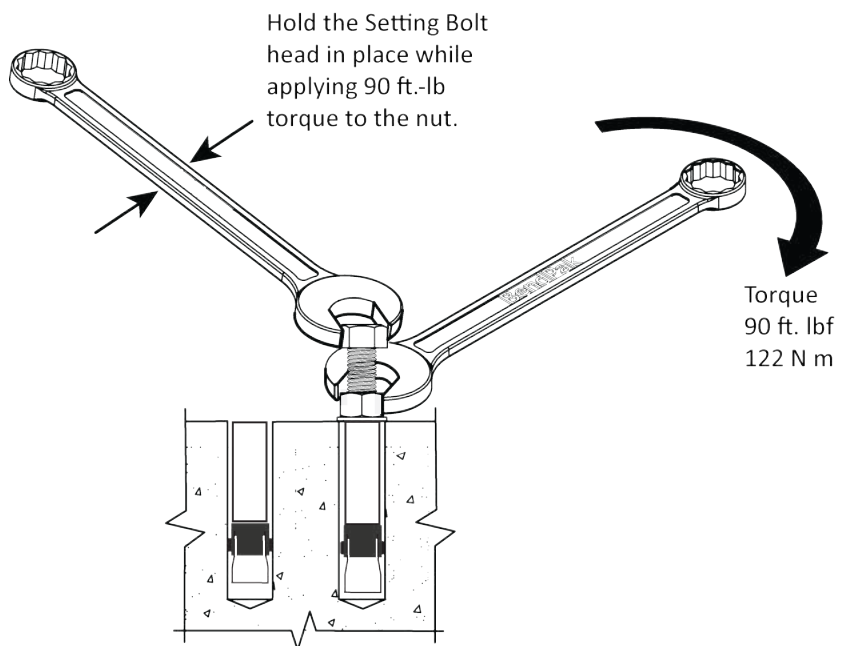


STEP 7d

1. To set the Anchor, hold the Setting Bolt Head in place while applying 90 ft. lbf torque to the Nut.
2. After setting the Anchor, remove the Setting Bolt with Nut and Washer.
3. Clear the hole of debris using compressed air or a vacuum and a stiff nylon brush.

⚠ WARNING

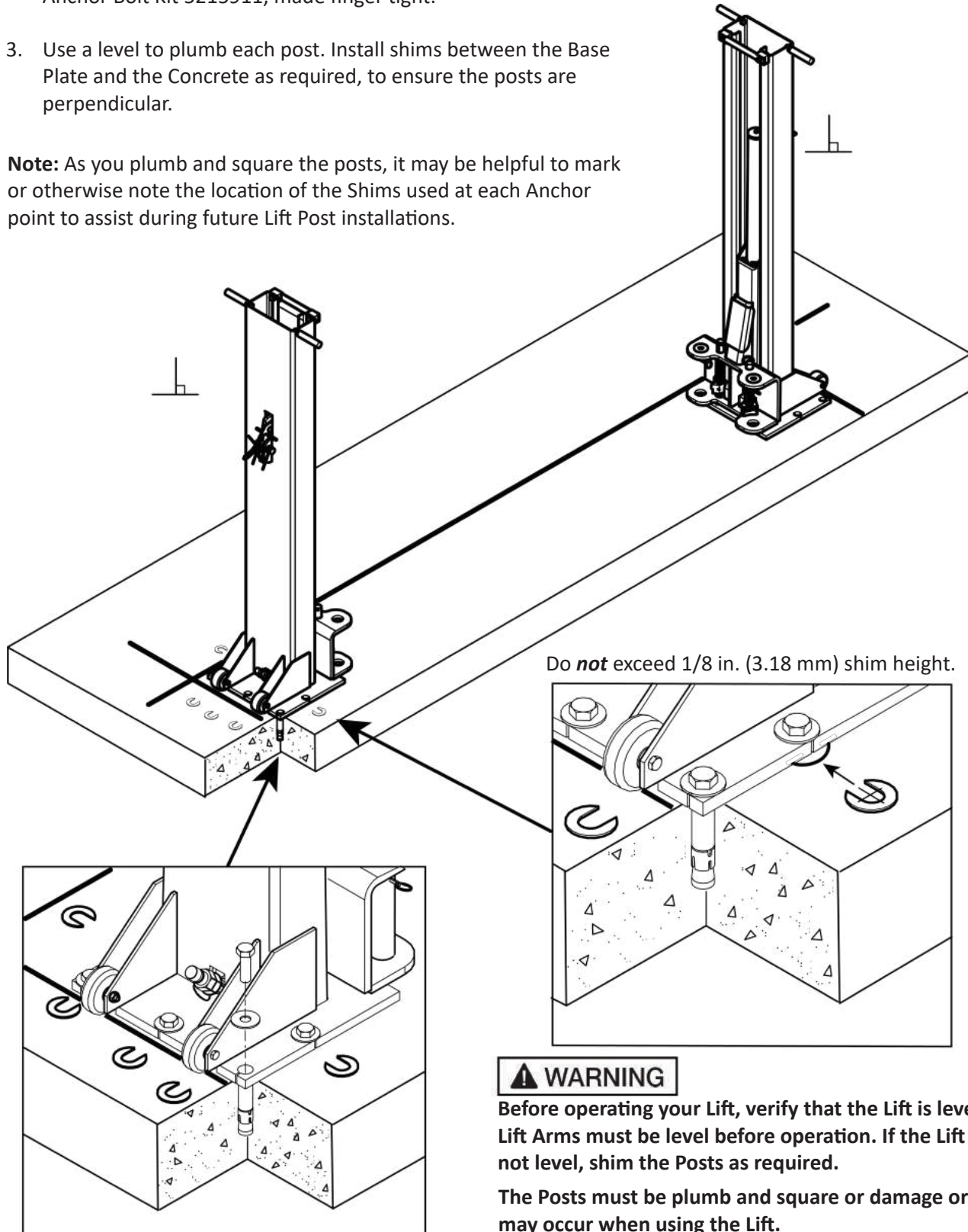
Safety glasses required!



STEP 7e:

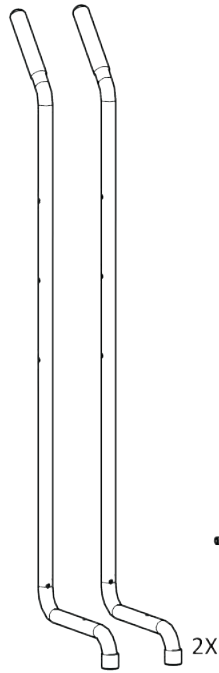
1. Clean and remove any debris from all ten Anchors prior to attempting to thread a fastener into them.
2. Install both Posts using the 5/8 x 2" Bolts and Washers from the Anchor Bolt Kit 5215911, made finger tight.
3. Use a level to plumb each post. Install shims between the Base Plate and the Concrete as required, to ensure the posts are perpendicular.

Note: As you plumb and square the posts, it may be helpful to mark or otherwise note the location of the Shims used at each Anchor point to assist during future Lift Post installations.

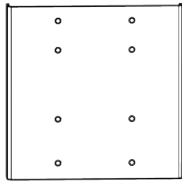


STEP 8: ASSEMBLE THE POWER CART

Retrieve the Power Unit Cart components and assemble.

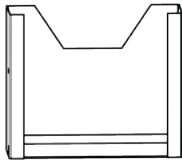


Handle
(5755171)



Support Plate
(5737162)

1X



Storage Box
(5601474)

1X



Bottom Plate
(5601535)

1X



2X

E Ring
(5540113)



4X

M12 Washer
(5545141)



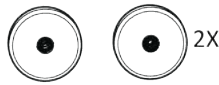
12X

M6 Hex Nut
(5535357)



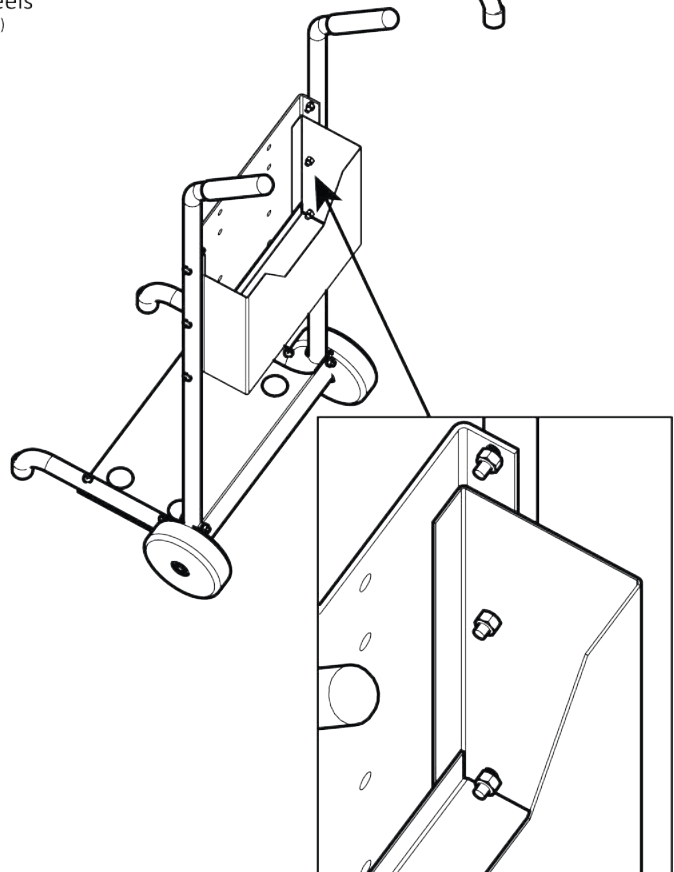
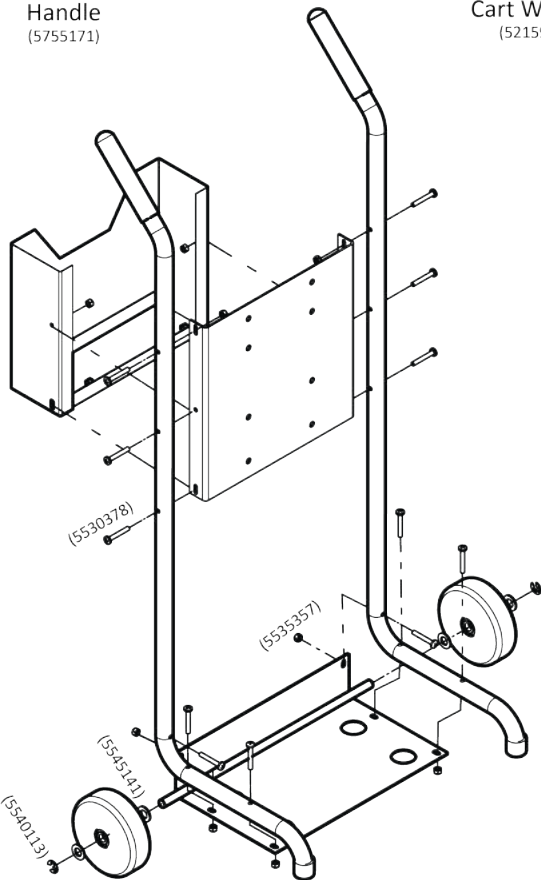
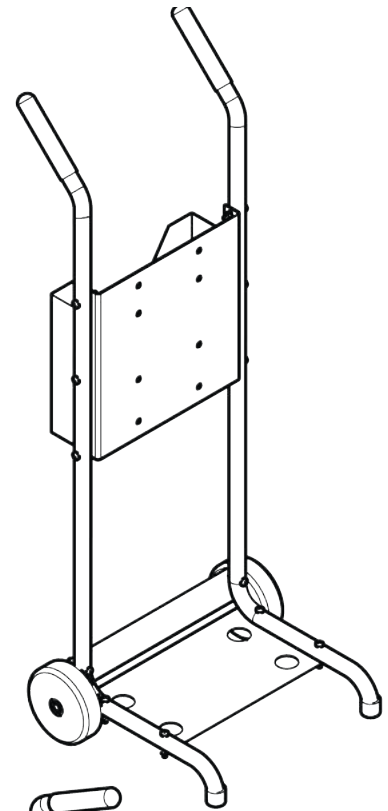
12X

M6 Screw
(5530378)



2X

Cart Wheels
(5215970)



STEP 9: ATTACH THE POWER UNIT AND THE FLOW DIVIDER

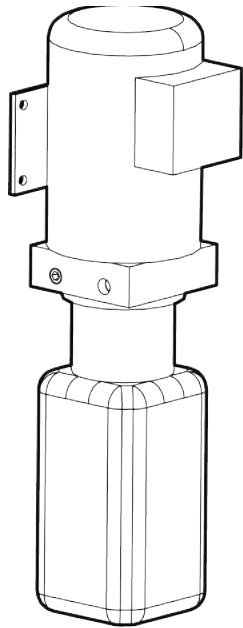
Retrieve and assemble the components below from the **Parts Box** and the **Parts Bag**.

CAUTION

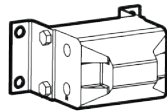
The Power Unit is *heavy*. MaxJax recommends having one person hold the Power Unit while a second person bolts it onto the Cart.

WARNING

Orient the Flow Divider so that the IN Port is on the *lower left side*. The Lift will not function correctly if the Flow Divider is installed incorrectly.



Power Unit
1X



Flow Divider
(5590104)

1X



Vibration Dampener
(5715003)

1X



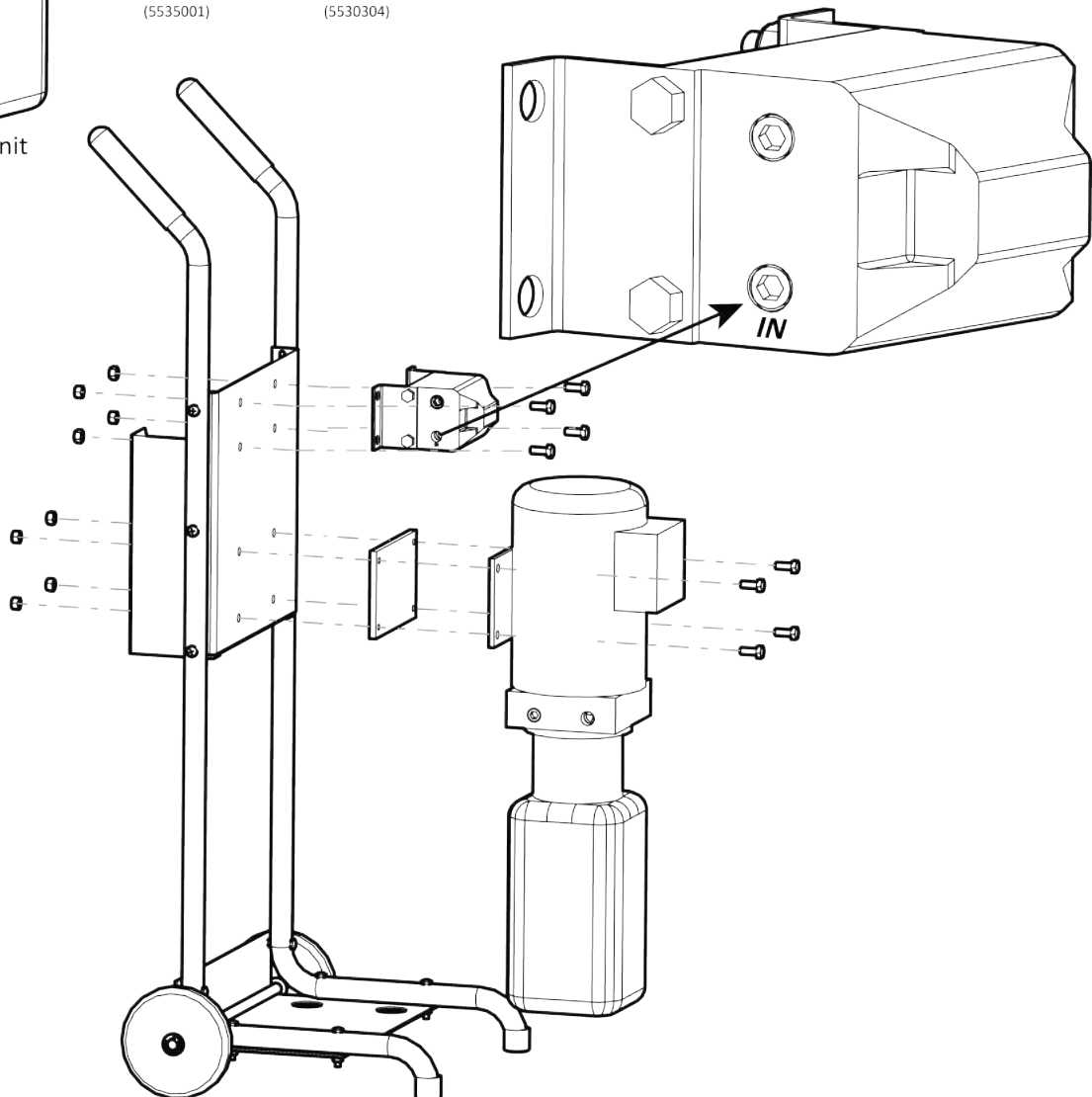
8X

Hex Nut
(5535001)

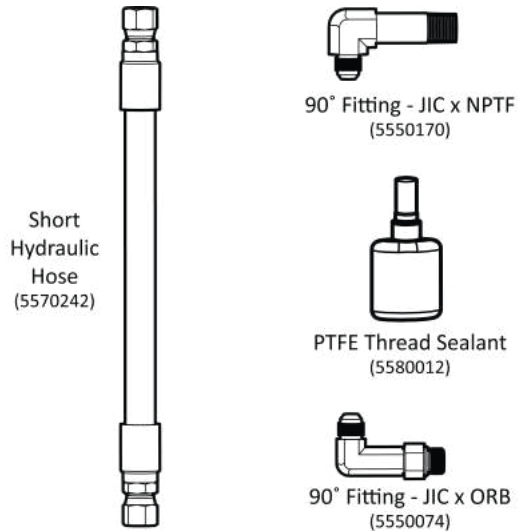


8X

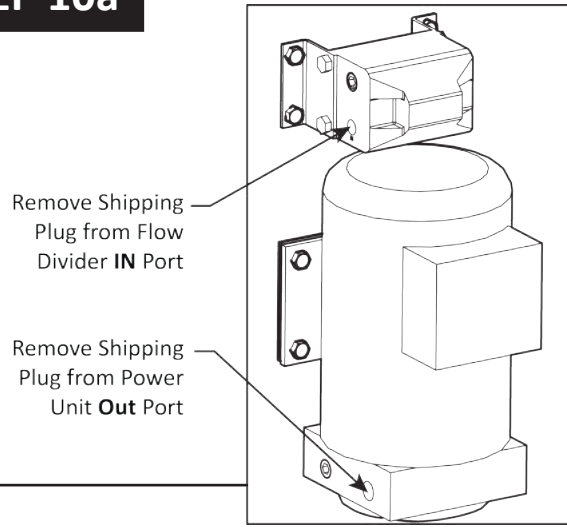
M8 x 20 Bolt
(5530304)



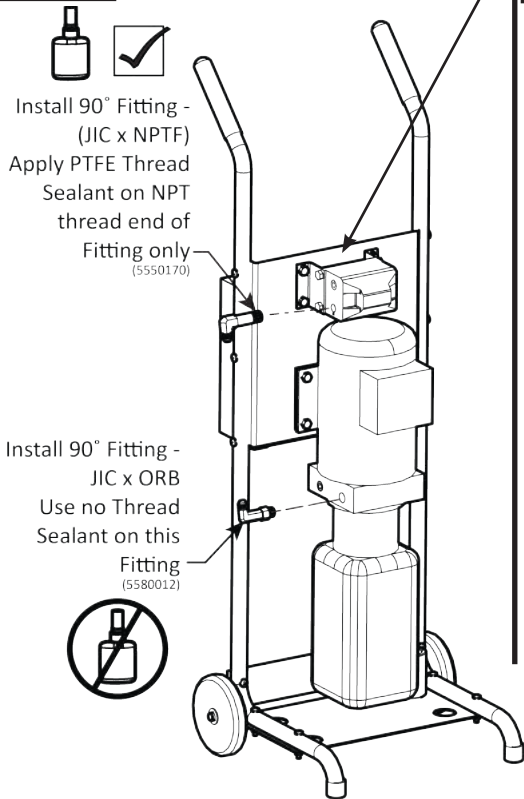
STEP 10: CONNECT TO THE FLOW DIVIDER



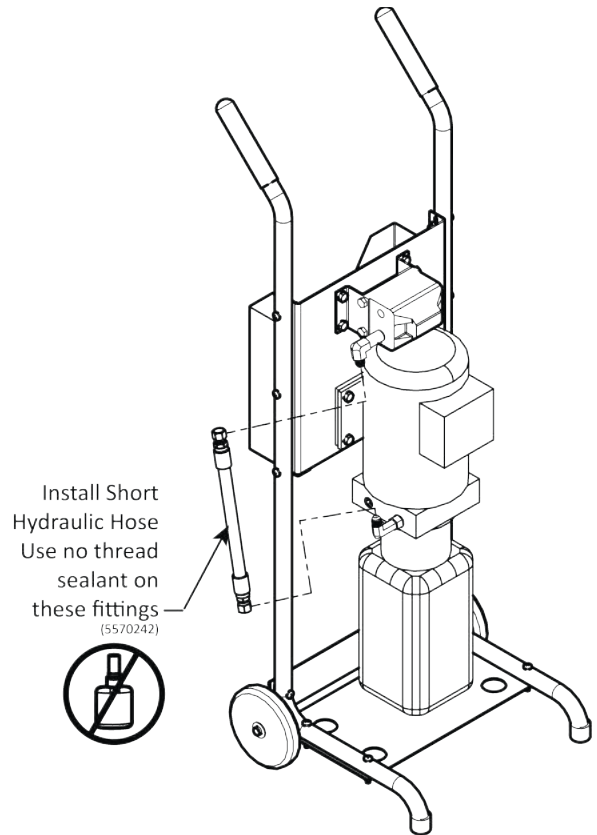
STEP 10a



STEP 10b

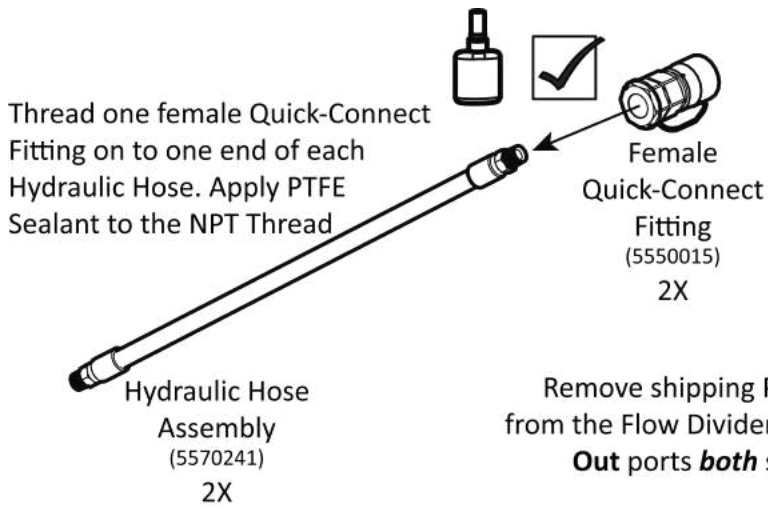


STEP 10c

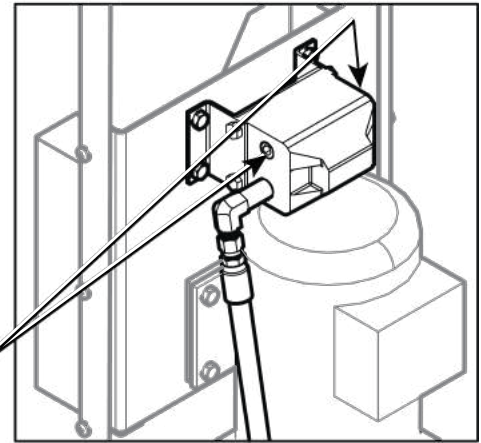


STEP 11: INSTALL HYDRAULIC HOSES

Retrieve the components below from the Parts Box.



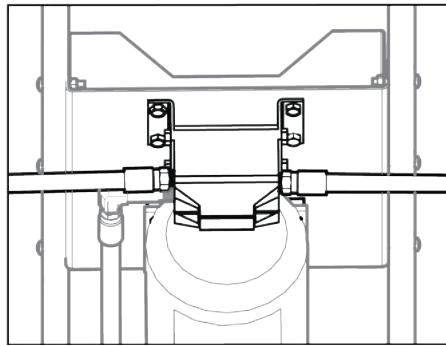
STEP 11a



STEP 11b

Connect the Left and Right Hydraulic Hoses to the **Top Out** Ports of the Flow Divider.

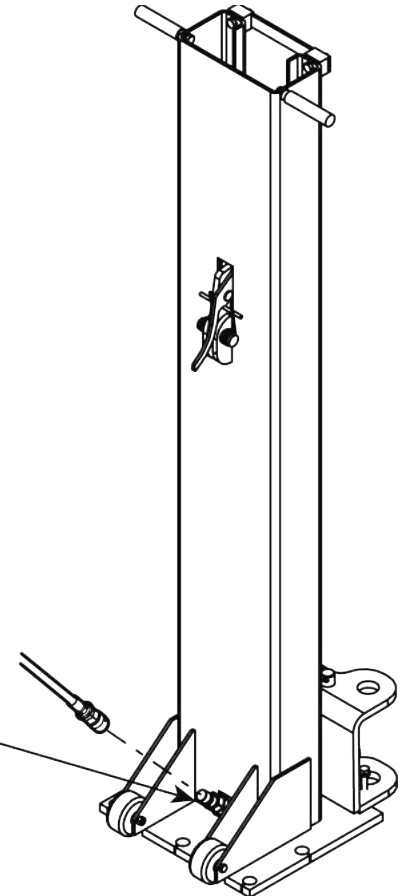
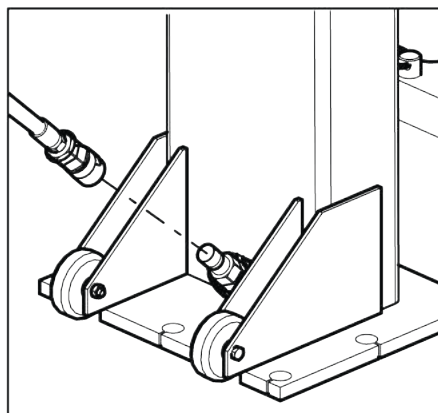
Apply PTFE Sealant to the NPT Thread.



STEP 11c

Attach the Left and Right Hydraulic Hoses to the Left and Right Lift Post Cylinders through the Quick-Connects.

Use no Thread Sealant on these on these Fittings.



CAUTION

Inspect all Hydraulic Fittings and Hoses for debris prior to assembling! Any debris such as metal, Teflon tape, or dirt that enters the Hydraulic System has the potential to shorten the Pump life.

STEP 11d: HYDRAULIC FLOW DIVIDER INFORMATION

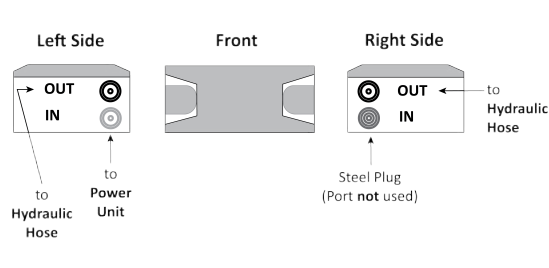


WARNING The long Hydraulic Hoses connected between the Flow Divider and the Lift Cylinders must be the same length $\pm 5\%$. The MaxJax is a Hydraulically Equalized Lift. Unequal Hose lengths may cause unequal lifting resulting in an imbalance and a subsequent loss of load. Many customers choose to move the Hydraulic Hoses out of the immediate Lift area and will require longer Hoses. If you choose to fabricate custom Hydraulic Hoses, choose a reputable, certified Hydraulic Hose fabricator, and verify that the Hose lengths are equal within $\pm 5\%$. Additional Hydraulic Fluid will also be required.

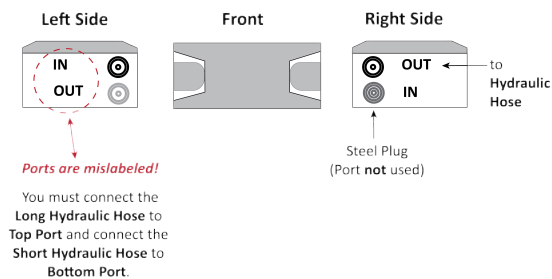
Flow Divider- There is a Hydraulic OUT Port on either side of the Flow Divider, and a Hydraulic IN Port below these OUT ports. The Ports may be configured differently based on the actual Flow Divider shipped with your MaxJax.

Your Lift will not work correctly if the Flow Divider is installed incorrectly!

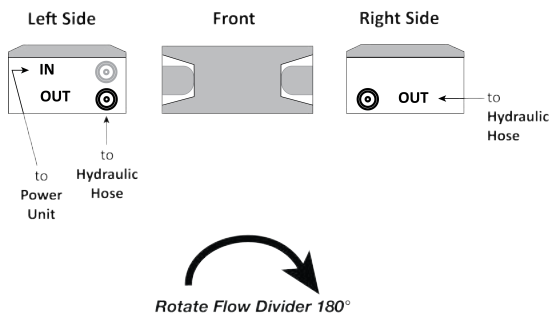
If your Flow Divider looks like the graphic below, connect the two long Hydraulic Hoses to the top OUT Ports, and the Short Hydraulic hose connects to the Bottom Left IN Port.



If your Flow Divider looks like the graphic below, the Left Side Ports are **mislabeled**. **Do not connect the Short Hydraulic Hoses to the Top Left Port**. Connect the Short Hydraulic Hose to the Bottom Left Port and the two Long Hydraulic Hoses connect to the Top Ports on either side of the Flow Divider.



If your Flow Divider looks like the graphic below, rotate the Flow Divider 180-degrees so that the side with an IN and OUT Port is on the right side, and then connect the Short Hydraulic Hose to the Lower IN Port; the other end of the Short Hose connects to the Pressure Port on the right side of the Power Unit.



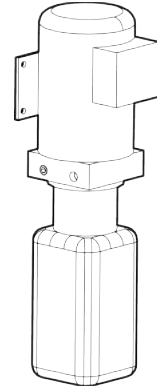
STEP 12: CONNECT THE POWER UNIT

Use a Clean Funnel with a filter to fill the Hydraulic Reservoir with 7 quarts / 6.6 Liters of approved Hydraulic Fluid. Do not overfill the Reservoir.

Approved Hydraulic Fluids include:

General Purpose Hydraulic Oil: ISO-32, ISO-46, ISO-68

Transmission Fluid: Dexron III, Dexron VI, Mercon V, Mercon LV, Shell Tellus S4 / S3 / S2, or any synthetic multi-vehicle Automatic Transmission Fluid.



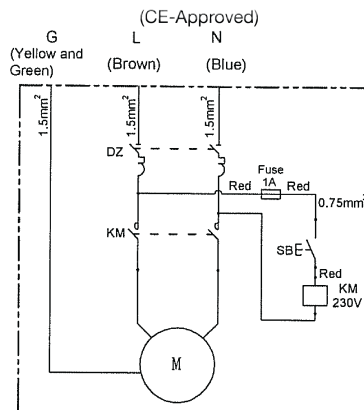
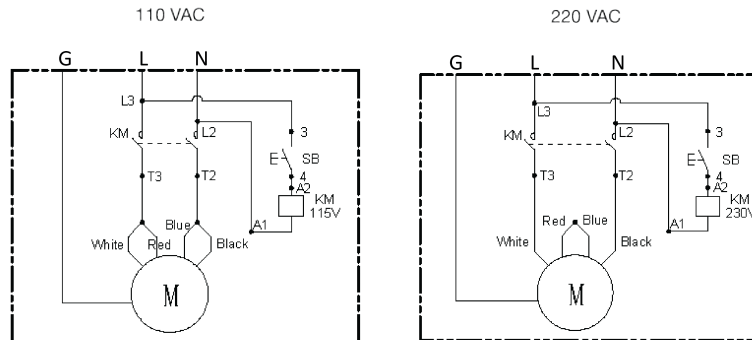
CAUTION Any contaminants in the hydraulic system will shorten the life of the Hydraulic Power Unit.

STEP 12a: CONNECT TO ELECTRICAL POWER

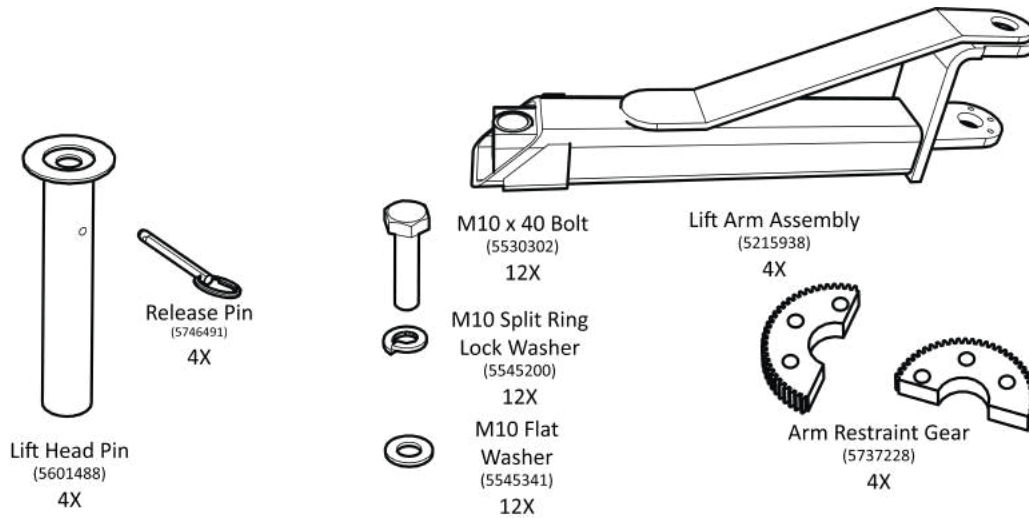
DANGER ALL WIRING MUST BE PERFORMED BY A LICENSED, CERTIFIED ELECTRICIAN ONLY, in accordance with all national and local electrical codes. Do not perform any maintenance until all electrical power has been disconnected from the Lift and cannot be re-energized until all procedures are complete.

- This equipment has internal arcing or parts that may spark and should not be exposed to flammable vapors. The motor should not be located in a recessed area or below floor level.
- Improper electrical installation can damage the Power Unit Motor, which is not covered under warranty.
- Do **not** run the Power Unit without Hydraulic Fluid. You will cause damage not covered under warranty.

- The Power Unit **must** be kept dry. Damage to the Power Unit caused by water or other liquids such as detergents, acid, etc., is not covered under warranty.
- Power Unit Motor cannot run on 50 Hz electrical power without a physical change in the motor (US only).
- Use a separate circuit breaker for each Power Unit. Protect each circuit with a time delay fuse or a circuit breaker.

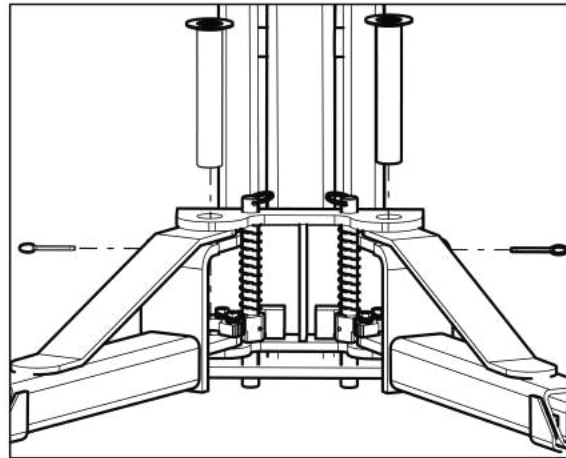
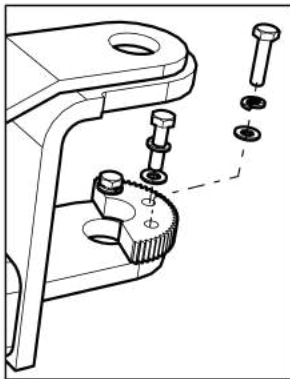


STEP 13: INSTALL THE LIFT ARMS

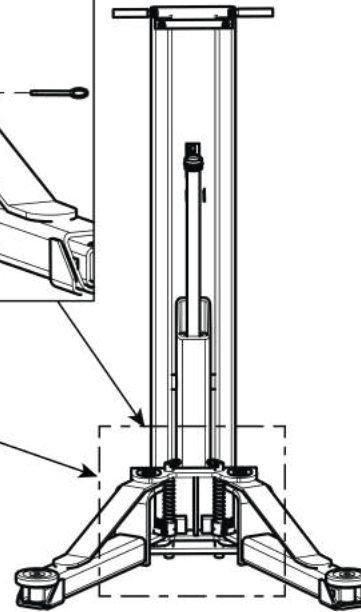
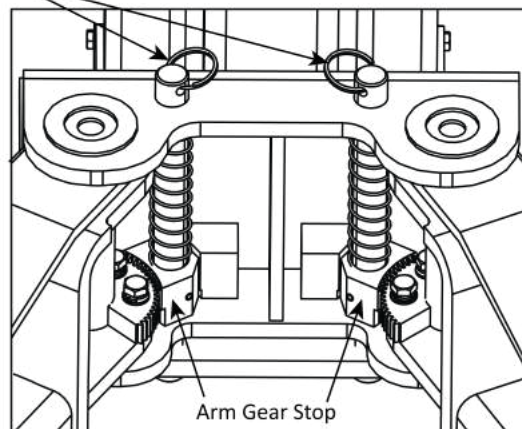


STEP 13a

1. Assemble Restraint Gears on all four Lift Arms finger-tight, as shown below.
2. Place Lift Arms in Lift Head then insert Lift Head Pins and Release Pins on all 4 Lift Arms.
3. Tighten Restraint Gears once meshed with Arm Gear Stop.

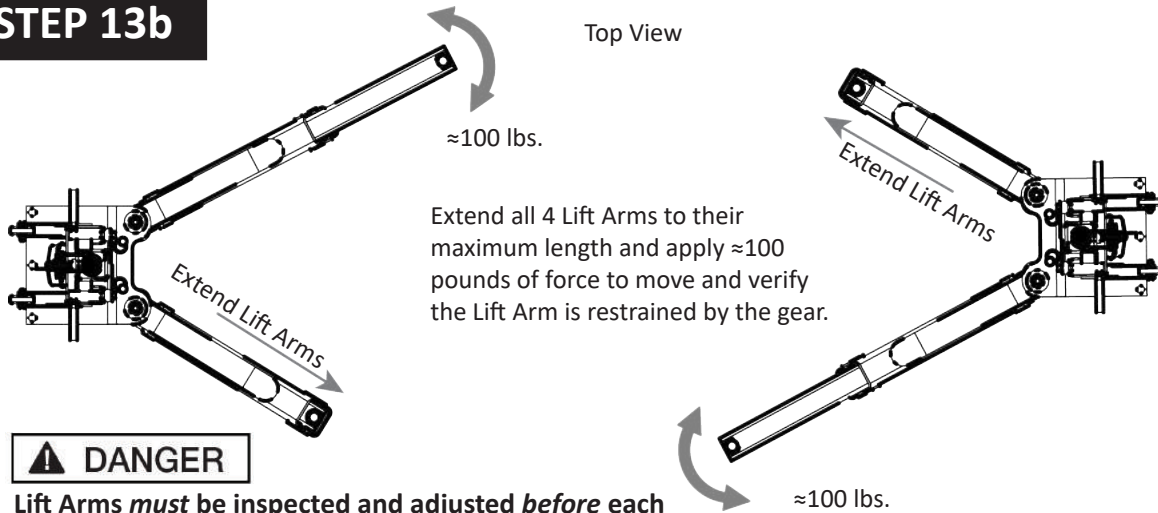


Pull up to disengage Arm Gear Stop from Arm Restraint Gear



Some components removed for clarity. Not to scale.

STEP 13b



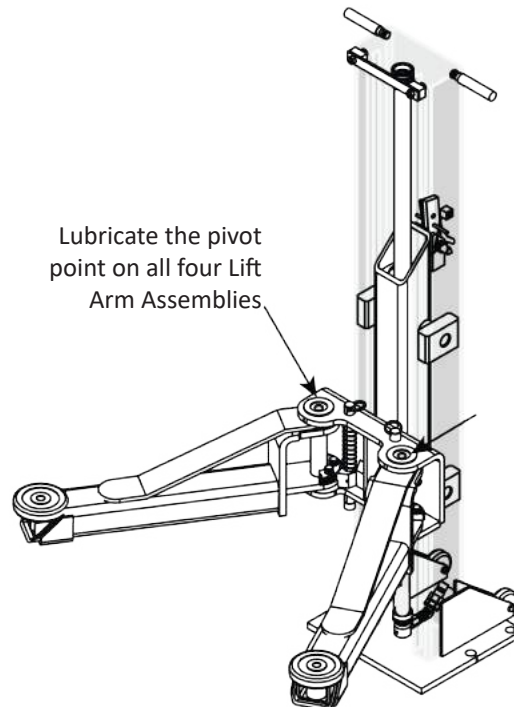
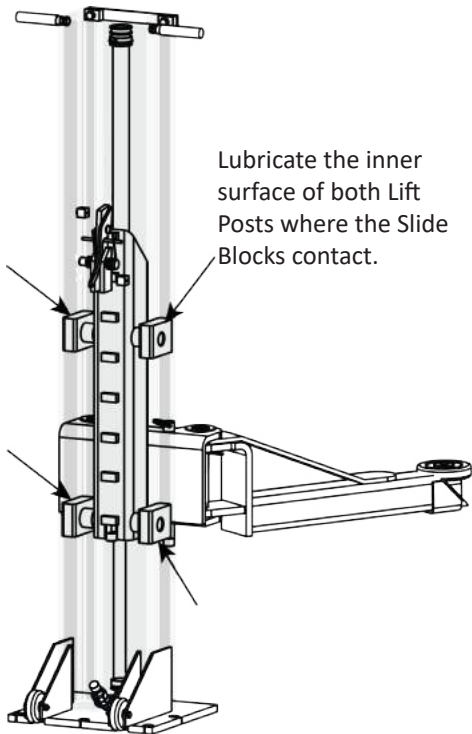
⚠ DANGER

Lift Arms **must** be inspected and adjusted **before** each use. Do not operate the Lift if any of the Lift Arms are not engaging correctly or show signs of extreme wear.

STEP 14: LUBRICATE THE LIFT

Lubricate the Lift Components described below on both Lift Posts with White Lithium Grease.

1. Lubricate the inner sides of both Lift Posts where the slide blocks make contact with the Lift Post.
2. Lubricate all four Lift Arm Pivot Pins.



Some components removed for clarity. Not to scale.

STEP 15: BLEEDING PROCEDURE

Note: A ladder will be required to reach the Bleed valves when the Lift Arms are raised.

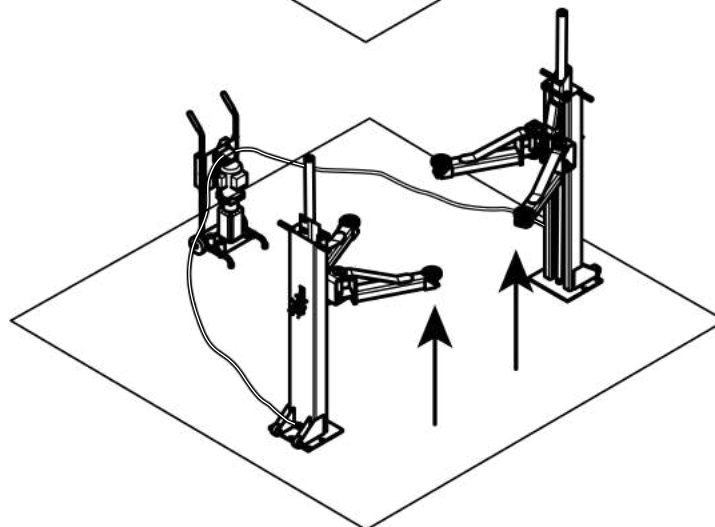
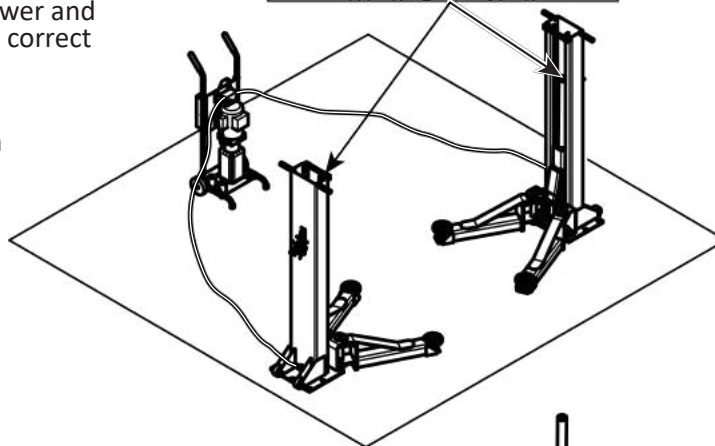
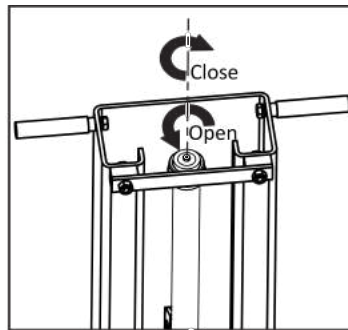
1. Wear Oil resistant Gloves, steel toed boots and have rags and absorbent material ready to clean up oil, if spills occur.
2. Verify the Hydraulic Hoses from the Flow Divider on the Power Unit are connected through the Quick Connect on each Post.
3. Verify the Lift is fully lowered with no weight on the Lift and there are no obstructions on or around the MaxJax.
4. Connect the Power Unit to electrical power and press the UP button. Look for leaks and correct any leaks before proceeding.
5. Using a Hex Wrench, loosen but do not remove the Bleed Screw on top of each cylinder.

⚠ WARNING Safety glasses required!

6. Raise the Lift Arms to their maximum height. Look and listen for air bubbles or hydraulic fluid.
7. Once reaching the maximum height keep pressing the UP button for 3 seconds only.
8. Immediately re-tighten the bleed screws and return the Lift Arms to the ground.
9. Lower the Lift Arms to the ground and verify both bleed screws are tight.
10. Repeat this procedure from Step 6 until the Lift raises and lowers evenly. Once the air is purged from the system, Hydraulic Fluid will begin to escape from the Bleeder Valve instead of air, Tighten the Bleeder Valve to close it.
11. Clean any oil from the floor or the MaxJax surfaces as a result of spills and or leaks during the Bleeding procedure.

⚠ CAUTION Any contaminants in the hydraulic system will shorten the life of the Hydraulic Power Unit.

⚠ WARNING Never replace any factory-supplied part with after-market or non-OEM parts. Verify all hydraulic connections and plugs in auxiliary ports are tight before applying power to the system.



If you have any problems or require further assistance, please visit maxjax.com/support on the web, via email at support@maxjax.com or contact MaxJax Service at (844) 629-5291.

STEP 16: TEST THE LIFT

Before putting your Lift into operation, we recommend raising and lowering the Lift Arms using a typical Vehicle.

⚠ DANGER Automotive Lifts are dangerous tools when used by inexperienced or impaired technicians. When you hear the words “Automotive Lift”, your brain should automatically register the fact that *lifting a Vehicle is a serious endeavor with life-threatening risks if mandatory lifting precautions are ignored.*

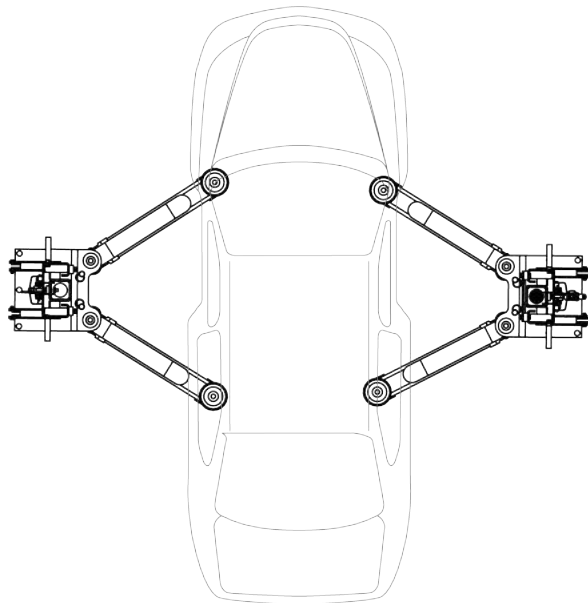
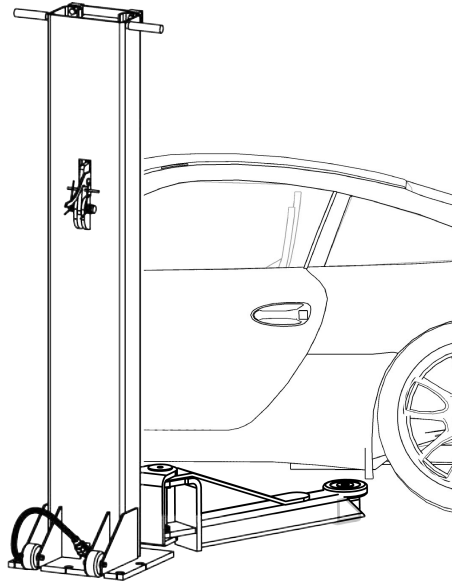
⚠ WARNING Never raise a Vehicle whose weight exceeds the rated capacity of the Lift. Do not leave the controls until the Lift is engaged on its Safety Locks. Only trained personnel should raise or lower the Lift.

1. Adjust the Lift Arms under the Vehicle so the Adapters are **directly under** the Lifting Points for the Vehicle you are raising.
2. Raise the Lift until **just before** the Adapters make contact with the Lifting Points.
3. Check the Arm Restraint Gears on all four Lifting Arms to make sure they are all engaged.
4. Raise the Lift until the Tires of the Vehicle are a few inches above the ground.
5. Make sure all four adapters are making solid contact with the Lifting Points. If any of the Adapters are **not** making solid contact with the Lifting Points, carefully lower the Lift and start over. The Adapters must make solid contact with the Lifting Points.
6. Raise the Vehicle approximately three feet (one meter) off the ground, then lower it back down.

Watch and listen as the Lift raises and then lowers. The Lift may move erratically or make odd noises the first couple of times in use; this is normal.

⚠ CAUTION The Power Unit is not a constant duty motor; it cannot be run continuously.

7. Wait one minute.
8. Repeat the process, this time raising the Lift, engaging it on a Safety Lock position, raising the Lift to take it off the Safety Lock position, and then lowering it back down to the ground.



STEP 17: FINAL CHECKLIST BEFORE OPERATION

- 1. Review the Installation Checklist to verify all steps have been completed.
- 2. Make sure the Power Unit is supplied power.
- 3. Check the Hydraulic Fluid Reservoir; it must be full of approved Hydraulic Fluid or Automatic Transmission Fluid.



CAUTION

Running the Power Unit without Fluid can result in significant damage.

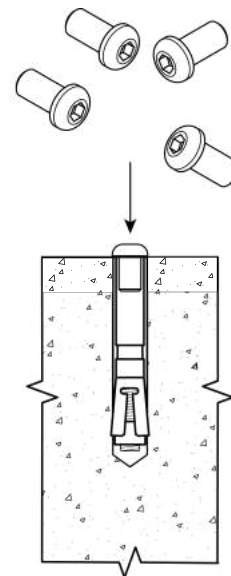
- 4. Check the Hydraulic System for leaks. Then repair leaks and clean Hydraulic Fluid from floors and surfaces.
- 5. Make sure both Lift Posts are perpendicular, plumb and square, shimmed and stable.
- 6. Verify all Anchor Bolts are correctly torqued.
- 7. Lubricate the inside of the Lift Posts where the Slide Blocks glide and all four Lift Arm Pivot Points.
- 8. Verify both safety assemblies are connected and working normally.
- 9. Verify an operational test on the Lift has been completed.
- 10. Leave the manual with the Owner/Operator, so that it is available for anyone who needs to read it.

ANCHOR PLUGS

Ten Anchor Plugs (5530412) are provided with the MaxJax. These Plugs are intended to protect the MaxJax Anchors, as well as keep dirt and debris from filling the Anchors while the Lift Posts are in storage.

After unbolting, moving and securing the Lift Posts in their storage positions, simply thread the Anchor Plugs into the Anchors, finger tight.

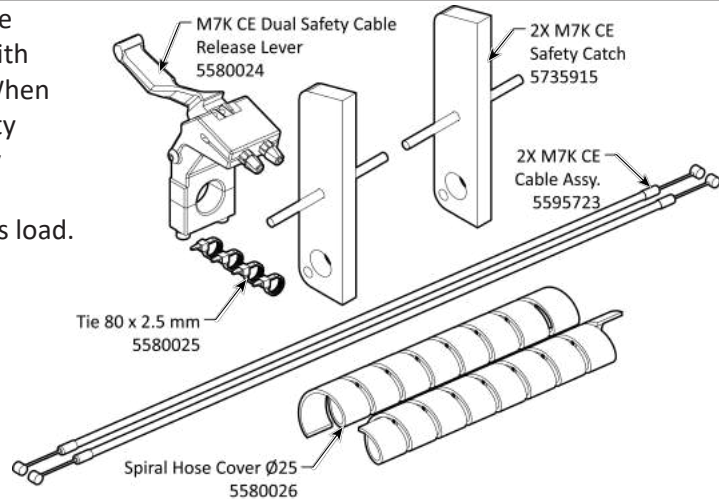
Remove the Anchor Plugs when ready to re-install the Lift Posts. Always inspect the Anchors and Concrete for defects and/or damage prior to installing the Lift Posts.



CE SAFETY RELEASE KIT

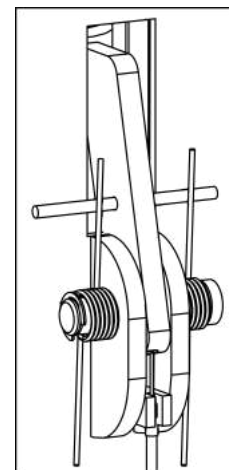
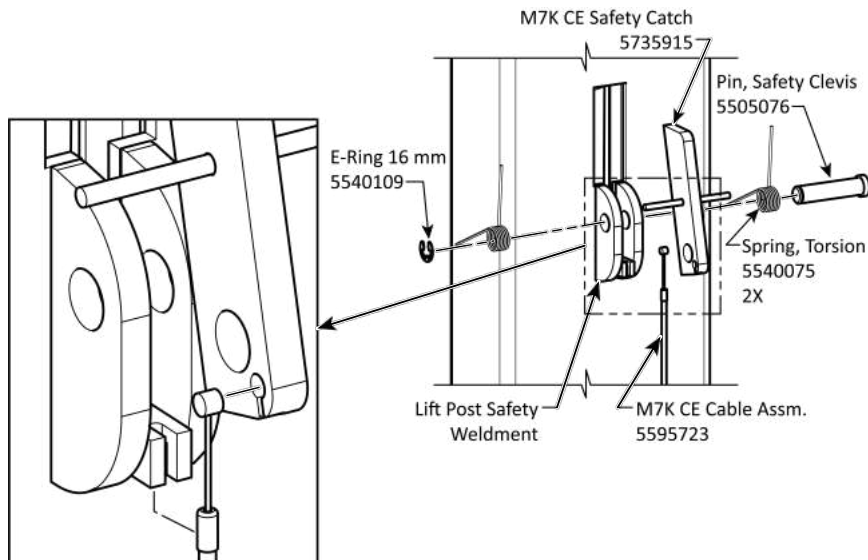
Conforming to European Standard EN1493, the CE Safety Release Kit is designed to operate with the MaxJax M7K Portable Mid Rise Lift only. When properly installed on the MaxJax Lift, the Safety Release Kit provides a “hold-to-run” capability required to release both MaxJax Safety Locks simultaneously and lower the Lift head with its load. The CE Safety Release Kit Consists of:

- One M7K CE Dual Safety Release Lever 5580024
- Two M7K CE Safety Catches 5735915
- Two M7K CE Cable Assemblies 5595723
- Ø25 x 4400 mm Spiral Hose Cover 5580026
- Four Cable Ties 5580025



To Install the CE Safety Release Kit:

1. Retrieve the CE Safety Catch and one of the M7K Cable Assemblies.
2. Insert the one of the swaged Cable Ends into the Safety Catch and position in the Lift Post Weldment.
3. Hold the Safety Catch in the Weldment while loading a Torsion Spring on the Clevis Pin and inserting into the Lift Post Safety Weldment and the Safety Catch. You will have to exert some force on the Torsion Spring to load its onto the Safety Catch and Clevis Pin.
4. Insert the Second Torsion Spring on the Clevis Pin and secure using the E-Ring. The figure above details the assembly. The figure to the right, details the completed Safety Catch assembly.
5. Cut the Spiral Hose Cover to an appropriate length for your specific installation. The Cover should be long enough to enclose the Hose and Safety Release Cable from the Base of the Lift Post to the Power Unit. Avoid sharp bends.
6. Guide the Hydraulic Hose and Safety Release Cable through the Spiral Hose Cover.
7. Repeat items 1 through 6 on the remaining Lift Post.



CE SAFETY RELEASE KIT (Continued)

8. Retrieve the M7K CE Dual Safety Cable Release Lever.

9. Disassemble the Release Lever's Mounting section and attach to the MaxJax's Power Unit Stand Handle. Adjust the angle and position of the Release Lever, then tighten the fasteners to secure. Refer to the figure on the right. Choose a position that allows easy access to the Release Lever and the Power Unit Controls.

10. Route to Safety Release Cable and Hydraulic Hose to avoid sharp bends.

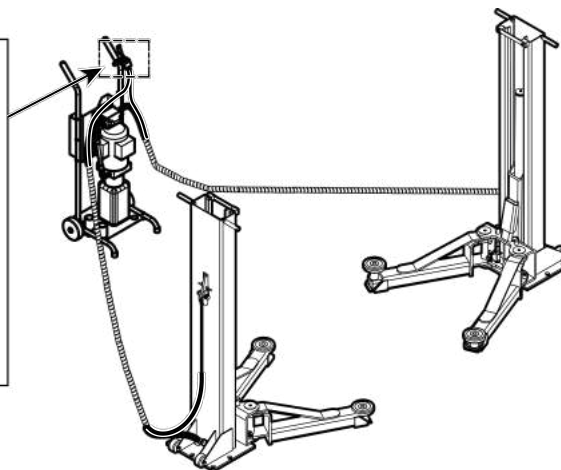
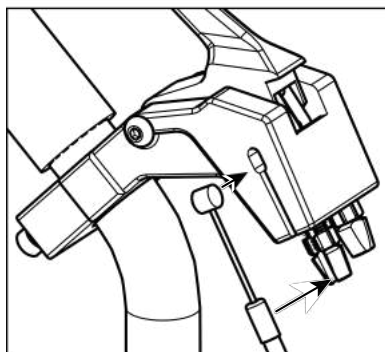
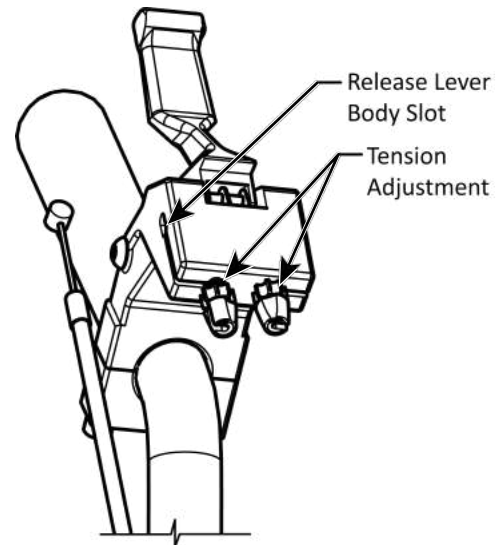
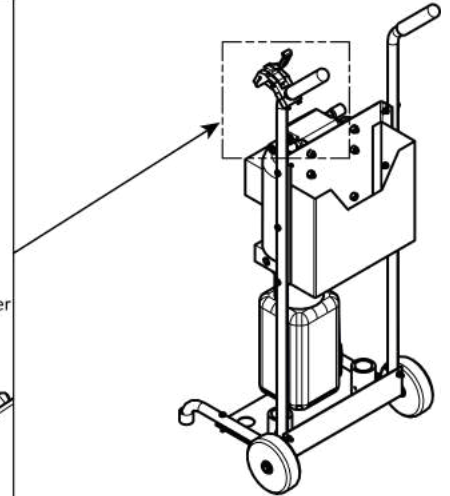
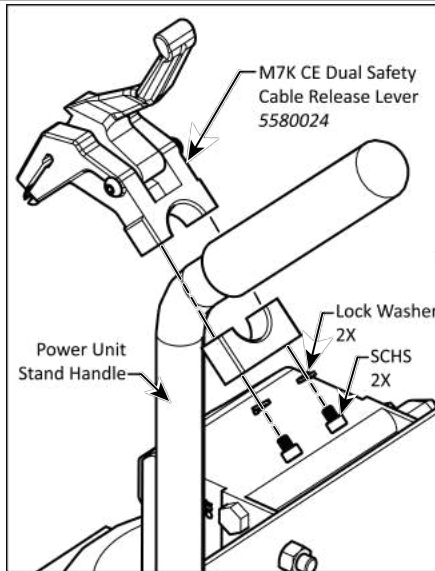
11. Turn each Tension Adjustment two full turns counterclockwise to loosen. Refer to the figures below.

12. Install the Safety Release Cable Ends into the Safety Release Lever by aligning the slots in the Tension Adjustment with the slots in the body of the Release Lever. Insert the Cable as shown in the figure to the right.

13. Turn the Adjustment clockwise to capture the Safety Release Cable. Repeat for the remaining Safety Cable. Refer to the figures below.

14. Test the Safety Release by moving the Release Lever several times as you observe the Safety Locks. If the either of the Safety Locks bind or stick, adjust the Release Cable as required to correct this condition.

15. Use the 80 x 2.5 mm Cable Ties to secure the ends of the Spiral Hose Cover to the Hydraulic Hose and Safety Release Cable.



CONCRETE CUTOUTS IN EXISTING CONCRETE

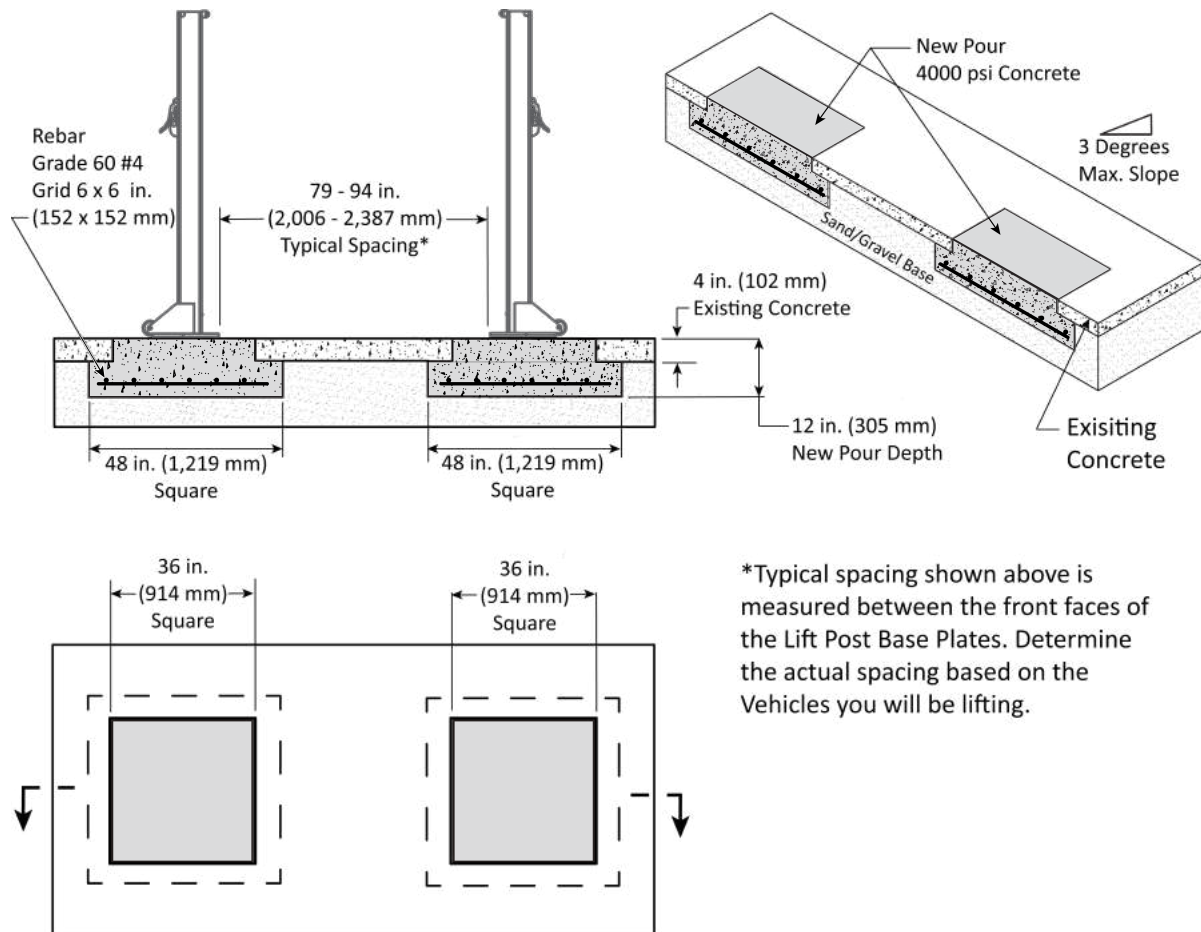
If the slope at your proposed lift location exceeds 3-degrees, or the concrete is not in good condition, consider another site or construct Concrete Cutouts with a new pour as detailed below.

CAUTION BendPak *strongly* recommends working with a concrete specialist to plan and create the Steel Reinforced Concrete Cutouts for your MaxJax.

It is Important to understand the following *before* creating the Concrete Cutouts for your Lift:

- **New Pour Concrete.** New pours must have a compressive strength of 4,000 psi and include Grade 60 #4 Reinforcing Steel.
- **Concrete Curing Time.** Concrete Cutouts must cure for a minimum of 28 days before they are strong enough to support Anchor Bolts.
- **Slope.** The new pour is to be level. Slope not to exceed 3 degrees.
- **Floor Material.** Concrete Cutouts must be created in a **Concrete** floor; no other surface (asphalt, dirt or anything else) is acceptable.
- **Post Tension Slab.** Verify that your current floor is not a Post Tension Slab. Do not drill or cut into a post tension slab. Consult the building architect or your local Department of Building and Safety.
- **Decisions.** Lift location and the space between the posts must be decided *before* creating your concrete cutouts. See **Step 1 Locations, Clearances and Chalk Lines.**
- **Lift Location.** Use care when selecting the Lift location see **Step 1 Locations, Clearances and Chalk Lines.**
- **Distance Between Lift Posts.** The Lift Post spacing typically ranges from 79 to 94 inches (2,006 mm to 2,387 mm), when measured between the front faces of the of the Lift Post Bases. Determine the distance and add that to the plan. The Dimensions given are rough guidelines. Bring the Vehicle into the planned service bay to make a dry-run.

Double check your Post locations will allow Lifting Arms access to the Lifting Points on your Vehicle(s). Refer to the ALI Lifting Point Guide for the appropriate Lifting Points before finalizing the Lift Post Positions.



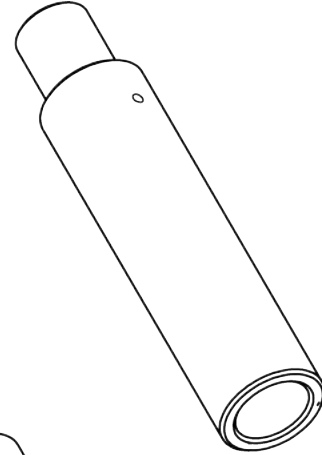
MAXJAX ACCESSORIES (Sold Separately)

Accessories are not ALL approved.

TALL HEIGHT ADAPTERS

Set of 4 Order SKU 5215752

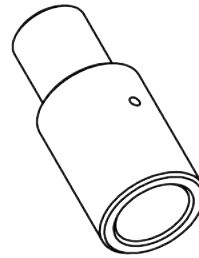
All MaxJax Height Adapters are designed to be used with Lift Pad Assemblies, Frame Cradle Pads, and other stackable Height Adapters. All Height adapters are made of heavy-duty steel. Tall Height Adapters measure 4.9" (125 mm) long, with a 35 mm diameter pin.



MEDIUM HEIGHT ADAPTERS

Set of 4 Order SKU 5215751

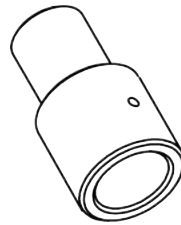
Medium Height Adapters measure 2.5" (63 mm) long, with a 35 mm diameter pin.



LOW HEIGHT ADAPTERS

Set of 4 Order SKU 5215750

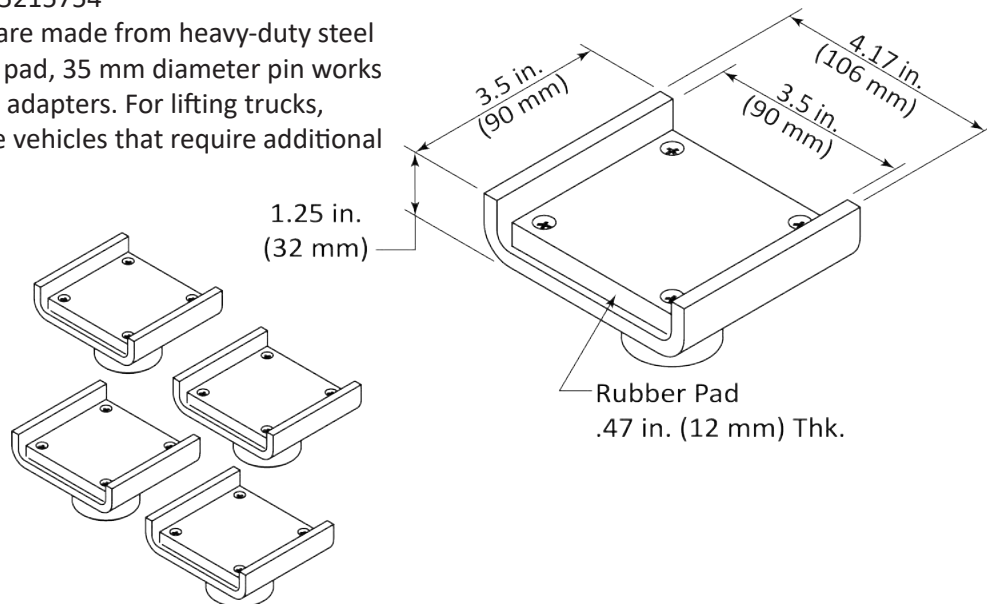
Low Height Adapters measure 2.2" (56 mm) long with a 35 mm diameter pin.



FRAME CRADLE PADS

Set of 4 Order SKU 5215754

Frame cradle pads are made from heavy-duty steel with a thick rubber pad, 35 mm diameter pin works with MaxJax height adapters. For lifting trucks, vans or other frame vehicles that require additional stability.



MAXJAX ACCESSORIES (Sold Separately)

EPOXY ANCHORS Accessories are not ALL approved. Epoxy Anchors are available as an alternative to Expansion Anchors.

IMPORTANT WARNINGS:

- The following installation instructions are intended for use on DRY concrete with a minimum 28-day compressive strength of 3,000 PSI.
- DO NOT install epoxy anchors in concrete that is cracked or damaged or within 6" of an expansion joint.
- Allow epoxy to cure for at least 48-hours prior to use.

INSTALLATION INSTRUCTIONS:

1. Using a 7/8" solid carbide-tipped drill bit meeting ANSI B212.15 diameter standards, and using the lift baseplate as a guide, drill the anchor holes perpendicular to the work surface and to a minimum depth of 6.5". To assure full holding power, do not ream the hole or allow the drill to wobble while drilling.
2. Clean all ten Anchor Holes with oil-free compressed air and a stiff nylon or wire brush. Repeat this cleaning process at least two times. Dust and debris left in the hole will significantly reduce the holding capacity of the Anchor.

Kit Part Number	5530379
Thread Size	5/8-11 NC
Drill Bit Dia. (in.)	7/8
Min. Hole Depth (in.)	6.5
Embedment Depth (in.)	4-5/16
Installation Spacer (in.)	5/8
Installation Torque (ft.-lbs.)	60



The Epoxy allows 15 to 20 minutes of work time before it begins to harden. Two mixing Nozzles are provided in the Kit. If you must stop and restart later, seal the Epoxy Nozzle and when you are ready to begin again, use the second Nozzle.

3. Prepare all ten Anchors by threading the Bolts and Washers into the anchors. Inject high-strength Epoxy Adhesive into the hole until approximately 1/3 to 1/2 full. Place the Epoxy Nozzle into the hole and fill from the bottom up.
4. Use the Bolt in the Anchor as a handle and protect the internal threads from becoming filled with epoxy. Slowly and carefully insert each anchor into the hole with a slight twisting motion making sure that epoxy is clear of the Bolt threads and does not bond to the Bolt.
5. It may be necessary to drive each anchor downward with several sharp hammer blows until the upper head of the female anchor is flush with the floor surface.
7. Use rags to clean excess epoxy from the Bolts and the mounting area before it hardens.

IMPORTANT NOTE:

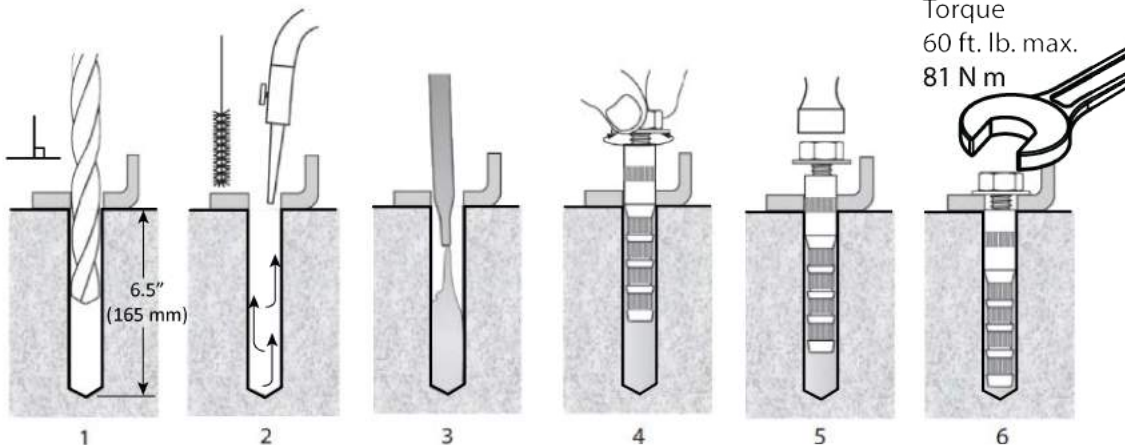
During equipment installation and use, maximum tightening torque of Anchors is not to exceed 60 ft. lbf. / 81 N m.



You must inspect all drop-in Anchors for proper setting and/or damage each time the Lift is re-installed. Do not re-install the Lift if any of the Drop-in Anchors are defective or the concrete is cracked or defective.



Always wear safety glasses.



LIMITATIONS, SAFETY, RESPONSIBILITY, COPYRIGHT, TRADEMARKS AND PATENTS

Manual. MaxJax™ Portable Mid-Rise Lift, Installation Manual, Part Number 5900304, Revision A3, Released June 2022.

Copyright. Copyright ©2022 by BendPak Inc. All rights reserved. You may make copies of this document if you agree that: you will give full attribution to BendPak Inc., you will not make changes to the content, you do not gain any rights to this content, and you will not use the copies for commercial purposes.

Patents. The MaxJax Lift is Patented under US 8.256.577 B2 and US 9.150.395 B2.

Trademarks. MaxJax, the MaxJax logo, BendPak, and the BendPak Logo are registered trademarks of BendPak Inc. All other company, product and service names are the property of their respective owners.

Limitations. Every effort has been made to ensure complete and accurate instructions are included in this manual. However, product updates, revisions, and/or changes may have occurred since this manual was published. BendPak reserves the right to change any information in this manual without incurring any obligation for equipment previously or subsequently sold. BendPak is not responsible for typographical errors in this manual. You can always find the latest version of the manual for your product on the MaxJax website.

Warranty. The MaxJax warranty is more than a commitment to you: it is also a commitment to the value of your new product. Contact your nearest BendPak dealer or visit www.maxjax.com/warranty for full warranty details.

Safety. Your product was designed and manufactured with safety in mind. However, your safety also depends on proper training and thoughtful operation. Do not install, operate, maintain, or repair the unit without reading and understanding this manual and the labels on the unit; do not use your Lift unless you can do so safely!

Owner Responsibility. In order to ensure operator safety and maintain your product properly, it is the responsibility of the product owner to read and follow these instructions:

- Follow all setup, operation, and maintenance instructions.
- Verify product setup and use conforms to all applicable local, state, and federal codes, rules, and regulations such as state and federal OSHA regulations and electrical codes.
- Read and follow all safety instructions. Keep them readily available for operators.
- Verify all operators are properly trained in how to safely operate the Lift, and are properly supervised.
- Do not operate the product until you are certain all parts are in place and operating correctly.
- Carefully inspect the product on a regular basis and perform all maintenance as specified.
- Service and maintain the unit only with approved replacement parts.
- Keep all instructions permanently with the product and make sure all labels are clean and visible.
- MaxJax makes no promises, guarantees or assurances that our products meet any state, county, federal or international mandated permit, license, code, standard, certification, or any other mandate other than what is listed or shown on MaxJax website(s), or any MaxJax online or published catalog. Not all MaxJax lift models meet the standards as prescribed by ANSI/ALI ALCTV-(current edition) or ANSI/UL 201. Consult www.autolift.org for a complete list of lift models that meet ANSI/ALI ALCTV-(current edition) or ANSI/UL 201, or contact MaxJax via support@maxjax.com. Buyer assumes full responsibility for any state, county, federal or international mandated permit, license, code, standard, certification, or any other mandate required related to the installation and/or operation of any BendPak, Danmar or Ranger product. MAXJAX will not be responsible for any charges, fines, liens, or other levies imposed on the Buyer related to any special or regional structural, seismic or any other building code and/or codes such as the Uniform Building Code (UBC), International Building Code (IBC), or any other state, county, federal or international mandated permit, license, code, standard, certification, or other mandate, law, rule, regulation or directive by any other agency, government, administrations, or corporations whether state, county, federal, or international mandated.
- ***Only use the Lift if it can be used safely!***

If you have any problems or require further assistance, please visit maxjax.com/support on the web, via email at support@maxjax.com or contact MaxJax Service at (844) 629-5291.

MAXJAX®

5240 Willis Road
Theodore, AL 36582
844-629-5291