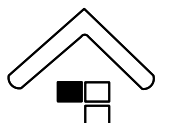
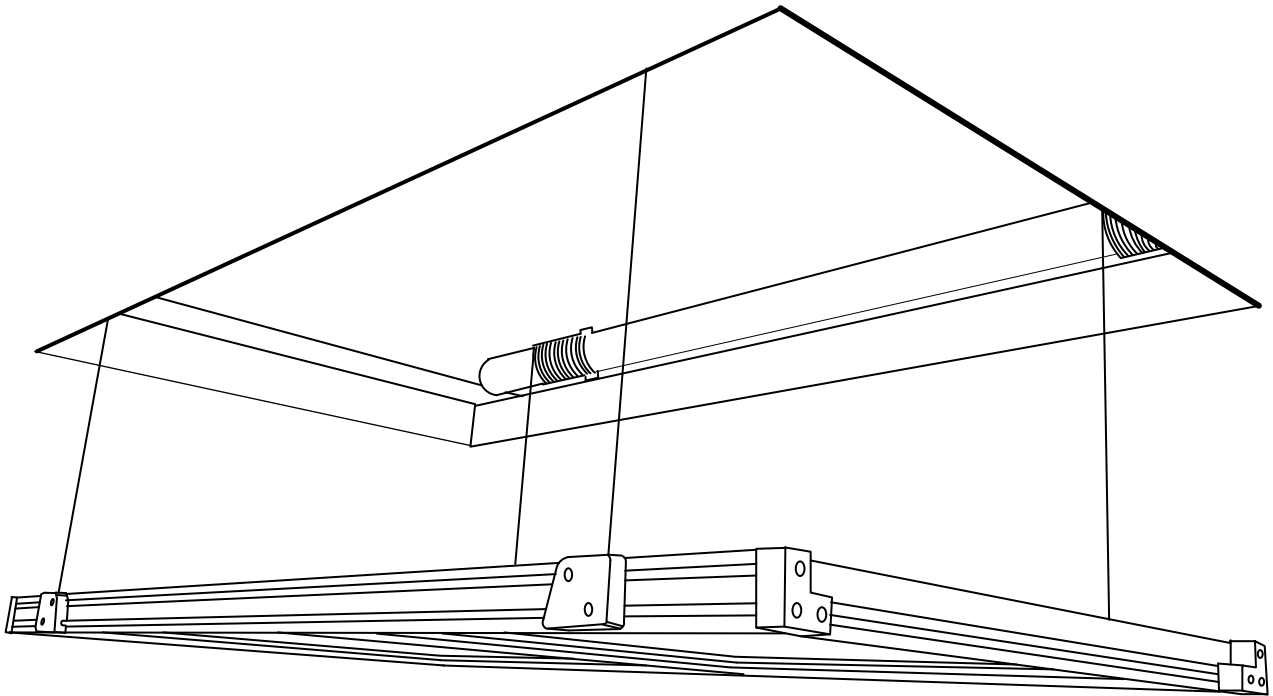
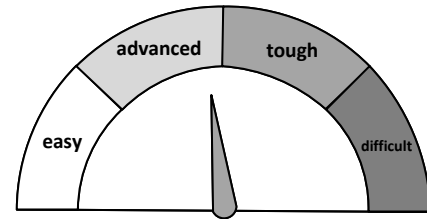


# AUXXLIFT Attic



# Before YOU start

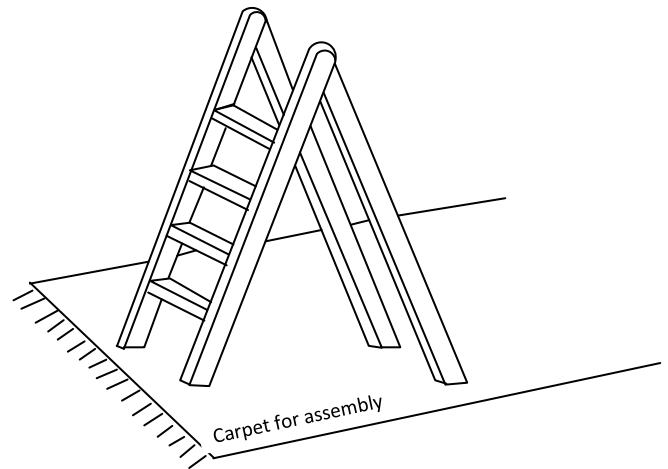
1. Have you read through the instructions?
2. Do you have all the recommended tools?
3. Do you have somebody assisting you?
4. Have you allocated enough time?



For a professional it takes about 3 hours to install.

What is most important is to follow the instructions and read everything carefully before you start.

5. You need a good, stable ladder.
6. Don't use an impact driver.
7. Clean the area before you start.
8. Wear safety glasses!
9. Keep work area clear!



Check measurements during construction.

Make sure that nothing is in the way e.g. windows, doors etc.

10. Does your garage ceiling have or has had termites?
11. Are the joists strong and big enough? (2" x 4" at least)
12. Mounting to a concrete ceiling requires anchors!
13. Has your home been built according to valid standards and guidelines?
14. If you have doubts about the ceiling construction, please ask a specialist!

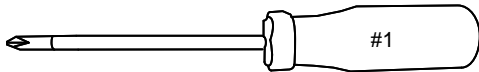
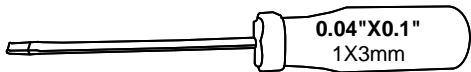
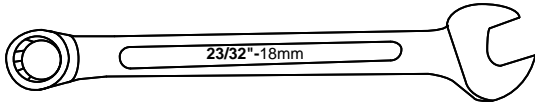
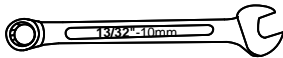
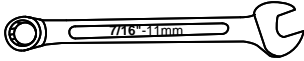
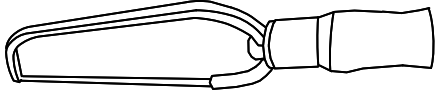
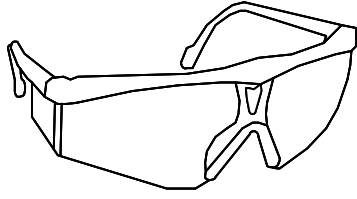


If you have any problems understanding the instructions or you feel uncomfortable handling the installation, please ask a handyman or work with a contractor. Call/write us if you need help or have concerns or questions.

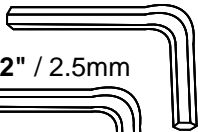
[www.auxx-lift.com/installation-help](http://www.auxx-lift.com/installation-help)

Help phone: PST 10 am -3 pm 1 805 862 8271

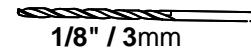
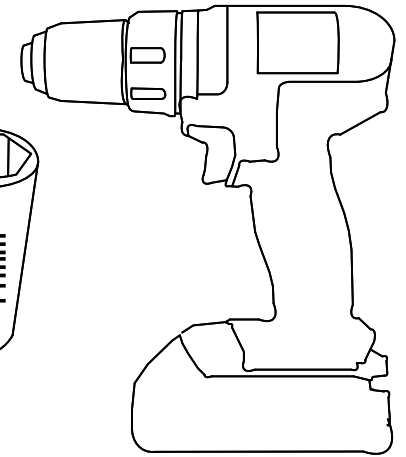
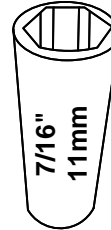
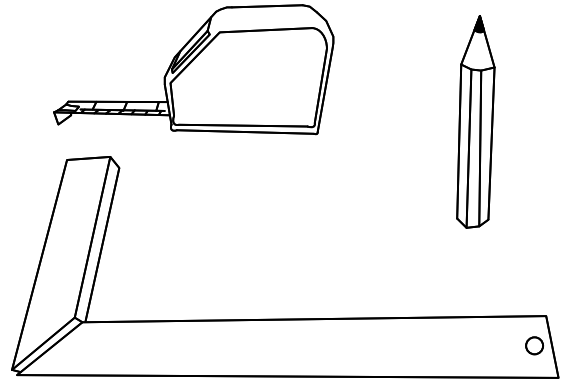
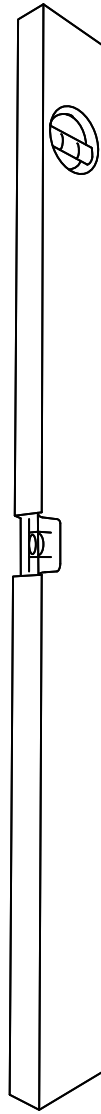
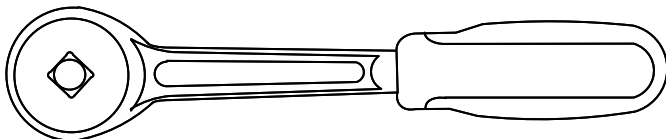
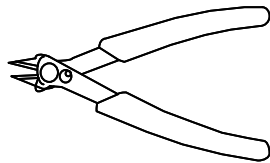
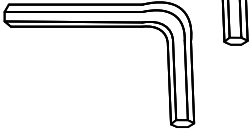
# RECOMMENDED TOOLS



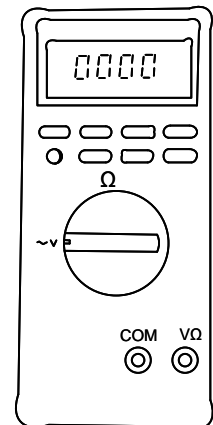
3/16" / 5mm



3/32" / 2.5mm

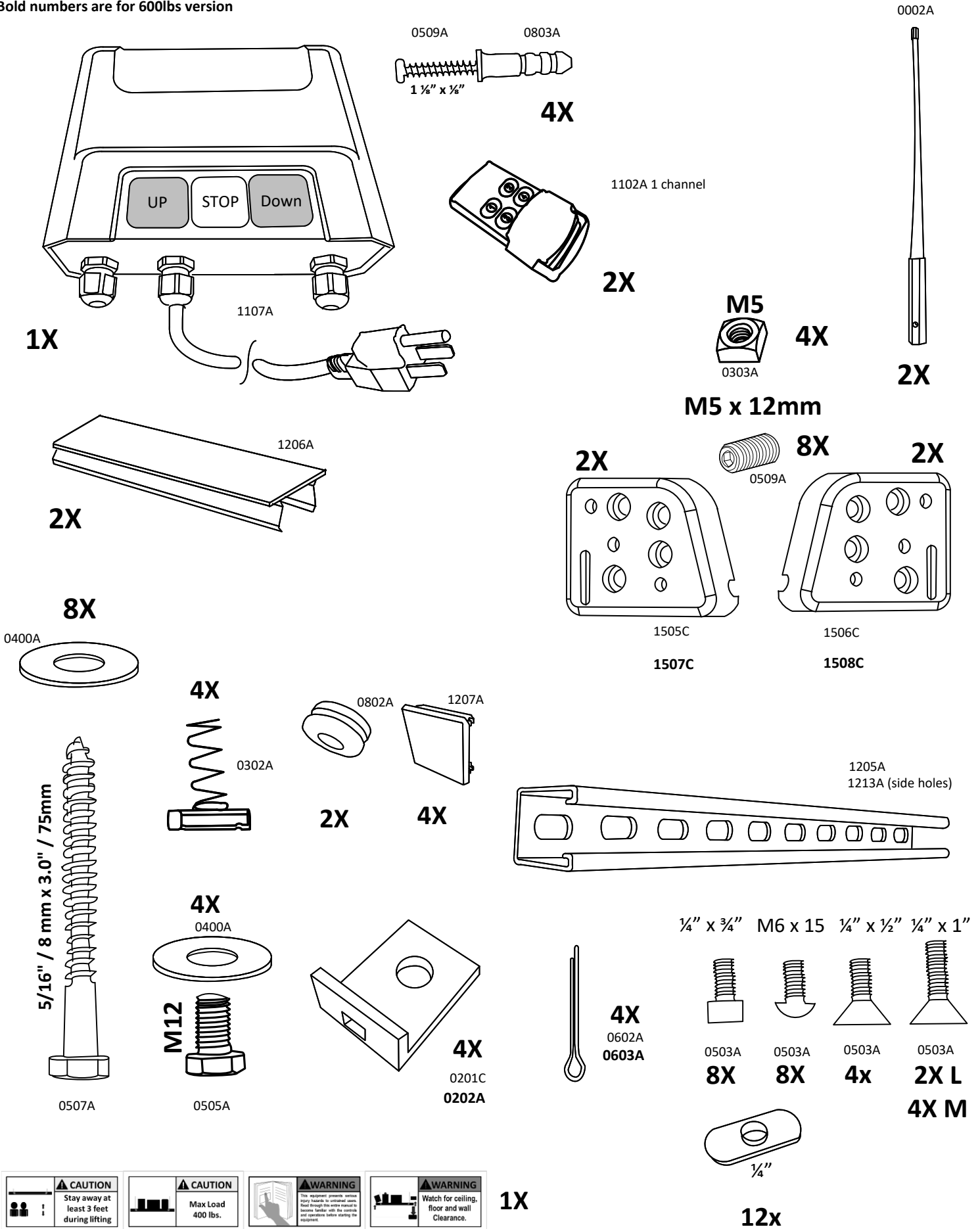


## Nice to have



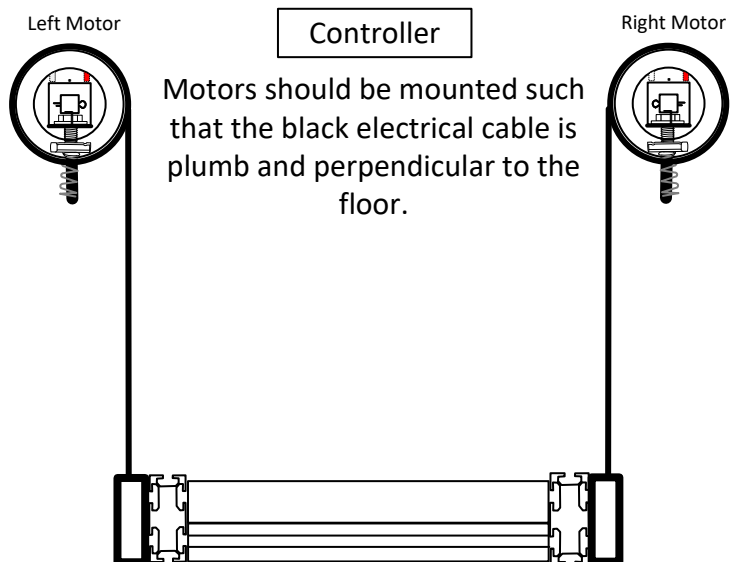
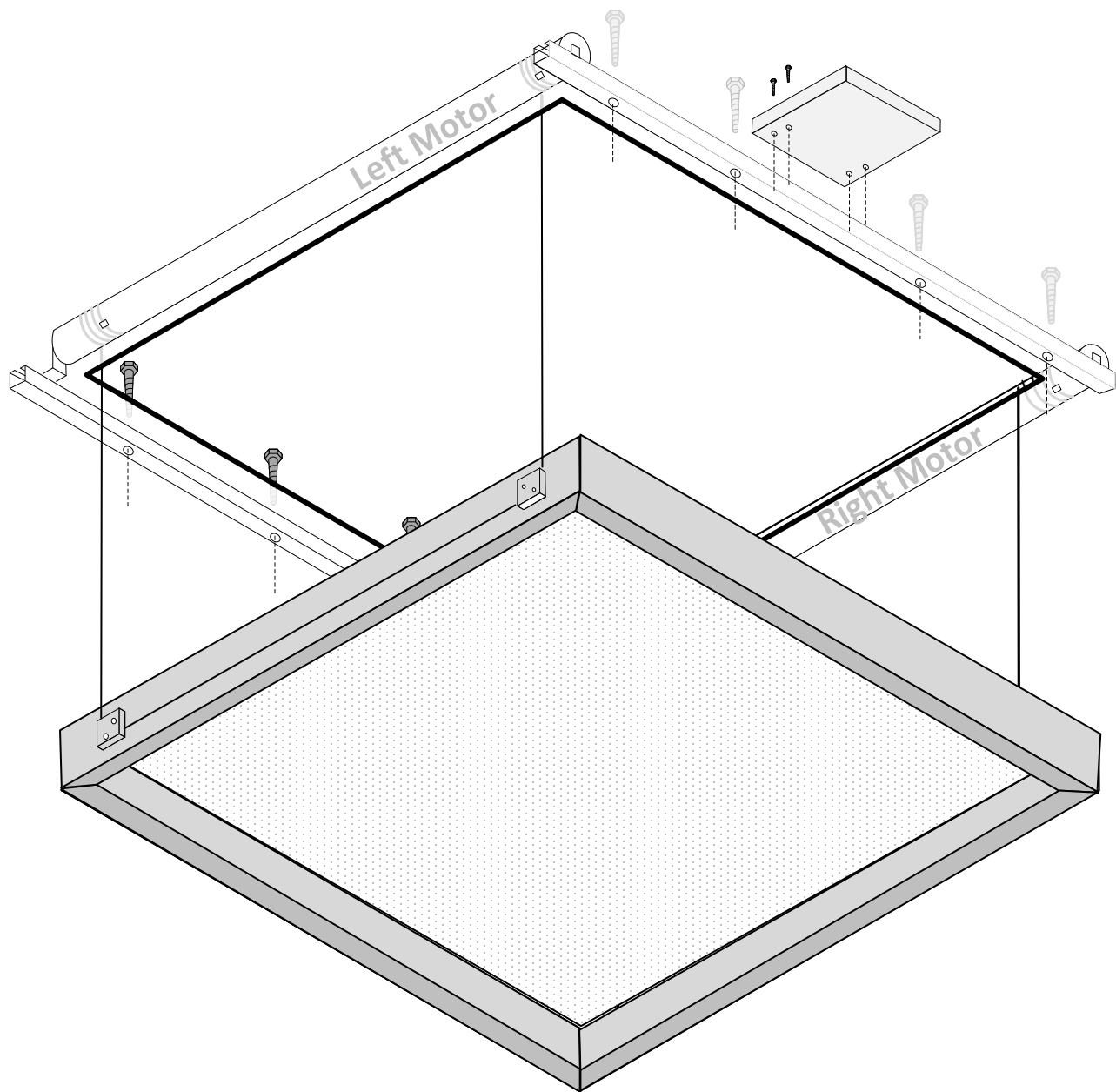
# LIST OF PARTS

\*Bold numbers are for 600lbs version



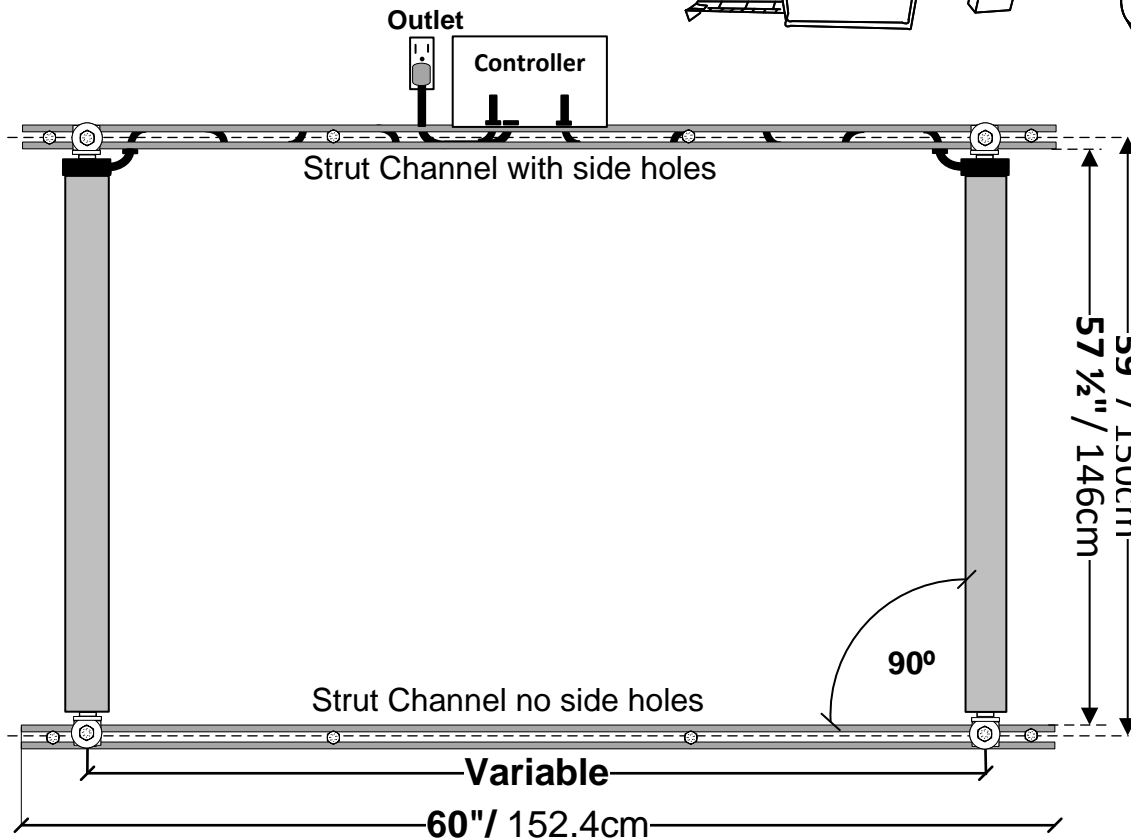
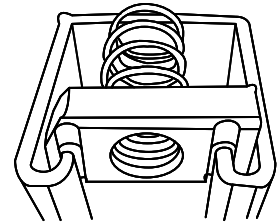
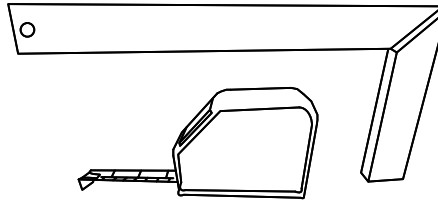
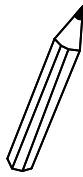
	<b>CAUTION</b> Stay away at least 3 feet during lifting		<b>CAUTION</b> Max Load 400 lbs.		<b>WARNING</b> This equipment presents serious injury hazards to children. Read through this entire manual to become familiar with the controls and operations before starting the equipment.		<b>WARNING</b> Watch for ceiling, floor and wall Clearance.
--	--	--	-------------------------------------	--	--	--	--

2001A

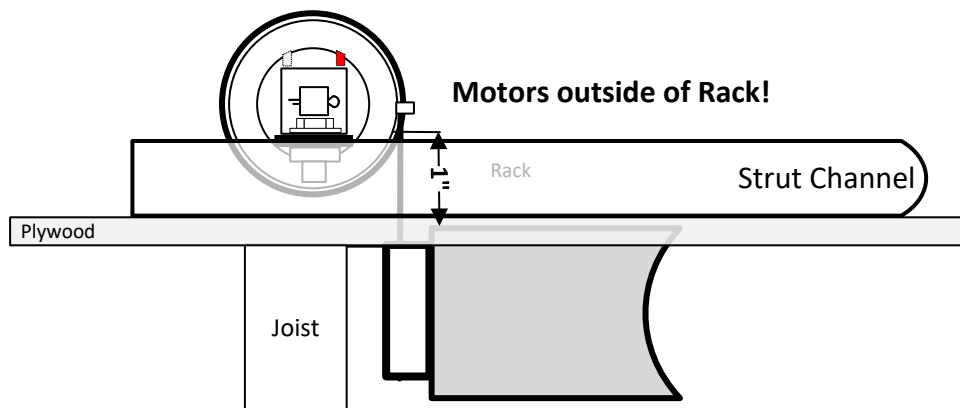
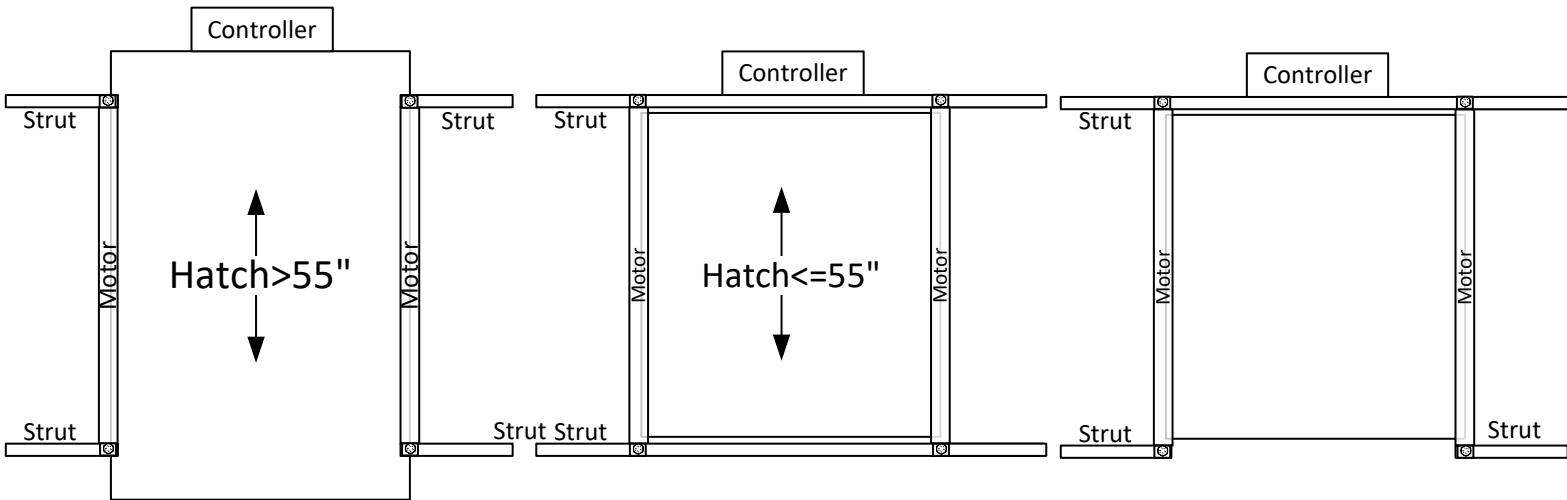


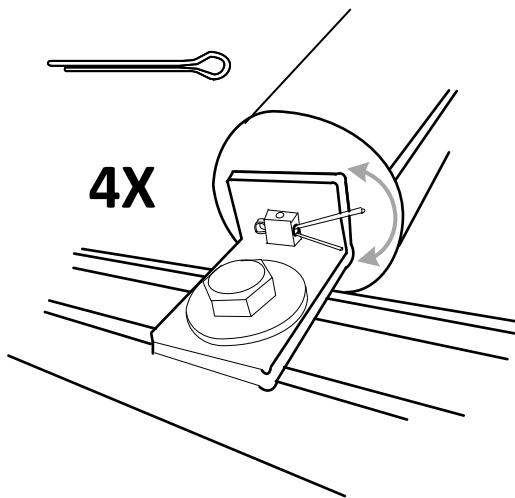
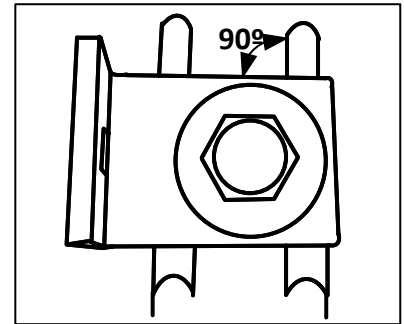
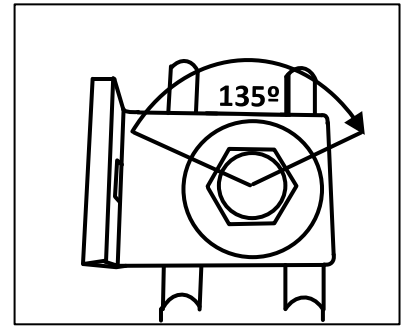
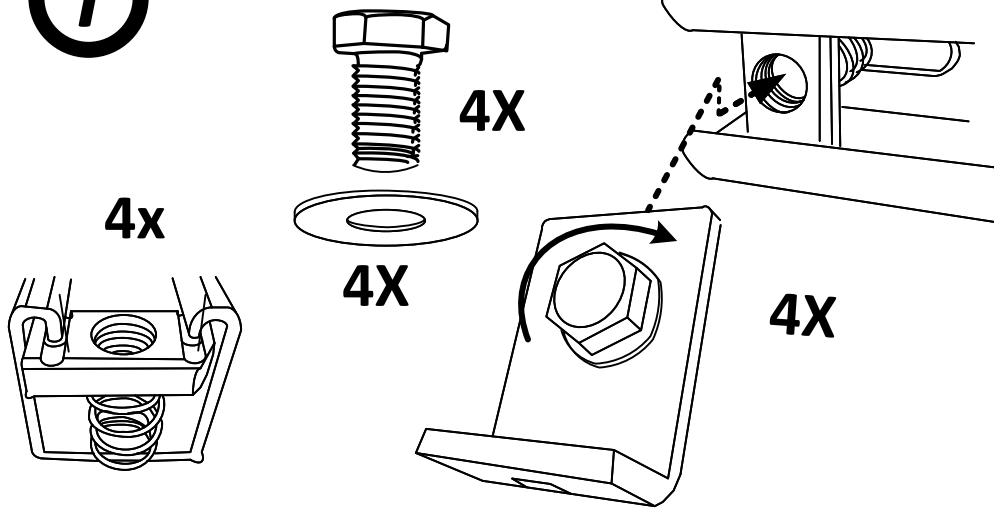
**i** Information

**t** Troubleshooting

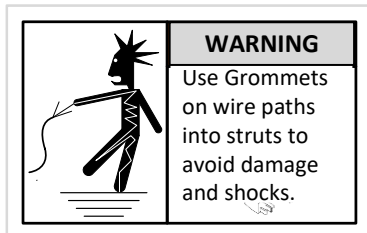
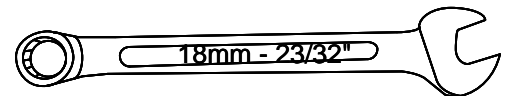


Distance for platform  
56" by 28"

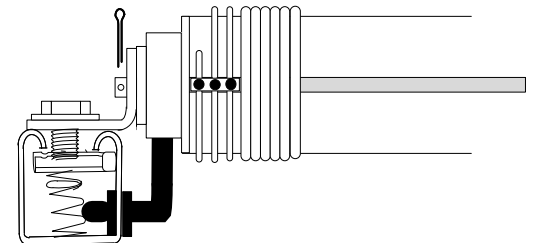
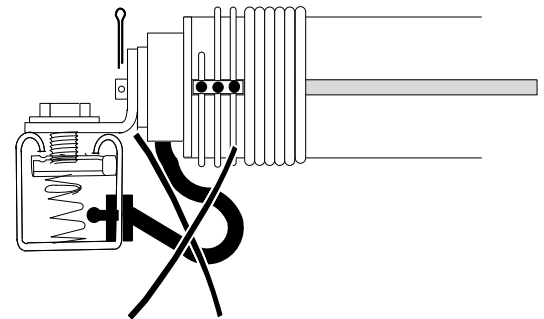
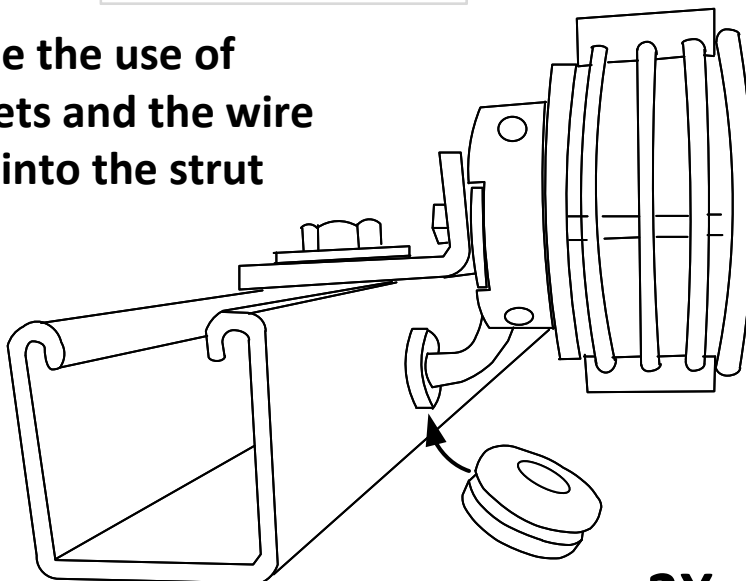




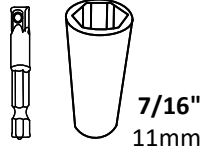
Tighten screw until the washer no longer rotates. Then tighten screw another 135° in the same direction.



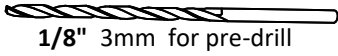
Note the use of grommets and the wire path into the strut



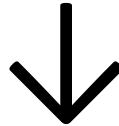
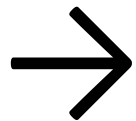
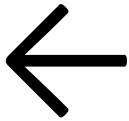
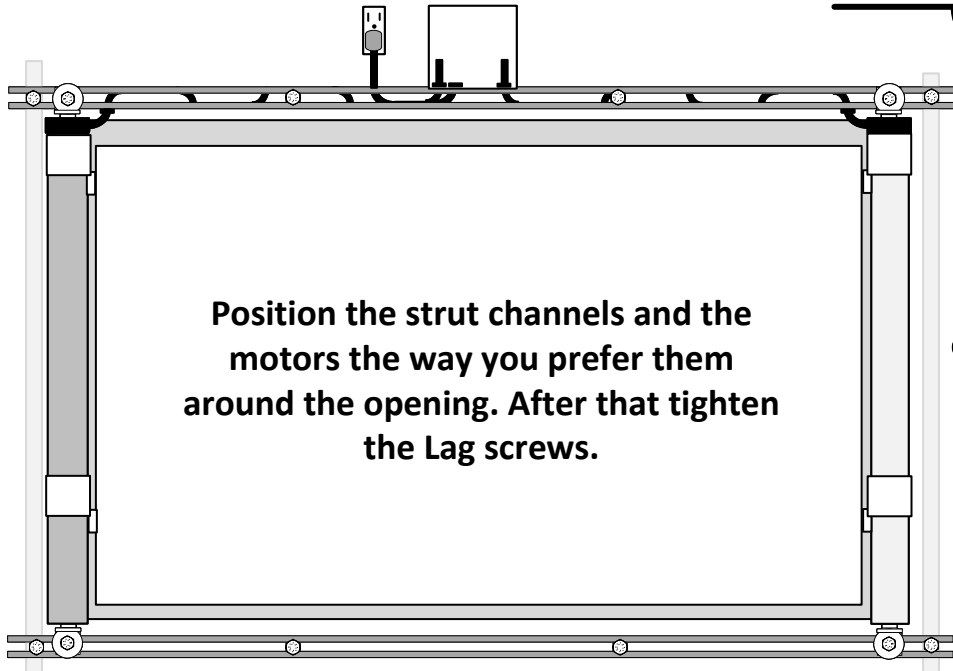
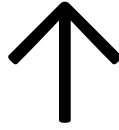
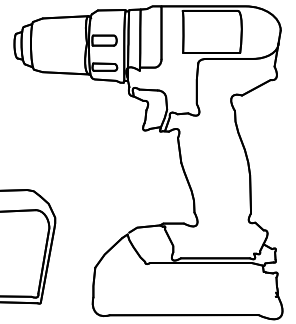
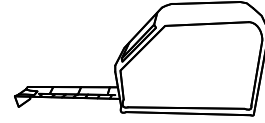
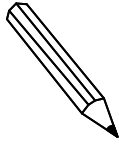
2X



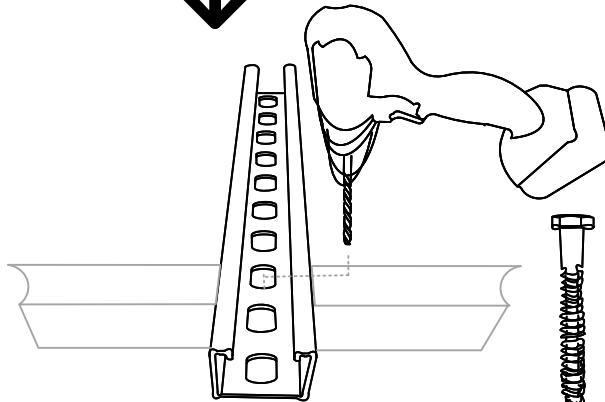
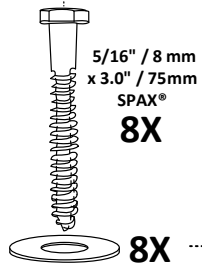
7/16" 11mm



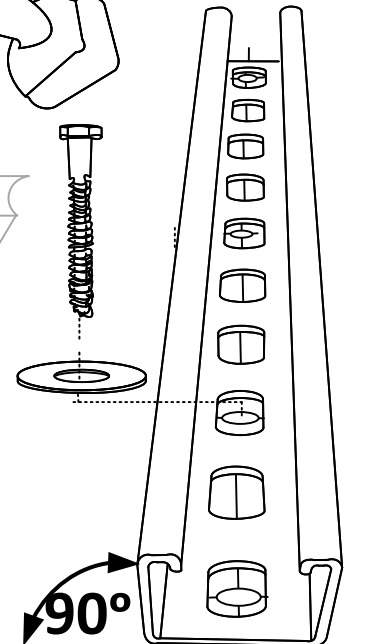
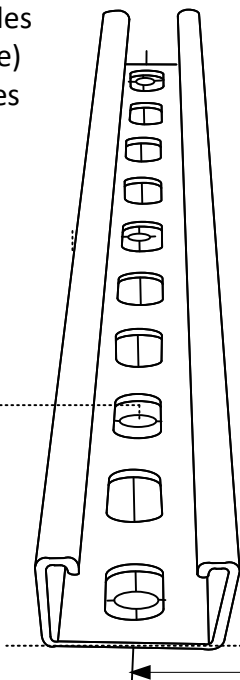
1/8" 3mm for pre-drill



Strut channels  
 1x with side holes  
 (Controller side)  
 1x no side holes



**!** Tighten screw until the washer no longer rotates. Then tighten screw another 10° in same direction.

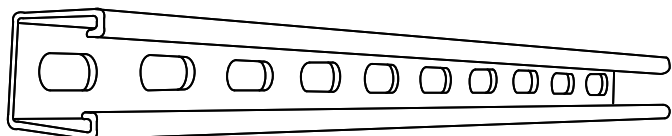


Variable



# 1

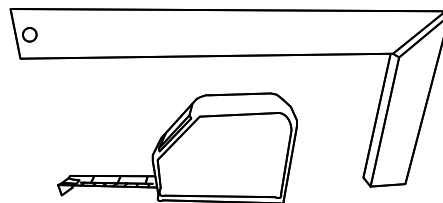
Strut Channels



**2X**



**2X**

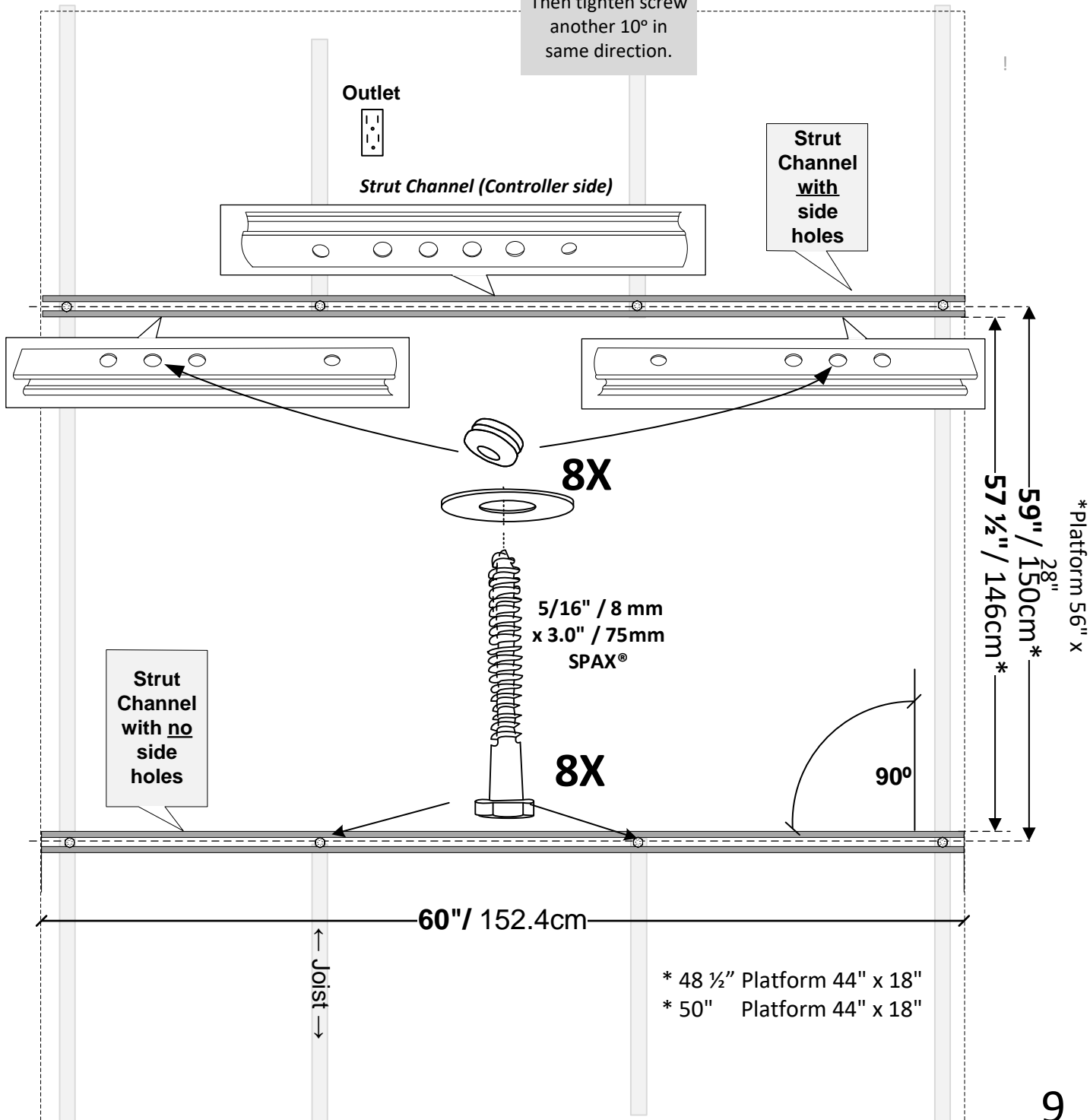


**1/8" / 3mm**  
(For pilot hole)

## Warning!

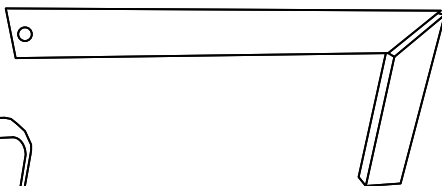
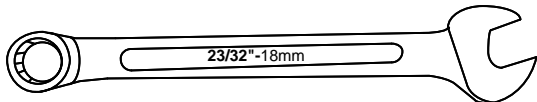
DO NOT use an Impact Driver to tighten the Lag screws!  
Tighten screw until the washer no longer rotates.

Then tighten screw another 10° in same direction.

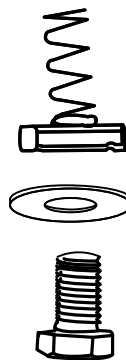
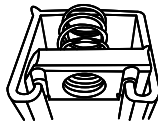


# 2

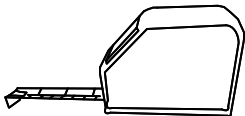
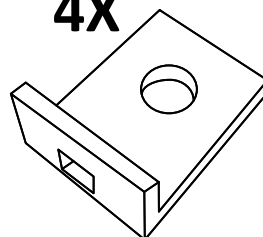
Motors



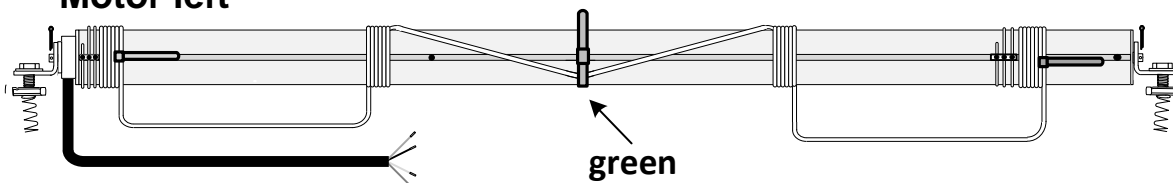
4X



4X

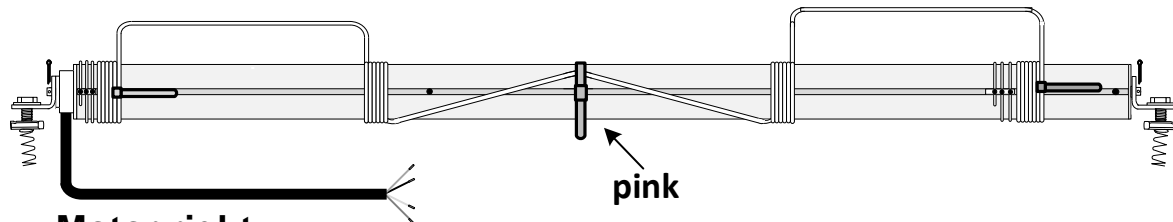


Motor left



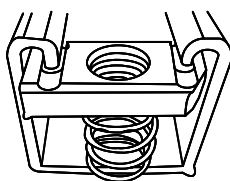
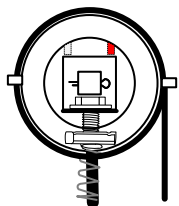
green

The black cables that come out of the motors need to come straight down towards floor.

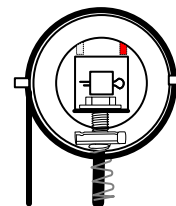


pink

Motor right



4x



60" / 152.4cm

Variable

Variable

Rail

Motor

Motor

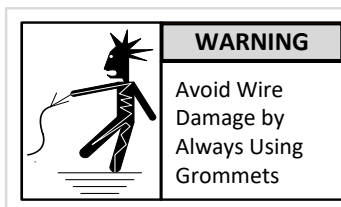
Green cable tie

Red cable tie

left

right

2X



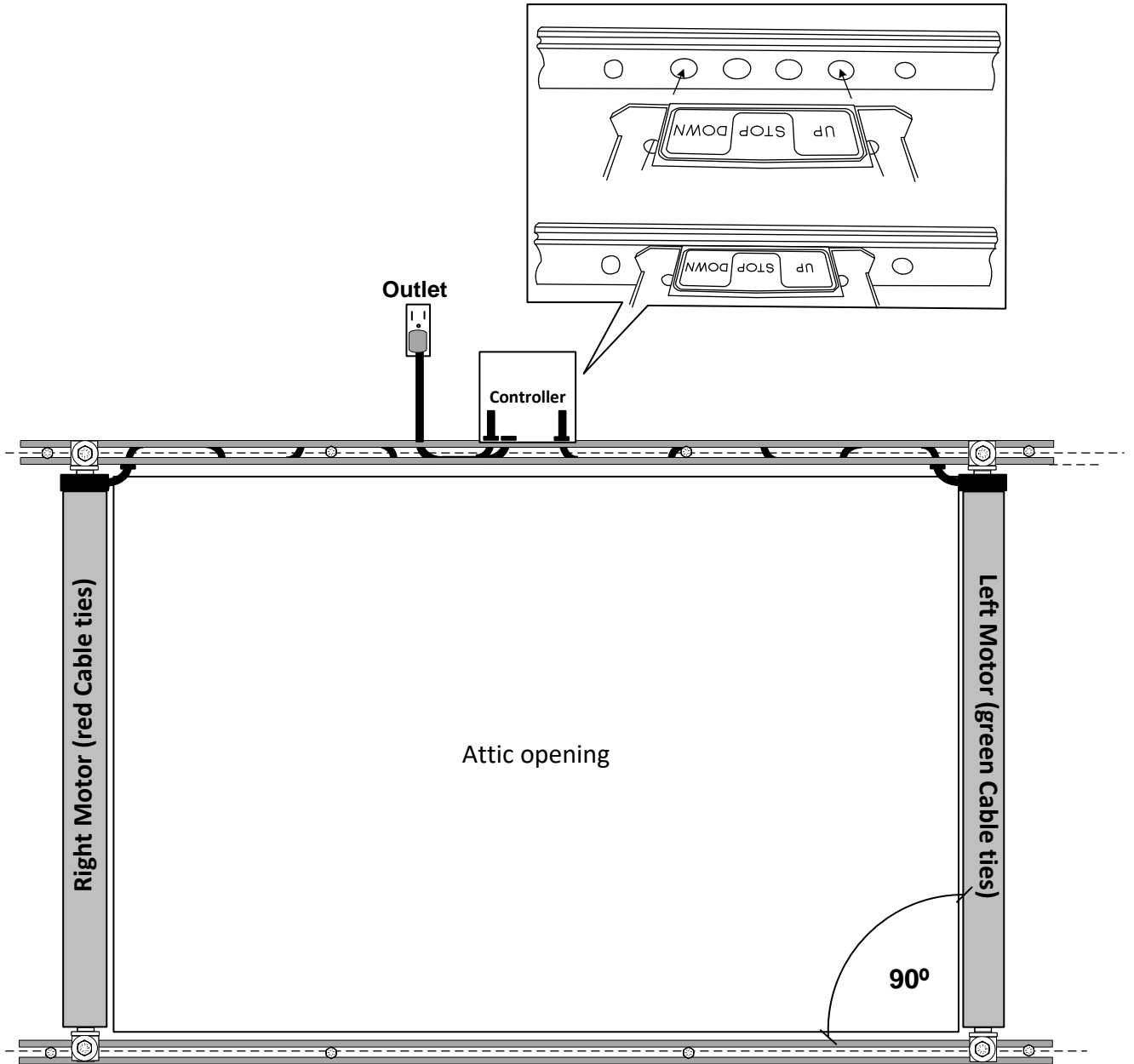
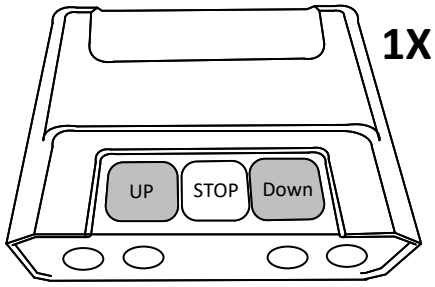
Controller

Outlet



# 3

Controller

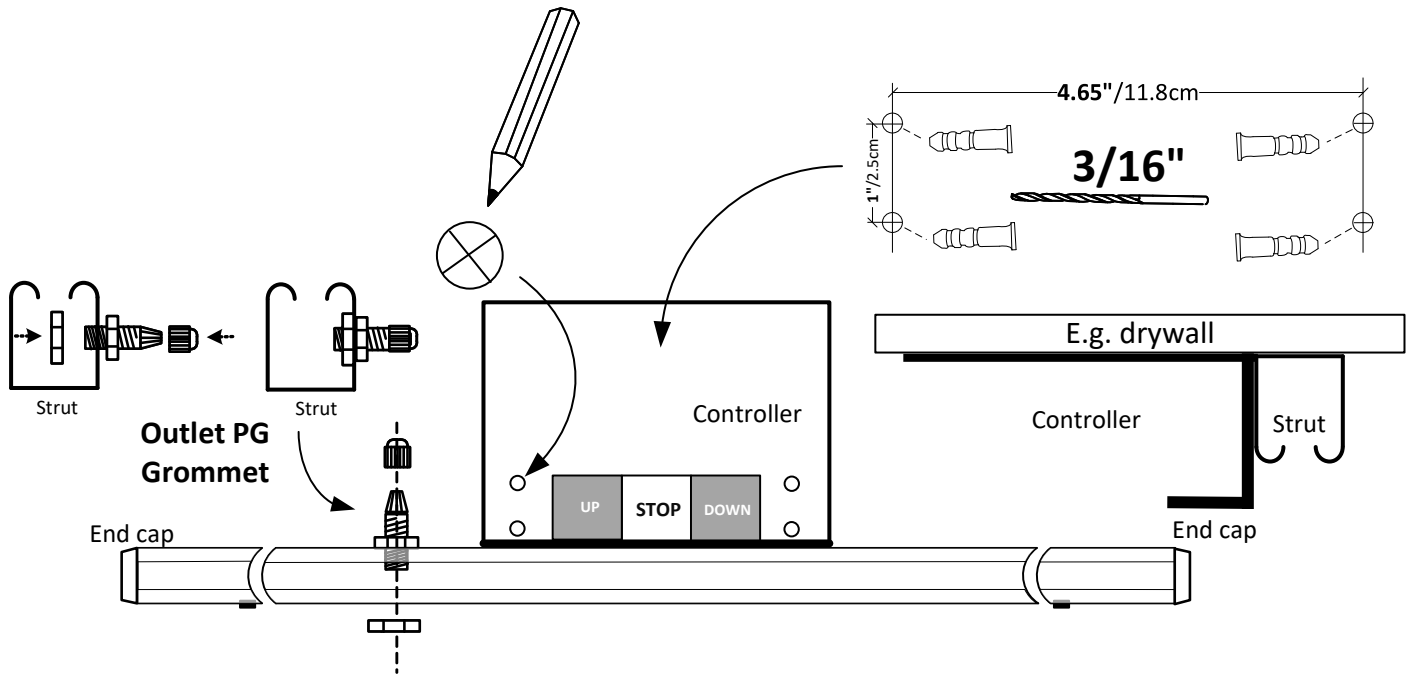
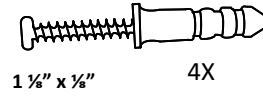
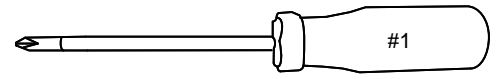


# 4

Controller

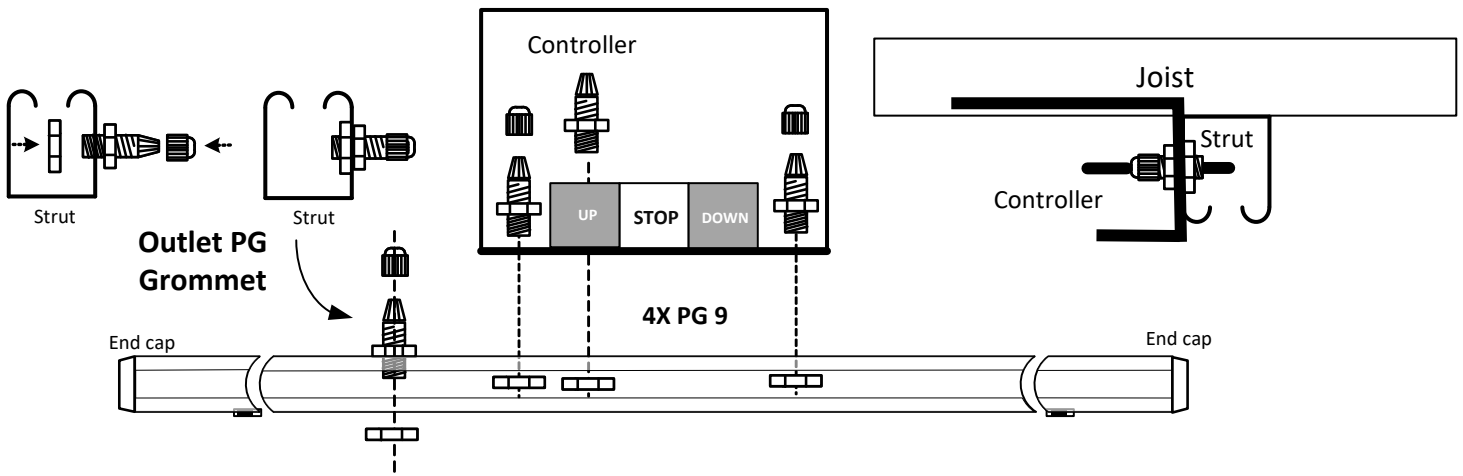
## CONTROLLER MOUNTING OPTIONS

### If Drywall/Concrete Ceiling:



- Use anchors for dry wall/concrete ceilings
- For outlet, always use PG grommets!

### If NO Drywall/Concrete Ceiling (open ceiling):



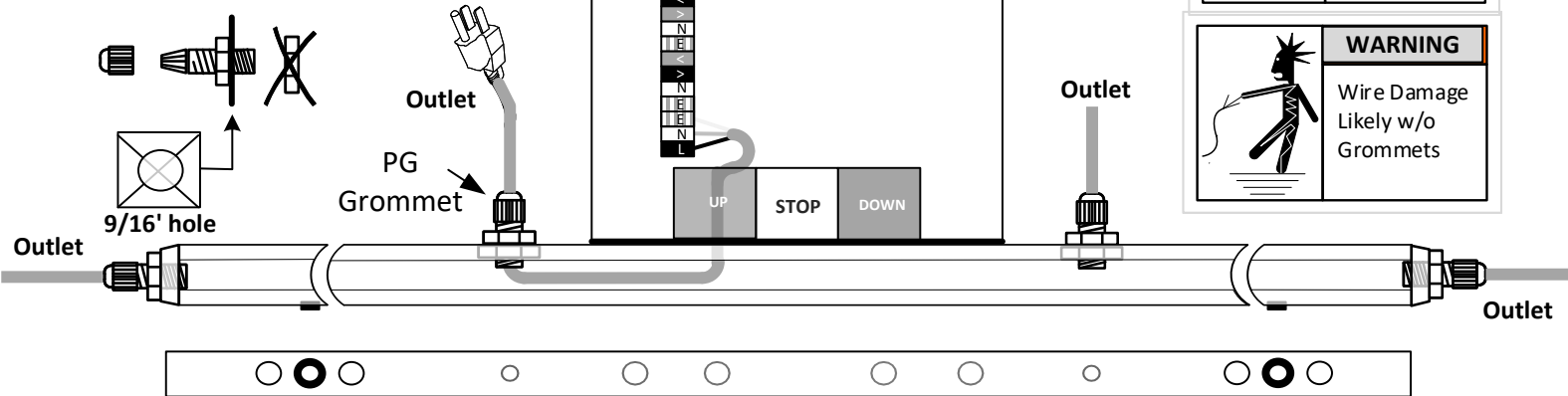
- PG grommets: If you have only joists, not e.g. drywall.
- For outlet, always use PG grommets!

# 5

## Wiring

# Controller wiring

Several options are available to route the power cable to the nearest outlet.



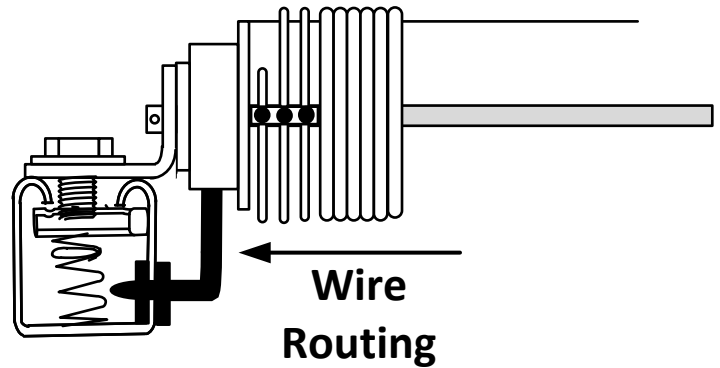
**WARNING**

Shock Hazard  
Disconnect power before working on wiring

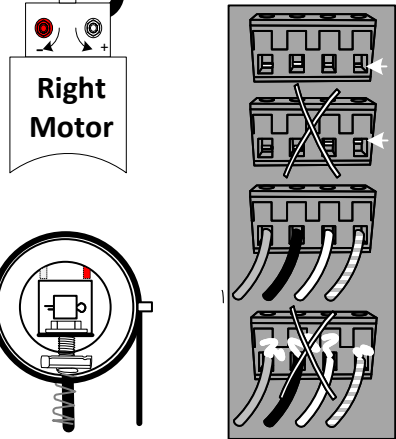
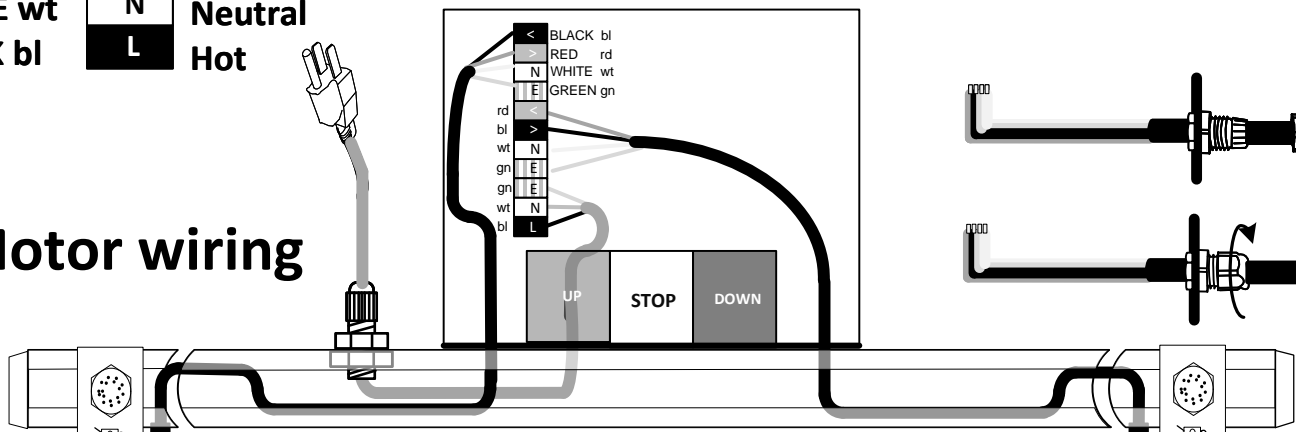
**WARNING**

Wire Damage  
Likely w/o Grommets

- |          |   |         |
|----------|---|---------|
| BLACK bl | < | Down    |
| RED rd   | > | UP      |
| WHITE wt | N | Neutral |
| GREEN gn | E | Earth   |
| RED rd   | < | Down    |
| BLACK bl | > | UP      |
| WHITE wt | N | Neutral |
| GREEN gn | E | Earth   |
| GREEN gn | E | Earth   |
| WHITE wt | N | Neutral |
| BLACK bl | L | Hot     |



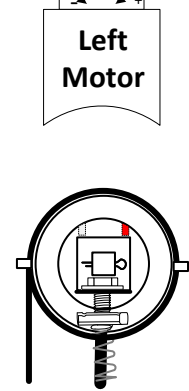
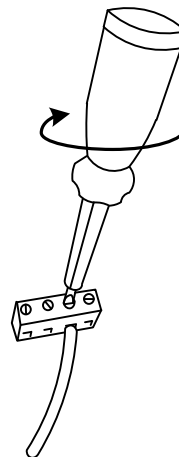
## Motor wiring



Motor Connector

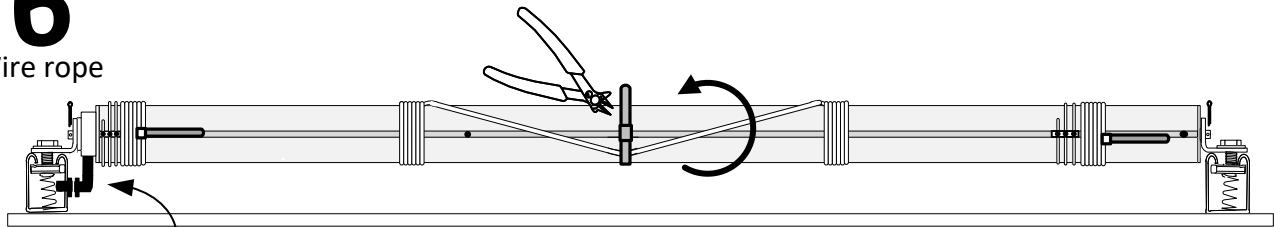
*Before connecting to the outlet, make sure that all wires are tightly connected*

Wires are connected by tightening binding screws on the top of the green motor connector blocks



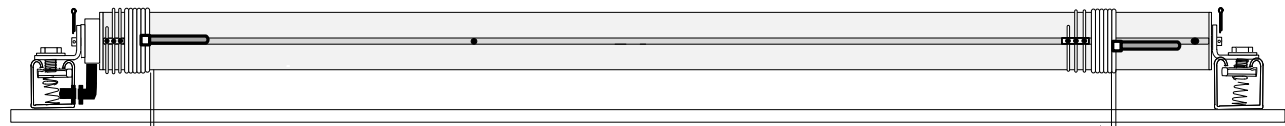
# 6

Wire rope

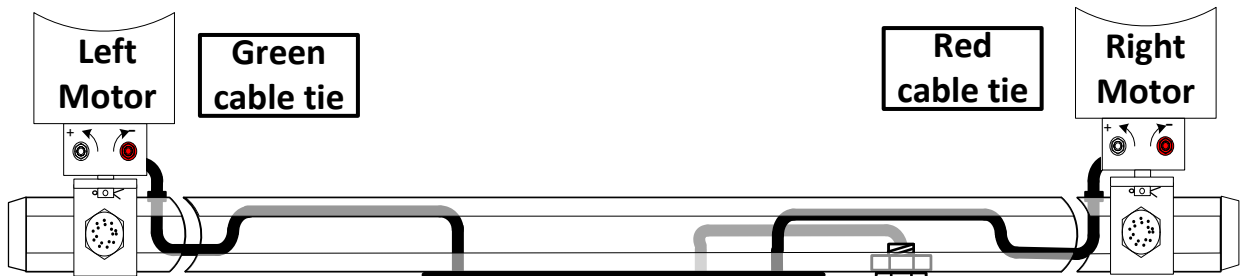


Cable in direction floor

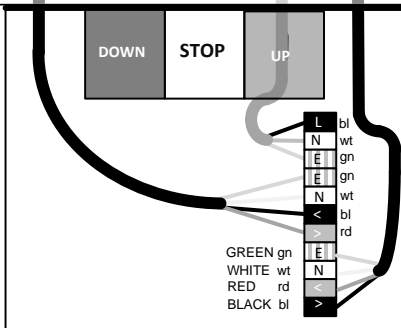
Left Motor



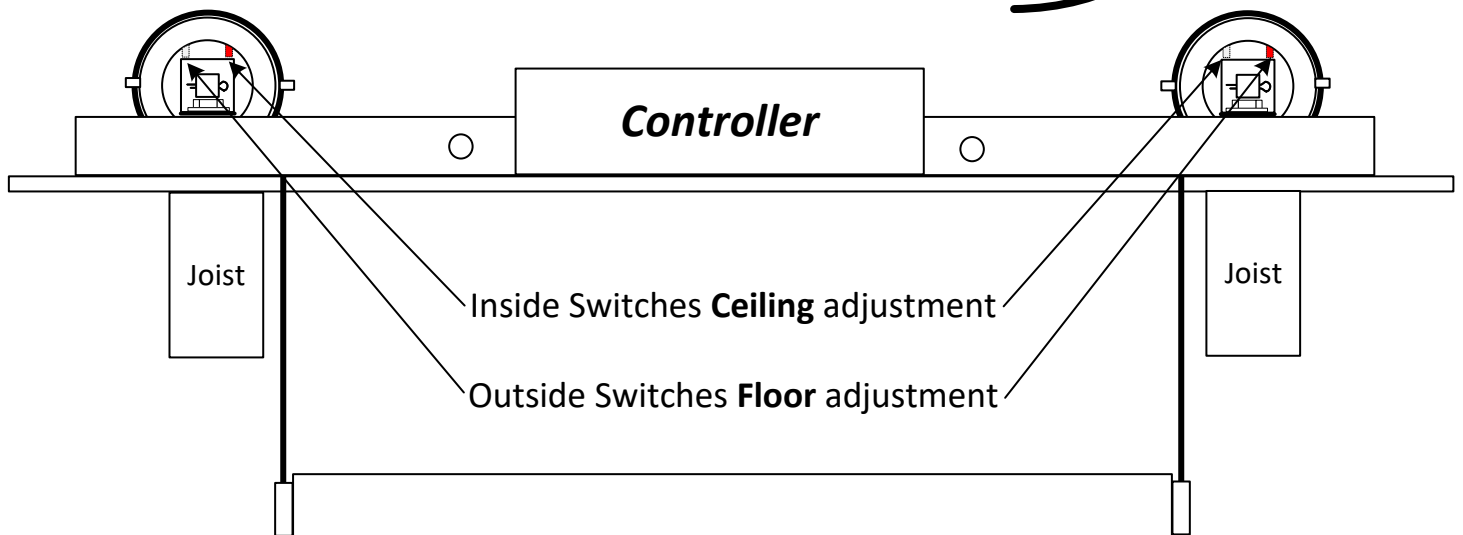
After cutting the middle cable tie, the wire rope must be unrolled from the tube until it stops due to the other remaining cable ties.



The black cables that come out of the motors needs to come straight down towards floor.

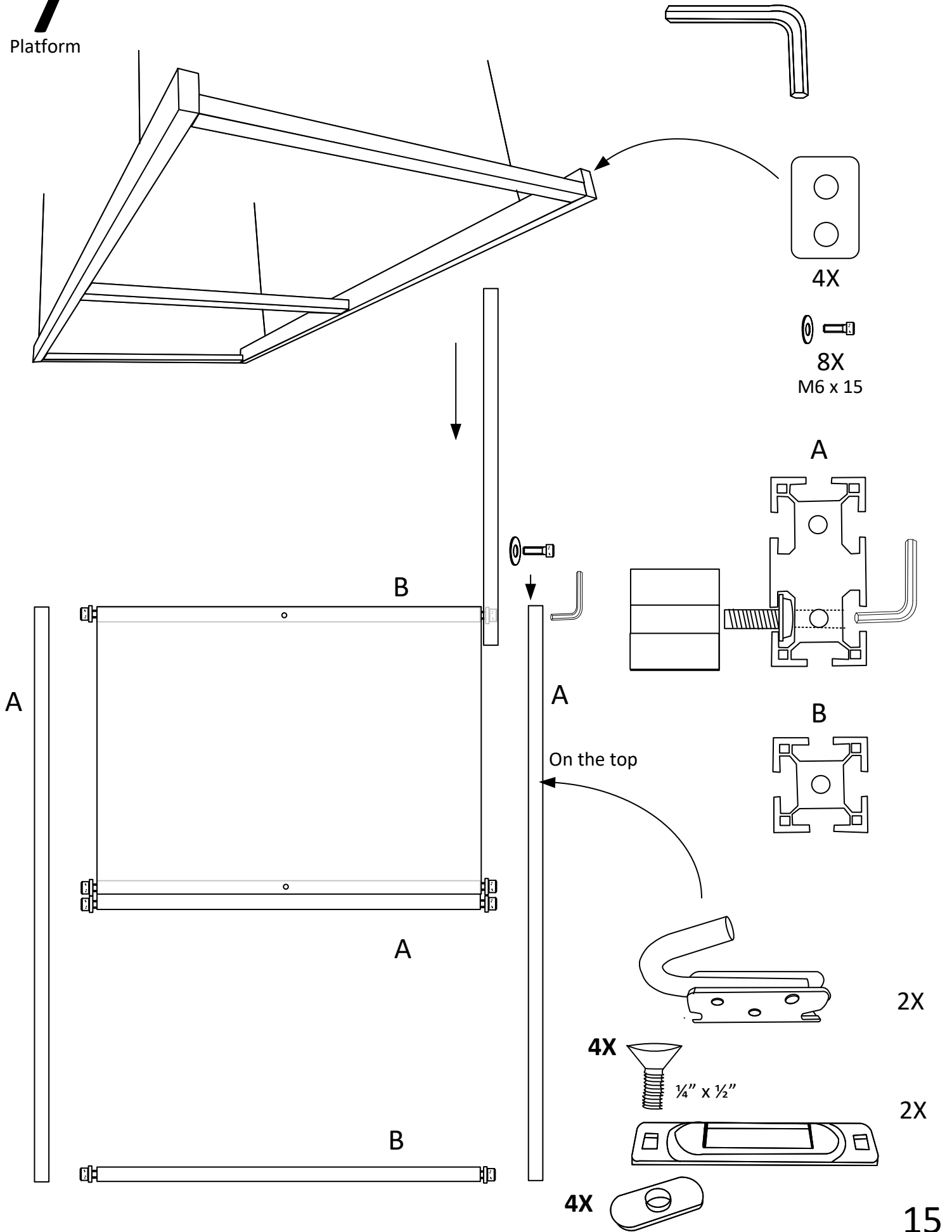


Rotated view (90°)



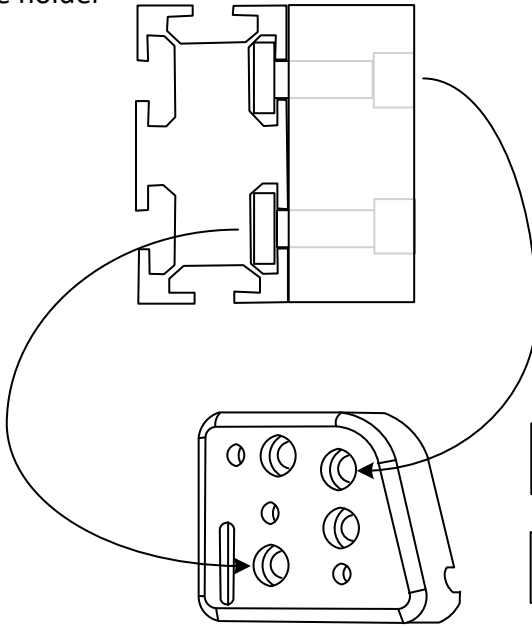
# 7

## Platform

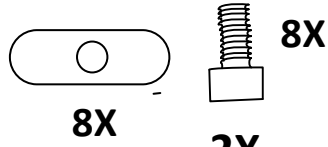


# 8

Rope holder



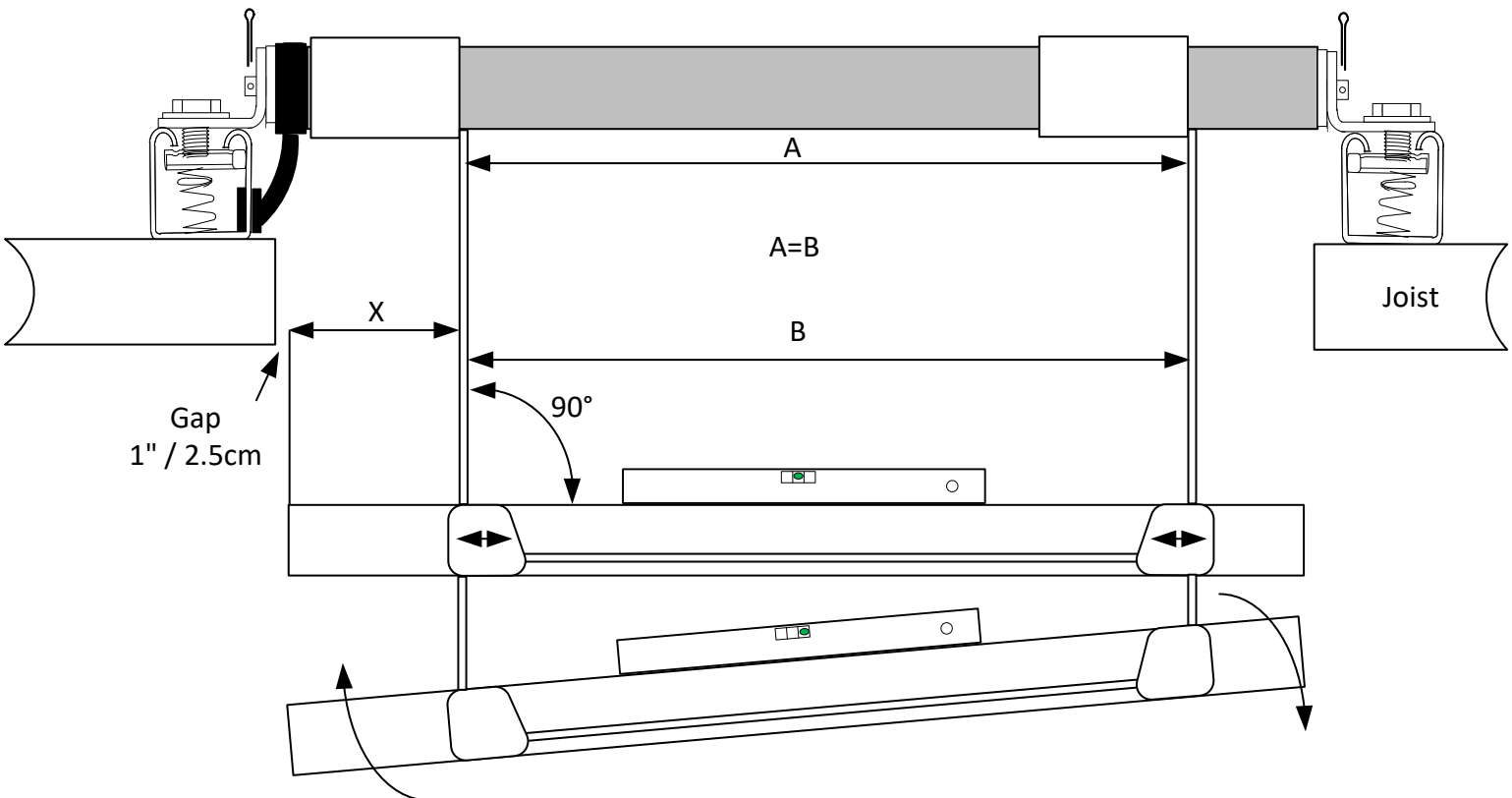
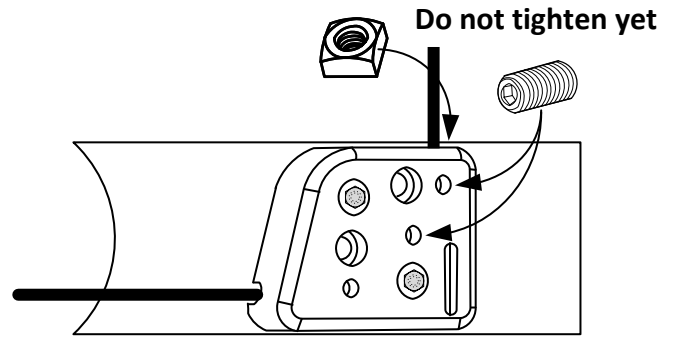
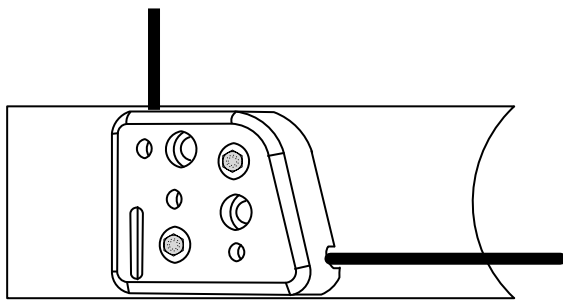
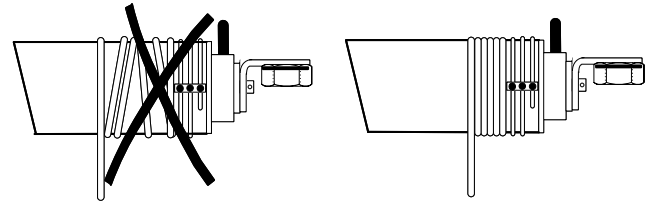
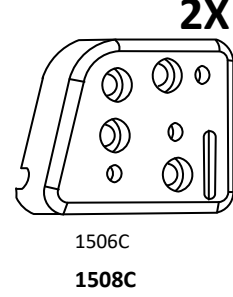
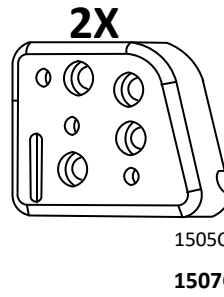
1/4" x 3/4"



M5 x 12mm



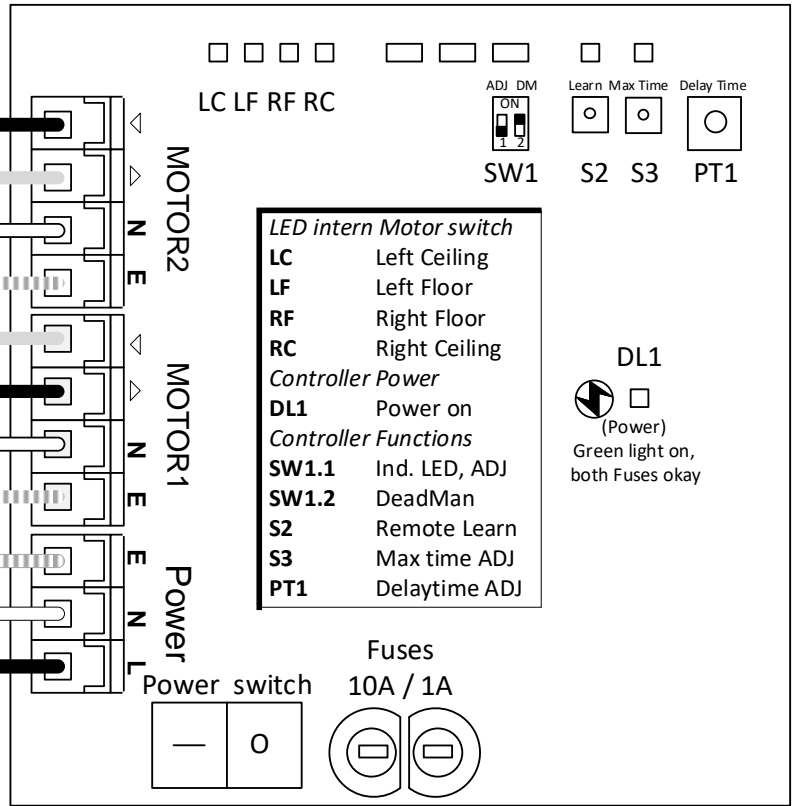
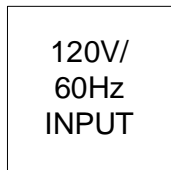
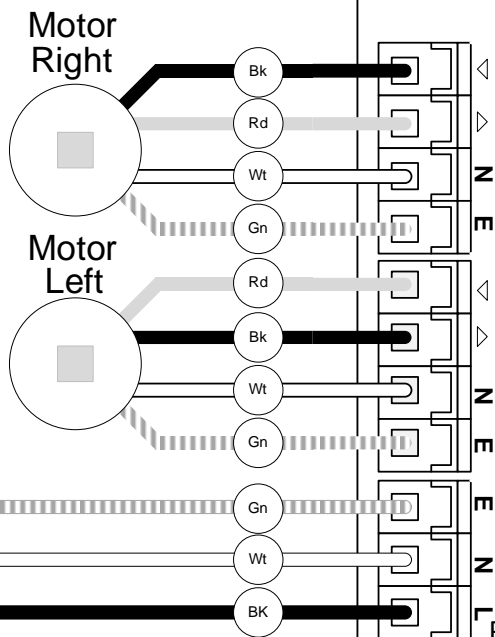
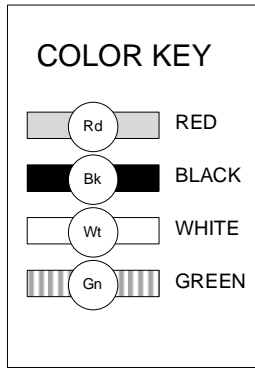
M5







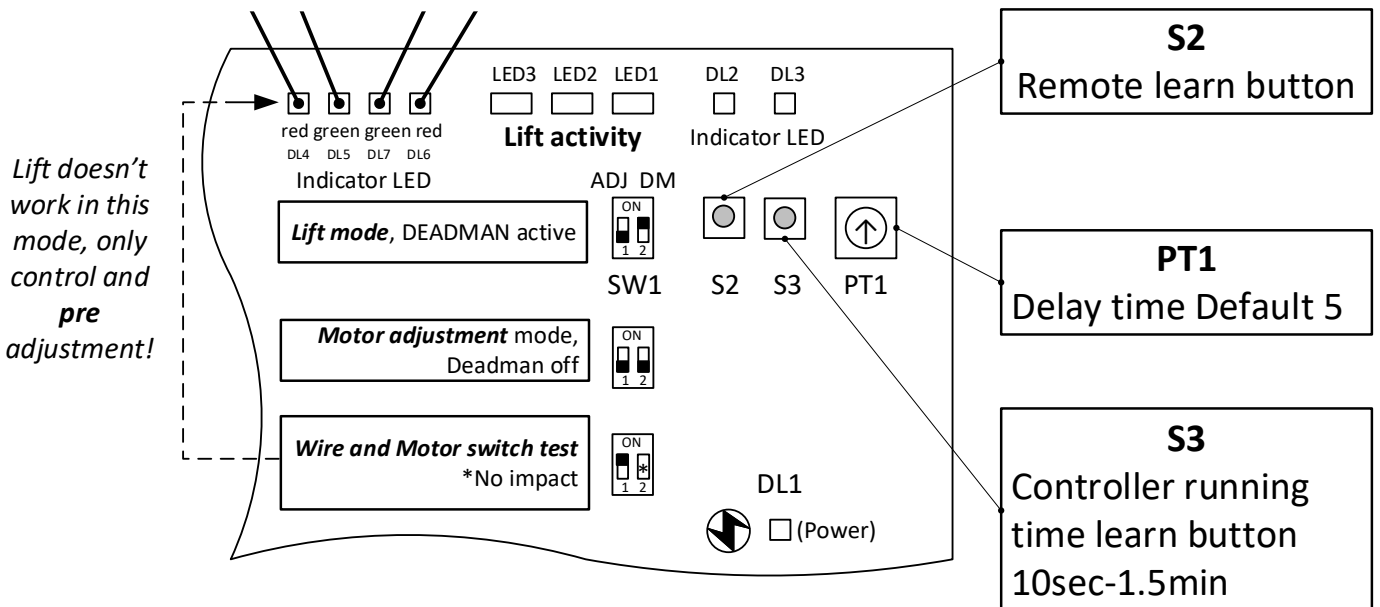
# Overview Controller



## IMPORTANT MOTOR ARRANGEMENT

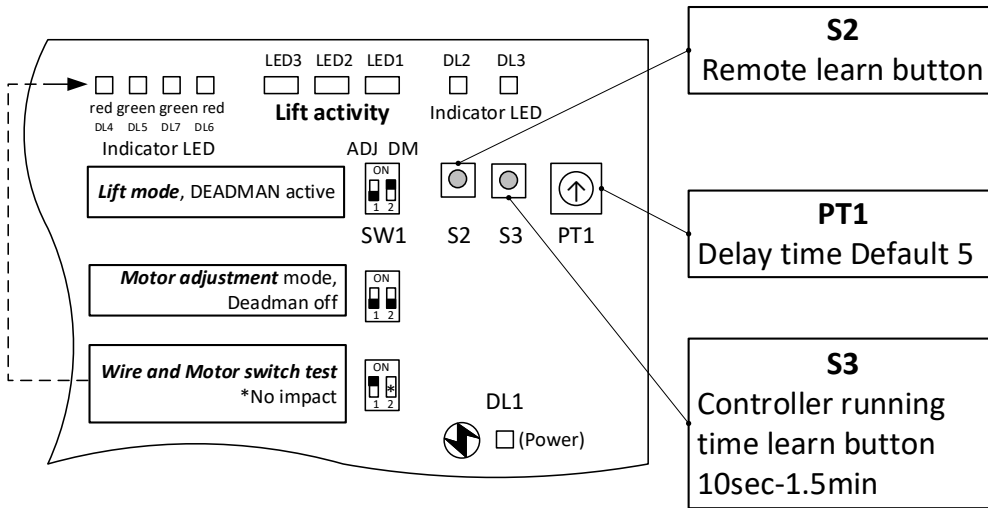
If you change something  
the manual doesn't fit anymore!

Motors Switches indicator  
**Right Motor**      **Left Motor**  
 Floor Ceiling      Ceiling Floor





# Motor Adjustment (leveling), Preparation

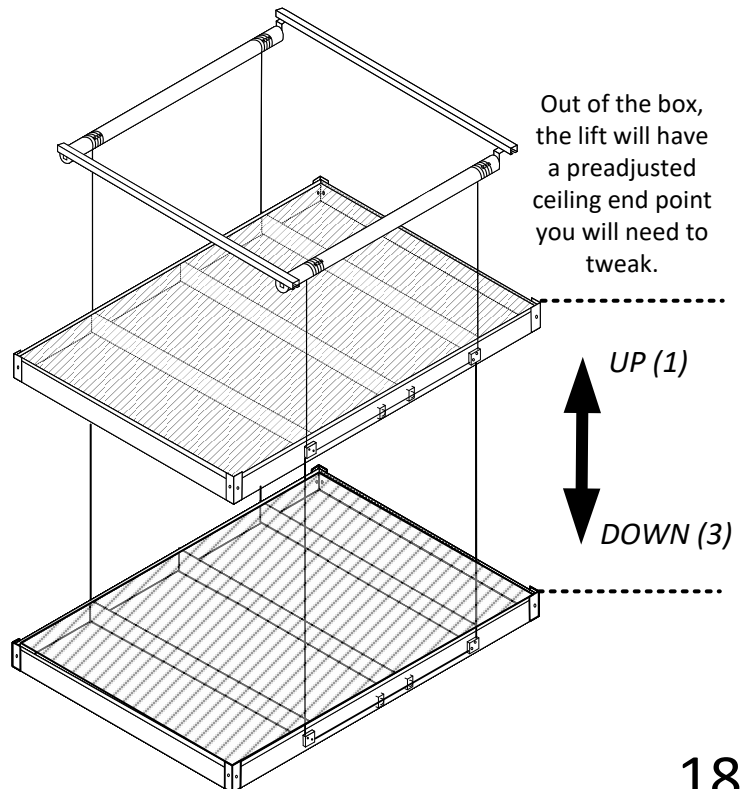
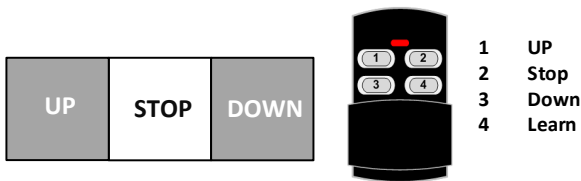


**DeadMan off- press key (up/down) once and the lift runs. Press STOP 2 This function for adjustment only!**

**Do not use PT1  
S2 and S3 for  
adjustment!**

**Most important! All switches work the same way, even though their labeling is different. Before you start to turn the stop (motor limit) switches, please be sure that you are turning them in the right direction!**

## Controller Keys



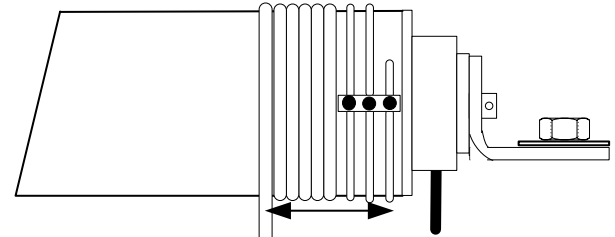


# Motor Adjustment (leveling), Preparation

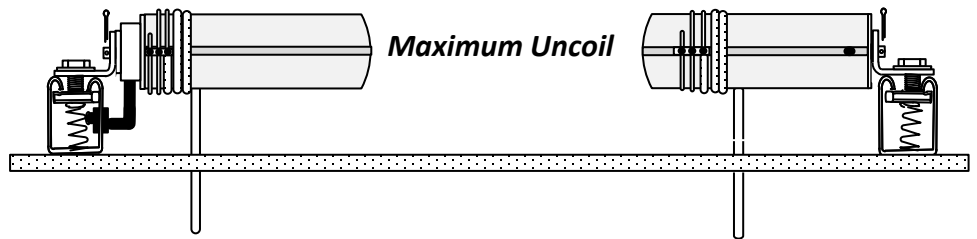
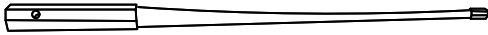
## Technical information for 400 lbs lift

Max travel is	15.4 feet/ 4.70m & storage
1 tube rotation	12 turns on the stop switches
1 tube rotation	9" / 22cm
1 turn on stop switch	3/4" / 2cm
Smallest movement	1/16" / 1mm
Movement Rack 14'*	4"/10cm
Switch turns	250
Travel speed	8'/min

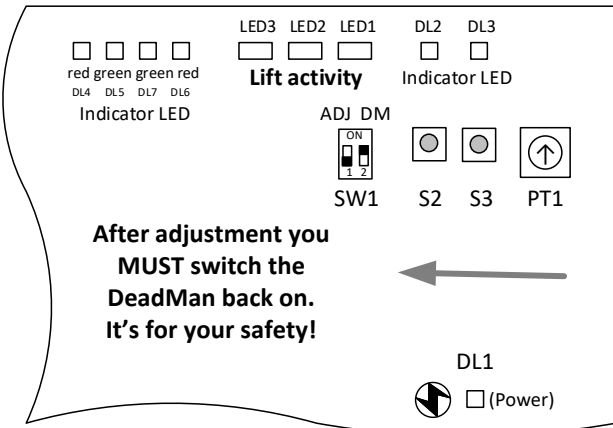
\*Movement Rack



Only turn the switches by hand with the tool provided  
Stop turning immediately if you feel a mechanical click in the switch when turning.



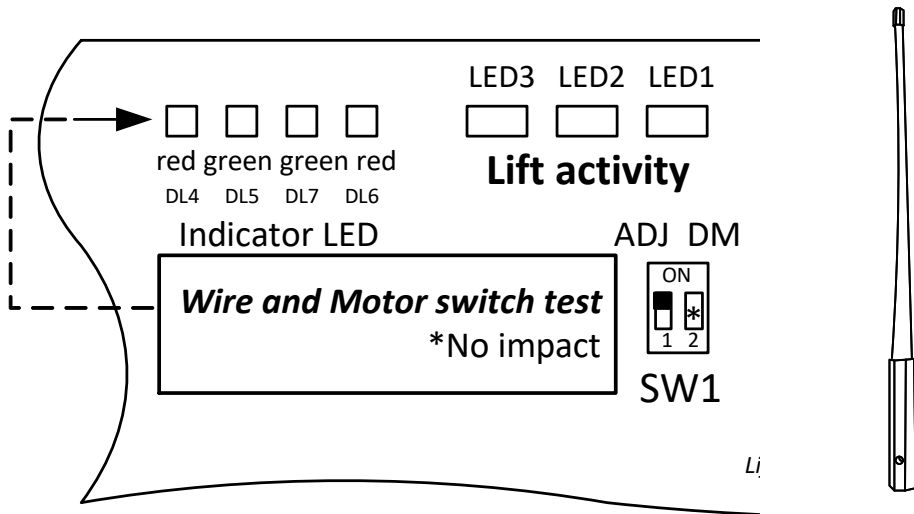
Adjustment is only possible with the **DeadMan switch OFF**, and after a motor limit has been reached or lift is stopped manually (white LED lights on controller are lit and stay on).



**DeadMan Function:** You use only the UP and DOWN buttons. You have to hold the button to make the lift move. When you release the button the equipment will stop immediately. If a key gets jammed you can stop the equipment with the stop button.

# 11

## Prepare Adjustment



### Motors Switches

Floor	Ceiling		Ceiling	Floor	
red DL4	green DL5		green DL7	red DL6	Indicator LED's Status
<input type="checkbox"/>	<input type="checkbox"/>		<input type="checkbox"/>	<input type="checkbox"/>	on <input type="checkbox"/> off <input type="checkbox"/>
<input type="checkbox"/>	<input type="checkbox"/>		<input type="checkbox"/>	<input type="checkbox"/>	
<input type="checkbox"/>	<input type="checkbox"/>		<input type="checkbox"/>	<input type="checkbox"/>	
<input type="checkbox"/>	<input type="checkbox"/>		<input type="checkbox"/>	<input type="checkbox"/>	
<input type="checkbox"/>	<input type="checkbox"/>		<input type="checkbox"/>	<input type="checkbox"/>	
<input type="checkbox"/>	<input type="checkbox"/>		<input type="checkbox"/>	<input type="checkbox"/>	
<input type="checkbox"/>	<input type="checkbox"/>		<input type="checkbox"/>	<input type="checkbox"/>	
<input type="checkbox"/>	<input type="checkbox"/>		<input type="checkbox"/>	<input type="checkbox"/>	
<input type="checkbox"/>	<input type="checkbox"/>		<input type="checkbox"/>	<input type="checkbox"/>	
<input type="checkbox"/>	<input type="checkbox"/>		<input type="checkbox"/>	<input type="checkbox"/>	
<input type="checkbox"/>	<input type="checkbox"/>		<input type="checkbox"/>	<input type="checkbox"/>	
<input type="checkbox"/>	<input type="checkbox"/>		<input type="checkbox"/>	<input type="checkbox"/>	
<input type="checkbox"/>	<input type="checkbox"/>		<input type="checkbox"/>	<input type="checkbox"/>	
<input type="checkbox"/>	<input type="checkbox"/>		<input type="checkbox"/>	<input type="checkbox"/>	

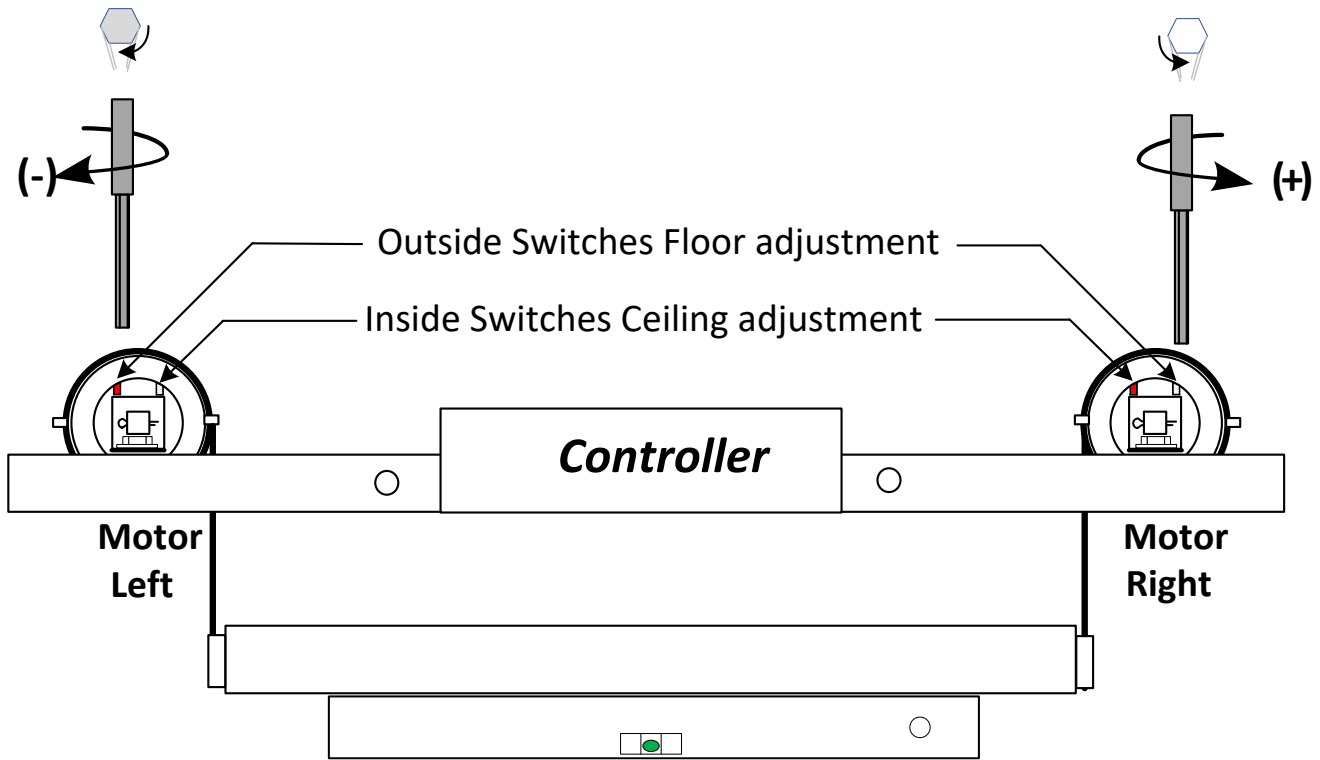
- Motors are working
- Motors are at the floor position
- Motors are at the Ceiling position
- Left Motor is overheated or misadjustment, wait for 20 min.
- All Motors overheated or misadjusted, wait for 20min.
- Did you wait for 20min (nothing happened)? Turn all Motor switches 40 times lefty loosy (+) until all LED's are back on.
- Turn inside (left Motor) -and Outside switch (right Motor) until all LED's are on.
- Step2: Turn all switches righty tighty (-) until all LED's off.
- Step3: Turn all Motor switches 30 times lefty loosy (+).
- Did you turn the left Motor inside switch more than 40 times? And the LED still off? Please control the electrical wiring, green connectors and cable screws!

# 12

## Adjustment hints

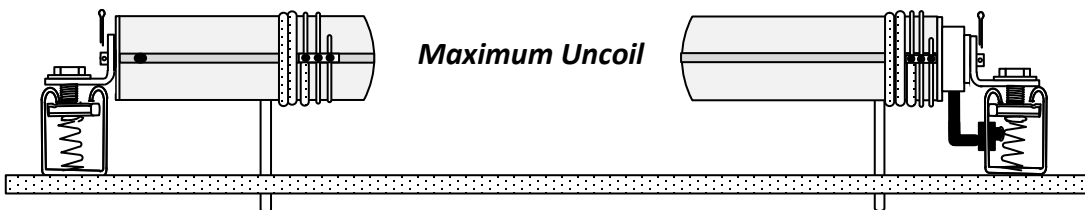
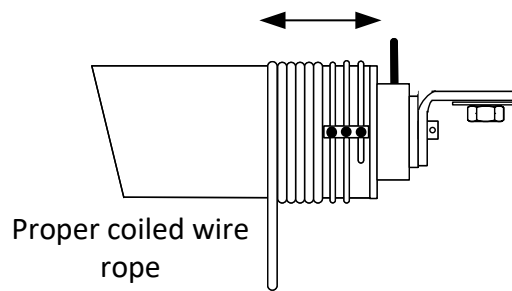
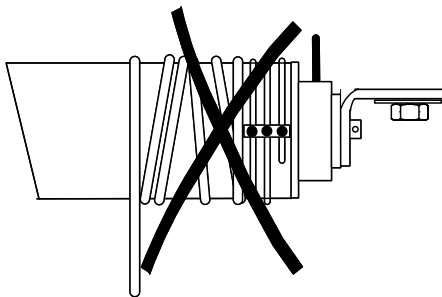
**Rightly tighty**

**Lefty loosey**

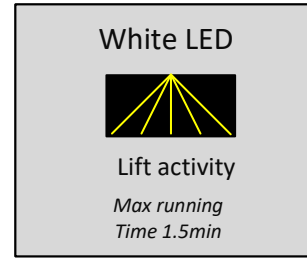
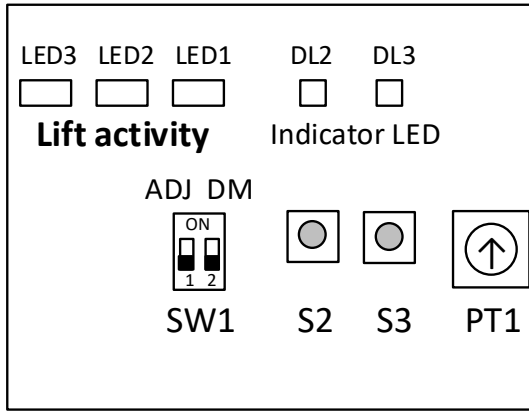


Extension stick 3', 1m

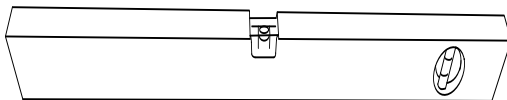
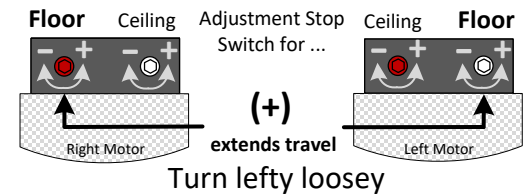
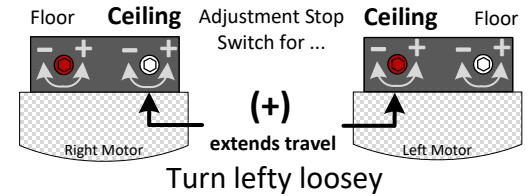
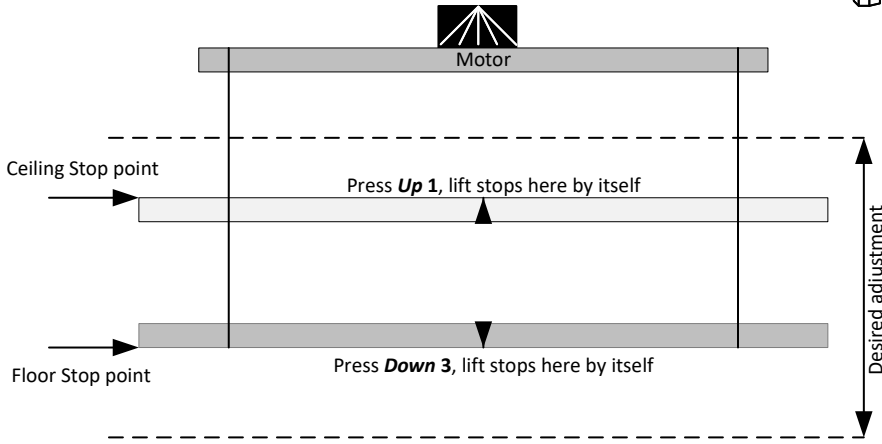
With an extension stick you can easy adjust the motors from the floor!



# 13 Level Adjustment



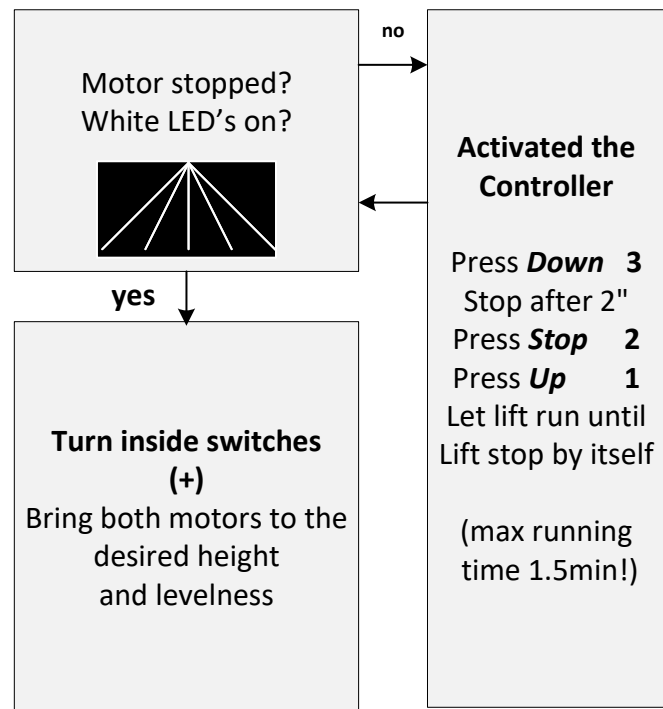
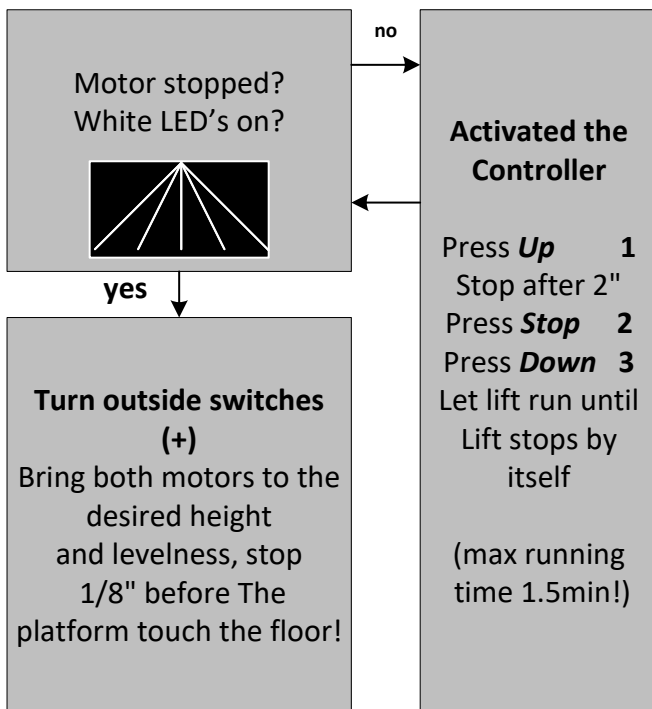
Overheated? Not running just clicking?  
 Motors were running more than 4min?  
 Allow motors to cool for 20min



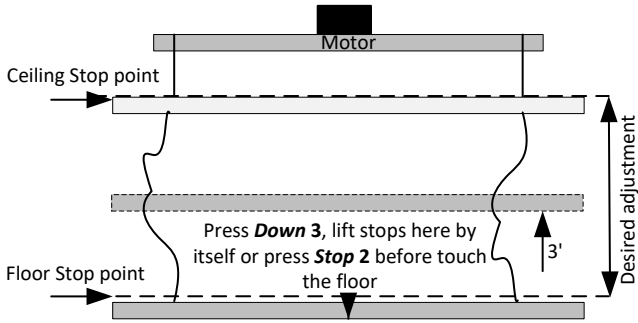
Put a level on the platform between the motors and control the levelness of the platform

## Floor Adjustment

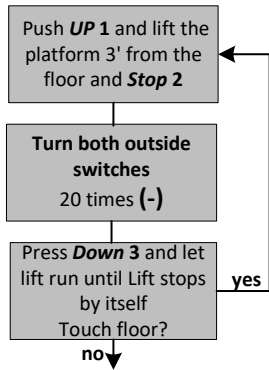
## Ceiling Adjustment



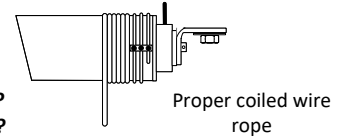
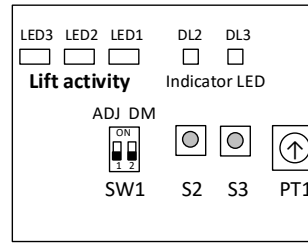
# 14 Level Adjustment



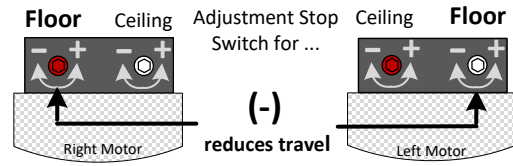
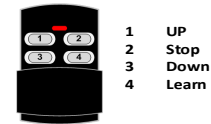
## Floor Adjustment Preparation (too low)



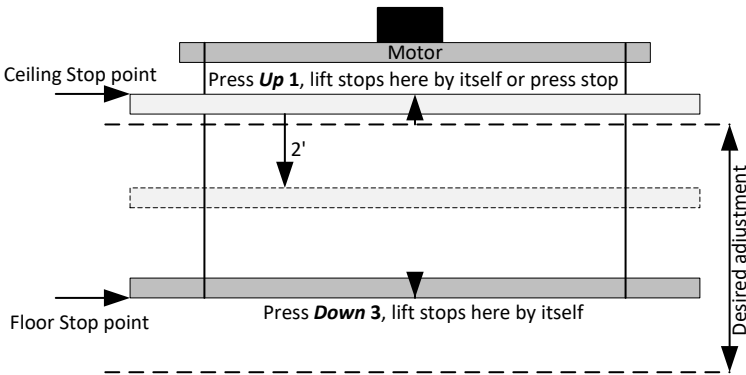
### Floor Adjustment (Page 25)



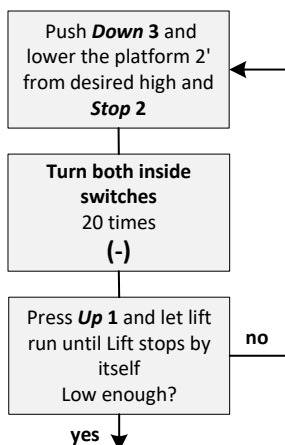
Overheated? No running only clicking?  
Motors were running more than 4min?  
Allow motors to cool for 20min



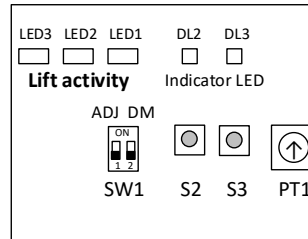
Turn righty tighty



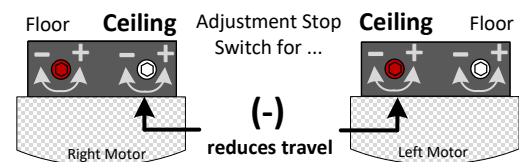
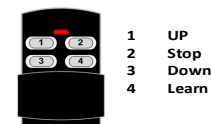
## Ceiling Adjustment Preparation (too high)



### Ceiling Adjustment (Page 25)



Overheated? No running only clicking?  
Motors were running more than 4min?  
Allow motors to cool for 20min

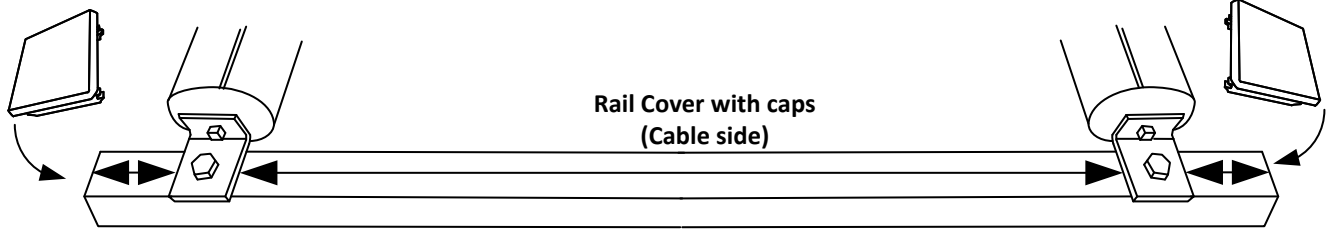


Turn righty tighty

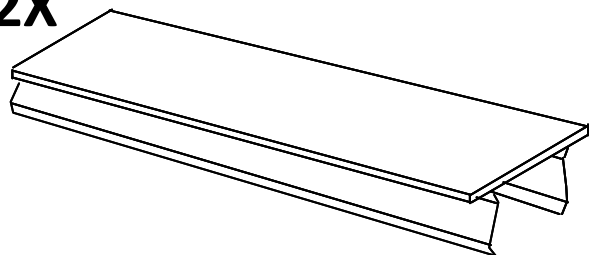
# 15

Strut Cover

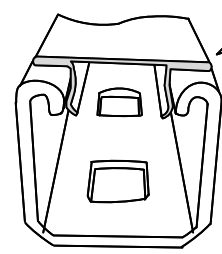
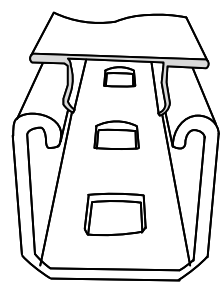
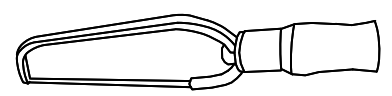
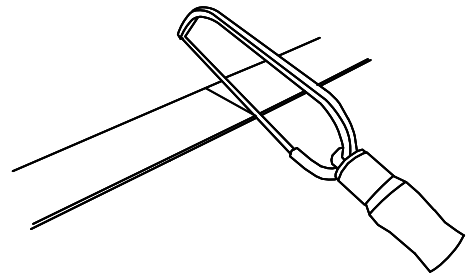
4X



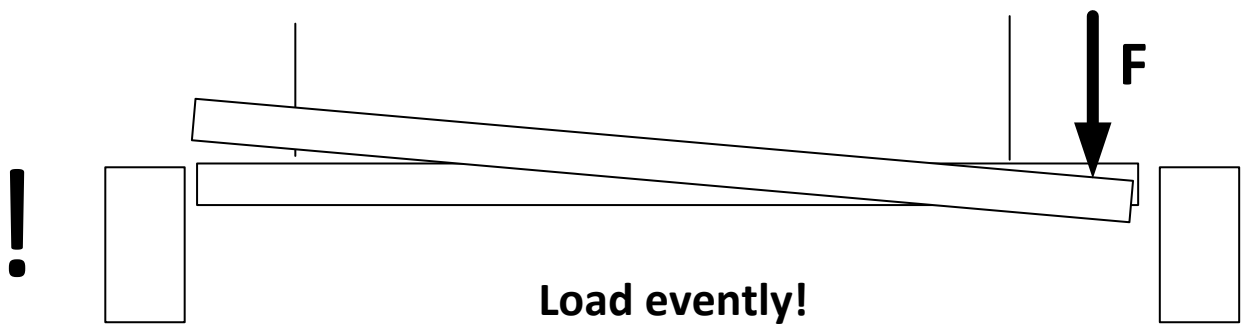
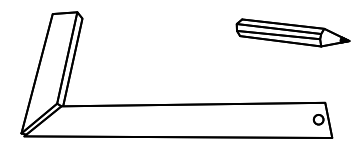
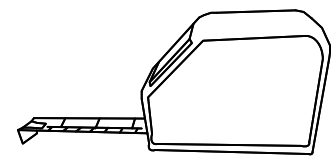
2X



5'/150cm



Click



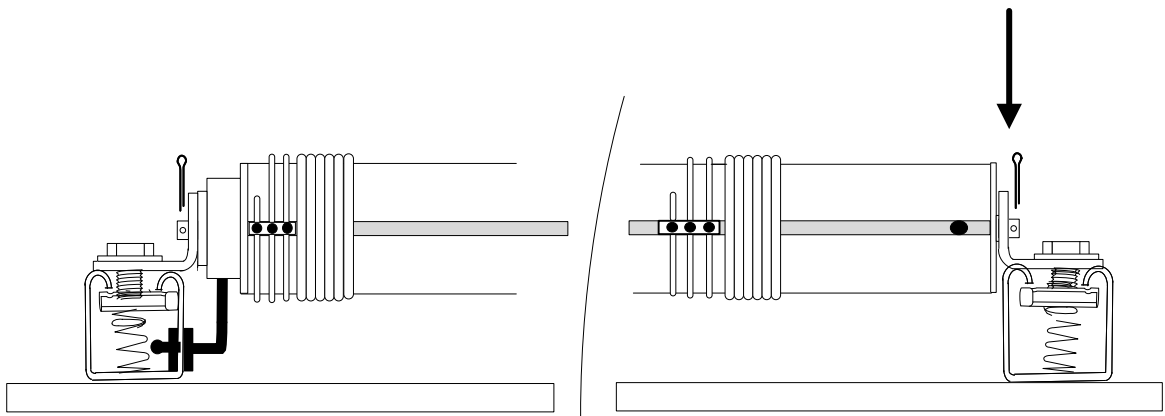
If you are done with the adjustment, please switch the DeadMan function back on

Important! The Lift has to run to the ceiling end points (stopped automatically) in order to be leveled properly.

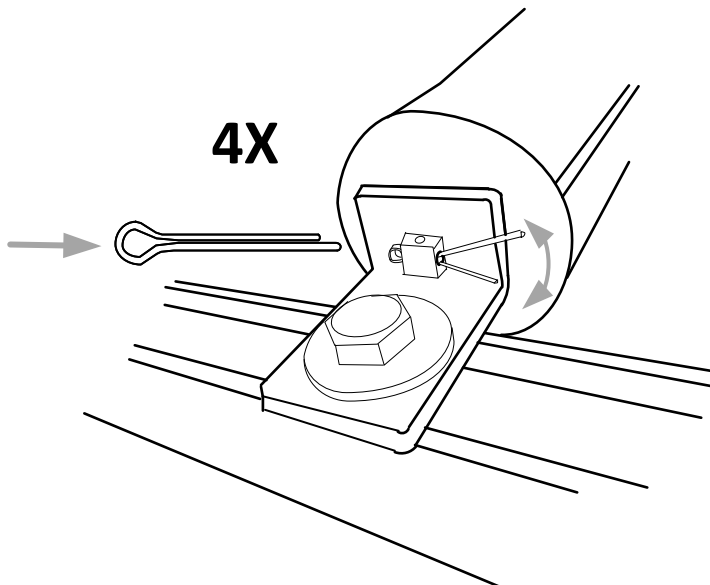
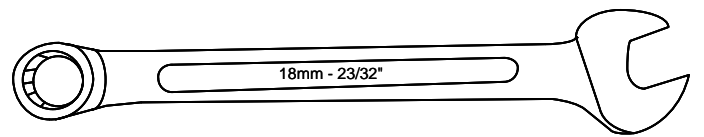
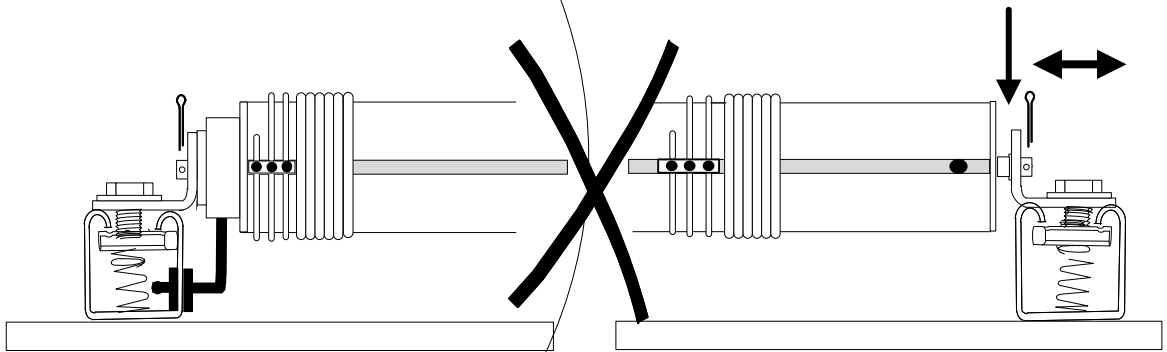


# Inspection

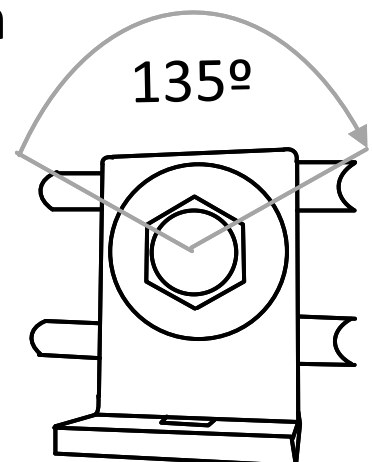
Inspect and tighten all screws, wire clips, grommets and cotter pins. Make an alignment mark on each part that might be able to shift over time (like the motor mounts) using a Sharpie pen. Inspect all items, especially movement on the alignment marks, once a year.



Gap not more than  $1/16$ "/1mm



tighten

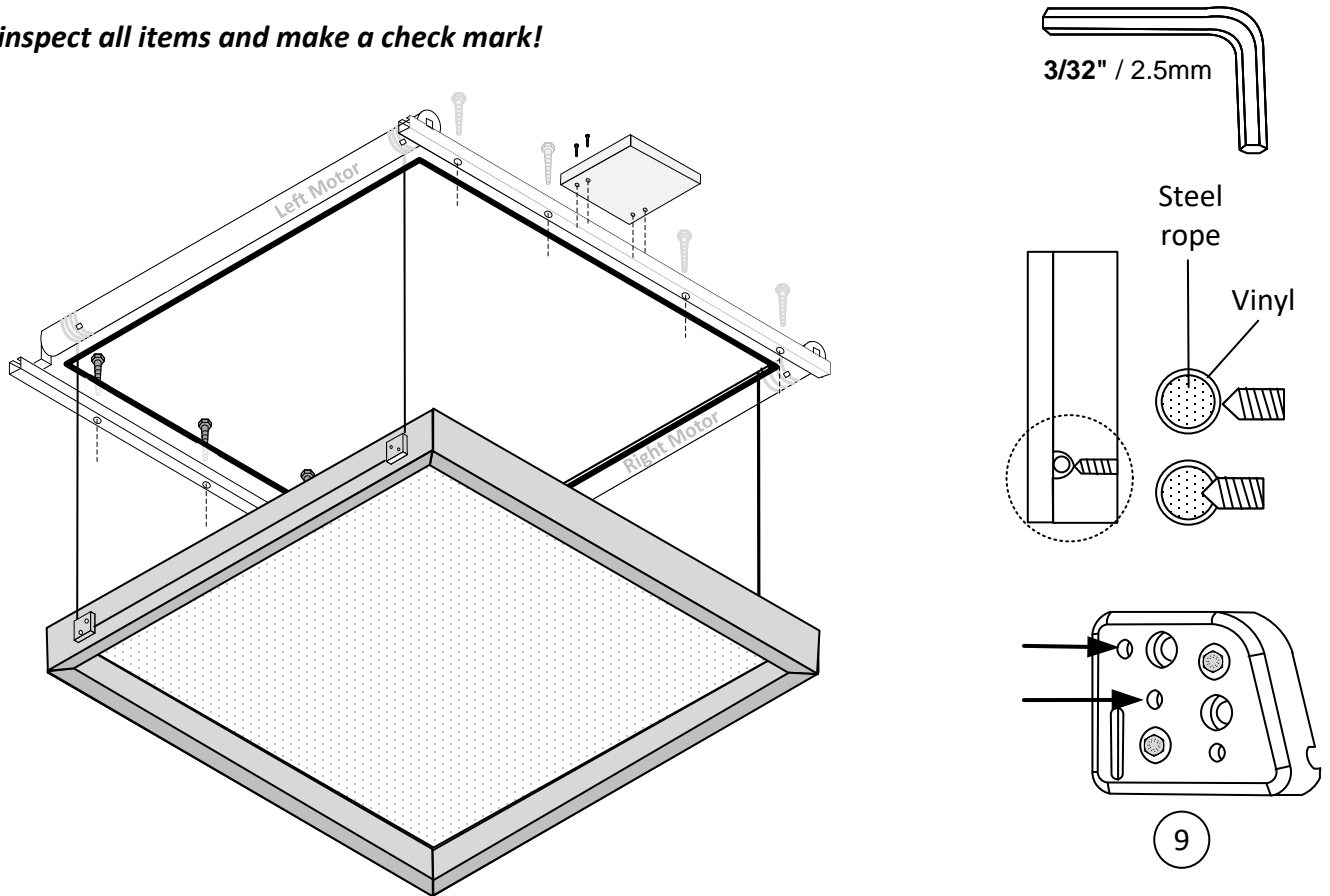


# 17 Check

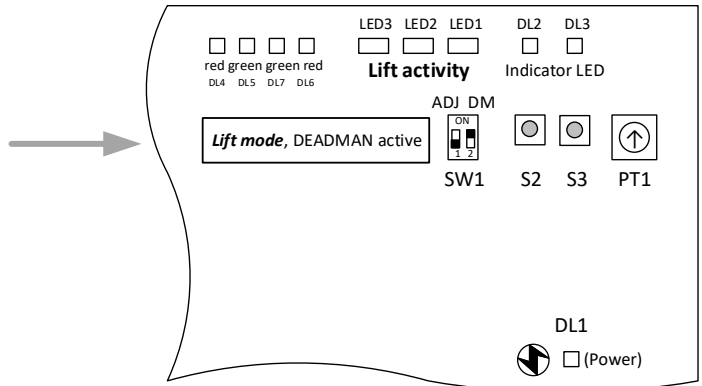
**Check list (after installing, and than ones the year!**

1. Lag screws tighten 8X
2. Cotter Pins installed and curved up 4X
3. 12mm Bracket screws tighten 4X
4. All set screws tighten 24X
5. All 6mm screws tighten 8X
6. E-Wire in the right order installed 11X
7. E-Wire is not laying on sharp corners
8. Controller is switch on
9. All set screws tighten 8x

**Please inspect all items and make a check mark!**



**After adjustment you MUST switch back on the other position!  
(DeadMan = ON)  
It's for your safety!**

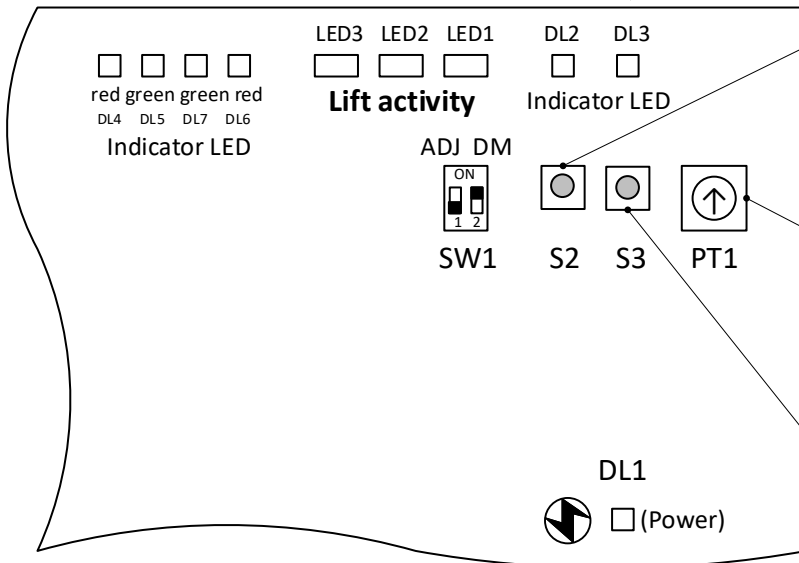


**Important! The Lift has to run to the ceiling end points (stopped automatically) in order to be leveled properly.**



Running Time Preadjusted  
for 1.5 min

DL3



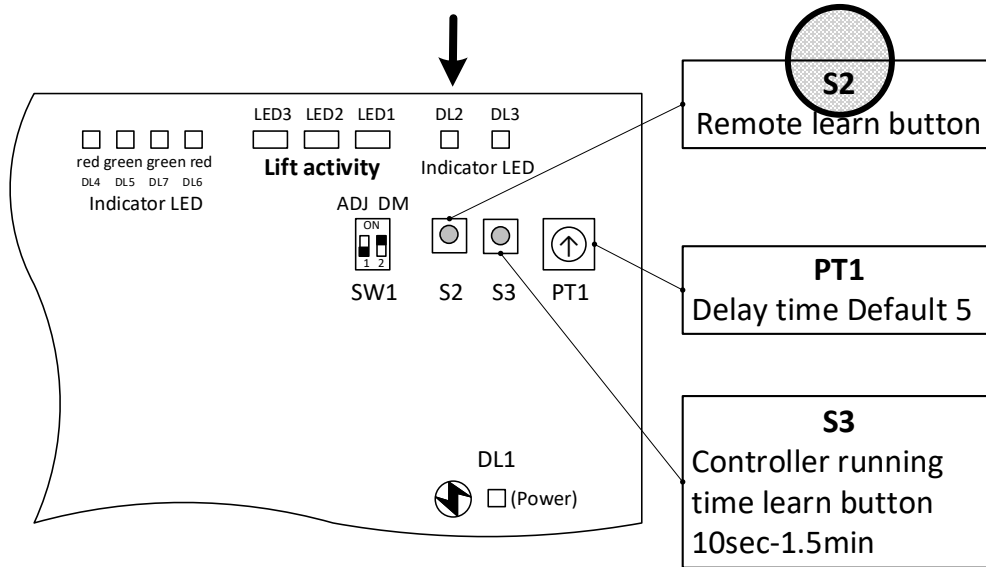
**S2**  
Remote learn button

**PT1**  
Delay time Default 5

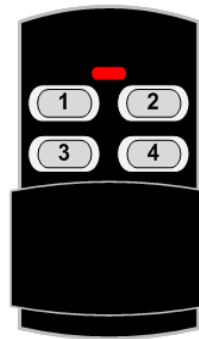
**S3**  
Controller running  
time learn button  
10sec-1.5min

Switch on Controller	Indicator
Switch on the Controller, press power switch to the left	LED DL1 is lit
Programming the running time	Indicator
Press S3 run time button	LED DL3 starts to flash after 3 sec.
Hold S3 for 1:30min (max running time)	LED DL3 flashed and stopped release key
(You can program time between 10s and 1:30min) release key	e.g press S3, LED start to flash, hold for 30s, Running time is 30s now

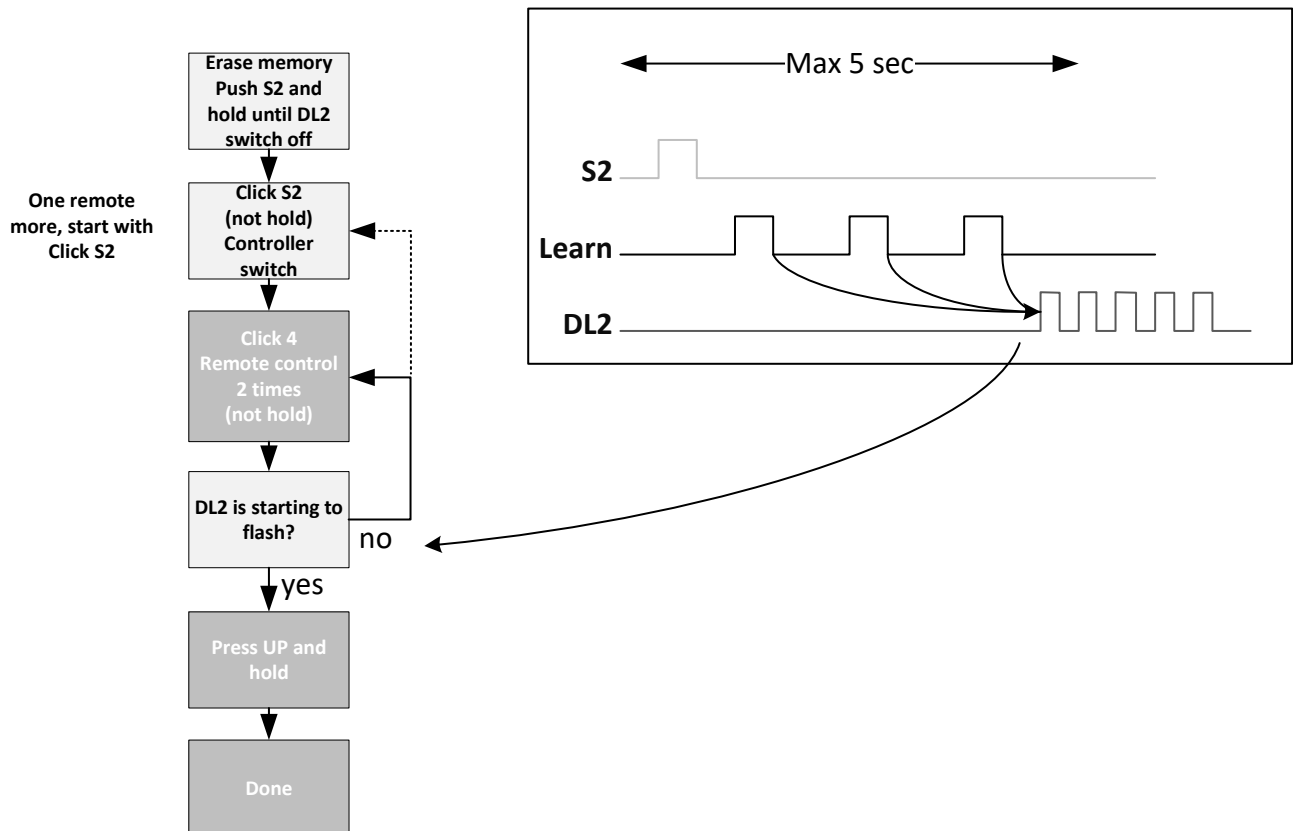
Problems	Check
After switch on, LED DL1 is not lit	Is the plug connected to the outlet? Is the Outlet on a switch (and turned off)? Check the outlet works with an appliance. Check the wire connection. Disconnect the Controller from the outlet and check the fuses.



- 1 UP
- 2 Stop
- 3 Down
- 4 Learn

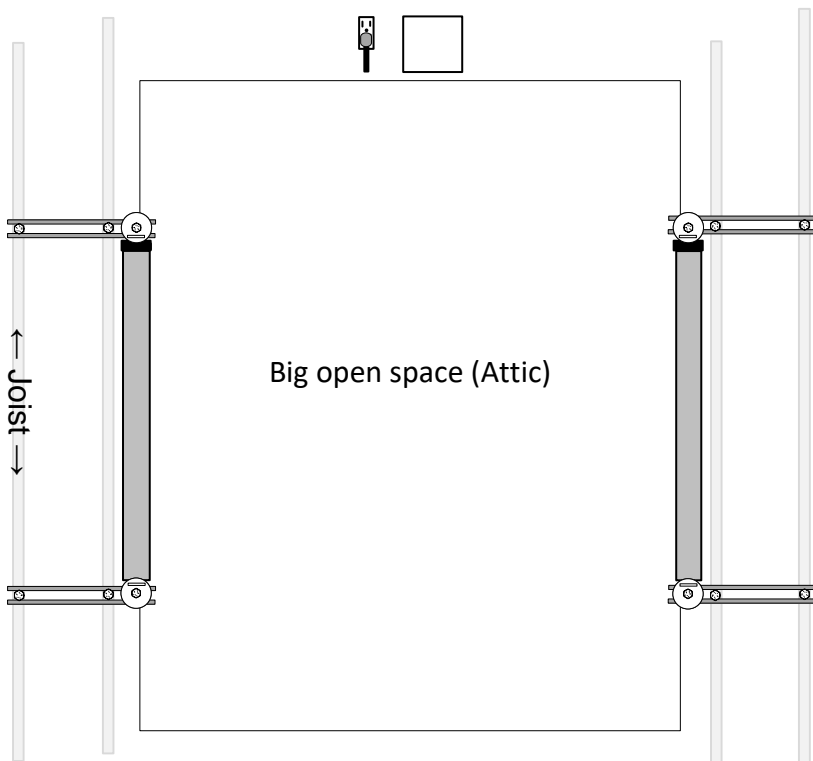
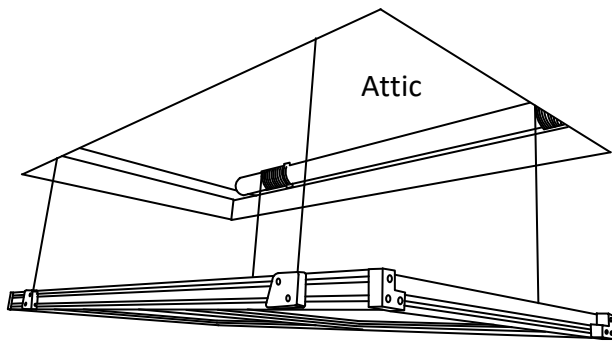
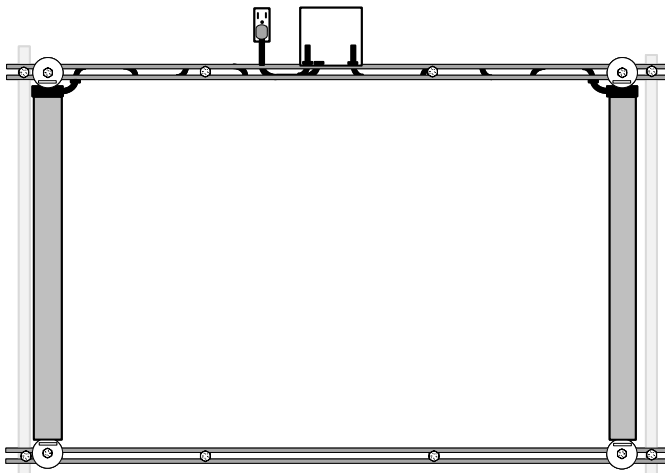


**One Channel Remotes are Pre-configured**





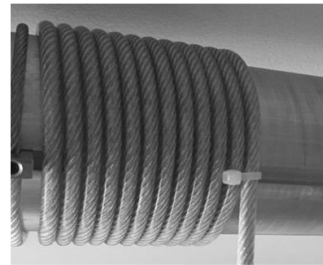
Options



Projects in which the wire rope lose tension



Wire rope wound up



Maximum unwound  
Cable tie tightened around the last two turns



Even without tension the cable wraps are neatly side by side and no overlapping.