

MIPOLLINI[®]

SPARE PARTS

MCM ALL ROAD

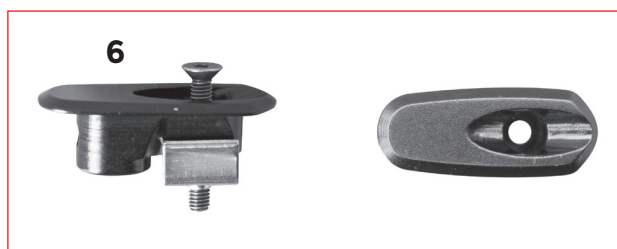
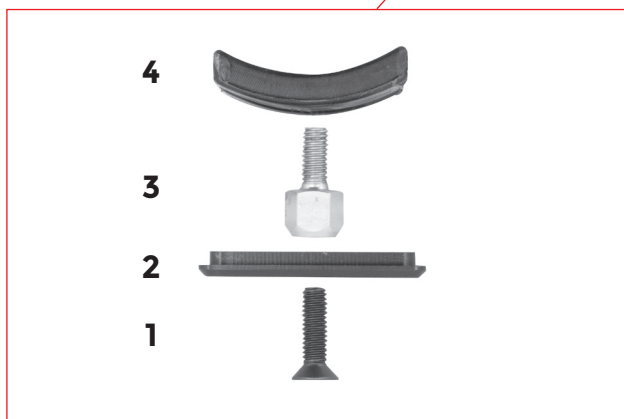
#LiveYourRide

INDEX

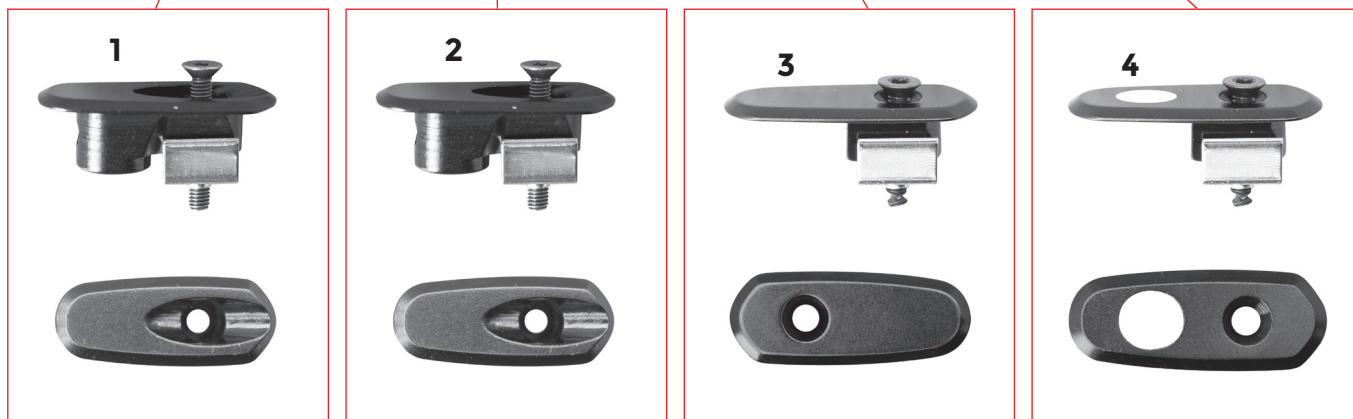
SEATPOST KIT MCM ALL ROAD 8 mm OFFSET	PG. 1
CABLE PLATES	PG. 2
HYDRAULIC CABLE PLATES	PG. 3
BOTTLE CAGE + BOTTLE	PG. 4
FRONT DERAILLEUR AREA	PG. 5
REAR HANGERS AREA	PG. 6
THRU AXLE	PG. 7
HEADSET AREA	PG. 8
ASSEMBLING ACCESSORIES	PG. 9



ARTICLE	MCIPOLLINI CODE	Variant	Finishing	Size	DESCRIPTION
13	MO210MCM19MCM_8	-	Matt	-	SEATPOST KIT MCM 8 mm OFFSET
1	011100050	-	-	-	M6 FRONT SCREW FOR SADDLE CLAMP
2	030000121	-	-	-	ø9,6X12mm M5 REAR CYLINDER FOR SADDLE CLAMP
3	030000151	MC_ARR	-	-	UPPER SADDLE CLAMP
4	011100062	-	-	38	M5 REAR SCREW FOR SADDLE CLAMP
5	030000152	-	-	-	LOWER SADDLE CLAMP
6	030000083	-	-	-	ø9,6X12mm M6 FRONT CYLINDER FOR SADDLE CLAMP
7	030000122	-	-	-	øe 12.50 øi 6.10 WASHER FOR REAR SADDLE CLAMP SCREW
8	030000159	MOBILE	-	-	MCM LOCKING FOR SEATPOST
9	011100081	-	-	28mm	M6 SCREW
10	030000112	-	-	-	øE 12,34 øI 8.06 WASHER



ARTICLE	MCIPOLLINI CODE	Variant	Finishing	Size	DESCRIPTION
1	011100045	-	-	-	M4XL8 SCREW
2	030000049	-	-	-	MCM BB COVER
3	011100073	-	-	-	MCM COVER BB LOCKING SCREW
4	030000050	-	-	-	MECHANICAL CABLE ROUTING BASE
5	030000145	-	-	-	TUBE COVER
6	030000144	-	-	-	CABLE INSERT
7	030000146	-	-	-	DI2/EP5 CABLE INSERT



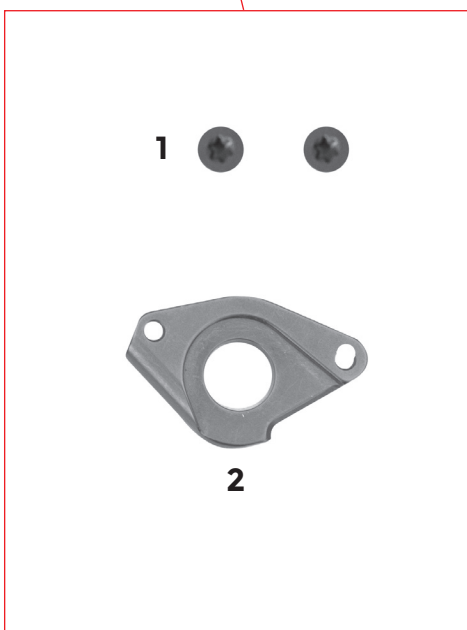
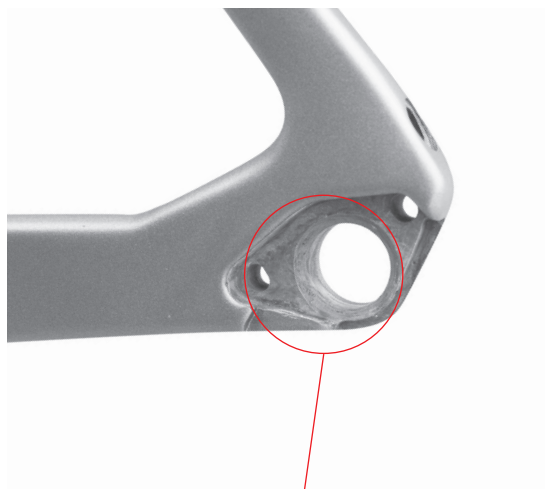
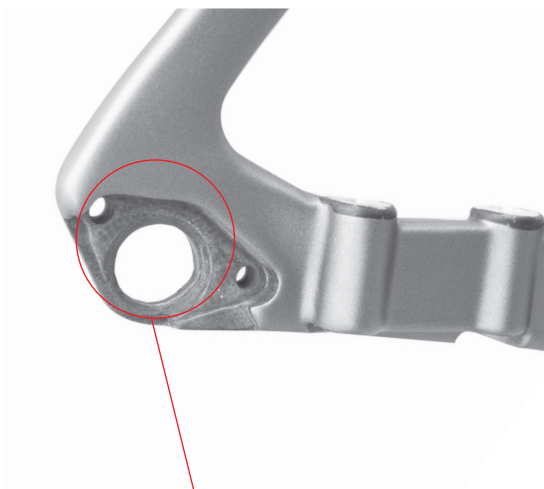
ARTICOLO	MCIPOLLINI CODICE	Variante	Finitura	Misura	DESCRIZIONE
1	011100045	-	-	-	HYDRAULIC HOSE INSERT
2	030000049	-	-	-	CABLE INSERT
3	011100073	-	-	-	TUBE COVER
4	030000050	-	-	-	DI2/EPS CABLE INSERT



ARTICLE	MCPOLLINI CODE	Variant	Finishing	Size	DESCRIPTION
1	030000212	-	-	-	MC CARBON BOTTLE CAGE
2	011100079	-	-	-	M5XL12mm SCREW
3	011100063	-	-	-	øE 9 øI 5.5 WASHER
4	030000276	-	-	-	MC JET 550 ml BOTTLE



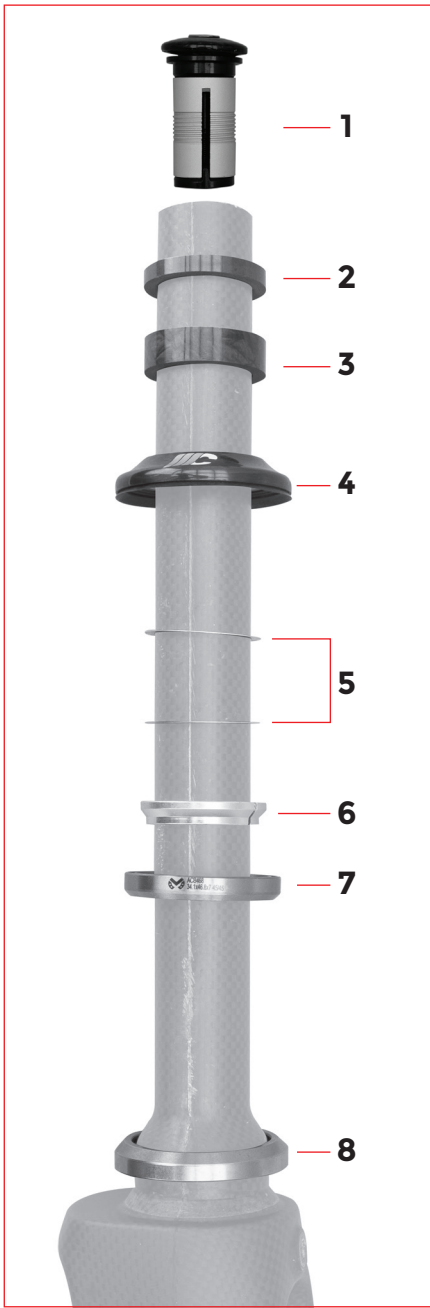
ARTICLE	MCIPOLLINI CODE	Variant	Finishing	Size	DESCRIPTION
2	03000097	MC	-	-	FRONT DERAILLEUR HANGER
3	01110048	-	-	-	M4XL10 SCREW



ARTICLE	MCI POLLINI CODE	Variant	Finishing	Size	DESCRIPTION
1	011100055	-	-	-	M4XL14 SCREW
2	030000275	-	-	-	MCM ALLROAD LEFT HANGER
3	030000274	-	-	-	MCM ALLROAD RIGHT HANGER



ARTICLE	MCI POLLINI CODE	Variant	Finishing	Size	DESCRIPTION
1	030000210	MC	-	-	M12X1.5 125 mm FRONT THRU AXLE
2	030000105	-	-	-	STANDARD ALUMINUM THRU AXLE WASHER
3	030000162	MC	-	-	M12X1.5 166 mm REAR THRU AXLE
4	011100056	-	-	-	COPPER WASHER



ARTICLE	MCIPOLLINI CODE	Variant	Finishing	Size	DESCRIPTION
1	030000281	-	-	-	EXPANDER FOR 1 1/8 FORK
2	030000010	-	-	5 mm	CARBON SPACER
3	030000010	-	-	10 mm	CARBON SPACER
4	030000012	MC	-	10 mm	MCIPOLLINI HEADSET COVER
5	030000108	-	-	-	MICROSPACER ϕ 1 28.70 ϕ E 34.7
6	030000001	-	-	-	1"1/4 CENTERING RING
7	030000003	-	-	-	46.8X34.1X7 45/45 HEADSET BEARING
8	030000004	-	-	-	51.8x40x8 36/45 HEADSET BEARING



ARTICLE	MCIPOLLINI CODE	Variant	Finishing	Size	DESCRIPTION
1	030000019	-	-	-	BAR TAPE STRIPS KIT
2	030000018	-	-	-	225X30 CARBON FRAME PROTECTION
3	030000215	-	-	-	øi 4.5mm øe 9mm ANTI VIBRATION HOSE
4	030000148	-	-	-	MECHANICAL CABLE INSERT
5	030000053	MC	-	-	5 ml MC CHAIN OIL
6	030000185	MC	-	-	5 g MC DYNAMIC ASSEMBLY PASTE
7	030000022	-	-	-	GROMMET- ART. 649
8	030000044	-	-	-	DI2/EPS REAR DERAILLEUR CABLE PLASTIC
9	030000111	-	-	-	ø8mm HOLES PLASTIC PLUG
	032100001	-	-	-	TEFLON CASING