

***IPOLLINI***<sup>®</sup>

SPARE PARTS

DOLOMIA

#LiveYourRide

# INDEX

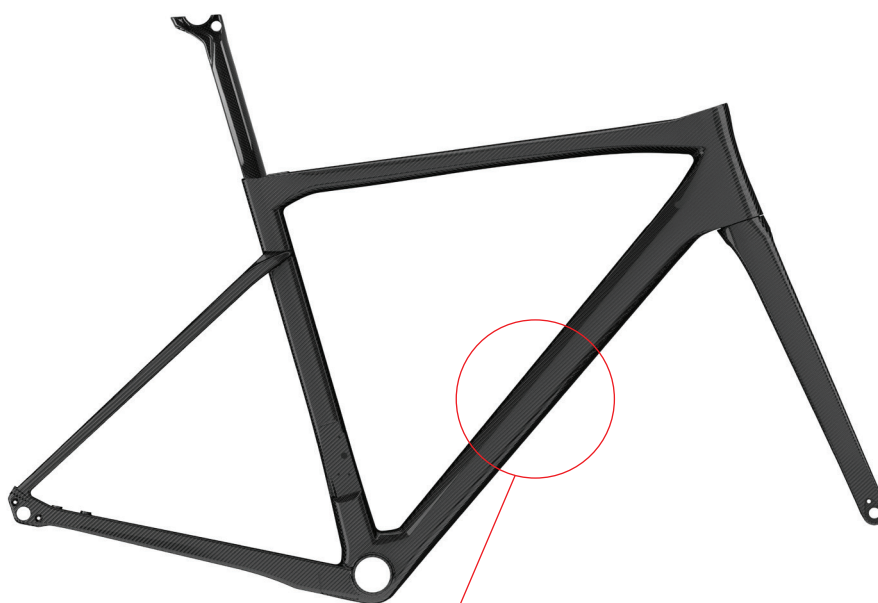
<b>SEATPOST KIT 10 mm OFFSET</b>	<b>PG. 1</b>
<b>BOTTOM BRACKET AREA</b>	<b>PG. 2</b>
<b>BOTTLE CAGE + BOTTLE</b>	<b>PG. 3</b>
<b>FRONT DERAILLEUR AREA</b>	<b>PG. 4</b>
<b>REAR HANGERS AREA</b>	<b>PG. 5</b>
<b>PIVOTS</b>	<b>PG. 6</b>
<b>HEADSET AREA</b>	<b>PG. 7</b>
<b>ASSEMBLING ACCESSORIES</b>	<b>PG. 8 - 9</b>



ARTICLE	MCIPOLLINI CODE	Variant	Finishing	Size	DESCRIPTION
13	M0210MC121DOLOMIA_10	-	Matt/Shiny	-	SEATPOST KIT MCM 8 mm OFFSET
1	011100050	-	-	-	M6 FRONT SCREW FOR SADDLE CLAMP
2	030000121	-	-	-	ø9,6X12mm M5 REAR CYLINDER FOR SADDLE CLAMP
3	030000151	MC_ARR	-	-	UPPER SADDLE CLAMP
4	011100062	-	-	38	M5 REAR SCREW FOR SADDLE CLAMP
5	030000152	-	-	-	LOWER SADDLE CLAMP
6	030000083	-	-	-	ø9,6X12mm M6 FRONT CYLINDER FOR SADDLE CLAMP
7	030000122	-	-	-	øe 12.50 øi 6.10 WASHER FOR REAR SADDLE CLAMP SCREW
8	011100047	-	-	-	M3XL16 SCREW
9	030100028	VERN	Shiny/Matt	-	DOLOMIA SEATPOST CLAMP COVER
10	011100049	-	-	-	M6 X L.21mm SEATPOST CLAMP SCREW
11	030000263	-	-	-	DOLOMIA SEATPOST CLAMP
12	011100104	-	-	-	øe 9,8 øi 6,5 WASHER



ARTICLE	MCIPOLLINI CODE	Variant	Finishing	Size	DESCRIPTION
1	011100086	-	-	-	M4XL12 SCREW
2	030100029	VERN	Shiny/Matt	-	DOLOMIA BB COVER



ARTICLE	MCPOLLINI CODE	Variant	Finishing	Size	DESCRIPTION
1	030000212	-	-	-	MC CARBON BOTTLE CAGE
2	011100079	-	-	-	M5XL12mm SCREW
3	011100063	-	-	-	øE 9 øI 5.5 WASHER
4	030000276	-	-	-	MC JET 550 ml BOTTLE



ARTICLE	MCIPOLLINI CODE	Variant	Finishing	Size	DESCRIPTION
1	03000097	MC	-	-	FRONT DERAILLEUR HANGER
2	01110048	-	-	-	M4XL10 SCREW



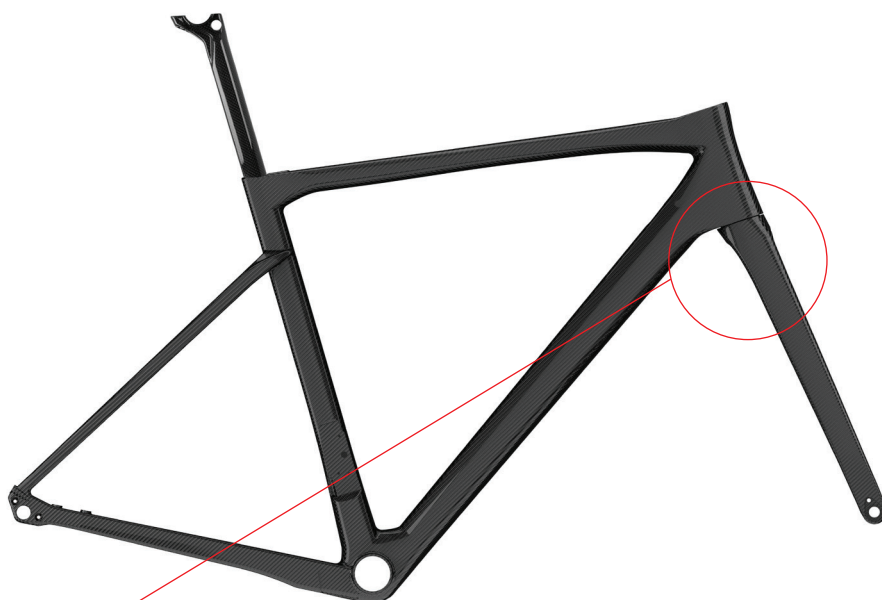
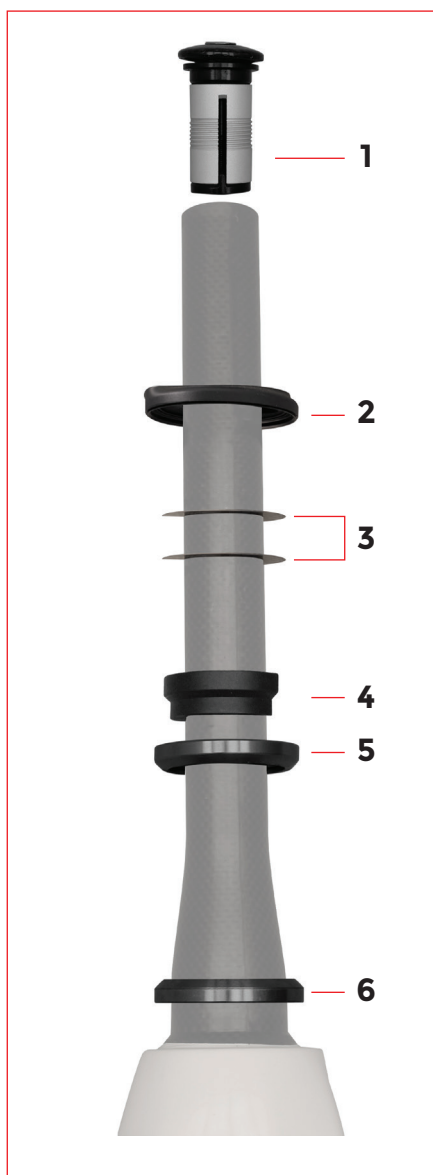
ARTICLE	MCI POLLINI CODE	Variant	Finishing	Size	DESCRIPTION
1	011100055	-	-	-	M4XL14 SCREW
2	030000251	-	-	-	BOND2/DOLOMIA DISC BRAKE LEFT HANGER
3	030000250	-	-	-	BOND2/DOLOMIA DISC BRAKE RIGHT HANGER
4	011100086	-	-	-	M4XL12 SCREW



ARTICLE	MCPOLLINI CODE	Variant	Finishing	Size	DESCRIPTION
1	030000210	MC	-	-	M12X1.5 125 mm FRONT THRU AXLE
2	030000105	-	-	-	STANDARD ALUMINUM THRU AXLE WASHER
3	030000254	MC	-	-	M12X1.5 166 mm SELF CENTERING REAR THRU AXLE
4	030000252	-	-	-	SELF CENTERING ALUMINUM THRU AXLE WASHER
5	011100056	-	-	-	COPPER WASHER



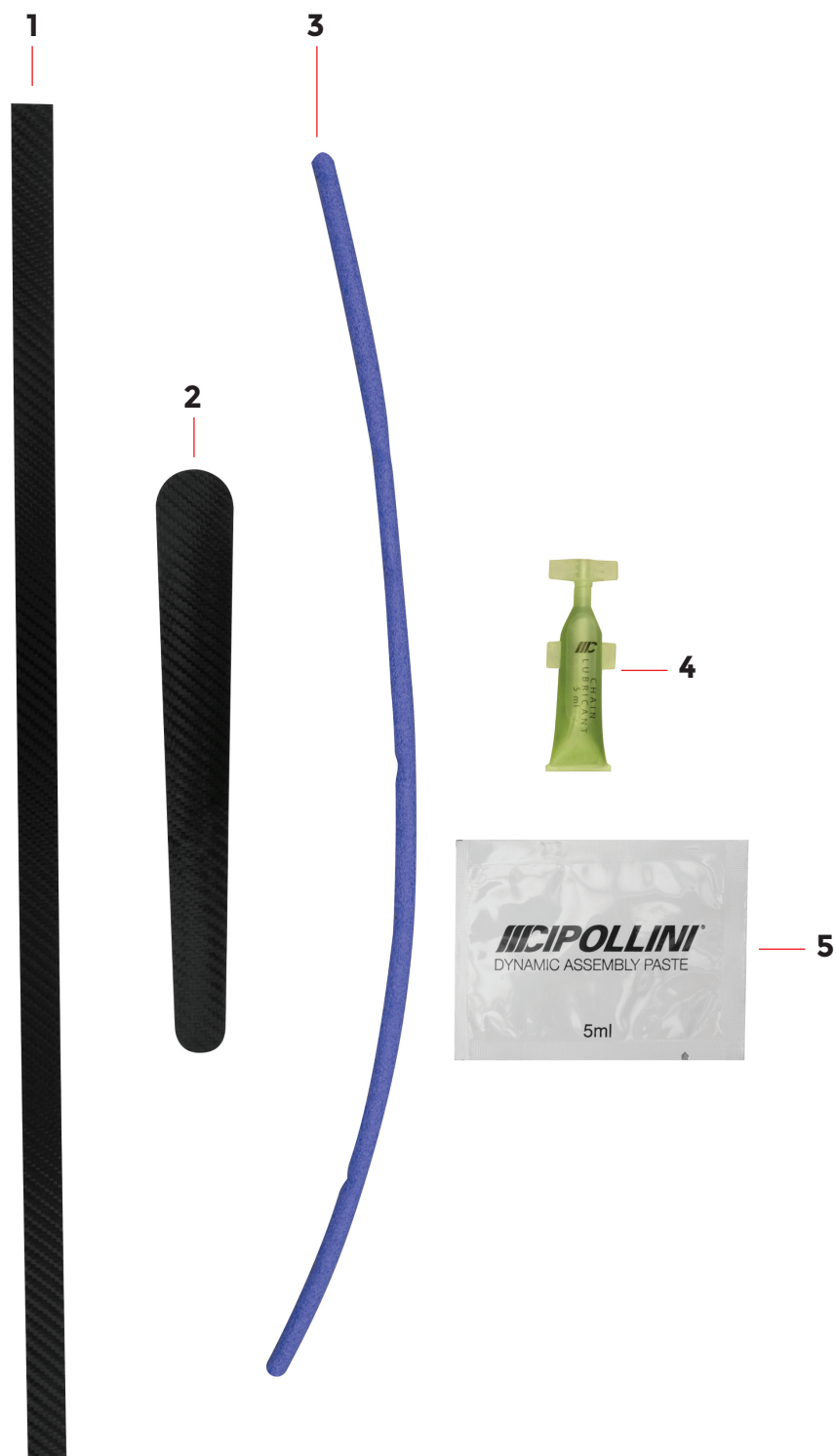
## SISTEMA DCR



ARTICLE	MCIPOLLINI CODE	Variant	Finishing	Size	DESCRIPTION
1	030000281	-	-	-	EXPANDER FOR 1 1/8 FORK
2	028000056	-	-	-	56 mm 1.5" MCIPOLLINI ALANERA TOP COVER
3	028000058	-	-	-	MICROSPACER DCR MICROSHIMS, STEEL (2PCS)
4	028000057	-	-	-	DEDA DCR 45X45 PA66 COMPRESSION RING
5	030000256	-	-	-	51.9x40x8 45/45 HEADSET BEARING
6	030000004	-	-	-	51.8x40x8 36/45 HEADSET BEARING



ARTICLE	MCIPOLLINI CODE	Variant	Finishing	Size	DESCRIPTION
1	030000044	-	-	-	DI2/EPS REAR DERAILLEUR CABLE PLASTIC
2	030000022	-	-	-	GROMMET- ART. 649
3	030000111	-	-	-	ø8mm HOLES PLASTIC PLUG
4	030000148	-	-	-	MECHANICAL CABLE INSERT
5	032100001	-	-	-	TEFLON CASING
6	011100023	-	-	-	M4XL10 SCREW
7	030000241	-	-	-	DOLOMIA TUBE COVER
8	030000240	-	-	-	CABLE INSERT
9	030000264	-	-	-	DOLOMIA / AD.ONE MC FRAME PROTECTION



ARTICLE	MCIPOLLINI CODE	Variant	Finishing	Size	DESCRIPTION
1	030000019	-	-	-	BAR TAPE STRIPS KIT
2	030000018	-	-	-	225X30 CARBON FRAME PROTECTION
3	030000215	-	-	-	øi 4.5mm øe 9mm ANTI VIBRATION HOSE
4	030000053	MC	-	-	5 ml MC CHAIN OIL
5	030000185	MC	-	-	5 g MC DYNAMIC ASSEMBLY PASTE