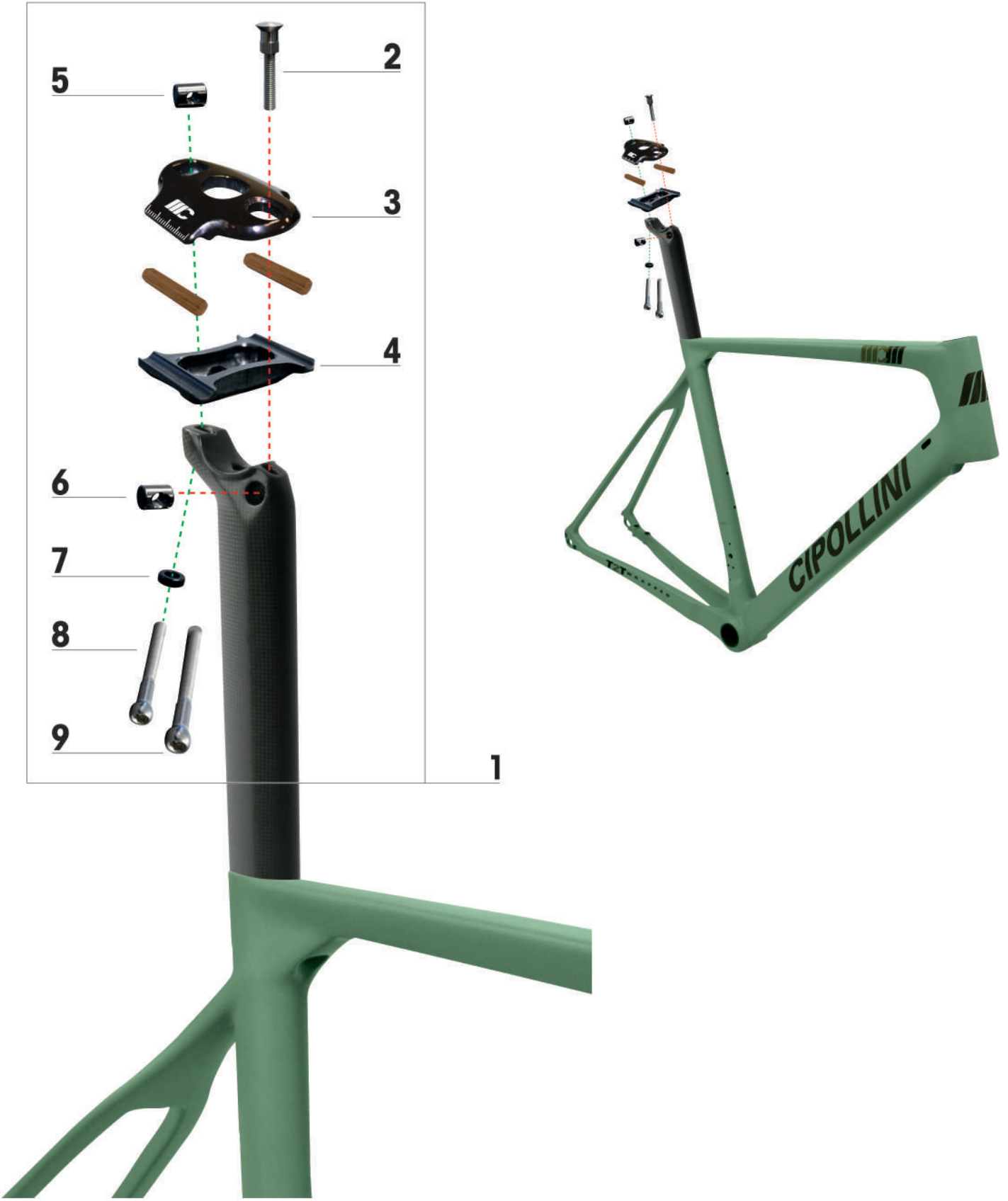


MCB[®]
ALLROAD
ASSEMBLY INSTRUCTIONS

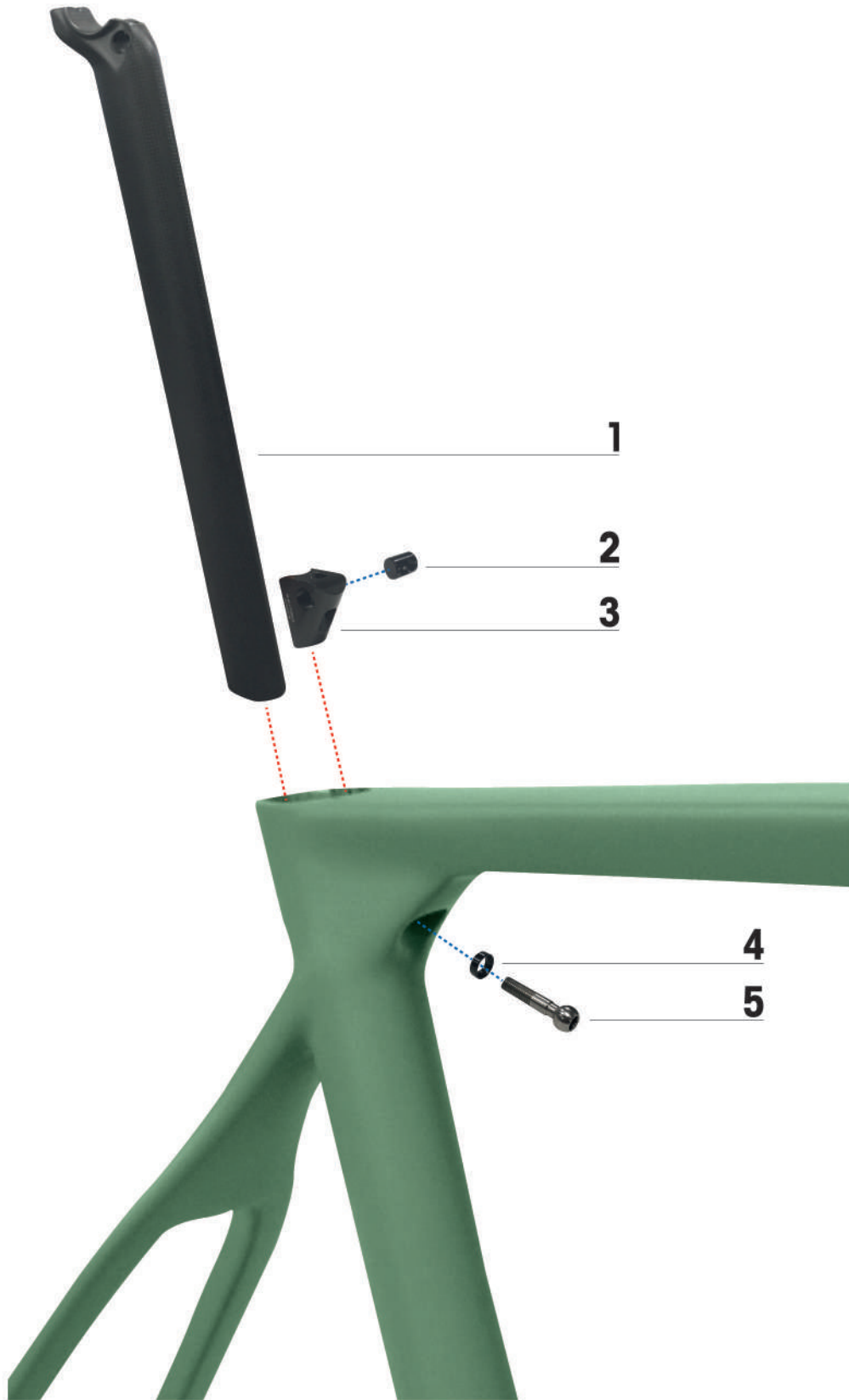
MCB[®]
DISC BRAKE
ASSEMBLY INSTRUCTIONS

INDEX

| | |
|---|----------|
| - Kit Seatpost Off Set | Page 1 A |
| - Assembly Seatpost | Page 1 B |
| - Bottle Cage + Option Bottle | Page 2 |
| - Front Derailleur Support | Page 3 |
| - Kit Teflon For Cable | Page 4 |
| - Cable Guide | Page 5 |
| - Front Hanger | Page 6 |
| - Rear Hanger | Page 7 |
| - Oblique Cable Stop Tube Right Side | Page 8 |
| - Oblique Cable Stop Tube Left Side | Page 9 |
| - Headset Kit | Page 10 |
| - Assembly Accessories | Page 11 |



| ITEM NO. | MCIPOLLINI CODE NO. | DESCRIPTION |
|----------|---------------------|--------------------------|
| 1 | M0210MC119MCM_8 | KIT SEATPOST |
| 2 | 011100050 | INOX SCREW M6 |
| 3 | 030000151 | UPPER PLATE FOR SEATPOST |
| 4 | 030000152 | LOWER PLATE FOR SEATPOST |
| 5 | 030000121 | CYLINDER M5 |
| 6 | 030000083 | CYLINDER M6 |
| 7 | 030000122 | WASHER |
| 8 | 011100062.38 | INOX SCREW M5 L. 38 |
| 9 | 011100062.44 | INOX SCREW M5 L. 44 |



1

2

3

4

5

| ITEM NO. | MCIPOLLINI CODE NO. | DESCRIPTION |
|----------|---------------------|--|
| 1 | M0210MC119MCM_8 | TUBE SEATPOST (AVAILABLE ONLY WITH KIT SEATPOST - PAGE 1A) |
| 2 | 030000083 | CYLINDER ø 9,6 X 12 MM M6 |
| 3 | 030000159.M | LOCKING FOR SEATPOST |
| 4 | 030000112 | ALLUMINIUM ANODIZED WASHER |
| 5 | 011100081.28 | SCREW INOX M6 L 28 MM |



1

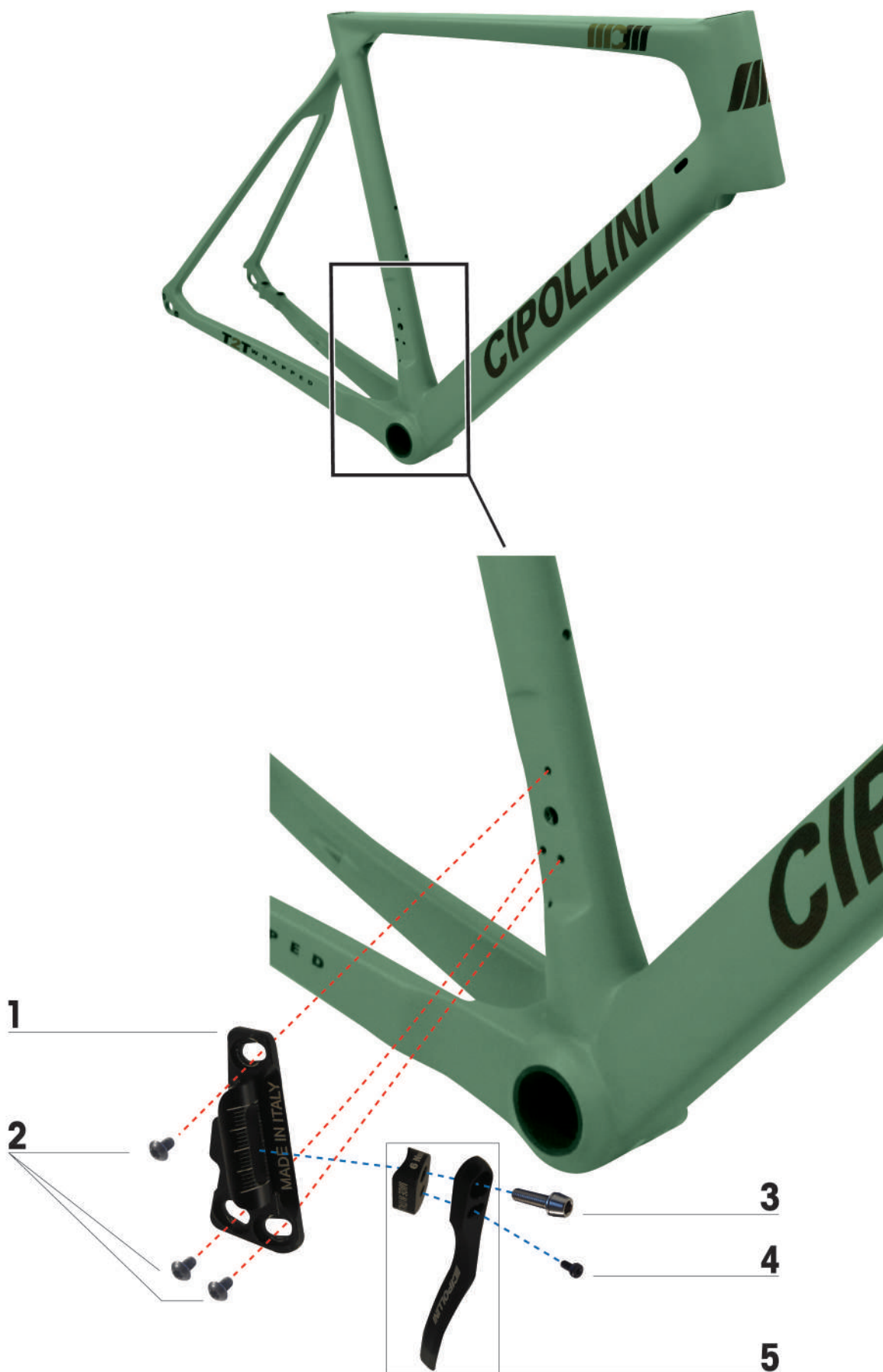


2



3

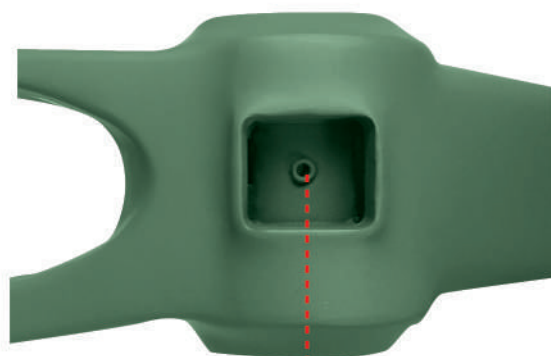
| ITEM NO. | MCIPOLLINI CODE NO. | DESCRIPTION |
|----------|---------------------|--------------|
| 1 | 030000212.MC | BOTTLE CAGE |
| 2 | 030000133.CLEAR | CLEAR BOTTLE |
| 3 | 030000133.SMOKE | SMOKE BOTTLE |



| ITEM NO. | MCIPOLLINI CODE NO. | DESCRIPTION |
|----------|---------------------|--|
| 1 | 03000097.MC | FRONT DERAILLEUR SUPPORT IN ALUMINIUM |
| 2 | 011100048 | SCREW INOX BRONZE M4XL10 |
| 3 | 011100005 | SCREW INOX M5X18 |
| 4 | 011100057 | SCREW INOX BRONZE M4XL8 LOWER HEAD |
| 5 | 030000109.MC | PROTECTION FRAME FROM FALLEN CHAIN (ALUMINIUM) |



| ITEM NO. | MCIPOLLINI CODE NO. | DESCRIPTION |
|----------|---------------------|------------------|
| 1 | 032100001 | KIT TEFLON Ø 3MM |



1 _____



2 _____



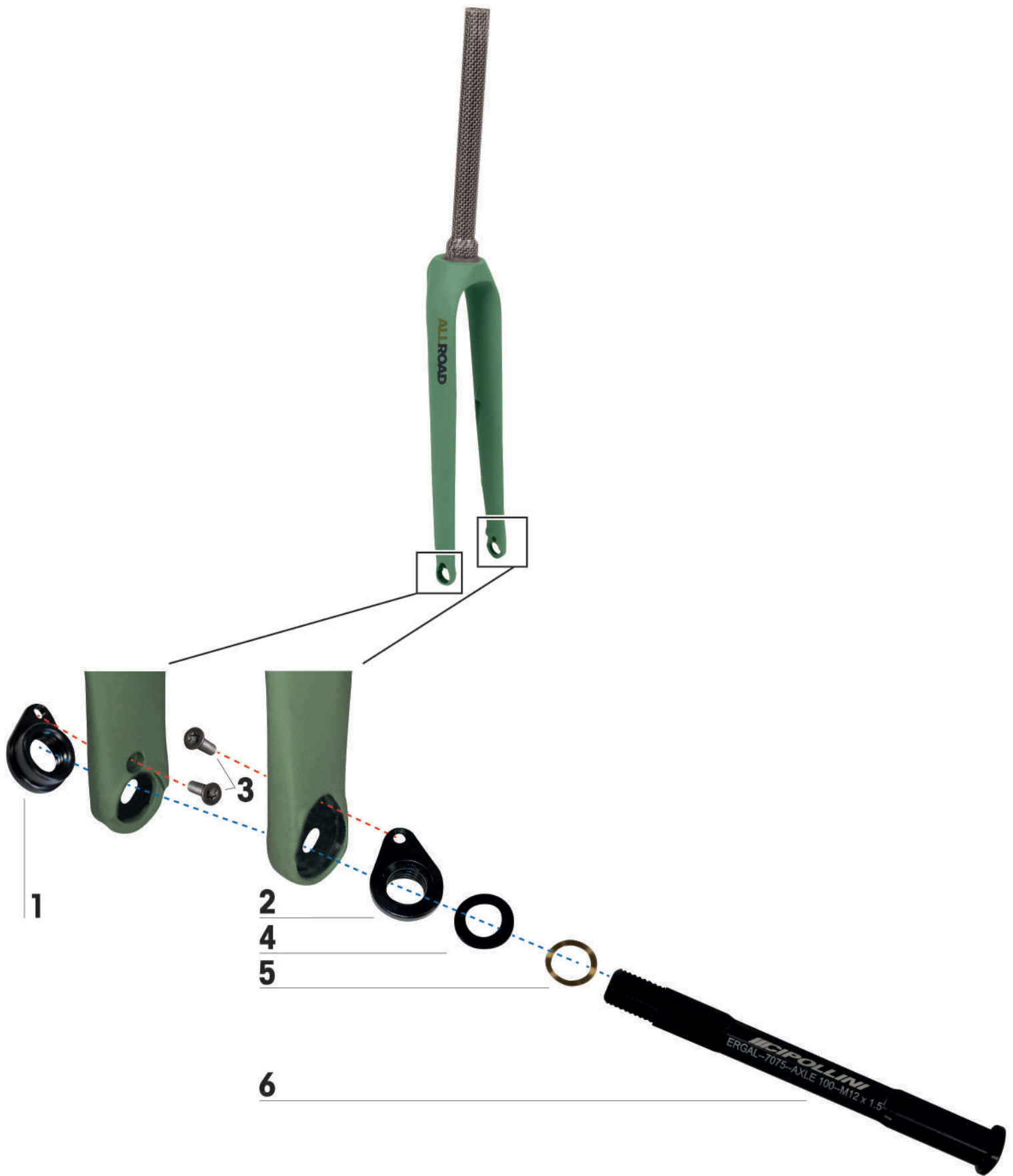
3 _____



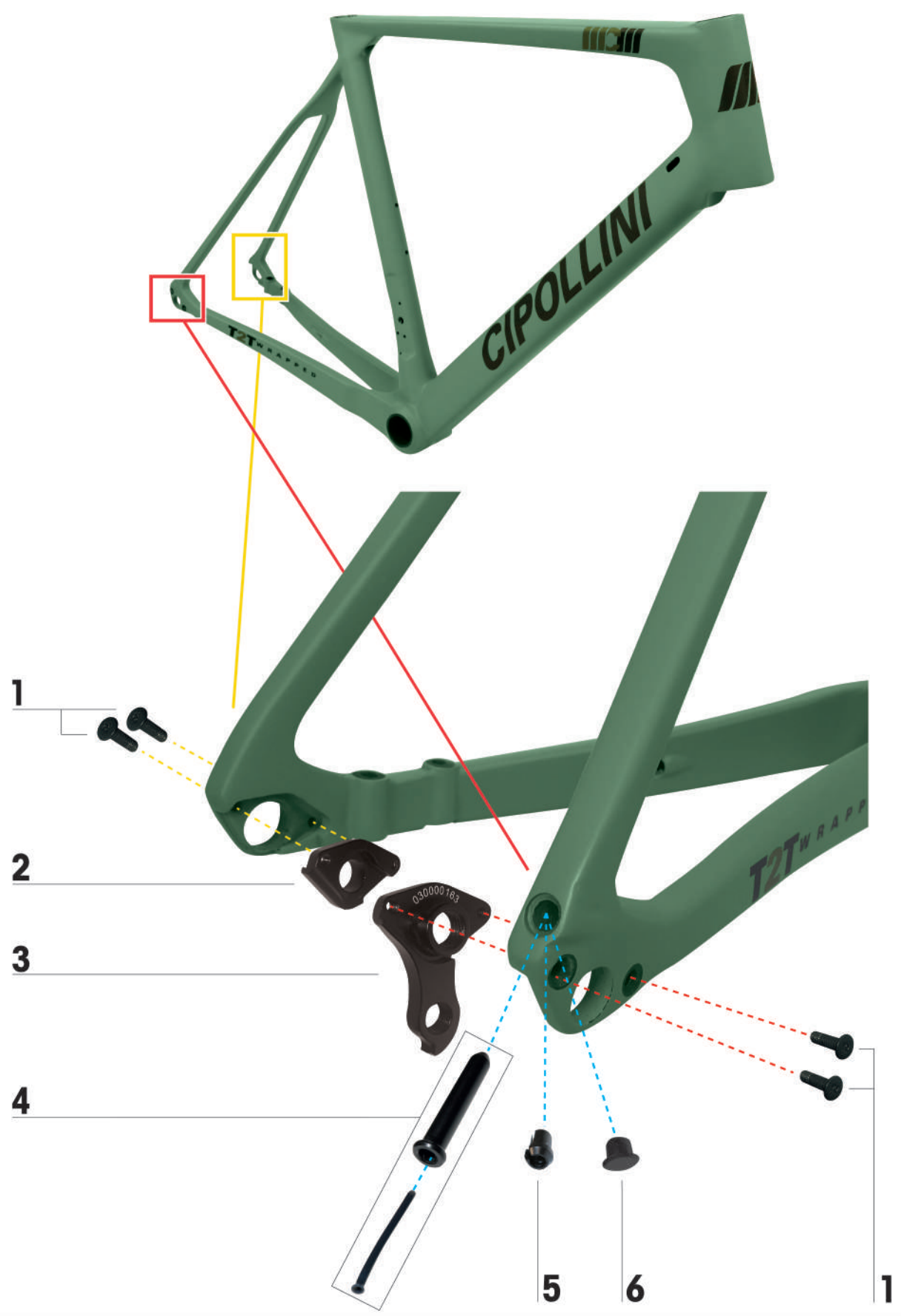
4 _____



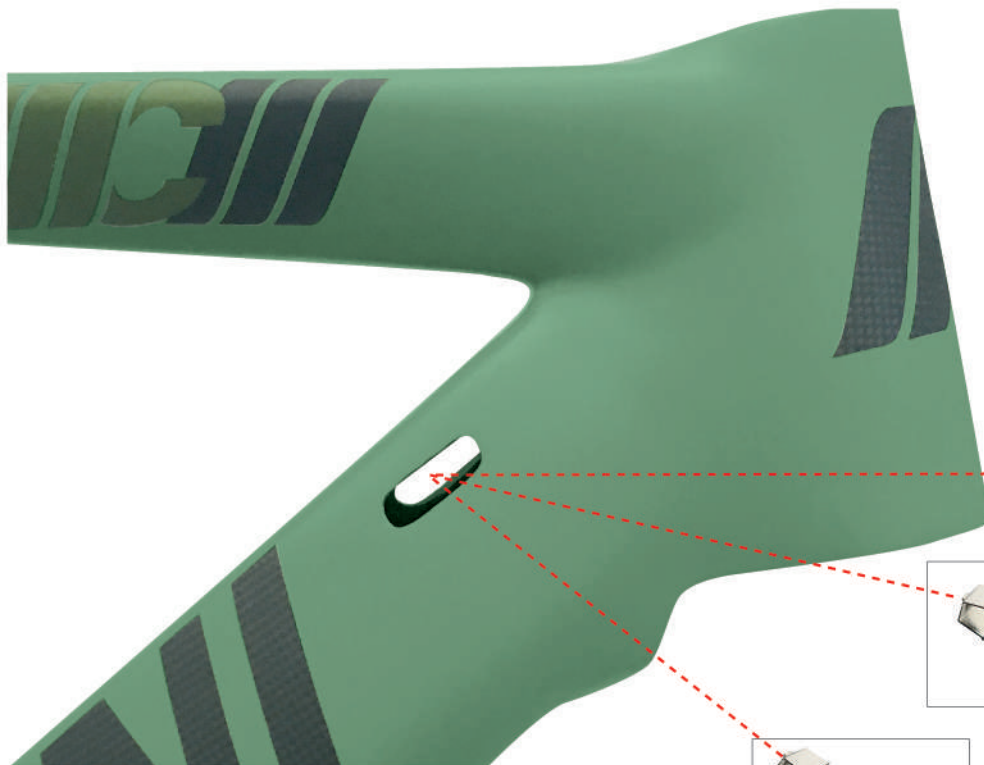
| ITEM NO. | MCIPOLLINI CODE NO. | DESCRIPTION |
|----------|---------------------|------------------------------------|
| 1 | 03000050 | PLATE SUPPORT FOR CONNECTOR CABLES |
| 2 | 01110073 | PLATE LOCKING NUT |
| 3 | 03000049 | COVER |
| 4 | 01110045 | INOX SCREW M4 L. 16 |



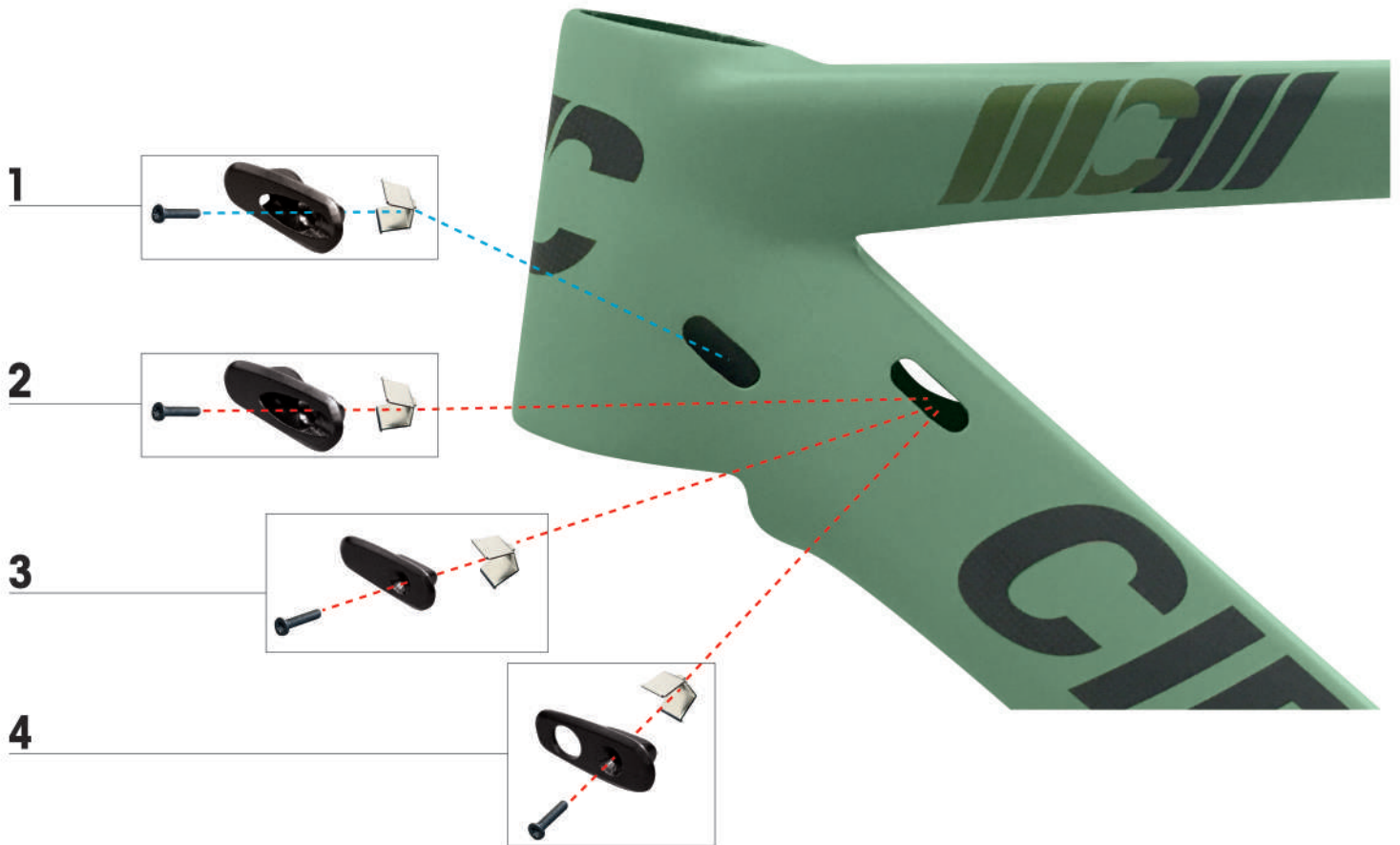
| ITEM NO. | MCIPOLLINI CODE NO. | DESCRIPTION |
|----------|---------------------|---|
| 1 | XXXXXX | ASSEMBLY ONLY AT CIPOLLINI SERVICE (CONTACT FOR MORE INFORMATION) |
| 2 | XXXXXX | ASSEMBLY ONLY AT CIPOLLINI SERVICE (CONTACT FOR MORE INFORMATION) |
| 3 | XXXXXX | ASSEMBLY ONLY AT CIPOLLINI SERVICE (CONTACT FOR MORE INFORMATION) |
| 4 | 030000105 | ALUMINIUM BEARING |
| 5 | 011100056 | BRASS BEARING |
| 6 | 030000104.MC | FRONT THRU-AXLE 100 MM M12X1,5 |



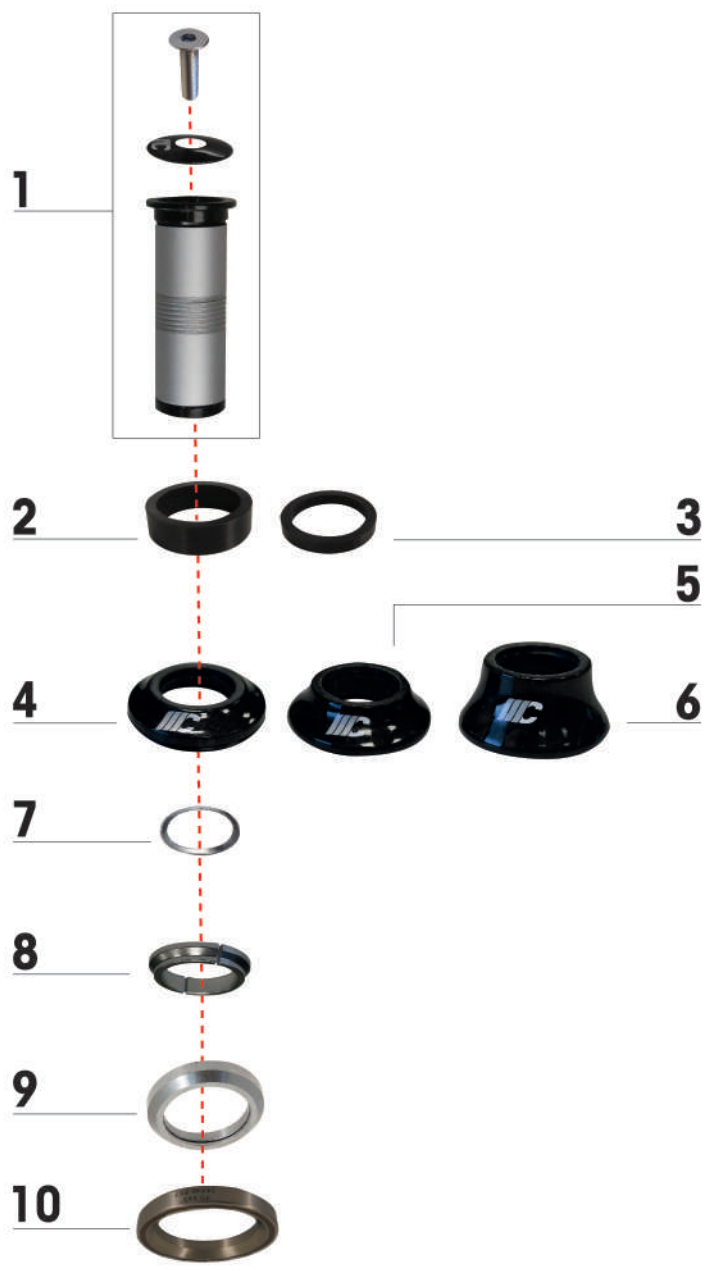
| ITEM NO. | MCIPOLLINI CODE NO. | DESCRIPTION |
|----------|---------------------|-----------------------------|
| 1 | 011100055 | INOX SCREW M4 X 14 MM |
| 2 | 030000164 | HANGER REAR LEFT ALUMINIUM |
| 3 | 030000163 | HANGER REAR RIGHT ALUMINIUM |
| 4 | 030000148 | CABLE STOP L. 40 |
| 5 | 030000044 | CABLE STOP DI2 |
| 6 | 030000111 | PLASTIC TAPE |



| ITEM NO. | MCIPOLLINI CODE NO. | DESCRIPTION |
|----------|---------------------|-------------------------|
| 1 | 030000145 | CABLE STOP CLOSED |
| 2 | 030000144 | CABLE STOP |
| 3 | 030000146 | CABLE STOP FOR ELECTRIC |



| ITEM NO. | MCIPOLLINI CODE NO. | DESCRIPTION |
|----------|---------------------|-------------------------|
| 1 | 030000157 | CABLE STOP DISC BRAKE |
| 2 | 030000144 | CABLE STOP |
| 3 | 030000145 | CABLE STOP CLOSED |
| 4 | 030000146 | CABLE STOP FOR ELECTRIC |



| ITEM NO. | MCIPOLLINI CODE NO. | DESCRIPTION |
|----------|---------------------|--------------------------------|
| 1 | 030000011.MC | CARBON COMPRESSOR |
| 2 | 030000010.10 MM | CARBON SPACER 10 MM |
| 3 | 030000010.5 MM | CARBON SPACER 5 MM |
| 4 | 030000012.MC.10 MM | CARBON COVER HEADSET 10 MM |
| 5 | 030000012.MC.15 MM | CARBON COVER HEADSET 15 MM |
| 6 | 030000012.MC.25 MM | CARBON COVER HEADSET 25 MM |
| 7 | 030000108 | MICROSPACER |
| 8 | 030000001 | CENTERING RING ALUMINIUM 1"1/4 |
| 9 | 030000003 | BEARING 1"1/4 |
| 10 | 030000004 | BEARING 1"1/2 |



1

2



3



4



5



6



| ITEM NO. | MCIPOLLINI CODE NO. | DESCRIPTION |
|----------|---------------------|--|
| 1 | 030000185.MC | DYNAMIC ASSEMBLY PASTE / ENVELOPE (5 ML) |
| 2 | 030000053.MC | CHAIN LUBRICANT |
| 3 | 030000022 | BLACK RUBBER CONNECTOR |
| 4 | 030000018 | PROTECTION CHAIN ADHESIVE |
| 5 | 030000019 | KIT ADHESIVE (2 PCS) FOR HANDLEBAR TAPE |
| 6 | 030000215 | ANTI - NOISE TUBE (80 CM) |