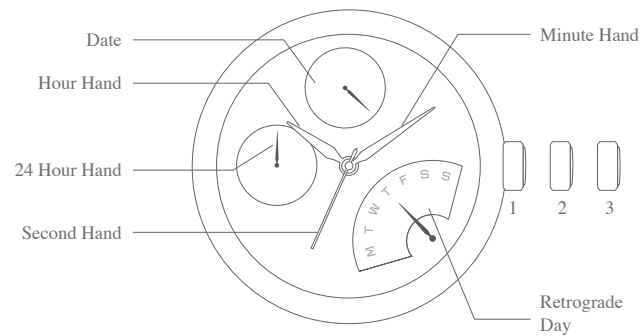


JAPAN QUARTZ MULTI-FUNCTION

A) DISPLAY



B) TIME SETTING

1. Pull the crown to **position 3**.
2. Turn the crown to set the hour and minute hands. *Note: Make sure that the AM/PM is set correctly.*
3. Push the crown back to **position 1**.

C) DATE SETTING

1. Pull the crown to **position 2**.
2. Turn the crown **counter-clockwise** to set the date.
3. Push the crown back to **position 1**.

D) DAY SETTING

Note: Please do not set the day between 11:00pm and 3:00am.

1. Pull the crown to **position 2**.
2. Turn the crown **clockwise very slowly** to set the day.

Note: Please do not stop when the hand is between the days like the image below.

