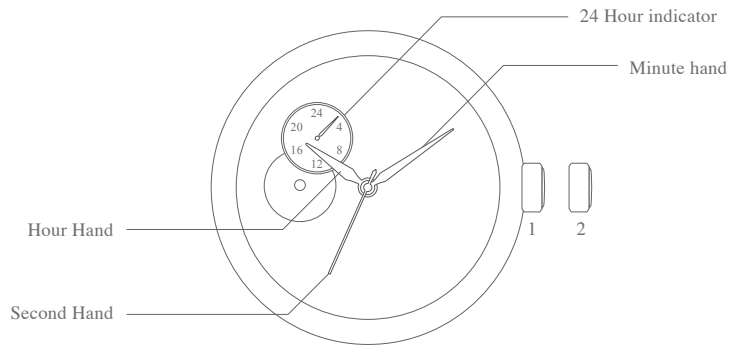


## AUTOMATIC 3 HANDS WITH 24H AND OPEN HEART

### A) DISPLAY



### B) WINDING THE MAINSPRING

Automatic winding watch can be hand wound by turning the crown in normal crown position. Wind 15-20 times and it will start to move naturally after shaking slightly.

### C) TIME SETTING

1. Pull the crown to position 2.
2. Turn the crown to set hour and minute hands. (Check AM / PM is set correctly)
3. Push crown back to position 1.

### NOTE:

**This watch MUST be worn for at least 8 (Eight) hours each day to ensure it is fully wound.**

**An automatic watch will only wind when the watch is on your wrist and your arm moves.**

**Winding the watch by the crown will put power on the spring but not enough to allow the watch to function fully.**

**If your watch stops overnight or loses time it means it is not being fully wound.**



EARNSHAW

-1805-