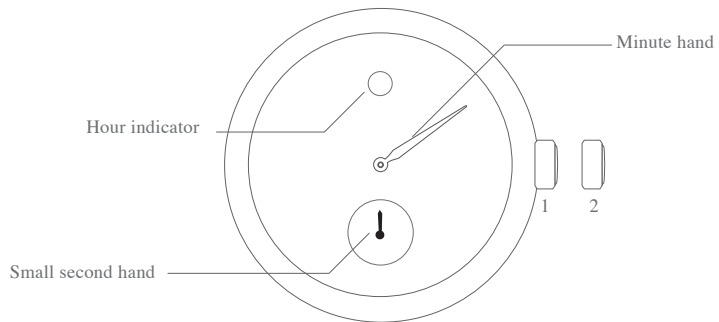


*AUTOMATIC SPECIAL 2 HANDS WITH JUMPING HOUR
(12H: HOUR DISC, CENTER: MIN., 6H: SECOND)*

A) DISPLAY



B) TIME SETTING

1. Push crown to position 2.
2. Turn the crown anti-clockwise to set the correct time.
3. Push crown back to position 1.

NOTE:

This watch MUST be worn for at least 8 (Eight) hours each day to ensure it is fully wound.

An automatic watch will only wind when the watch is on your wrist and your arm moves.

Winding the watch by the crown will put power on the spring but not enough to allow the watch to function fully.

If your watch stops overnight or loses time it means it is not being fully wound.