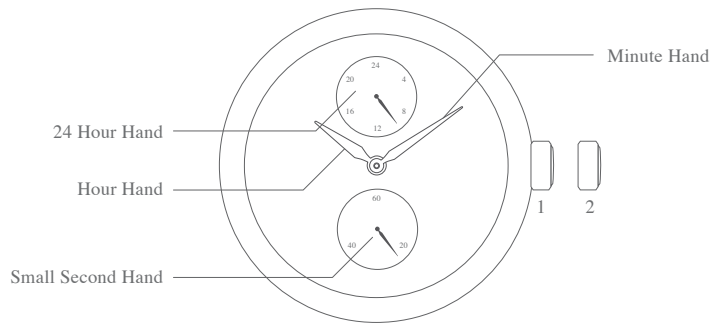


*JAPAN QUARTZ 2 HANDS MULTIFUNCTION
(SMALL SECOND AND 24H)*

A) DISPLAY



B) TIME SETTING

1. Pull out the crown to position 2 when the small second hand is at the 12 o'clock position. The second hand will stop on the spot.
2. Advance the hour and minute hands by turning the crown. (check that 24 hour hand is set correctly).
3. Push crown back in the position 1 in accordance with a time signal.