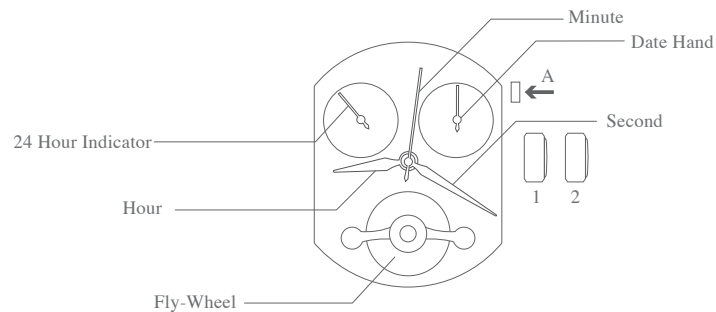


*AUTOMATIC 3 HANDS MULTIFUNCTION
(DATE, 24H AND SUN/MOON PHASE)*

A) DISPLAY



B) WINDING THE MAINSPRING

Automatic winding watch can be hand wound by turning the crown in normal crown position. Wind 15-20 times and it will start to move naturally after shaking slightly.

C) DATE & TIME SETTING

1. Pull the crown to position 2.
2. Turn the crown to set hour and minute hands.
3. Push crown back to position 1.

NOTE:

Please push Pusher A for quick change of date. For this particular watch style, Pusher A is flush to the case; therefore when changing date it is advisable to use a blunt pointed instrument such as pencil/pen.

Please do not use Pusher A between 22 o'clock to 2 o'clock. Any misusing could result in movement defective.

This watch MUST be worn for at least 8 (Eight) hours each day to ensure it is fully wound.

An automatic watch will only wind when the watch is on your wrist and your arm moves.

Winding the watch by the crown will put power on the spring but not enough to allow the watch to function fully.

If your watch stops overnight or loses time it means it is not being fully wound.