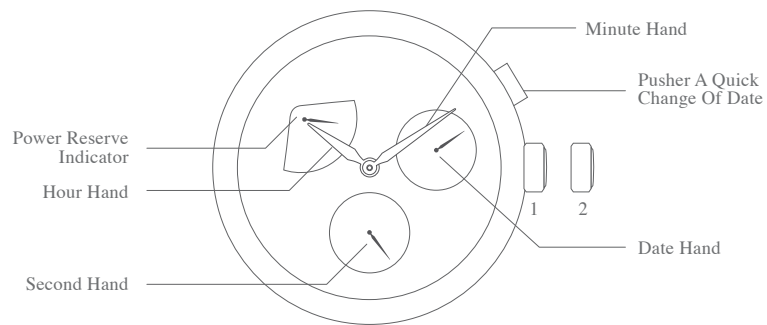


*AUTOMATIC 2 HANDS MULTIFUNCTION
(SMALL SECOND, DATE AND POWER RESERVE)*

A) DISPLAY



B) DATE & TIME SETTING

1. Pull the crown to position 2.
2. Turn the crown anti-clockwise to advance the time and set the correct date.
3. Set to correct time and date. Push crown back to position 1.

NOTE:

Please push Pusher A for quick change of date. If Pusher A is flush to the case; therefore when changing date it is advisable to use a blunt pointed instrument such as pencil/pen.

Please do not use Pusher A between 22 o'clock to 2 o'clock. Any misusing could result in movement defective

C) POWER RESERVE

1. The power reserve indicator shows you how much energy the mainspring and therefore your watch is holding. By glancing at this indicator, you can find out how much energy your watch is holding for operation.
2. When the watch is fully wound, the indicator will move towards "40".
3. The watch will gradually move towards the descending number when energy is being consumed.
4. This watch **MUST** be worn for at least 8(Eight) hours each day to ensure it is fully wound.
5. The watch can be manually wound by hand.

NOTE:

This watch MUST be worn for at least 8 (Eight) hours each day to ensure it is fully wound.

An automatic watch will only wind when the watch is on your wrist and your arm moves.

Winding the watch by the crown will put power on the spring but not enough to allow the watch to function fully.

If your watch stops overnight or loses time it means it is not being fully wound.