

WPS Series Semi-Cutoff Wall Pack

Outdoor Non-Cutoff and Semi-Cutoff Wall-Mounted Area Luminaires

OVERVIEW	
Wattage (W)	30W, 40W, 65W, 90W, 125W 65W Selectable (65/52/39/26W) 100W Selectable (100/80/60/40W)
Lumen Package (lm)	Up to 15,000 lm
Color Temperature (CCT)	4000K, 5000K, or 3000K/4000K/5000K Selectable
Efficacy (lm/W)	Up to 128 lm/W



DETAILS

Our LED wall pack ensures safe, brightly lit walkways, entrances, parking garages, carports, loading docks, hospitals, and other general and security illumination. The light emits up to 15,000 lumens of bright cold white light (5000K) with an efficacy up to 128 lumens per watt. Its die-cast aluminum enclosure resists corrosion, dust, insects, and weather. Maximize your energy savings with these all-weather fixtures.

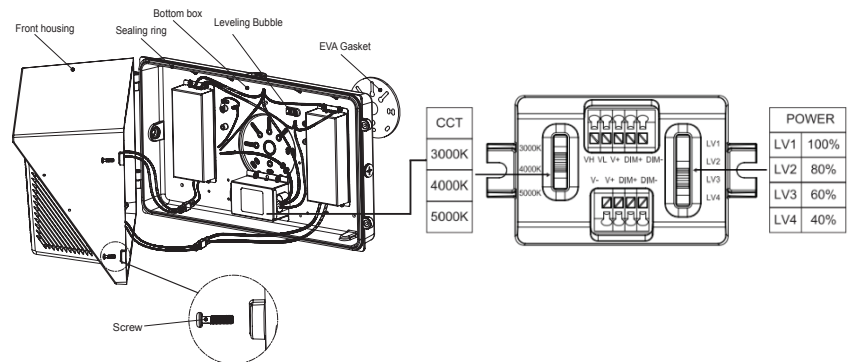
KEY FEATURES

- Lumen Output Up to 15,000 lm
- CCT & Power Selectable (65W & 100W)
- Stock one SKU for different applications

APPLICATIONS

- Walkway
- Entrance
- Parking Garage
- Carport
- Hospital
- Security
- Loading Dock

POWER AND CCT SELECTABLE VERSION



WPS Series Semi-Cutoff Wall Pack

Outdoor Non-Cutoff and Semi-Cutoff Wall-Mounted Area Luminaires

SPECIFICATIONS

Wattage & Lumens	30W, Up to 3,500 lumens 40W, Up to 5,100 lumens 65W, Up to 7,900 lumens 90W, 10,500 lumens 125W, 15,000 lumens 65W Selectable (65/52/39/26W), Up to 8,300 lumens 100W Selectable (100/80/60/40W), Up to 12,000 lumens
Efficacy	Up to 128 lm/W
CCT	4000K, 5000K, or 3000K/4000K/5000K Selectable
CRI (Ra)	70
Controls	1-10V Dimming CCT & Power Selectable Photocell
Input Voltage	120-277VAC, 50/60Hz
Power Factor	>0.90
Average Lifetime	L70: 50,000 hours
Mounting	Wall Mount, Junction Box Mount, 1/2" NPS Conduit Mount
Operating Temperature	-40°C to +40°C (-40°F to +140°F) Emergency Battery: +10°C to +40°C (+50°F to +104°F)
Material	Die Cast Aluminum Housing, Polycarbonate Optical Lens
Fixture Color	Dark Bronze (Standard), Black, White
Certifications	DLC, UL
Warranty	5 Years

WPS Series Semi-Cutoff Wall Pack

Outdoor Non-Cutoff and Semi-Cutoff Wall-Mounted Area Luminaires

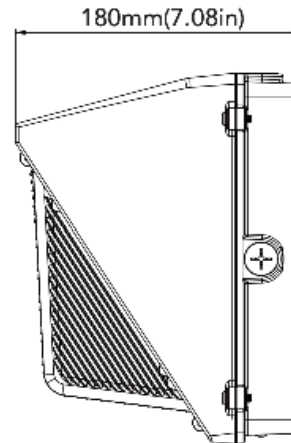
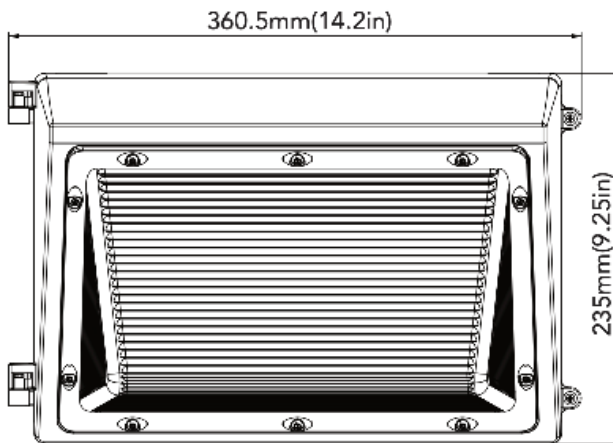
ORDERING GUIDE

 Example: **LLTVWPS-030D-40**

SKU Root	Wattage / Lumens	Driver Type	CCT	Sensor	Emergency	Fixture Color
LLTVWPS-	030 - 30W, Up to 3,500 lumens 040 - 40W, Up to 5,100 lumens 065 - 65W, Up to 7,900 lumens 090 - 90W, Up to 10,500 lumens	D - 0-10V Dimming	-40 - 4000K -50 - 5000K	Blank - None -PC - Photocell	Blank - None -E - Emergency	Blank - Bronze (Standard) BL - Black WH - White
	125 - 125W, Up to 15,000 lumens					
	065 - 65W Selectable, Up to 8,300 lumens 100 - 100W Selectable, Up to 12,000 lumens	W - Wattage Selectable	CS - 3000K/4000K/5000K Selectable		Blank - None -E - Emergency	

PRODUCT DIMENSIONS

DIMENSIONS	
Product Dimension	360.5 x 235 x 180 mm (14.2" x 9.25" x 7.08")
Luminaire Net Weight	30W: 6.327 lb 40W: 6.525 lb 65W: 6.724 lb 90W & 100W: 7.319 lb 125W: 8.157 lb



WPS Series Semi-Cutoff Wall Pack

Outdoor Non-Cutoff and Semi-Cutoff Wall-Mounted Area Luminaires

PERFORMANCE

Model	CRI	Wattage	3000K		4000K		5000K	
			Lumens	Efficacy	Lumens	Efficacy	Lumens	Efficacy
LLTVWPS-030D-XX	70	30	-	-	3,400	113	3,500	117
LLTVWPS-040D-XX	70	40	-	-	5,000	125	5,100	128
LLTVWPS-065D-XX	70	65	-	-	7,800	120	7,900	122
LLTVWPS-065WCS	70	65	7,700	118	8,300	128	7,900	122
LLTVWPS-090D-XX	70	90	-	-	10,500	117	10,500	117
LLTVWPS-100WCS	70	100	11,500	115	12,000	120	11,600	116
LLTVWPS-125D-XX	70	125	-	-	15,000	120	15,000	120

PHOTOMETRICS

