

## RHB05 Series Round High Bay

Commercial & Industrial Buildings

### OVERVIEW

<b>Wattage (W)</b>	100/80/60W Selectable 120/96/72W Selectable 150/120/90W Selectable 200/160/120W Selectable 240/192/144W Selectable
<b>Lumen Package (lm)</b>	Up to 38,400 lm
<b>Color Temperature (CCT)</b>	4000K/5000K Selectable
<b>Efficacy (lm/W)</b>	Up to 160 lm/W



### DETAILS

The RHB05 Series Round High Bay features high luminous efficacy combined with excellent build quality, a CRI of 80, and corrosion resistance.

### KEY FEATURES

- Lumen Output Up to 38,400 lm
- CCT, Power & Beam Angle Selectable
- Stock one SKU for different applications

### APPLICATIONS

- Warehouse
- Industrial Facility
- Exhibition Center
- Shopping Mall
- Gymnasium
- Toll Station



100W, 120W

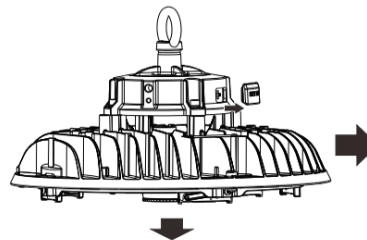


150W



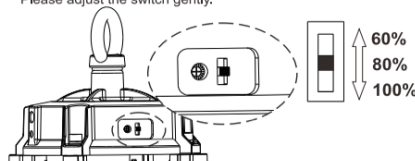
200W, 240W

### POWER & CCT SELECTABLE

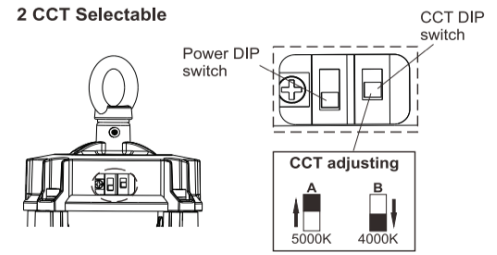


#### Power Selectable

**Caution:**  
Please power off the luminaire before adjusting the DIP switch.  
Please do not use metal tool to adjust the DIP switch.  
Please adjust the switch gently.



#### 2 CCT Selectable



#### Selectable

100%(±10%)	240W	200W	150W	120W	100W
80%(±10%)	192W	160W	120W	96W	80W
60%(±10%)	144W	120W	90W	72W	60W

\* Please consult us for details.

# RHB05 Series Round High Bay

Commercial & Industrial Buildings

## SPECIFICATIONS

<b>Wattage &amp; Lumens</b>	100W Selectable (100/80/60W), Up to 16,000 lumens 120W Selectable (120/96/72W), Up to 19,200 lumens 150W Selectable (150/120/90W), Up to 24,000 lumens 200W Selectable (200/160/120W), Up to 32,000 lumens 240W Selectable (240/192/144W), Up to 38,400 lumens
<b>Efficacy</b>	Up to 160 lm/W
<b>CCT</b>	4000K/5000K Selectable
<b>CRI (Ra)</b>	80
<b>Controls</b>	0-10V Dimming Integral Sensor Receptacle CCT, Power & Beam Angle Selectable
<b>Input Voltage</b>	120-277VAC, 50/60Hz
<b>Power Supply</b>	Lifud Driver
<b>Driver Type</b>	Constant Current
<b>Power Factor</b>	>0.95
<b>LED Type</b>	LED 2835
<b>Average Lifetime</b>	L80: 83,000 hours L70: 135,000 hours
<b>Beam Angle</b>	60°/85°/105° Selectable
<b>Mounting</b>	Loop Hanging, Ceiling Mounting
<b>Operating Temperature</b>	-30°C to +50°C (-22°F to +122°F)
<b>Material</b>	Aluminum Alloy, Polycarbonate Optical Lens
<b>Fixture Color</b>	Black
<b>Finish</b>	Powder Coating
<b>UGR Level</b>	28
<b>Surge Protection</b>	6kV line-line, 6kV line-earth
<b>IP Rating</b>	IP65
<b>IK Rating</b>	IK08
<b>Certifications</b>	DLC Premium, ETL
<b>Warranty</b>	5 Years

## RHB05 Series Round High Bay

Commercial & Industrial Buildings

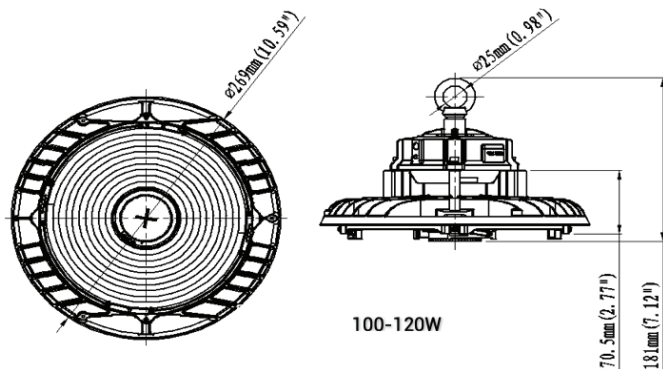
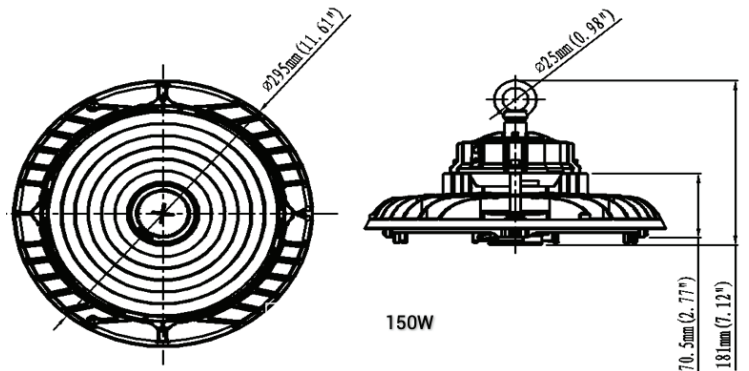
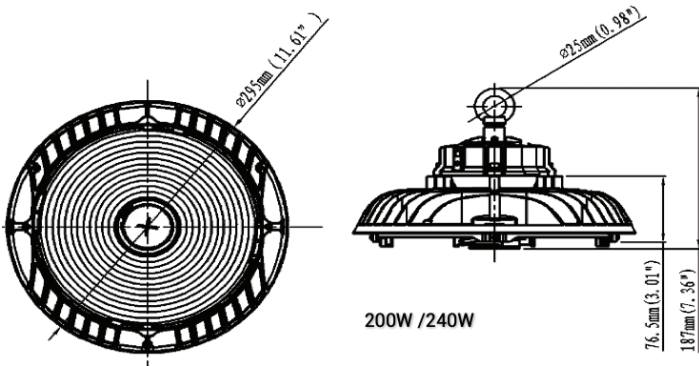
### ORDERING GUIDE

 Example: **LLTVRHB05-100WBCS**

SKU Root	Wattage / Lumens	Beam Angle	CCT
<b>LLTVRHB05-</b>	<b>100W</b> - 100/80/60W, Up to 16,000 lumens <b>120W</b> - 120/96/72W, Up to 19,200 lumens <b>150W</b> - 150/120/90W, Up to 24,000 lumens <b>200W</b> - 200/160/120W, Up to 32,000 lumens <b>240W</b> - 240/192/144W, Up to 38,400 lumens	<b>B</b> - 60°/ 85°/105° Selectable	<b>CS</b> - 4000K/5000K Selectable

### PRODUCT DIMENSIONS

DIMENSIONS	100W/80W/60W	120W/96W/72W	150W/120W/90W	240W/192W/144W
<b>Product Dimension</b>	φ269x181mm (φ10.59"x7.12")	φ269x181mm (φ10.59"x7.12")	φ295x181mm (φ11.61"x7.12")	φ295x187mm(φ11.61"x7.36")
<b>Luminaire Net Weight</b>	1.9±0.3kg(4.19±0.66Lbs)	1.9±0.3kg(4.19±0.66Lbs)	2.2±0.3kg(4.85±0.66Lbs)	2.6±0.3kg(5.73±0.66Lbs)
<b>Export Carton Size</b>	330x330x180mm	330x330x180mm	360x360x180mm	360x360x190mm
<b>Gross Weight</b>	2.7±0.3kg(5.95±0.66Lbs)	2.7±0.3kg(5.95±0.66Lbs)	3.1±0.3kg(6.83±0.66Lbs)	3.5±0.3kg(7.71±0.66Lbs)



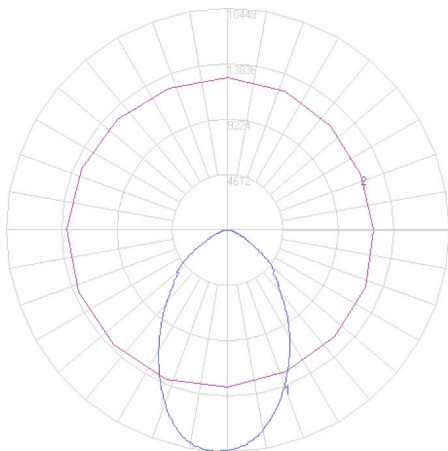
# RHB05 Series Round High Bay

Commercial & Industrial Buildings

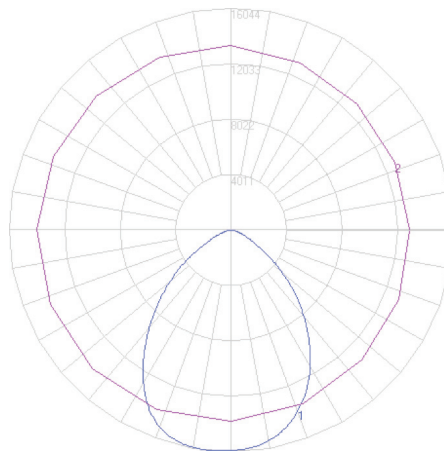
## PERFORMANCE

Model	CRI	Wattage	4000K CCT		5000K CCT	
			Lumens	Efficacy	Lumens	Efficacy
LLTVRHB05-100WBCS	80	100	16000	160	15000	150
LLTVRHB05-120WBCS	80	120	19200	160	18000	150
LLTVRHB05-150WBCS	80	150	24000	160	22500	150
LLTVRHB05-200WBCS	80	200	32000	160	30000	150
LLTVRHB05-240WBCS	80	240	38400	160	36000	150

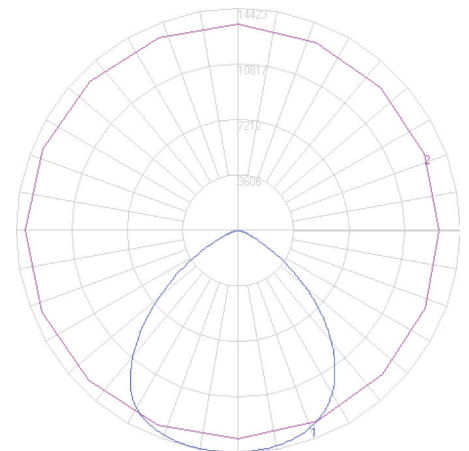
## PHOTOMETRICS



N (60°)



M (85°)

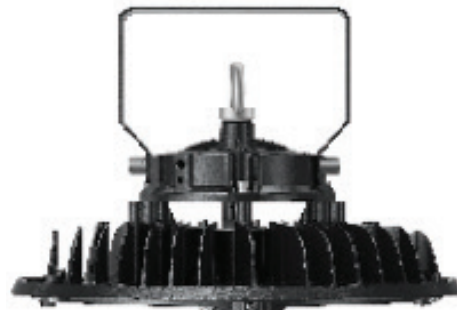


W (105°)

## MOUNTING



Loop Mounting









Ceiling Mounting

# RHB05 Series Round High Bay

Commercial & Industrial Buildings

## ACCESSORIES

SKU	Description	Image
LLTARHB05-BRK60A	± 60° Adjustable bracket (150-240W)	
LLTASEN-PIR03	PIR Sensor	
LLTASEN-MIC04	Microwave Sensor	
LLTASEN-RM03	Remote for PIR and Microwave Sensor	
LLTARHB-PCL	PC Reflector with Drop Lens (150-240W)	
LLTARHB-PC	PC Reflector (150-240W)	
LLTARHB-RFAL065 LLTARHB-RFAL090 LLTARHB-RFAL110	65° ALU Reflector (150-240W) 90° ALU Reflector (150-240W) 110° ALU Reflector (150-240W)	