

## RHB04 Series Round High Bay

Commercial & Industrial Buildings

### OVERVIEW

<b>Wattage (W)</b>	100W, 120W, 150W, 200W, 240W, 310W 150/120/100W Selectable 240/160/115/70W Selectable 310/270/240W Selectable
<b>Lumen Package (lm)</b>	Up to 53,400 lm
<b>Color Temperature (CCT)</b>	4000K, 5000K, or 4000K/5000K Selectable
<b>Efficacy (lm/W)</b>	Up to 170 lm/W



100W, 120W, 150W

### DETAILS

The RHB04 Series Round High Bay features high luminous efficacy combined with excellent build quality, a CRI of >80, and corrosion resistance.

### KEY FEATURES

- Lumen Output Up to 53,400 lm
- CCT & Power Selectable
- Stock one SKU for different applications
- Easy plug-in motion sensor
- Additional Mounting Options Available

### APPLICATIONS

- Warehouse
- Industrial Facility
- Exhibition Center
- Airport
- Shopping Mall
- Gymnasium
- Toll Station



200W, 240W



310W

# RHB04 Series Round High Bay

Commercial & Industrial Buildings

## SPECIFICATIONS

<b>Wattage &amp; Lumens</b>	100W, Up to 18,000 lumens 120W, Up to 21,500 lumens 150W, Up to 26,000 lumens 200W, Up to 34,400 lumens 240W, Up to 41,300 lumens 310W, Up to 53,400 lumens 150W Selectable (150/120/100W), Up to 26,000 lumens 240W Selectable (240/160/115/70W), Up to 37,170 lumens 310W Selectable (310/270/240W), Up to 53,400 lumens
<b>Efficacy</b>	150 lm/W (Standard), 170 lm/W (High Lumen)
<b>CCT</b>	4000K, 5000K, or 4000K/5000K Selectable
<b>CRI (Ra)</b>	80
<b>Controls</b>	0-10V Dimming Integral Sensor Receptacle CCT & Power Selectable
<b>Input Voltage</b>	120-277VAC / 120-347VAC / 277-480VAC, 50/60Hz
<b>Power Factor</b>	>0.96
<b>LED Type</b>	LED 2835
<b>Average Lifetime</b>	L90: 47,000 hours L70: 54,000 hours
<b>Beam Angle</b>	120° Standard, (Field Convert to 90° or 60° Lens - Call for Availability)
<b>Mounting</b>	Loop Hanging, Ceiling Mounting, Pendant Mounting
<b>Operating Temperature</b>	-40°C to +45°C (-40°F to +1113°F)
<b>Material</b>	Die-cast Aluminum Housing, Polycarbonate Lens
<b>Fixture Color</b>	Black
<b>Finish</b>	Powder Coating
<b>Certifications</b>	DLC, UL
<b>Warranty</b>	5 Years

# RHB04 Series Round High Bay

## Commercial & Industrial Buildings

### ORDERING GUIDE

#### 150 lm/W (Standard)

 Example: **LLTVRHB04-100D-40**

SKU Root	Wattage / Lumens	Driver Type	CCT	Voltage
LLTVRHB04-	<b>100</b> - 100W, 15,300 lumens <b>120</b> - 120W, 18,500 lumens <b>150</b> - 150W, 23,000 lumens <b>200</b> - 200W, 31,000 lumens <b>240</b> - 240W, 36,300 lumens <b>310</b> - 310W, 47,000 lumens	<b>D</b> - 0-10V Dimmable	<b>-40</b> - 4000K <b>-50</b> - 5000K	<b>BLANK</b> - 120-277VAC <b>-347</b> - 120-347VAC <b>-480</b> - 277-480VAC
	<b>150</b> - 150/120/100W, 23,000 lumens <b>240</b> - 240/160/115/70W, 37,170 lumens <b>310</b> - 310/270/240W, 47,000 lumens	<b>W</b> - Wattage Selectable	<b>-40</b> - 4000K <b>-50</b> - 5000K <b>CS</b> - Color Selectable	<b>BLANK</b> - 120-277VAC <b>-347</b> - 120-347VAC

#### 170 lm/W (High Lumen)

 Example: **LLTVRHB04-100D-408H**

SKU Root	Wattage / Lumens	Driver Type	CCT	CRI	Voltage
LLTVRHB04-	<b>100</b> - 100W, 18,000 lumens <b>120</b> - 120W, 21,500 lumens <b>150</b> - 150W, 26,000 lumens <b>200</b> - 200W, 34,400 lumens <b>240</b> - 240W, 41,300 lumens <b>310</b> - 310W, 53,400 lumens	<b>D</b> - 0-10V Dimmable	<b>-40</b> - 4000K <b>-50</b> - 5000K	<b>8H</b> - 80	<b>BLANK</b> - 120-277VAC <b>-347</b> - 120-347VAC <b>-480</b> - 277-480VAC
	<b>150</b> - 150/120/100W, 26,000 lumens <b>240</b> - 240/160/115/70W, 36,300 lumens <b>310</b> - 310/270/240W, 53,400 lumens	<b>W</b> - Wattage Selectable			<b>BLANK</b> - 120-277VAC <b>-347</b> - 120-347VAC

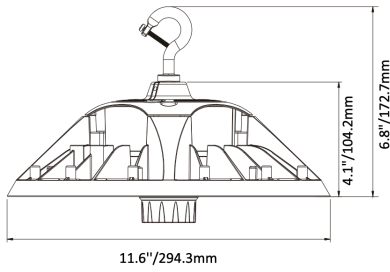
### PRODUCT DIMENSIONS

DIMENSIONS	100W, 120W, 150W	200W, 240W	310W
<b>Product Dimension</b>	345 x 345 x 145 mm	380 x 380 x 145 mm	410 x 410 x 235 mm
<b>Luminaire Net Weight</b>	2.05 kgs	2.75 kgs	3.95 kgs
<b>Gross Weight</b>	3 kgs	3.97 kgs	5.7 kgs

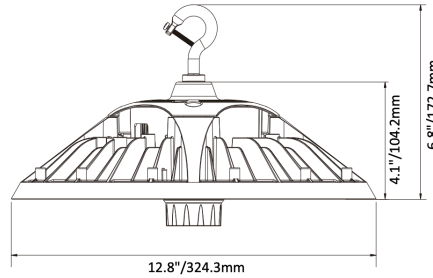
**RHB04 Series Round High Bay**  
Commercial & Industrial Buildings

**PRODUCT DIMENSIONS (CONT'D)**

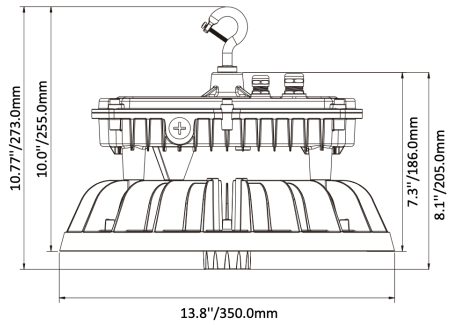
**100W/120W/150W**  
(AC120-277/347V)



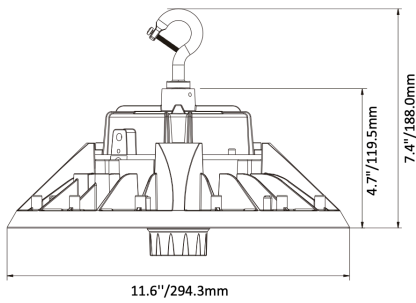
**200W/240W**  
(AC120-277/347V)



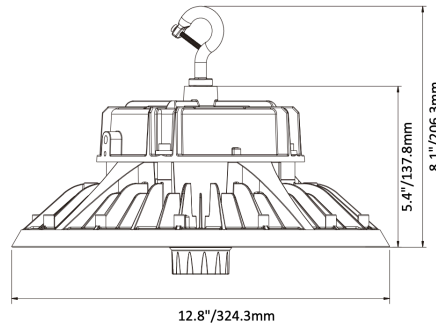
**310W**  
(AC120-277/347V, AC277-480V)



**100W/120W/150W**  
(AC277-480V)



**200W/240W**  
(AC277-480V)



# RHB04 Series Round High Bay

## Commercial & Industrial Buildings

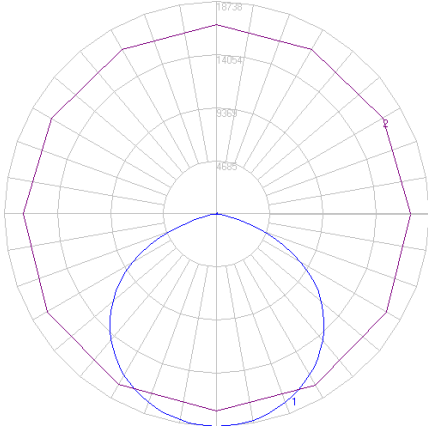
### PERFORMANCE

Model	CRI	Wattage	Lumens	Efficacy
LLTVRHB04-100D-XX	80	100	15,300	153
LLTVRHB04-100D-XX8H	80	100	18,000	180
LLTVRHB04-120D-XX	80	120	18,500	154
LLTVRHB04-120D-XX8H	80	120	21,500	179
LLTVRHB04-150D-XX LLTVRHB04-150W-XX LLTVRHB04-150WCS	80	150	23,000	153
LLTVRHB04-150D-XX8H LLTVRHB04-150W-XX8H	80	150	26,000	173
LLTVRHB04-200D-XX	80	200	31,000	155
LLTVRHB04-200D-XX8H	80	200	34,400	172
LLTVRHB04-240D-XX LLTVRHB04-240W-XX LLTVRHB04-240WCS	80	240	36,300	151
LLTVRHB04-240D-XX8H LLTVRHB04-240W-XX8H	80	240	41,300	172
LLTVRHB04-310D-XX LLTVRHB04-310W-XX LLTVRHB04-310WCS	80	310	47,000	152
LLTVRHB04-310D-XX8H LLTVRHB04-310W-XX8H	80	310	53,400	172

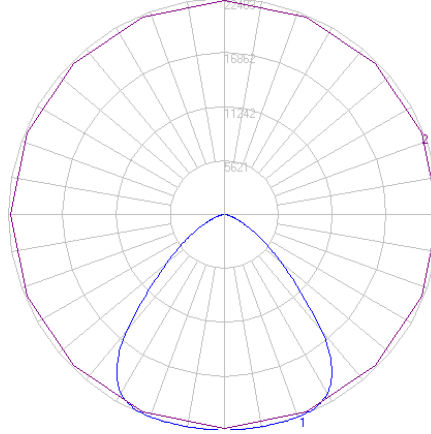
# RHB04 Series Round High Bay

Commercial & Industrial Buildings

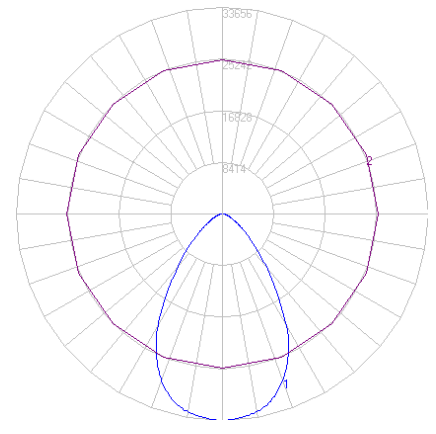
## PHOTOMETRICS



120° Circular Lens (Standard)



90° Circular Lens











60° Circular Lens

# RHB04 Series Round High Bay

Commercial & Industrial Buildings

## ACCESSORIES

SKU	Description	Image
LLTASEN-PIR02	PIR Motion Sensor	
LLTASEN-MIC03	Microwave Motion Sensor	
LLTASEN-RM04	Remote Controller for PIR Sensor and Microwave Motion Sensor	
LLTARHB04-ADPTR-3/4NPS	Pendant Mount Adaptor 3/4 NPS	
LLTARHB04-BRK90A	±90° Adjustable Bracket	
LLTARHB04-PC01	PC Reflector (100W-150W)	
LLTARHB04-PC02	PC Reflector (200W-310W)	
LLTARHB04-PCL01	PC Reflector with Drop Lens (100W-150W)	
LLTARHB04-PCL02	PC Reflector with Drop Lens (200W-310W)	