

RHB02 Series Round High Bay

Commercial & Industrial Buildings

OVERVIEW

Wattage (W)	100/80/60W Selectable 120/100/80/60W Selectable 150/120/100/80W Selectable 200/150/120/100W Selectable 240/200/175/150W Selectable
Lumen Package (lm)	Up to 48,000 lm
Color Temperature (CCT)	4000K, 5000K
Efficacy (lm/W)	Up to 200 lm/W



DETAILS

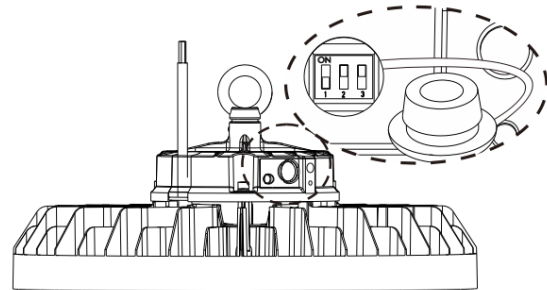
The RHB02 Series Round High Bay offers five different models to cover an enormous range of needs, from low-bay workbench lighting to ceilings 35 feet high. All models provide a brilliant luminous efficacy of up to 200 lm/W for the brightest possible light at the lowest possible energy cost.

KEY FEATURES

- Lumen Output Up to 48,000 lm
- Power Selectable
- Market-leading 200 lm/W
- IP65 & IK08 double protection
- Easy plug-in motion sensor

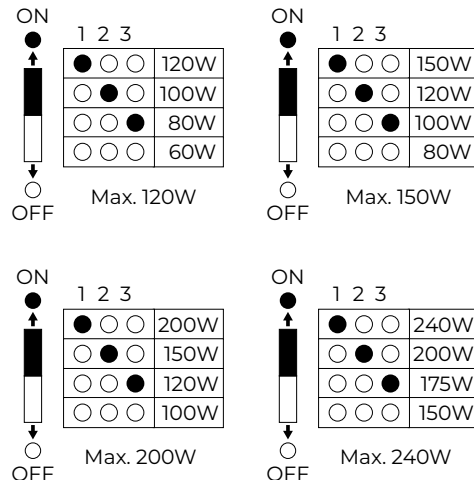
DIP SWITCH

The power could be set by the DIP switch from the Lifud driver.



APPLICATIONS

- Warehouse
- Industrial Facility
- Exhibition Center
- Airport
- Shopping Mall
- Gymnasium
- Toll Station



RHB02 Series Round High Bay

Commercial & Industrial Buildings

SPECIFICATIONS

Wattage & Lumens	100W Selectable (100/80/60W), Up to 20,000 lumens 120W Selectable (120/100/80/60W), Up to 24,000 lumens 150W Selectable (150/120/100/80W), Up to 30,000 lumens 200W Selectable (200/150/120/100W), Up to 40,000 lumens 240W Selectable (240/200/175/150W), Up to 48,000 lumens
Efficacy	Up to 200 lm/W
CCT	4000K, 5000K
CRI (Ra)	70
Controls	0-10V Dimming Integral Sensor Receptacle Power Selectable
Input Voltage	100-277VAC, 50/60Hz
Power Supply	Lifud Driver
Driver Type	Constant Current (CC)
Power Factor	>0.93
LED Type	LED 2835
Average Lifetime	L90: 40,000 hours L80: 84,000 hours L70: 134,000 hours
Beam Angle	40°, 60°, 90°, 120°
Mounting	Loop Hanging, Ceiling Mounting, Pendant Mounting
Operating Temperature	-30°C to +50°C (-22°F to +122°F)
Material	Aluminum Alloy, Polycarbonate Optical Lens
Fixture Color	Black
Finish	Powder Coating
UGR Level	<25
Surge Protection	4kV line-line, 6kV line-earth
IP Rating	IP65
IK Rating	IK08
Certifications	DLC, ETL
Warranty	5 Years

RHB02 Series Round High Bay

Commercial & Industrial Buildings

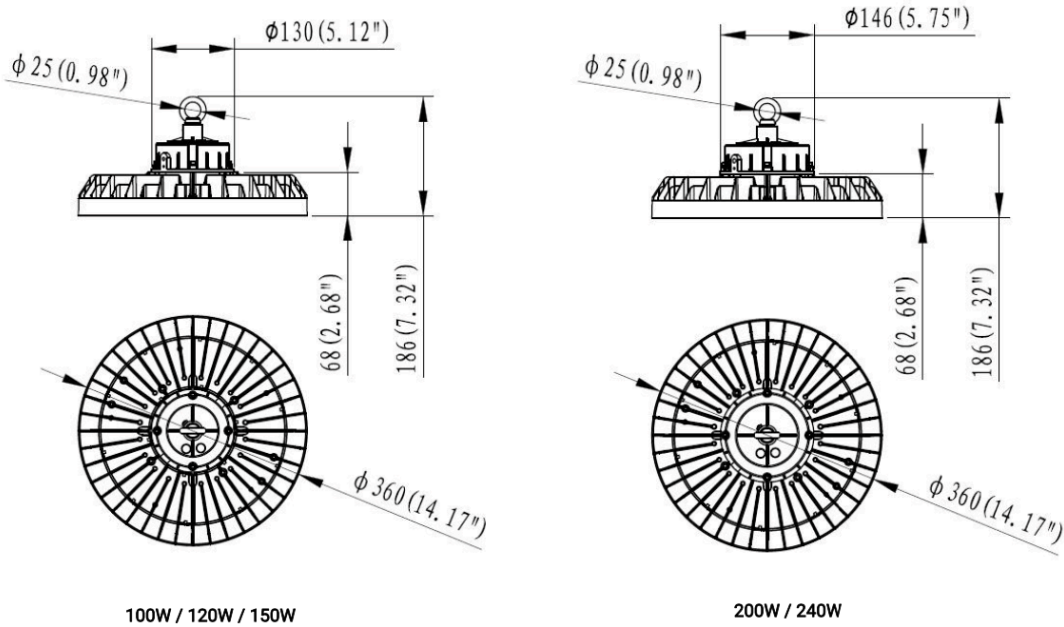
ORDERING GUIDE

 Example: **LLTVRHB02-100W-407H120**

SKU Root	Wattage / Lumens	Driver Type	CCT	CRI	Beam Angle
LLTVRHB02-	100 - 100W Selectable, Up to 20,000 lumens	W - Wattage Selectable	-40 - 4000K -50 - 5000K	7H - 70, High Lumen	120 - 120°
	120 - 120W Selectable, Up to 24,000 lumens				90 - 90°
	150 - 150W Selectable, Up to 30,000 lumens				60 - 60°
	200 - 200W Selectable, Up to 40,000 lumens				40 - 40°
	240 - 240W Selectable, Up to 48,000 lumens				

PRODUCT DIMENSIONS

DIMENSIONS	100W, 120W, 150W	200W, 240W
Product Dimension	ø360 x 186mm (ø14.17" x 7.28")	
Luminaire Net Weight	3.9±0.3kg (8.6±0.66 lbs)	4.3±0.3kg (9.47±0.66 lbs)
Export Carton Size	428 x 428 x 225mm (16.85" x 16.85" x 8.86")	
Gross Weight	5.3±0.3kg (11.68±0.66 lbs)	5.7±0.3kg (12.57±0.66 lbs)



RHB02 Series Round High Bay

Commercial & Industrial Buildings

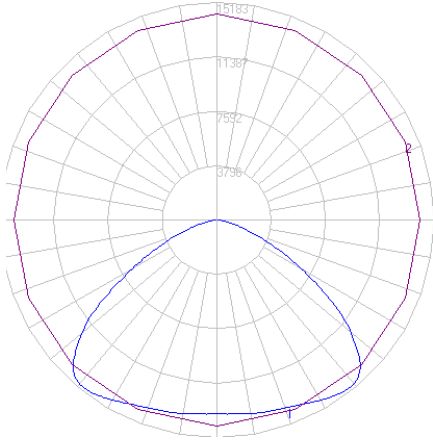
PERFORMANCE

Distribution	Model	CRI	Wattage	4000K		5000K	
				Lumens	Efficacy	Lumens	Efficacy
40	LLTVRHB02-100W-XX-40	70	100W	18,275	183	19,075	191
	LLTVRHB02-120W-XX-40	70	120W	22,049	184	23,009	192
	LLTVRHB02-150W-XX-40	70	150W	27,713	185	28,913	193
	LLTVRHB02-200W-XX-40	70	200W	36,470	182	38,110	191
	LLTVRHB02-200W-XX-40	70	240W	43,171	180	45,246	189
60	LLTVRHB02-100W-XX-60	70	100W	18,270	183	19,070	191
	LLTVRHB02-120W-XX-60	70	120W	22,032	184	22,992	192
	LLTVRHB02-150W-XX-60	70	150W	27,690	185	28,890	193
	LLTVRHB02-200W-XX-60	70	200W	37,320	187	38,960	195
	LLTVRHB02-240W-XX-60	70	240W	47,350	197	49,425	206
90	LLTVRHB02-100W-XX-90	70	100W	18,600	186	19,410	194
	LLTVRHB02-120W-XX-90	70	120W	22,428	187	23,412	195
	LLTVRHB02-150W-XX-90	70	150W	28,185	188	29,415	196
	LLTVRHB02-200W-XX-90	70	200W	38,000	190	39,660	198
	LLTVRHB02-240W-XX-90	70	240W	48,225	201	50,300	210
120	LLTVRHB02-100W-XX-120	70	100W	18,240	182	19,040	190
	LLTVRHB02-120W-XX-120	70	120W	21,996	183	22,956	191
	LLTVRHB02-150W-XX-120	70	150W	27,645	184	30,000	200
	LLTVRHB02-200W-XX-120	70	200W	37,260	186	38,880	194
	LLTVRHB02-240W-XX-120	70	240	47,275	197	49,325	206

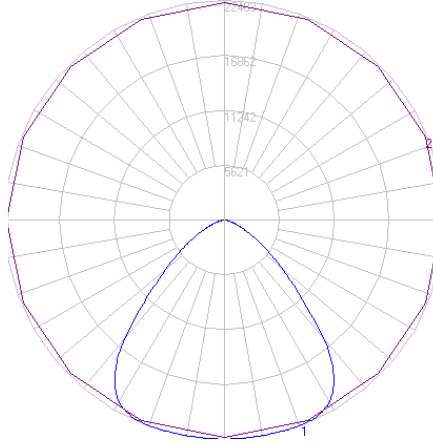
RHB02 Series Round High Bay

Commercial & Industrial Buildings

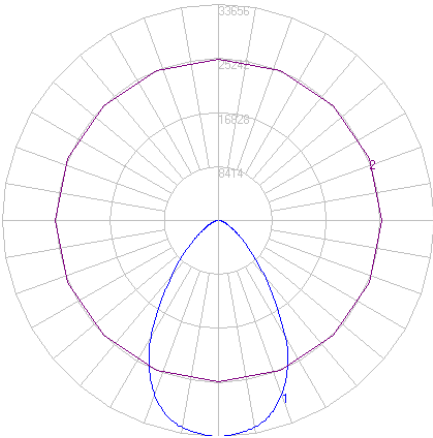
PHOTOMETRICS



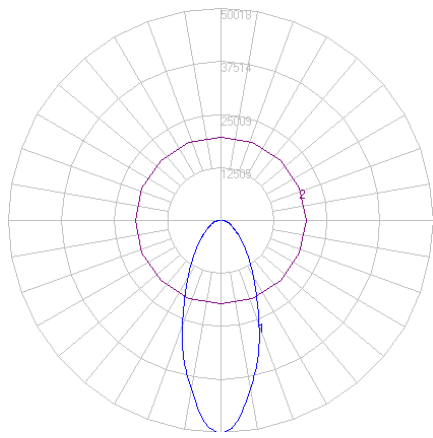
120° Circular Lens (Standard)



90° Circular Lens



60° Circular Lens (Standard)



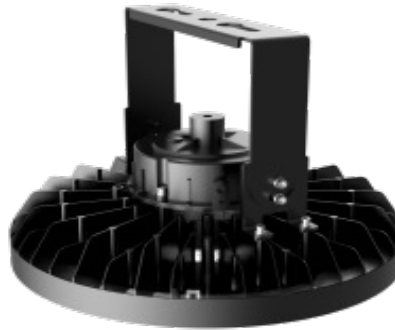
40° Circular Lens

RHB02 Series Round High Bay Commercial & Industrial Buildings

MOUNTING



Loop Mounting (Standard)



Ceiling Mounting

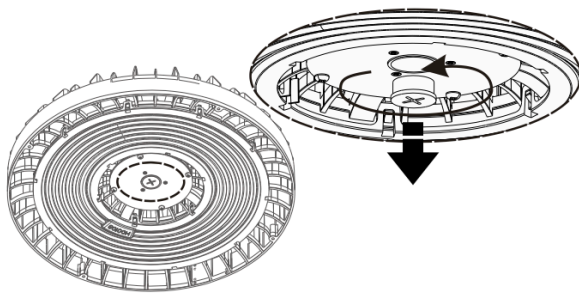


Pendant Mounting

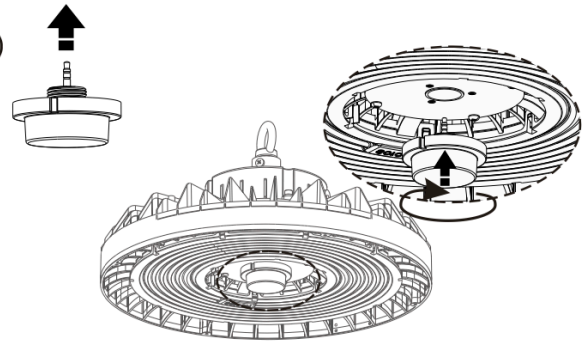
MOTION SENSOR ASSEMBLY

Motion sensor A

①

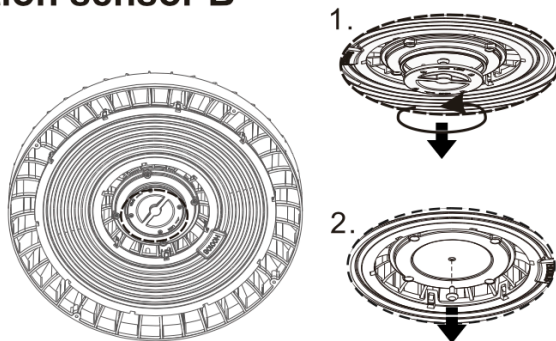


②

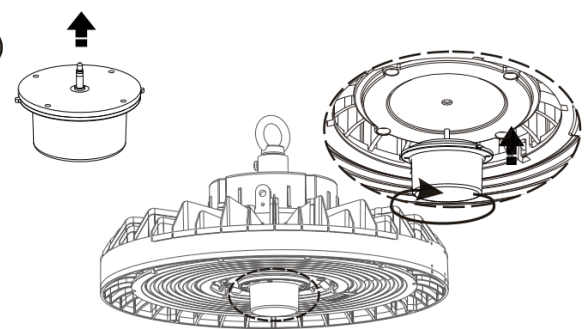


Motion sensor B

①









②



RHB02 Series Round High Bay

Commercial & Industrial Buildings

ACCESSORIES

SKU	Description	Image
LLTASEN-MIC02	Plug and play Bi-level Microwave Motion Sensor	
LLTASEN-RM03	Remote Controller for Motion Sensor	
LLTARHB02-BRK	Non-Adjustable Bracket	
LLTARHB02-BRK60A	±60° Adjustable Bracket	
LLTARHB02-BRK-P3/4NPT	Pipe Mount Bracket	
LLTARHB-RFAL090 LLTARHB-RFAL100	Aluminum Reflectors	
LLTARHB-PC	PC Reflector	