

FL Series Flood Light

Outdoor Pole/Arm-Mounted Area & Roadway

OVERVIEW

Wattage (W)	75/56/38/23W Selectable 100/75/50/30W Selectable 120/90/60/36W Selectable 150/113/75/45W Selectable 200/150/100/60W Selectable 240/180/120/72W Selectable 300/225/150/90W Selectable
Lumen Package (lm)	Up to 45,000 lm
Color Temperature (CCT)	3000K/4000K/5000K Selectable
Efficacy (lm/W)	150 lm/W



75W, 100W, 120W, 150W
High Output



DETAILS

This LED Flood Light is available in two sizes, with wattages ranging from 75W-300W to be used for a variety of applications. The field-adjustable color temperature and power options, combined with the various mounting options, make this flood light one of the most flexible on the market.



200W, 240W, 300W
Very High Output

KEY FEATURES

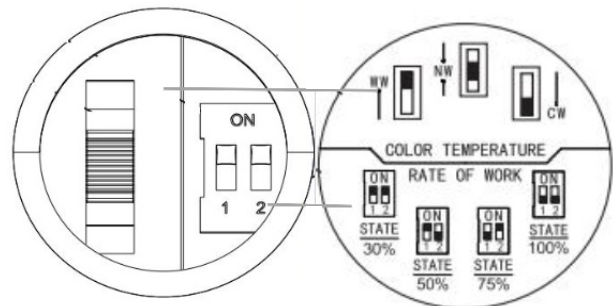
- Lumen Output Up to 45,000 lm
- CCT & Power Selectable
- Stock one SKU for different applications
- Slipfitter, Yoke, or Trunnion Mount Options
- IP66 & IK08 double protection

APPLICATIONS

- Outdoor Parking Lot
- Building External Area
- High Poles
- Walkways Between Buildings
- Building Local
- Sports Arena Exterior

DIP SWITCH

The power and color temperature can both be set by the DIP switch.



FL Series Flood Light

Outdoor Pole/Arm-Mounted Area & Roadway

SPECIFICATIONS

Wattage & Lumens	75W Selectable (75/56/38/23W), Up to 11,250 lumens 100W Selectable (100/75/50/30W), Up to 15,000 lumens 120W Selectable (120/90/60/36W), Up to 18,000 lumens 150W Selectable (150/113/75/45W), Up to 22,500 lumens 200W Selectable (200/150/100/60W), Up to 30,000 lumens 240W Selectable (240/180/120/72W), Up to 36,000 lumens 300W Selectable (300/225/150/90W), Up to 45,000 lumens
Efficacy	150 lm/W
CCT	3000K/4000K/5000K Selectable
CRI (Ra)	70
Controls	0-10V Dimming CCT & Power Selectable Photocell (*must be special ordered)
Input Voltage	100-277VAC / 277-480VAC, 50/60Hz
Power Supply	SOSEN
Driver Type	Constant Current (CC)
Power Factor	>0.9
LED Type	LED 2835
Average Lifetime	L90: 40,000 hours L80: 82,000 hours L70: 131,000 hours
Beam Angle	65°x95° (7x6), 35°x85° (7x5)
Mounting	Yoke Mount, Wall Mount, Slipfitter
Operating Temperature	-30°C to +50°C (-22°F to +122°F)
Material	Aluminum Alloy, Polycarbonate Optical Lens
Fixture Color	Black, Bronze
Finish	Akzo Powder Coating
EPA	75W-150W: 0.03 m ² /0.43 ft ² 200W-300W: 0.07 m ² /0.86 ft ²
Surge Protection	4kV line-line, 6kV line-earth
IP Rating	IP66
IK Rating	IK08
Certifications	DLC Premium, ETL
Warranty	5 Years

FL Series Flood Light

Outdoor Pole/Arm-Mounted Area & Roadway

ORDERING GUIDE

Example: **LLTVFL-300WCS**

SKU Root	Wattage / Lumens	CCT	Beam Angle	Voltage	Finish
LLTVFL-	075W - 75W Selectable, Up to 11,250 lumens 100W - 100W Selectable, Up to 15,000 lumens 120W - 120W Selectable, Up to 18,000 lumens 150W - 150W Selectable, Up to 22,500 lumens 200W - 200W Selectable, Up to 30,000 lumens 240W - 240W Selectable, Up to 36,000 lumens 300W - 300W Selectable, Up to 45,000 lumens	CS - 3000K/4000K/5000K Selectable	Blank - 65°x95° -FN - 35°x85° (Narrow)	Blank - 100-277V -480 - 277-480V	Blank - Black -BZ - Bronze

PRODUCT DIMENSIONS

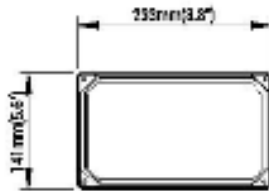
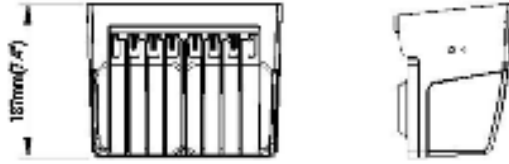
DIMENSIONS	75W, 100W, 120W, 150W	200W, 240W, 300W
Product Dimension	233 x 187 x 141 mm (8.8" x 7.4" x 5.6")	469 x 187 x 185 mm (18.5" x 7.4" x 7.3")
Luminaire Net Weight	3.4kg (7.48 lbs)	7.9kg (17.38 lbs)
Export Carton Size	310 x 305 x 255 mm (11.8" x 12" x 10")	540 x 310 x 255 mm (21.3" x 12.2" x 10")
Gross Weight	5kg (11 lbs)	9.6kg (21 lbs)

FL Series Flood Light

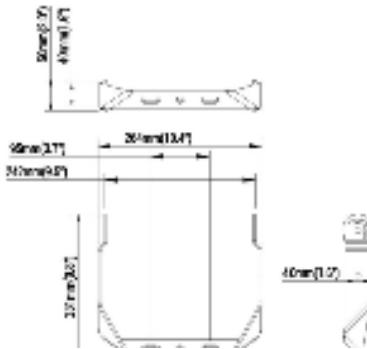
Outdoor Pole/Arm-Mounted Area & Roadway

PRODUCT DIMENSIONS

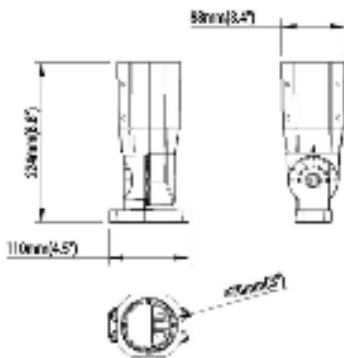
Single Module



Single module

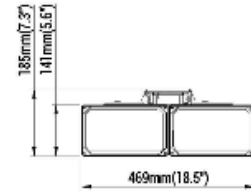
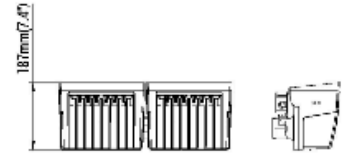


Single module Yoke Mount

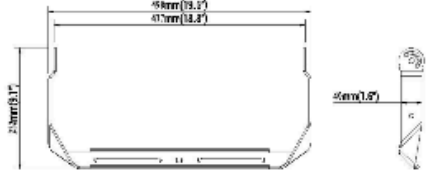


Ø76mm Slipfitter

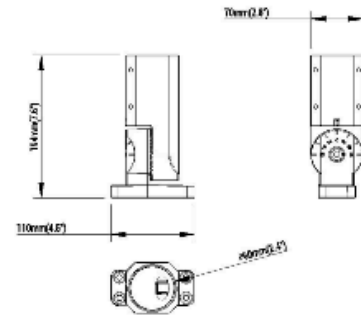
Double Module



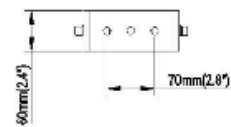
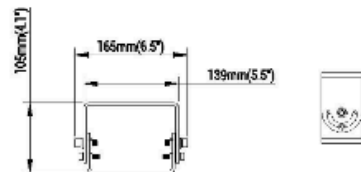
Double module



Double module Yoke Mount



Ø60mm Slipfitter



Wall Mount

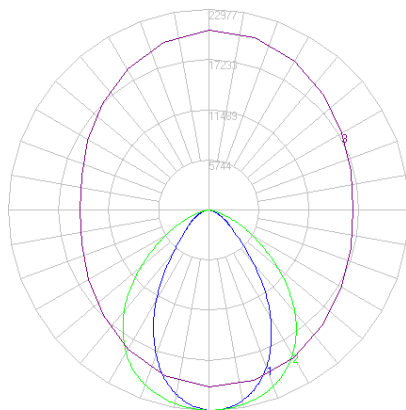
FL Series Flood Light

Outdoor Pole/Arm-Mounted Area & Roadway

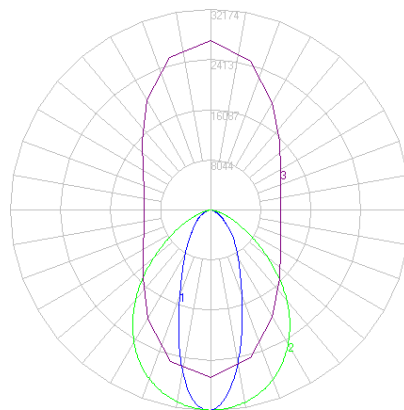
PERFORMANCE

Model	Setting	Distribution	CRI	Lumens	Wattage	Efficacy
LLTVFL-075WCS-FN	75W	35x85	70	9,975	75	133
LLTVFL-075WCS	75W	65x95	70	10,050	75	134
LLTVFL-100WCS-FN	100W	35x85	70	13,300	100	133
LLTVFL-100WCS	100W	65x95	70	13,400	100	134
LLTVFL-120WCS-FN	120W	35x85	70	15,960	120	133
LLTVFL-120WCS	120W	65x95	70	16,080	120	134
LLTVFL-150WCS-FN	150W	35x85	70	19,950	150	133
LLTVFL-150WCS	150W	65x95	70	20,100	150	134
LLTVFL-200WCS-FN	200W	35x85	70	26,600	200	133
LLTVFL-200WCS	200W	65x95	70	26,800	200	134
LLTVFL-240WCS-FN	240W	35x85	70	31,920	240	133
LLTVFL-240WCS	240W	65x95	70	32,160	240	134
LLTVFL-300WCS-FN	300W	35x85	70	39,900	300	133
LLTVFL-300WCS	300W	65x95	70	40,200	300	134

PHOTOMETRICS



65°x95° (Standard)



35°x85° (-FN)

FL Series Flood Light

Outdoor Pole/Arm-Mounted Area & Roadway

MOUNTING

Single Module



Yoke Mount (Standard)



Wall Mount



Slipfitter

Double Module



Yoke Mount (Standard)



Wall Mount



Slipfitter

ACCESSORIES

SKU	Description	Image
LLTAFL-SLA60MM LLTAFL-SLA60MM-BZ	Slipfitter Adjustable Angle Mounting Bracket with 60 mm Sleeve	
LLTAFL-SLA76MM LLTAFL-SLA76MM-BZ	Slipfitter Adjustable Angle Mounting Bracket with 76 mm Sleeve	
LLTAFL-BRKA LLTAFL-BRKA-BZ	Wall Mount	
LLTAFL-PCPKG	Factory-assembled NEMA socket & Photocell package	