

## 4V02 Series Vapor Tight High Bay

High Bay Luminaires for Commercial and Industrial Buildings

### OVERVIEW

<b>Wattage (W)</b>	75W, 100W, 150W, 180W, 210W 155/135/125/100W Selectable 180/155/135/105W Selectable
<b>Lumen Package (lm)</b>	Up to 30,000 lm
<b>Color Temperature (CCT)</b>	3500K, 4000K, 5000K, or 3500K/4000K/5000K Selectable
<b>Efficacy (lm/W)</b>	Up to 150 lm/W



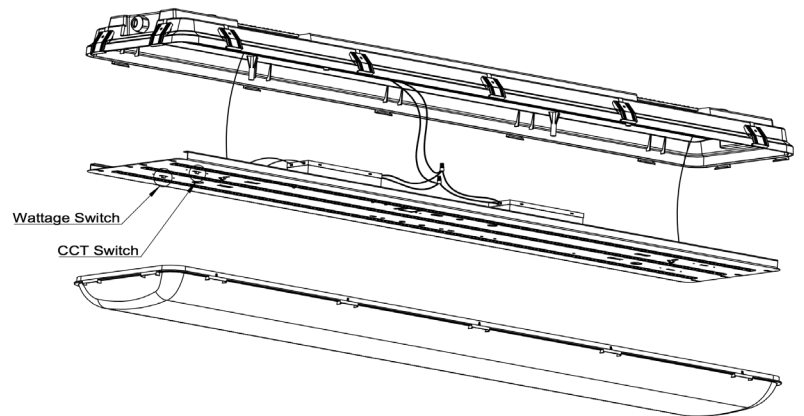
### DETAILS

Premium illumination for high ceiling spaces faced with environmental challenges. Boasting IP67, IK10, and NEMA 4X enclosure ratings, plus NSF certification, this light's housing is built to protect from dust, bugs, debris, and water ingress, resist corrosion, and withstand impact, while also being safe for use in food and pharmaceutical environments.

### KEY FEATURES

- Lumen Output Up to 30,000 lm
- CCT & Power Selectable
- Stock one SKU for different applications
- IP67 & IK10 double protection
- NEMA 4X and NSF Certified

### WATTAGE & CCT SWITCH



### APPLICATIONS

- Car Washes
- Tunnels
- Stairwells
- Garages
- Basements
- Workshops
- Commercial Kitchens
- Utility Rooms
- Food Processing Plants

# 4V02 Series Vapor Tight High Bay

## High Bay Luminaires for Commercial and Industrial Buildings

### SPECIFICATIONS

<b>Wattage &amp; Lumens</b>	75W, 10,500 lumens 100W, 14,000 lumens 150W, 21,000 lumens 180W, 25,200 lumens 210W, 30,000 lumens 155/135/125/100W Selectable, Up to 21,700 lumens 180/155/135/105W Selectable, Up to 27,000 lumens
<b>Efficacy</b>	Up to 150 lm/W
<b>CCT</b>	3500K, 4000K, 5000K, or 3500K/4000K/5000K Selectable
<b>CRI (Ra)</b>	80
<b>Controls</b>	0-10V Dimming CCT & Power Selectable Motion Sensor
<b>Input Voltage</b>	120-277VAC / 120-347VAC, 50/60Hz 347-480VAC (Only for 150W)
<b>Power Factor</b>	≥0.9
<b>LED Type</b>	LED 2835
<b>Average Lifetime</b>	L70: 54,000 hours
<b>Beam Angle</b>	110°
<b>Mounting</b>	Surface Mount, Suspension
<b>Operating Temperature</b>	-40°C to +40°C (Suspension), -40°C to +37°C (Surface Mount)
<b>Humidity</b>	20%-85% RH, non-condensing
<b>Material</b>	Polycarbonate Housing and Lens, SPCC Steel Tray, Stainless Steel Clips
<b>Fixture Color</b>	Gray or White Gray
<b>UGR Level</b>	<28
<b>Surge Protection</b>	4kV line-line, 5kV line-earth
<b>IP Rating</b>	IP67
<b>IK Rating</b>	IK10
<b>Certifications</b>	DLC Premium, ETL, NSF, NEMA 4X, FCC
<b>Warranty</b>	5 Years

## 4V02 Series Vapor Tight High Bay

High Bay Luminaires for Commercial and Industrial Buildings

### ORDERING GUIDE

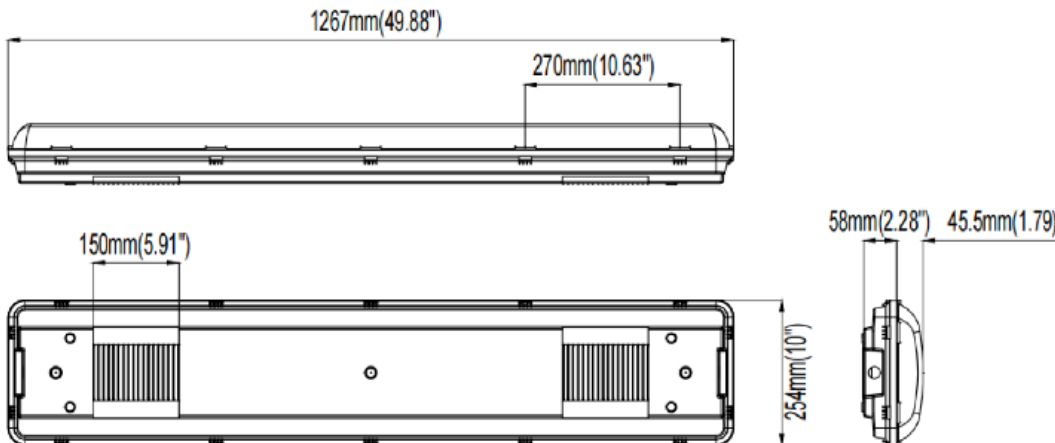
 Example: **LLTV4V02-075D35**

SKU Root	Wattage / Lumens	Driver	CCT	Lens
LLTV4V02	<b>075</b> - 75W, Up to 10,500 lm <b>100</b> - 100W, Up to 14,000 lm <b>150</b> - 150W, Up to 21,000 lm <b>180</b> - 180W, Up to 25,200 lm <b>210</b> - 210W, Up to 30,000 lm	<b>D</b> - 0-10V Dimmable	<b>-35</b> - 3500K <b>-40</b> - 4000K <b>-50</b> - 5000K <b>CS</b> - 3500K/4000K/5000K Selectable* *(100W & 150W only)	<b>Blank</b> - Antiglare Clear  <b>F</b> - Frosted
	<b>155</b> - 155/135/125/100W Selectable, Up to 21,700 lm <b>180</b> - 180/155/135/105W Selectable, Up to 27,000 lm	<b>W</b> - Wattage Selectable	<b>CS</b> - 3500K/4000K/5000K Selectable	

Sensor	Voltage	Emergency	Color
<b>Blank</b> - None  <b>MM</b> - Motion Sensor	<b>Blank</b> - 120-277VAC <b>-347</b> - 120-347VAC <b>-480</b> - 347-480VAC** **(150W only)	<b>Blank</b> - None <b>E15</b> - 15W Emergency Driver <b>E20</b> - 20W Emergency Driver	<b>Blank</b> - White Gray <b>CY</b> - Gray

### PRODUCT DIMENSIONS

DIMENSIONS	
Product Dimension	49.88" x 10" x 4.07" (1267 mm x 254 mm x 103.5 mm)
Luminaire Net Weight	6.6 kg
Export Carton Size	1300 mm x 280 mm x 140 mm
Gross Weight	7.7 kg



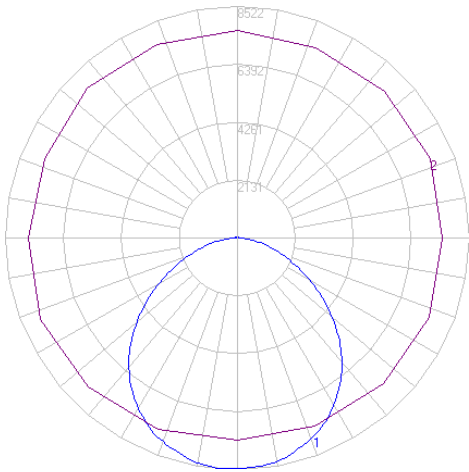
# 4V02 Series Vapor Tight High Bay

High Bay Luminaires for Commercial and Industrial Buildings

## PERFORMANCE

Model	CRI	Wattage	Lumens	Efficacy
LLTV4V02-075D-XX	80	75	10,500	140
LLTV4V02-100D-XX LLTV4V02-100WCS	80	100	14,000	140
LLTV4V02-150D-XX LLTV4V02-150WCS	80	150	21,000	140
LLTV4V02-155WCS	80	155	21,700	140
LLTV4V02-180D-XX	80	180	25,200	140
LLTV4V02-180WCS	80	180	27,000	150
LLTV4V02-210D-XX	80	210	30,000	143

## PHOTOMETRICS

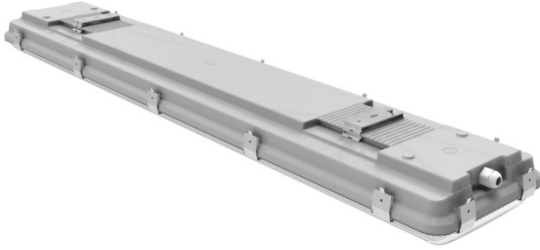


110° Circular Lens (Standard)

## 4V02 Series Vapor Tight High Bay

High Bay Luminaires for Commercial and Industrial Buildings

### MOUNTING



Surface Mounting



Suspension Mounting  
*(chain not included)*