



Vortex VT22

Turbine Grinder



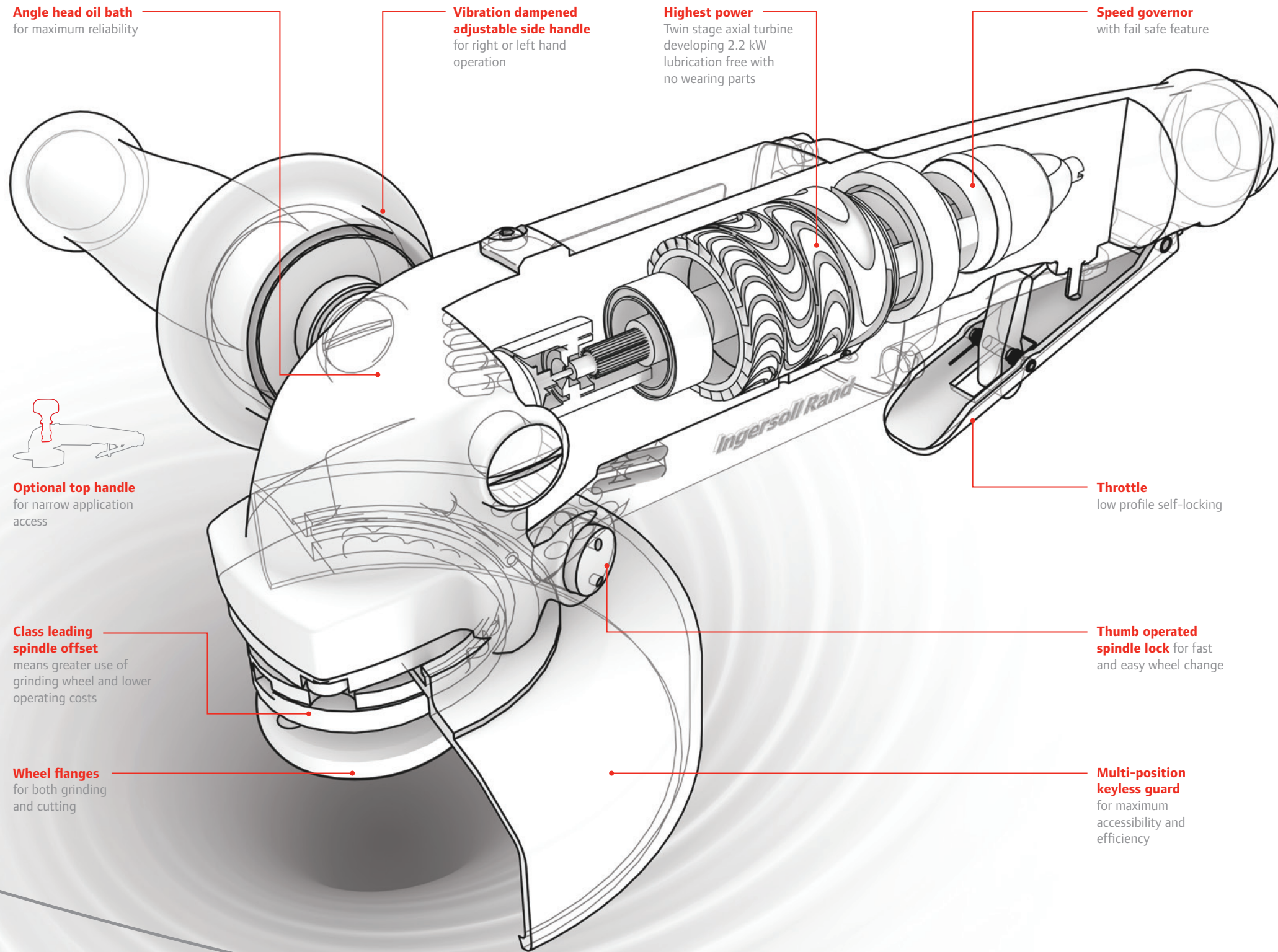
VORTEX

Maximum power, durability & efficiency

Producing 2.2kW in a package weighing only 2.0kg the VT22 Turbine Grinder has the highest power/weight ratio on the market today for a 125mm angle grinder – giving an unsurpassed material removal rate. Capable of maintaining the most efficient speed in the toughest application, the VT22 turbine grinder has a fail-safe over-speed mechanism to ensure operator safety – and with a vibration dampened side handle the VT22 turbine grinder has a very low overall vibration level.

A spindle offset of only 22.5mm means greater efficiency and lower operating costs by enabling greater use of the grinding wheel, and it enables a cutting depth of up to 40mm. When the grinding wheel does need changing, the thumb operated spindle lock means the changeover can be done in seconds.

Put the VT22 Turbine Grinder to work today - and see how it meets the toughest challenge.



Model: VT22-120P95M									
kWatt	1 min.	mm	mm	kg	mm	mm	bsp	mm	max cut depth
2.2	12,000	125	2-6	2.0	295	89.5	½	13	40
	L/sec power	L/sec free speed	pressure	power	measurement of uncertainty		UPC/EAN		
-	L/S	L/S	dB(A) ISO 15744	dB(A) ISO 15744	m/s ² ISO 28927	m/s ²		-	
M14	30	11.6	86.4	97.4	5.7	2.1		6 63024 00523 1	



Ingersoll Rand Industrial Technologies provides products, services and solutions that enhance our customers' energy efficiency, productivity and operations. Our diverse and innovative products range from complete compressed air systems, tools and pumps to material and fluid handling systems. We also enhance productivity through solutions created by Club Car®, the global leader in golf and utility vehicles for businesses and individuals.

www.ingersollrandproducts.com

Distributed by:

Nothing contained on these pages is intended to extend any warranty or representation, expressed or implied, regarding the product described herein. Any such warranties or other terms and conditions of sale of product shall be in accordance with Ingersoll Rand's standard terms and conditions of sale for such products, which are available upon request.

Product improvement is a continuing goal at Ingersoll Rand. Designs and specifications are subject to change without notice or obligation.