



51956035
Edition 6
March 2008

Paving Breaker

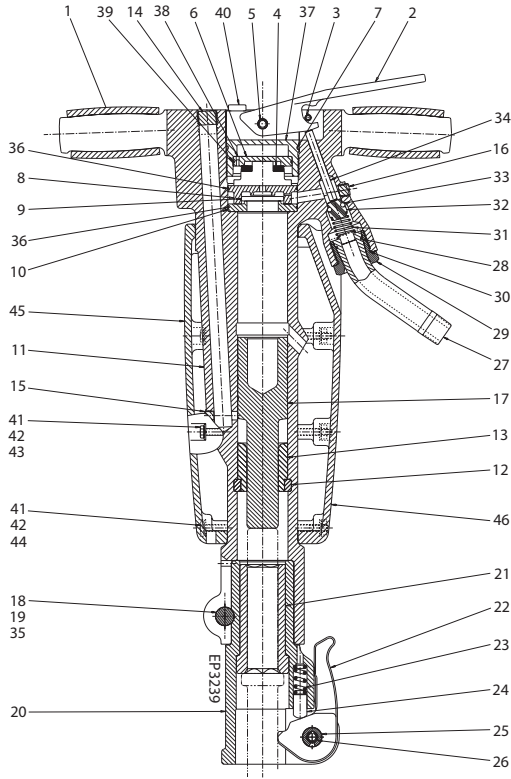
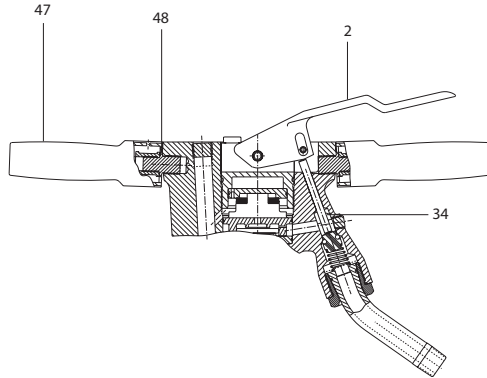
**Models PB35A, PB35AS, PB50A and PB50AS
(With/Without Flex Handles)**

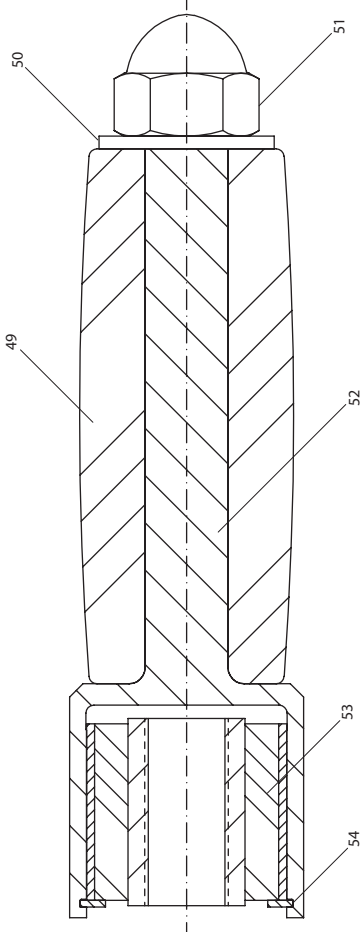
Parts Information



Save These Instructions

Paving Breaker Models PB35A, PB35AS, PB50A, and PB50AS Sectional Diagram





Paving Breaker Models PB35A, PB35AS, PB50A, and PB50AS Parts List

Ref. No.	Part Description	PB35A 51296358	PB35AS 51357176	PB50A- STD 52085552	PB50A- OPT-A 52085560	PB50AS- STD 52085578	Remarks
1	Handle Sleeve (2)	51299212	X	51952869	X	X	
2	Throttle Lever	51942175	X	X	X	X	Standard Flex Handle
3	Roll Pin	95034005	X	X	X	X	Inc. In Tune-up Kit
4	Washer (3)	51293041	X	X	X	X	Inc. In Tune-up Kit
5	Roll Pin	95098711	X	X	X	X	Inc. In Tune-up Kit
6	Oiler Plate	--	--	51900975	X	X	Converter Kit (PB35A)
7	O-ring	--	--	95086211	X	X	Inc. In Tune-up Kit Converter Kit (PB35A)
8	Valve Chest	51291342	X	X	X	X	
9	Valve	NSS	X	X	X	X	Inc. In Tune-up Kit
10	Valve Cover	51291359	X	X	X	X	
11	Breaker Housing	NSS	X	X	X	X	Not Sold Separately
12	* Retaining Bushing	NSS	X	X	X	X	Not Sold Separately
13	* Piston Seat	NSS	X	X	X	X	Not Sold Separately
14	* Pipe Plug	95078655	X	X	X	X	
15	* Pipe Plug	95033353	X	X	X	X	
16	* Pipe Plug	95033361	X	X	X	X	
17	Piston	51376499	X	51381242	X	X	
18	Bolt	95105482	X	51356947	X	X	
19	Nut	95322541	X	95227112	X	X	
20	Fronthead	51919728	X	51917532	X	X	
21	Fronthead Bushing	51291425	X	51306967	51307387	51306967	
22	Steel Retaining Lever	NSS	X	X	X	X	Inc. Steel Retainer Kit
23	Spring	51952836	X	X	X	X	Inc. Steel Retainer Kit
24	Steel Ret. Lever Plunger	50019728	X	X	X	X	Inc. Steel Retainer Kit
25	Roll Pin Kit	51792794	X	51792802	X	X	Inc. Steel Retainer Kit
26	Roll Pin	NSS	X	X	X	X	Not Sold Separately
27	Roll Pin	NSS	X	X	X	X	Not Sold Separately
28	Connection	51361855	X	51609295	X	X	
29	O-ring	95086161	X	X	X	X	Inc. In Tune-up Kit
30	Air Connection Cap	51361798	X	X	X	X	
31	O-ring	95086112	X	X	X	X	Inc. In Tune-up Kit
32	Spring	50250539	X	X	X	X	Inc. In Tune-up Kit
33	Valve Assembly	51719615	X	X	X	X	Inc. In Tune-up Kit
34	* Valve	NSS	X	X	X	X	Not Sold Separately
35	* O-ring	NSS	X	X	X	X	Inc. In Tune-up Kit
36	Throttle Pin	51716975	X	X	X	X	Std. Inc. In Tune-up Kit Flex Handle Inc. In Tune-up Kit
37	Washer	51948016	X	51369171	X	X	
38	Housing Plug	51291375	X	51900736	X	X	Converter Kit (PB35A)
39	Filter	--	--	51905156	X	X	Converter Kit (PB35A)
40	O-ring	--	--	95097754	X	X	Converter Kit (PB35A)
41	Oiler Fill Plug	--	--	51919173	X	X	Converter Kit (PB35A)
42	Washer (16)	--	95064655	--	--	95064655	Inc. In Muffler Kit
43	Nut (8)	--	95467924	--	--	95467924	Inc. In Muffler Kit
44	Screw (6)	--	95838926	--	--	95838926	Inc. In Muffler Kit
45	Screw (2)	--	95673992	--	--	95673992	Inc. In Muffler Kit
46	Right Side Muffler	NSS	X	X	X	X	Inc. In Muffler Kit
47	Left Side Muffler	NSS	X	X	X	X	Inc. In Muffler Kit
	Options						
	Fronthead Assembly	51303956	X	51307361	51307379	51307361	
	Lubricator	35364322	X	X	X	X	
	Available Kits (Furnished Only When Specially Ordered)						
	Tune-up Kit	51310498	X	X	X	X	
	Steel Retainer Kit	51310506	X	51358281	X	X	
	Muffler Kit	-	51362648	--	--	X	
	Converter Kit PB35A can be converted to use the new style oiler using this Oil Kit.	51955573	X	--	--	--	

-- Blank
X Same as the number to the left
NSS Not Sold Separately

Paving Breaker Models PB35A, PB35AS, PB50A, and PB50AS Parts List (Continued)

Ref. No.	Part Description	PB50AS- OPT-A 52085586	PB50AS- OPT-B 52085594	PB50A- STD-F 2085602	PB50A- OPT-AF 52085610	PB50AS- STD-F 52085628	PB50AS- OPT-AF 52085636	Remarks	
1	Handle Sleeve (2)	51952869	X	--	--	--	--		
2	Throttle Lever	51942175	X	--	--	--	--	Standard Flex Handle	
3	Roll Pin	95034005	X	X	X	X	X	Inc. In Tune-up Kit	
4	Washer (3)	51293041	X	X	X	X	X	Inc. In Tune-up Kit	
5	Roll Pin	95098711	X	X	X	X	X	Inc. In Tune-up Kit	
6	Oiler Plate	51900975	X	X	X	X	X	Converter Kit (PB35A)	
7	O-ring	95086211	X	X	X	X	X	Inc. In Tune-up Kit Converter Kit (PB35A)	
8	Valve Chest	51291342	X	X	X	X	X		
9	Valve	NSS	X	X	X	X	X	Inc. In Tune-up Kit	
10	Valve Cover	51291359	X	X	X	X	X		
11	Breaker Housing	NSS	X	X	X	X	X	Not Sold Separately	
12	* Retaining Bushing	NSS	X	X	X	X	X	Not Sold Separately	
13	* Piston Seat	NSS	X	X	X	X	X	Not Sold Separately	
14	* Pipe Plug	95078655	X	X	X	X	X		
15	* Pipe Plug	95033353	X	X	X	X	X		
16	* Pipe Plug	95033361	X	X	X	X	X		
17	Piston	51381242	517277105	51381242	X	X	X		
18	Bolt	51356947	X	X	X	X	X		
19	Nut	95227112	X	X	X	X	X		
20	Fronthead	51917532	51716959	51917532	X	X	X		
21	Fronthead Bushing	51307387	--	51306957	51307387	51306967	51307387		
22	Steel Retaining Lever	NSS	X	X	X	X	X	Inc. Steel Retainer Kit	
23	Spring	51952836	X	X	X	X	X	Inc. Steel Retainer Kit	
24	Steel Ret. Lever Plunger	50019728	X	X	X	X	X	Inc. Steel Retainer Kit	
	Roll Pin Kit	51792802	X	X	X	X	X	Inc. Steel Retainer Kit	
25	Roll Pin	NSS	X	X	X	X	X	Not Sold Separately	
26	Roll Pin	NSS	X	X	X	X	X	Not Sold Separately	
27	Connection	51609295	X	X	X	X	X		
28	O-ring	95086161	X	X	X	X	X	Inc. In Tune-up Kit	
29	Air Connection Cap	51361798	X	X	X	X	X		
30	O-ring	95086112	X	X	X	X	X	Inc. In Tune-up Kit	
31	Spring	50250539	X	X	X	X	X	Inc. In Tune-up Kit	
	Valve Assembly	51719615	X	X	X	X	X	Inc. In Tune-up Kit	
32	* Valve	NSS	X	X	X	X	X	Not Sold Separately	
33	* O-ring	NSS	X	X	X	X	X	Inc. In Tune-up Kit	
34	Throttle Pin	51716975	X	51716983	X	X	X	Std. Inc. In Tune-up Kit Flex Handle Inc. In Tune-up Kit	
35	Washer	51369171	X	X	X	X	X		
37	Housing Plug	51900736	X	X	X	X	X	Converter Kit (PB35A)	
38	Filter	51905156	X	X	X	X	X	Converter Kit (PB35A)	
39	O-ring	95097754	X	X	X	X	X	Converter Kit (PB35A)	
40	Oiler Fill Plug	51919173	X	X	X	X	X	Converter Kit (PB35A)	
41	Washer (16)	95064655	X	--	--	95064655	X	Inc. In Muffler Kit	
42	Nut (8)	95467924	X	--	--	95467924	X	Inc. In Muffler Kit	
43	Screw (6)	95838926	X	--	--	95838926	X	Inc. In Muffler Kit	
44	Screw (2)	95673992	X	--	--	95673992	X	Inc. In Muffler Kit	
45	Right Side Muffler	NSS	X	X	X	X	X	Inc. In Muffler Kit	
46	Left Side Muffler	NSS	X	X	X	X	X	Inc. In Muffler Kit	
47	Flex Handle (2)	--	--	52084936	X	X	X	Flex Handle Option	
48	Flex Handle Stud (2)	--	--	51913440	X	X	X	Flex Handle Option	
49	Handle Grip	--	--	52084902	X	X	X	Flex Handle Option	
50	Washer	--	--	51948016	X	X	X	Flex Handle Option	
51	Nut	--	--	95914404	X	X	X	Flex Handle Option	
52	Handle	--	--	52082658	X	X	X	Flex Handle Option	
53	Bushing	--	--	52091105	X	X	X	Flex Handle Option	
54	Retaining Ring	--	--	95955829	X	X	X	Flex Handle Option	
	Options								
	Fronthead Assembly	51307379	51716959	51307361	51307379	51307361	51307379		
	Lubricator	35364322	X	X	X	X	X		
	Available Kits (Furnished only when specially ordered).								
	Tune-up Kit	51310498	X	X	X	X	X		
	Steel Retainer Kit	51358281	X	X	X	X	X		
	Muffler Kit	51362648	X	--	--	X	X		

-- Blank
X Same as the number to the left
NSS Not Sold Separately

Lubrication for all Models (Furnished only when specially ordered).

1 Gal.	51378701	Rock Drill Oil (Light)
5 Gal.	51378727	Rock Drill Oil (Light)
55 Gal.	51378743	Rock Drill Oil (Light)
1 Gal.	51378693	Rock Drill Oil (Medium)
5 Gal.	51378719	Rock Drill Oil (Medium)
55 Gal.	51378735	Rock Drill Oil (Medium)

Paving Breaker combinations for PB35A and PB35AS.

The following lists the model and part number for all PB35A and PB35AS Paving Breakers combinations:

NOTICE

The PB35 series breakers Do Not have a built oil reservoir. They are lubricated by using a constant feed air line lubricator.

Standard:

1. PB35A-STD (51296358). This Paving Breaker includes a fronthead bushing which accommodates a 1 in. Hex. x 4-1/4 in. long (25 mm Hex. x 108 mm long) paving breaker Shank.
 2. PB35AS-STD (51357176). This Paving Breaker includes a fronthead bushing which accommodates a 1 in. Hex. x 4-1/4 in. long (25 mm Hex. x 108 mm long) Paving Breaker Shank, and also includes a muffler.
-

Paving Breaker combinations for PB50A and PB50AS.

The following lists the model and part number for all PB50A and PB50AS Paving Breakers combinations:

1) Standard:

- a. PB50A-STD (52085552). This Paving Breaker includes a fronthead bushing which accommodates a 1-1/4 in. Hex. x 6 in. long (28 mm Hex. x 152 mm long) Paving Breaker Shank.
- b. PB50A-STD-F (52085602). This Paving Breaker includes flex handles and a fronthead bushing which accommodates a 1-1/4 in. Hex. x 6 in. long (28 mm Hex. x 152 mm long) Paving Breaker Shank.
- c. PB50AS-STD (52085578). This Paving Breaker includes a fronthead bushing which accommodates a 1-1/4 in. Hex. x 6 in. long (28 mm Hex. x 152 mm long) Paving Breaker Shank, and also includes a muffler.
- d. PB50AS-STD-F (52085628). This Paving Breaker includes flex handles and a fronthead bushing which accommodates a 1-1/4 in. Hex. x 6 in. long (28 mm Hex. x 152 mm long) Paving Breaker Shank, also includes a muffler.

2) Optional:

- a. PB50A-OPT-A (52085560). This Paving Breaker includes a fronthead bushing which accommodates a 1-1/8 in. Hex. x 6 in. long (32 mm Hex. x 152 mm long) Paving Breaker Shank.
 - b. PB50A-OPT-AF (52085610). This Paving Breaker includes flex handles and a fronthead bushing which accommodates a 1-1/8 in. Hex. x 6 in. long (32 mm Hex. x 152 mm long) Paving Breaker Shank.
 - c. PB50AS-OPT-A (52085586). This Paving Breaker includes a fronthead bushing which accommodates a 1-1/8 in. Hex. x 6 in. long (32 mm Hex. x 152 mm long) Paving Breaker shank, and also includes a muffler.
 - d. PB50AS-OPT-AF (52085636). This Paving Breaker includes flex handles and a fronthead bushing which accommodates a 1-1/8 in. Hex. x 6 in. long (32 mm Hex. x 152 mm long) Paving Breaker Shank, and also includes a muffler.
 - e. PB50AS-OPT-B (52085594). This Paving Breaker includes a fronthead which accommodates a 1 in. Hex. x 4-1/4 in. long (25 mm Hex. x 108 mm long) Paving Breaker Shank, and also includes a muffler.
 - f. PB50AS-OPT-BF (51940450). This Paving Breaker includes a flex handle and a fronthead which accommodates a 1 in. hex x 4-1/4 in. long (25 mm hex x 108 mm long) paving breaker Shank and includes a muffler.
-

Optional Muffler Kit

An add-on muffler kit (for paving breakers without a muffler) is available and will be furnished when specially ordered. The muffler reduces Paving Breaker noise levels without hindering breaker performance. Refer to Parts List for part numbers of the available muffler kits.

Parts and Maintenance

When the life of the tool has expired, it is recommended that the tool be disassembled, degreased and parts be separated by material so that they can be recycled.

Tool repair and maintenance should only be carried out by an authorized Service Centre.

Refer all communications to the nearest **Ingersoll Rand** Office or Distributor.

Related Documentation

For additional information refer to:

Paving Breaker Product Safety Information Manual 04581450.

Paving Breaker Wrench Product Information Manual 51956043.

Paving Breaker Maintenance Information Manual 51990497.

Manuals can be downloaded from www.irtools.com.

Notes:

www.irttools.com

© 2008 **Ingersoll Rand** Company

