



16574295
Edition 1
November 2006

Air Percussive Digger

93 and 95 Series

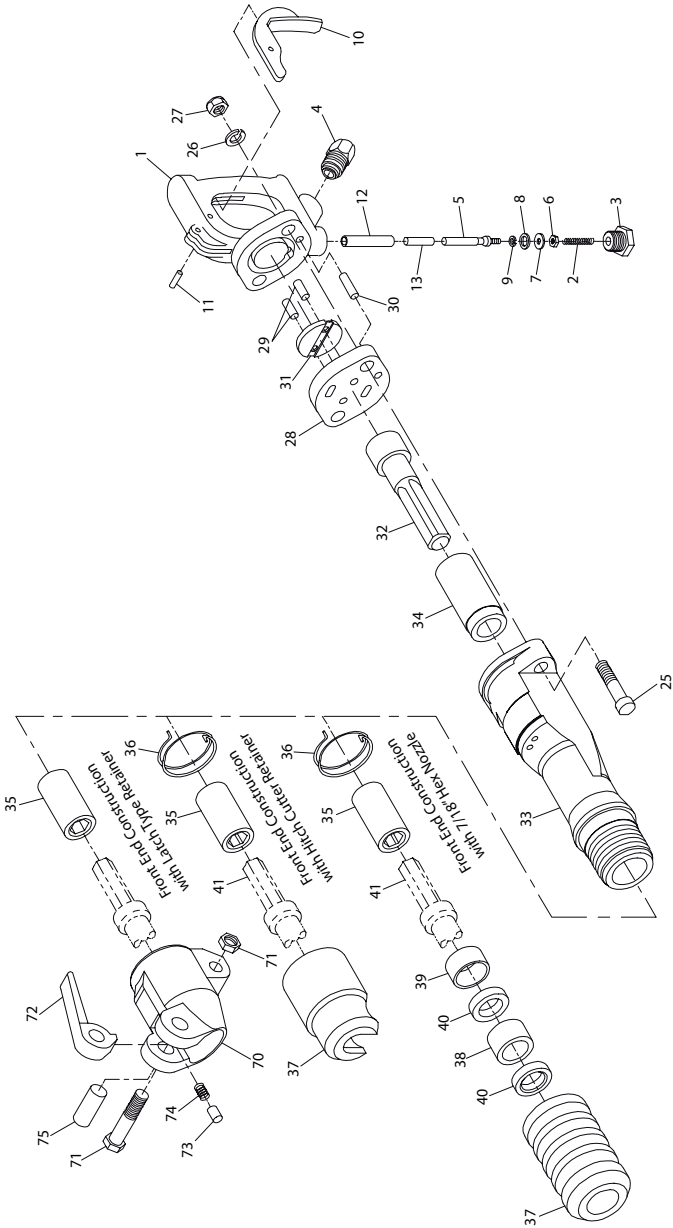
Parts Information



Save These Instructions

 **Ingersoll Rand**

93 and 95 Series Air Percussive Digger Exploded Diagram



(Dwg. TPA762-4)

93 and 95 Series Air Percussive Digger Parts List

Item	Part Description	Part Number	
		93A1, 93A4, 93LA1	95A1, 95LA1, 95LA3
1	Inside Trigger Handle Assembly		
	for models ending in -EU	7500-EU-92	7500-EU-92
	for all other models	7500-92	7500-92
*	Warning Label		
	for models ending in -EU	EU-99	EU-99
	for all other models	WARNING-6-99	WARNING-6-99
2	Throttle Valve Spring	H80-11	H80-11
3	Throttle Valve Cap	7500-109	7500-109
4	Inlet Bushing (1/2" to 3/8")	H80-82A	H80-82
• 5	Throttle Valve	8000-50	8000-50
6	Throttle Valve Face Cap Nut	73H-158	73H-158
7	Throttle Valve Face Cap	8000-157	8000-157
8	Throttle Valve Face	8000-159A	8000-159A
9	Throttle Valve Face Lock Washer	H54U-352	H54U-352
10	Throttle Lever	97MP-18	97MP-18
11	Throttle Lever Pin	135R-265	135R-265
12	Throttle Valve Bushing	7500-65	7500-65
13	Throttle Valve Plunger	7500-64	7500-64
25	Handle Bolt (2)	A-9	A-9
26	Handle Bolt Lock Washer (2)	H80-67	H80-67
27	Handle Bolt Nut (2)	H3R-8	H3R-8
28	Valve Box	75H-41	75H-41
29	Valve Dowel (2)	73H-45	73H-45
30	Valve Box Dowel	73H-21	73H-21
31	Valve	335R-40	335R-40
• † 32	Piston	93H-200	95H-200
33	Barrel Assembly		
	with 7/8" hex Nozzle	93H-AH100	95H-AH100
	with 1" hex Nozzle (used with Latch-Type Retainer only)	93H-AH100-1	95H-AH100-1
34	Barrel Bushing	73H-101	95H-101
† 35	Nozzle		
	7/8" hex	73H-86	73H-86
	1" hex (95LA3)	---	93H-186
	3/4" square	73H-84	73H-84
• 36	Sleeve Locking Spring	97MP-48A	97MP-48A
37	Retaining Sleeve (for 7/8" hex Nozzle only)		
	Standard Type	93H-22	93H-22
	Hitch Cutter Type	273H-22	273H-22
• 38	Buffer	93H-50	93H-50
39	Buffer Spacer	93H-31	93H-31
40	Buffer Washer (2) for accessories		
	with hex shanks	93H-331	93H-331
	with square shanks	93H-431	93H-431
41	Accessory (Ingersoll Rand offers a complete line of Chisels, Flat Picks, Spades etc. Inquire at nearest Office for type and price.)	---	---

* Not Illustrated.

• To keep downtime to a minimum, it is desirable to have on hand certain repair parts. We recommend that you stock one (pair or set) of each part indicated by a bullet (•) for every four tools in service.

† Refer to OVERSIZE PARTS on page 16 before ordering.

Latch-Type Retainer Parts List

Item	Part Description	Part Number	
		93A1, 93A4, 93LA1	95A1, 95LA1, 95LA3
+	Fronthead Assembly for accessories with 1-3/8", 1-1/2", or 1-5/8" diameter collar (35, 38, or 41 mm)		
	for tools with 7/8" hex X 3-1/4" Nozzle	95L-A240	95L-A240
	for tools with 1" hex X 4-1/4" Nozzle (95LA3)	---	95L-A340
70	Fronthead		
	for tools with 7/8" hex X 3-1/4" Nozzle	95L-240	95L-240
	for tools with 1" hex X 4-1/4" Nozzle (95LA3)	---	95L-340
71	Fronthead Pinch Bolt	21-342	21-342
*	Pinch Bolt Nut (ESNA # 29NE-083 Stop Nut)	D02-904	D02-904
72	Retaining Lever	95L-341	95L-341
73	Retaining Lever Plunger	73L-245	73L-245
74	Retaining Lever Plunger Spring	95L-246	95L-246
75	Retaining Lever Pin	95L-342	95L-342

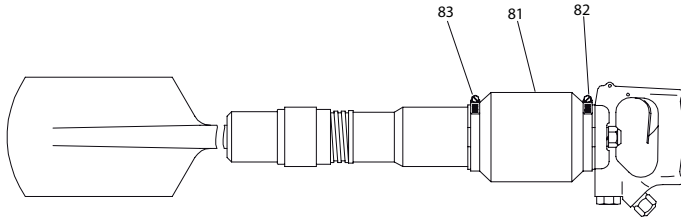
* Not illustrated.

+ Complete assemblies are interchangeable with discontinued 93L-A140 and 93L-A240; however, component parts differ from those in the previous models and are not interchangeable. New Frontheads are stamped 95L-240 or 95L-340 for positive identification.

Oversize Parts List

Item	Part Description	Part Number	
		93A1, 93A4, 93LA1	95A1, 95LA1, 95LA3
32	Oversize Piston		
	0.010" oversize	93H-200-10	95H-200-10
35	Oversize Nozzle; 1" Hexagon (95LA3)		
	0.001" oversize	---	93H-186-10
	0.002" oversize	---	93H-186-20

Muffler Diagram

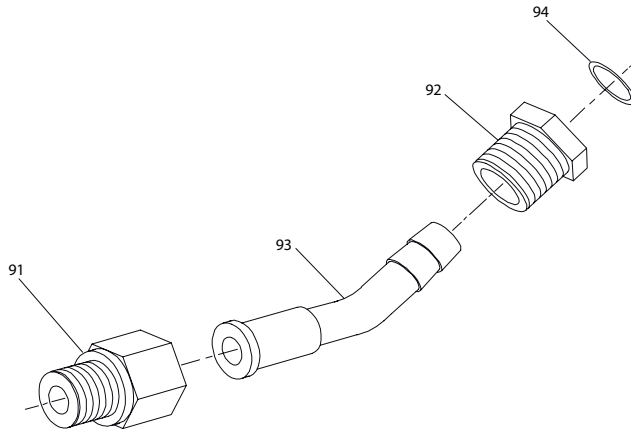


(Dwg. TPD431)

Muffler Parts List

Item	Part Description	Part Number	
		93A1, 93A4, 93LA1	95A1, 95LA1, 95LA3
	Muffler Kit	93H-K674	95H-K674
81	Muffler (2)	73H-674	75H-674
82	Large Clamp	59H-675	59H-675
83	Small Clamp	HHW1-676	HHW1-675

Swivel Inlet Assembly Exploded Diagram



(Dwg. TPD931)

Swivel Inlet Assembly Parts List

Item	Part Description	Part Number
	Swivel Inlet Assembly	HH1-A165
91	Reducing Bushing	HH1-165
92	Swivel Inlet Sleeve	HH1-166
93	Swivel Inlet Nipple	HH1-167
94	O-Ring	R00BR-210

Parts and Maintenance

When the life of the tool has expired, it is recommended that the tool be disassembled, degreased and parts be separated by material so that they can be recycled.

Tool repair and maintenance should only be carried out by an authorized Service Center.

Refer all communications to the nearest **Ingersoll Rand** Office or Distributor.

Related Documentation

For additional information refer to:

Product Safety Information Manual 04581450.

Product Information Manual 16574139.

Maintenance Information Manual 16574212.

Manuals can be downloaded from www.irtools.com.

www.irttools.com

© 2006 **Ingersoll Rand** Company

