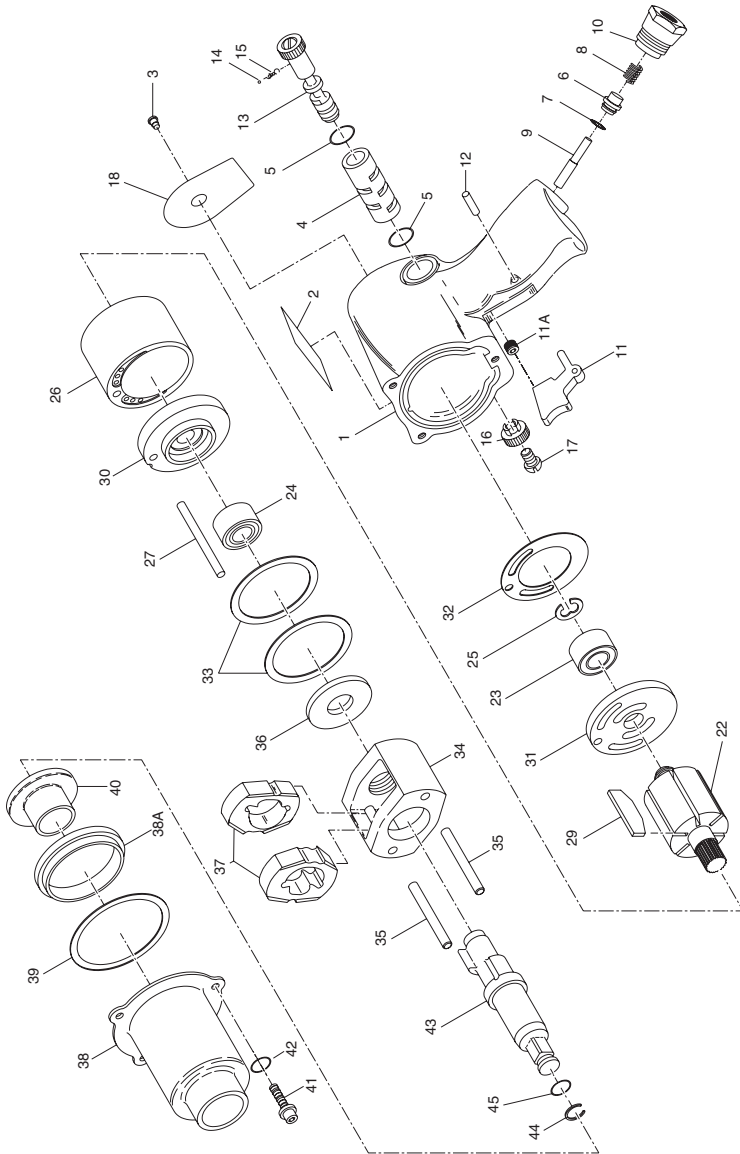


231C and 231C-2 Air Impact Wrench Exploded Diagram



(Dwg. TPA567-11)

231C and 231C-2 Air Impact Wrench Parts List

Item	Part Description	Part Number	Item	Part Description	Part Number
1	Motor Housing	231C-A40	32	End Plate Gasket	231-283
2	Warning Label	WARNING-2-99	33	Motor Clamp Washer (2)	227-207
3	Grease Fitting	130SR-188	34	Hammer Frame Assembly	231XP-A703
4	Reverse Valve Bushing	231-A330	35	Hammer Pin (2)	231-704
5	Reverse Valve Bushing Seal (2)	PS3-67	36	Hammer Frame Rear Washer	231-706
6	Throttle Valve Assembly	404-50A	37	Hammer (2)	231XP-724
7	Throttle Valve Face	405-159	38	Hammer Case Assembly	131-A727-70
8	Throttle Valve Spring	R1A-51	38A	Hammer Case Pilot	405-800
9	Throttle Valve Stem	402-302	39	Hammer Case Gasket	230-36
10	Air Strainer Assembly	402-565	40	Hammer Case Bushing	705-941
11	Trigger	705-93	41	Hammer Case Cap Screw (3)	131-638
11a	Plug	502-95	42	Hammer Case Lock Washer (3)	131-637
12	Trigger Pin	533-656	43	Anvil Assembly	
13	Reverse Valve	231-329A		Length	231B-A626
14	Reverse Valve Detent Ball	AV1-255		For 231-2 (2' Extended Length)	231B-A414
15	Reverse Valve Detent Spring	231-664	V44	Socket Retainer	231-425A
16	Reverse Valve Knob	231-666	45	Retainer O-Ring	R1A-159
17	Reverse Valve Knob Screw	231-665	*	Tube of Grease	405-MG1
18	Nameplate	231-301	*	Lube Injector	230-228
22	Rotor	231-53	*	Bottle of Oil	405-M01
23	Rear Rotor Bearing	402-22	*	Plastic Boot	231-P32
24	Front Rotor Bearing	4U-97			
25	Rear Rotor Bearing Retainer	402-118			
26	Cylinder	231XP-3			
27	Cylinder Dowel	230-98	*		
29	Vane Packet (Set of 6 Vanes)	2131-42-6			
30	Front End Plate	231-11			
31	Rear End Plate	231-12			
				Tune-Up Kit (includes illustrated parts 5 (2), 7, 8, 14, 15, 23, 24, 25, 29, 32, 44, 45 and non-illustrated part R1-75.	231-TK3
				Hammer Kit (includes illustrated parts 24, 37 (2), 39, 41 (3), 42 (3) and 43)	
				For 231 (Standard Length)	231B-THK1
				For 231-2 (2' Extended Length)	231B-THK2

* Not Illustrated.

Parts and Maintenance

When the life of the tool has expired, it is recommended that the tool be disassembled, degreased and parts be separated by material so that they can be recycled.

Tool repair and maintenance should only be carried out by an authorized Service Center. Refer all communications to the nearest **Ingersoll-Rand** Office or Distributor.

Related Documentation

For additional information refer to:
 Air Impact Wrench Product Safety Information Manual 04580916,
 Air Impact Wrench Product Information Manual 04584819.

Manuals can be downloaded from www.irtools.com.



www.irtools.com

© 2004 Ingersoll-Rand Company

Form 04584546

Edition 1

November 2004