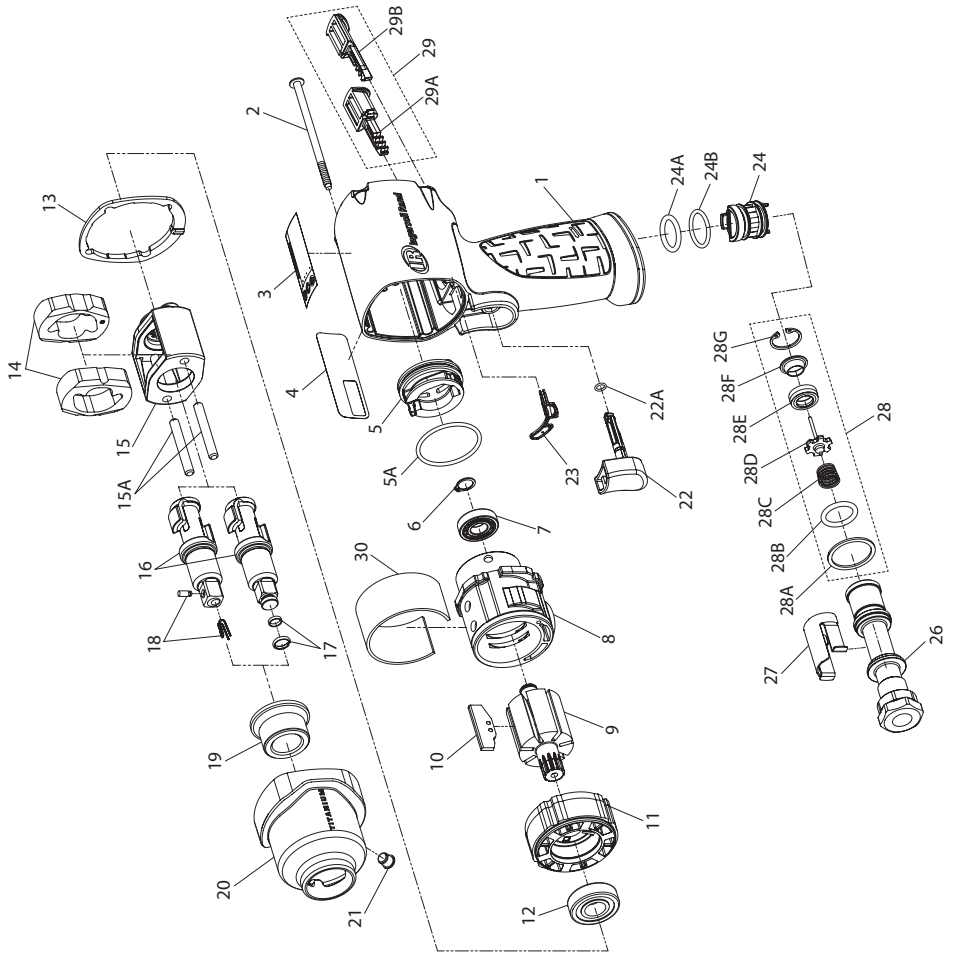


2115TiMAX and 2125TiMAX Series Air Impactool™ Exploded Diagram



(Dwg. 45588175)

2115TiMAX and 2125TiMAX Series Air Impactool™ Parts List

Item	Part Description	Part Number	Item	Part Description	Part Number
*	Housing Assembly (2115TiMAX)	2115TiMAX-A40	19	Bushing, Hammer Case	2112-641
*	Housing Assembly (2115QTiMAX)	2115QTiMAX-A40	*	Hammer Case Assembly	2115TiMAX-D727
*	Housing Assembly (2125QTiMAX)	2125QTiMAX-A40	19	Bushing, Hammer Case	---
*	Housing Assembly (2115PTiMAX)	2115PTiMAX-A40	20	Hammer Case	---
*	Housing Assembly (2125PTiMAX)	2125PTiMAX-A40	21	Grease Fitting	---
1	Housing	---	21	Grease Fitting	1305R-188
3	Warning Label	---	†*	Trigger Assembly	2135-D93B
4	Information Label	---	22	Trigger	---
23	Gasket	---	22A	O-Ring, Trigger	---
24	Reverse Valve Assembly	---	† 23	Gasket, Motor	2112-283
29	Button Kit	---	*	Reverse Valve Assembly	2131-A329
2	Screw, Hammer Case (4 required)	2115-638	24	Reverse Valve Assembly	---
4	Information Label (2115TiMAX)	2115TiMAX-300	24A	O-Ring, Reverse Valve (Top-Black)	---
4	Information Label (2115QTiMAX)	2115QTiMAX-300	24B	O-Ring, Reverse Valve (Bottom-Blue)	---
4	Information Label (2125QTiMAX)	2125QTiMAX-300	26	Inlet Bushing Assembly (incl. 27, 28)	2135-D565A
4	Information Label (2115PTiMAX)	2115PTiMAX-300	27	Inlet Clip	2131-57
4	Information Label (2125PTiMAX)	2125PTiMAX-300	28	Inlet Parts Kit	2135-K303
3	Warning Label	WARNING-2-99	28A	Washer	---
*	Power Regulator Assembly	2115-D249A	28B	O-Ring, Seal	---
5	Power Regulator	---	28C	Throttle Spring	---
5A	O-Ring, Power Regulator	---	28D	Throttle Valve	---
6	Retaining Ring	4E-6	28E	Valve Seat	---
7	Ball Bearing (Cylinder)	R00H-97	28F	Seat Support	---
8	Cylinder	2112-3	28G	Retainer	---
9	Rotor	2115-53	29	Button Kit	2115-K75RD
† 10	Vane Pack (set of 7)	2115-42A-7	29A	Forward Button	---
11	End Plate	2112-11	29B	Reverse Button	---
12	Ball Bearing (End Plate)	2131-97	30	Exhaust Silencer (Quiet Technology Equipped Models Only)	2115Q-311
† 13	Hammer Case Gasket	2115-36	*	Tune-Up Kit	2115-TK2
*	Hammer Mechanism Kit	2115-THK2	5A	O-Ring, Power Regulator	---
14	Hammer (2)	---	6	Retaining Ring	---
15	Hammer Frame	---	7	Ball Bearing (Cylinder)	---
15A	Hammer Pin (2)	---	12	Ball Bearing (End Plate)	---
*	Anvil Assembly (2115TiMAX, 2115QTiMAX)	2112-A626	10	Vane Pack (set of 7)	---
*	Anvil Assembly (2125QTiMAX)	2112-A726	13	Hammer Case Gasket	---
*	Anvil Assembly (2115PTiMAX)	2112P-A626	22A	O-Ring, Trigger	---
*	Anvil Assembly (2125PTiMAX)	2112P-A726	23	Gasket, Motor	---
16	Anvil	---	24A	O-Ring, Reverse Valve (Top-Black)	---
	Socket Retainer Kit	---	24B	O-Ring, Reverse Valve (Bottom-Blue)	---
† 17	Socket Retainer Kit (3/8" Ring-type) (2115TiMAX, 2115QTiMAX)	2115-K425	28	Inlet Parts Kit	---
† 17	Socket Retainer Kit (1/2" Ring-type) (2125QTiMAX)	2125QTi-K425	*	Kit, Piped-Away Exhaust	2115-K284
	O-Ring	---	*	Inlet Clip Removal Tool	2131-322
	Socket Retainer	---	†*	Air Care Kit (Grease Gun, Grease, Oil)	115-LBK1
† 18	Socket Retainer Kit (3/8" Pin-type) (2115PTiMAX)	2115PTi-K425	*	Grease (replacement tube for -LBK1)	115-4T
† 18	Socket Retainer Kit (1/2" Pin-type) (2125PTiMAX)	2125PTi-K425	*	Air Tool Oil (4 oz. Bottle)	1024
	Retainer Spring	---	*	Grease (1 lb Can)	105-1LB
	Socket Retainer Pin	---	*	Grease (8 lb Can)	105-8LB
			*	Grease Gun	R000A2-228

* Not illustrated.

† To keep downtime to a minimum, it is desirable to have certain repair parts on hand. We recommend that you stock one (pair or set) of each part indicated by a (†) for every four tools in service.

Parts and Maintenance

When the life of the tool has expired, it is recommended that the tool be disassembled, degreased and parts be separated by material so that they can be recycled.

Tool repair and maintenance should only be carried out by an authorized Service Center.

Refer all communications to the nearest **Ingersoll Rand** Office or Distributor.

Related Documentation

For additional information refer to:
 Safety Information Manual 04580916.
 Product Information Manual 45585155.

Manuals can be downloaded from www.irtools.com.

