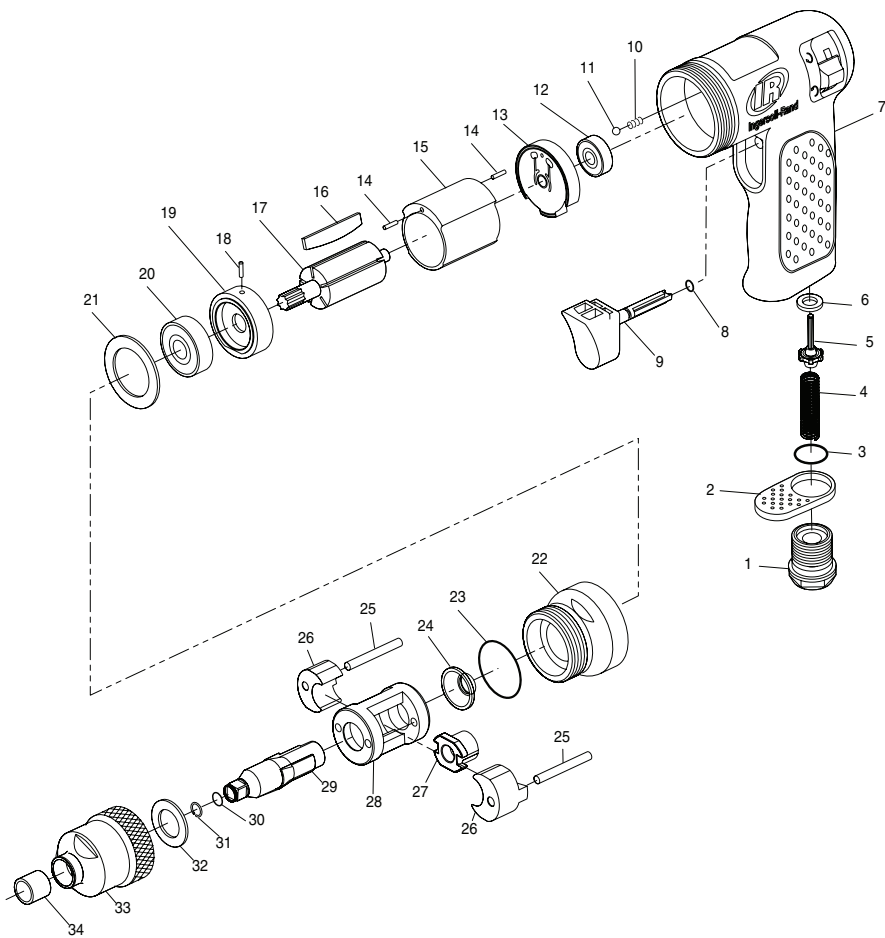


# 2101 1/4" Impact Wrench Exploded Diagram



(Dwg. 16591562)

## 2101 1/4" Impact Wrench Parts List

Item	Part Description	Part Number	Item	Part Description	Part Number
1	Inlet Bushing with Screen	3103-A465	19	Front Plate	2101-11
2	Deflector	3103-23	20	Ball Bearing	3103-24
3	O-Ring	3103-65	21	Washer	2101-248
4	Valve Spring	3103-51	22	Clamp Nut	2101-27
5	Valve	3103-302	23	O-ring	2101-65
6	Valve Seat	3103-303	24	Rear Washer	2101-248
7	Motor Housing Assembly	2101-A40	25	Hammer Pin (2)	2101-704-2
8	O-ring	3103-65A	26	Hammer Dogs (2)	2101-724-2
9	Trigger	3103-93	27	Cam	2101-721
10	Spring	7804-250	28	Hammer Cage	2101-703
11	Steel Ball	7804-722	29	1/4" Sqaure Anvil	2101-314
12	Ball Bearing	7804-105	30	O-ring	2101-65A
13	Rear Plate	7804-12	31	Socket O-ring	2101-65B
14	Roll Pin (2)	3103-120-2	32	Washer	2101-248A
15	Cylinder	7804-3	33	Hammer Case Assembly	2101-A727
16	Rotor Blade (5)	3103-42-5	34	Anvil Bushing	2101-330
17	Rotor	2101-53	*	Name Plate	2101-301
18	Roll Pin	3103-15	*	Warning Label	2101-99

\* Not illustrated

When the life of the tool has expired, it is recommended that the tool be disassembled, degreased and parts be separated by material so that they can be recycled.

Tool repair and maintenance should only be carried out by an authorized Service Center.  
Refer all communications to the nearest **Ingersoll-Rand** Office or Distributor.

### Related Documentation

For additional information refer to:  
Product Safety Information Manual 04580916, Product Information Manual 80181696.

Manuals can be downloaded from [www.irtools.com](http://www.irtools.com).



[www.irtools.com](http://www.irtools.com)

© 2005 Ingersoll-Rand Company

Form 80181704

Edition 1

November 2005