



16605644
Edition 1
October 2007

Air Percussive Rammer

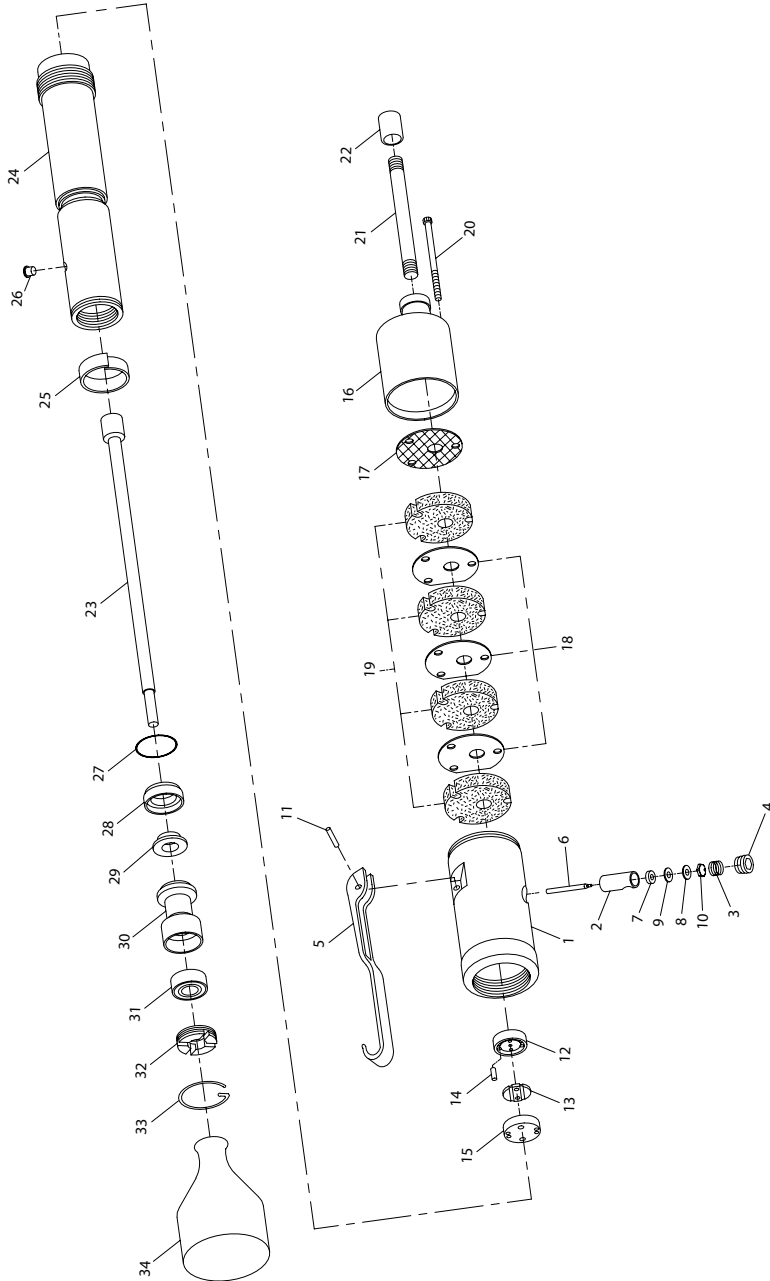
Models 130A1M and 241A1M

Parts Information



Save These Instructions

Model 130A1M Rammer Exploded Diagram



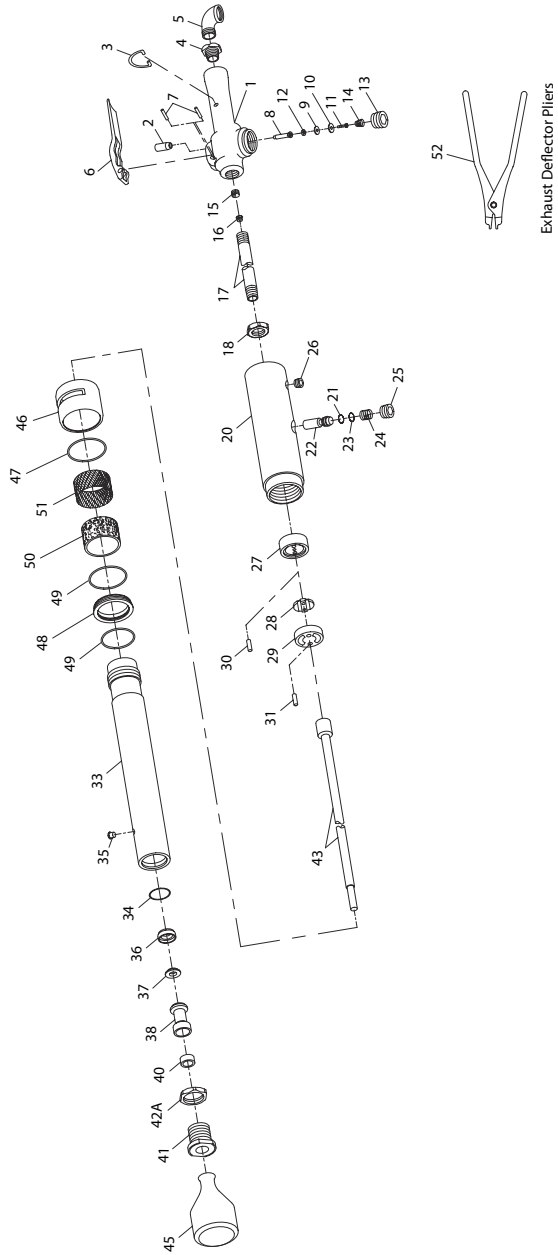
(Dwg. TPA620)

Model 130A1M Rammer Parts List

Item	Part Description	Part Number	Item	Part Description	Part Number
	Head Block Assembly for Built-in Muffler		20	Adapter Screw (3)	12E-354
	for 130A1M	130SR-A114	21	Pipe Nipple (1/4" x 4")	HUS-913
	for 130A1M-EU	130SR-EU-A114	22	Pipe Coupling (1/4")	140SR-117
	Warning Label		23	Piston	130SR-R20
	for 130A1M	WARNING-6-99	24	Barrel	130SR-R10
	for 130A1M-EU	EU-99	25	Barrel Clip	130SR-35
1	Head Block	130SR-114	26	Grease Fitting	130SR-188
2	Throttle Valve Bushing	130SR-503	27	Seal Support Gasket	MT4-210
3	Throttle Valve Spring	AR-51	28	Seal Support	130SR-28
4	Throttle Valve Cap	GA57-95	29	Rod Rear Seal	130SR-30
5	Throttle Lever	130SR-263	30	Piston Rod Guide	130SR-32
6	Throttle Valve	130SR-302	31	Rod Front Seal	130SR-31
7	Throttle Valve Face Washer	130SR-156	32	Guide Retainer	130SR-33
8	Throttle Valve Face Cap	R38-157	33	Guide Retainer Lock	130SR-34
9	Throttle Valve Face	R38-159	34	Malleable Butt (2-1/2" diameter)	12SR-83
10	Throttle Valve Face Cap Nut	AVC11-158	*	Male Hose Nipple (3/8" hose to 1/4" male pipe)	D01-14
11	Throttle Lever Pin	D01-368			
12	Valve Box Cap	14SR-43	*	Rubber Tipped Butt (2-3/8" diameter)	14SR-83R-2 3/8
13	Valve	14SR-40		Rubber Tip for Butt	14SR-84
14	Valve Box Dowel (4)	14SR-45	*	Rubber Tipped Peen (3/4" x 2-3/8")	14SR-93R
15	Valve Box	14SR-41	*	Rubber Topping-Off Butt (3-29/32" diameter) (solid rubber with steel insert)	14SR-83R-4
16	Piped-Away Exhaust Adapter	140SR-115			
17	Adapter Screen	140SR-122	*	Piston	
18	Adapter Baffle (3)	140SR-116		0.004" oversize	130SR-R20-4
19	Exhaust Silencer (4)	140SR-311		0.016" oversize	130SR-R20-16

* Not Illustrated

Model 241A1M Rammer Exploded Diagram



(Dwg. TPA117-10)

Model 241A1M Rammer Parts List

Item	Part Description	Part Number	Item	Part Description	Part Number
	Throttle Handle Assembly		27	Valve Box Cap	24SR-43
	for 241A1M	241SR-A160	28	Valve	24SR-40
	for 241A1M-EU	241SR-EU-A160	29	Valve Box	241SR-41
	Warning Label		30	Valve Box Cap Dowel (2)	33SR-45
	for 241A1M	WARNING-6-99	31	Valve Box Dowel (2)	D01-527
	for 241A1M-EU	EU-99	33	Barrel for Piston with Round Rod	241SR-R10
1	Throttle Handle Body	150SR-160	• 34	Seal Support Gasket	FMD2-198
2	Throttle Valve Bushing	150SR-503	35	Grease Fitting	130SR-188
3	Throttle Valve Lock Ring	2T-56	36	Seal Support	241SR-28
4	Reducing Bushing (1/2" to 3/8")	13SR-9	• 37	Rod Rear Seal	241SR-30
5	3/8" Street Elbow	12SR-8	38	Piston Rod Guide	241SR-A32A
6	Throttle Lever	33SR-163	• 40	Rod Front Seal	241SR-31
7	Throttle Lever Pin or Throttle Lever Stop Pin (2)	5040T-962	• 41	Guide Retainer	241SR-33A
			42	Locking Nut	241SR-17
8	Throttle Valve	150SR-302	43	Piston with Round Rod	
• 9	Throttle Valve Face	MT4-159		Standard Size	241SR-R20
10	Throttle Valve Face Cap	R4-157		0.004" Oversize	241SR-R20-4
11	Throttle Valve Face Retaining Screw	4U-359		0.008" Oversize	241SR-R20-8
				0.016" Oversize	241SR-R20-16
12	Retaining Screw Lock Washer	H54U-352	45	Malleable Butt 3" diameter	22SR-83-3 x 3/4
13	Throttle Valve Cap	DLC-165		Muffler Kit	241SR-K123
14	Throttle Valve Spring	150SR-262	46	Exhaust Deflector Assembly	241SR-A123
15	Screen Retaining Spring	241SR-5	47	Deflector Seal	C6H20A-104
16	Air Strainer Screen	434-61	48	Deflector Retainer Assembly	241SR-A124
17	Handle		49	Deflector Retainer Seal (2)	R10V-310
	Standard Length (19-1/2")	34SR-1A	50	Exhaust Silencer	241SR-311
	Extra Long (26")	341SR-201	51	Deflector Screen	241SR-122
18	Handle Lock Nut	241SR-118	52	Exhaust Deflector Pliers	34SR-54
20	Head Block	241SR-14	*	Rubber-Tipped Butt (3" diameter)	24SR-83R-3
• 21	Lubricator Valve Seat	R18L-14	*	Jumbo Rubber Topping off Butt (5" diameter)	24SR-83R-5
22	Lubricator Valve	241SR-101			
23	Lubricator Valve Face	R0AR-210			
24	Lubricator Valve Spring	24SR-106			
25	Lubricator Valve Cap	HH-266			
26	Oil Chamber Plug	R0H-377			

* Not illustrated.

• To keep downtime to a minimum, it is desirable to have on hand certain repair parts. We recommend that you stock one (pair or set) of each part indicated by a bullet (•) for every four tools in service.

Parts and Maintenance

When the life of the tool has expired, it is recommended that the tool be disassembled, degreased and parts be separated by material so that they can be recycled.

Tool repair and maintenance should only be carried out by an authorized Service Center.

Refer all communications to the nearest **Ingersoll Rand** Office or Distributor.

Related Documentation

For additional information refer to:

Product Safety Information Manual 04581450.

Product Information Manual 03539574.

Maintenance Information Manual 16605651.

Manuals can be downloaded from www.irtools.com.

Notes:

Notes:

www.irttools.com

© 2007 *Ingersoll Rand* Company

