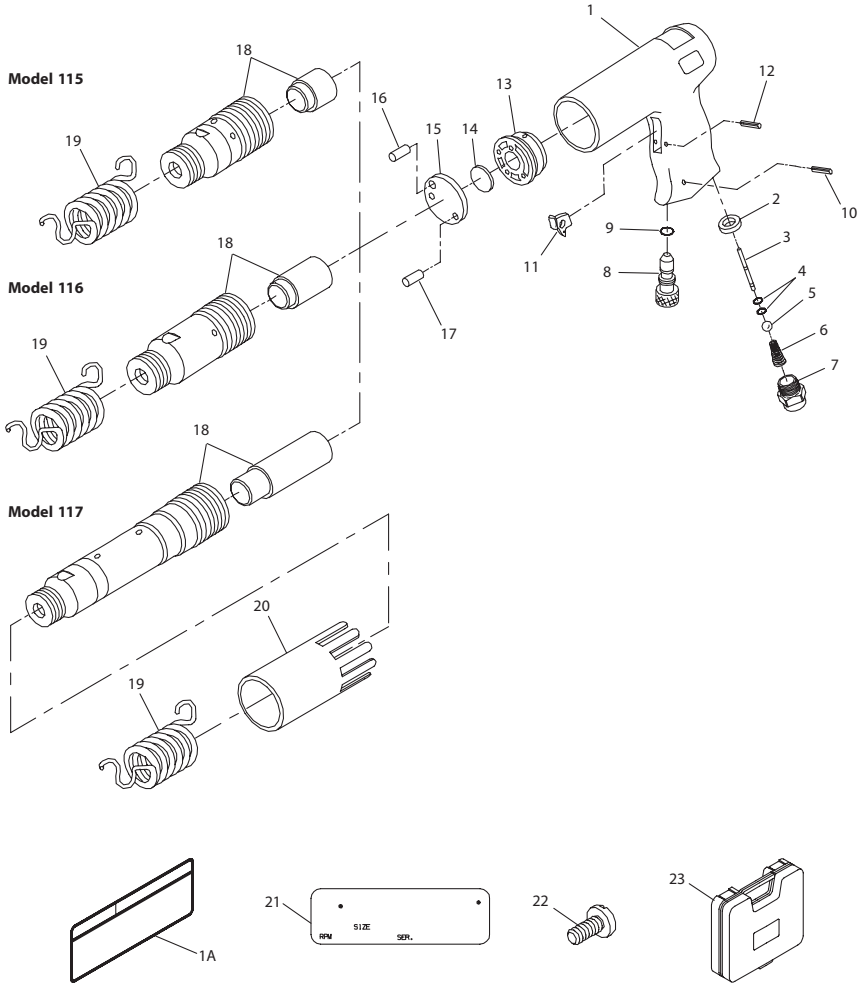


115, 116 and 117 Series Air Percussive Hammer Exploded View



(Dwg. TPC 589)

115, 116 and 117 Series Air Percussive Hammer Parts List

Item	Part Description	Part Number	Item	Part Description	Part Number	
1	Handle		19	Valve Cap Alignment Pin (small diameter)	115-32	
	for 115	115-59	18	Barrel Assembly (includes piston)		
	for 115-EU	115-EU-59			for 115	115-A6
	for 116, 116H, 117 and 117H	117-59			for 116	116-A6
	for 116-EU, 116H-EU,	117-EU-59			for 116H	116H-A6
117-EU and 117H-EU	for 117				117-A6	
1A	Warning Label			for 117H	117H-A6	
	for models ending in-EU	EU-99	19	Spring Retainer	115-183	
	All Other Models	WARNING-6-99	20	Exhaust Deflector (for 117 and 117H only)	117-23	
2	Throttle Ball Seat	116-303	21	Nameplate		
3	Throttle Plunger Assembly	117-A64		for 115	115-301	
4	Throttle Plunger O-ring (2)	117-168		for 115-EU	115-EU-301	
5	Throttle Ball	116-50		for 116	116-301	
6	Throttle Ball Spring	116-11		for 116-EU	116-EU-301	
7	Inlet Bushing	117-565		for 116H	116H-301	
8	Power Regulator Assembly	117-A250		for 117	117-301	
9	Regulator O-ring	117-167		for 117-EU	117-EU-301	
10	Regulator Retaining Pin	116-120		for 117H	117H-301	
11	Trigger	115-93		22	Nameplate Drive Screw (2)	222-302
12	Trigger Pin	116-121	23	Body Shop Chisel Kit	116-K5	
13	Valve Seat	115-3				
14	Valve	115-2				
15	Valve Cap	115-4				
16	Valve Cap Alignment Pin (large diameter)	115-31				

Parts and Maintenance

When the life of the tool has expired, it is recommended that the tool be disassembled, degreased and parts be separated by material so that they can be recycled.

Tool repair and maintenance should only be carried out by an authorized Service Center.

Refer all communications to the nearest **Ingersoll Rand** Office or Distributor.

Related Documentation

For additional information refer to:

Air Percussive Hammer Product Safety Information Manual 04581450.

Air Percussive Hammer Product Information Manual 47135447.

Manuals can be downloaded from www.ingersollrandproducts.com