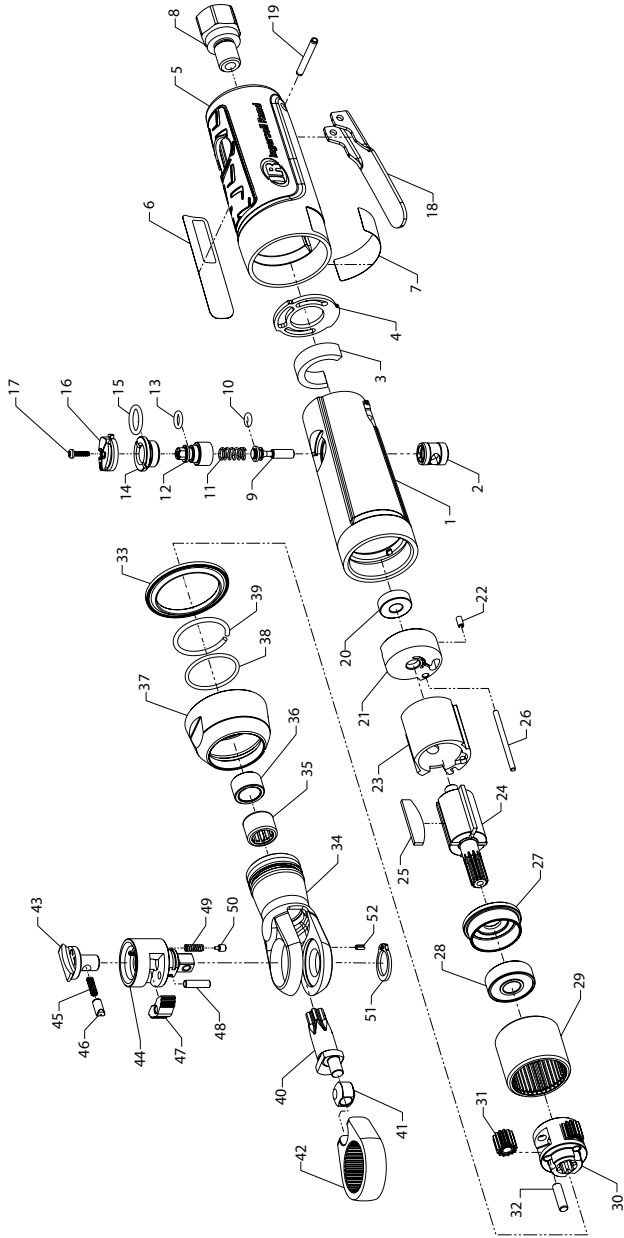


# 1105MAX-D2 and 1105MAX-D3 Air Ratchet Wrench - Exploded View



(Dwg. 45649290)

## 1105MAX-D2 and 1105MAX-D3 Air Ratchet Wrench - Parts List

Item	Part Description	Part Number	Item	Part Description	Part Number
	Housing Assembly			Gearing Kit	1105-GK
	for 1105MAX-D2	1105MAX-D2-A40	29	Internal Gear	---
	for 1105MAX-D3	1105MAX-D3-A40	30	Spindle	---
1	Housing	---	31	Planet Gear (3 per kit)	---
2	Valve Bushing	---	32	Planet Gear Pin (3 per kit)	---
3	Muffler	---	33	Ring	1105-223
4	Exhaust Gasket	---		Ratchet Housing Assembly	1105-A322
	Composite Housing Assembly		34	Ratchet Housing	---
	for 1105MAX-D2	1105MAX-D2-A747	35	Needle Bearing	---
	for 1105MAX-D3	1105MAX-D3-A747	36	Bushing	---
5	Composite Housing	---	37	Coupling Nut	1105-27A
6	Nameplate Label		38	O-Ring	JQ2-201
	for 1105MAX-D2	1105MAX-D2-301	39	Retaining Ring	1105-118
	for 1105MAX-D3	1105MAX-D3-301	40	Crankshaft	1105-35
7	Warning Label	WARNING-35-99	41	Drive Bushing	1105-36
8	Inlet Bushing Assembly	103A-A565	42	Yoke	1105-37
	Valve Kit	1105-VK		Ratchet Head Kit	
9	Throttle Valve	---		for 1105MAX-D2	1105-D2-TRK1
10	Throttle Valve O-Ring	---		for 1105MAX-D3	1105-D3-TRK1
11	Throttle Valve Spring	---	43	Reverse Button	1105-38
12	Power Regulator	---	44	Anvil Assembly	
13	Regulator O-Ring	---		for 1105MAX-D2	1105-D2-A44
14	Valve Plug	---		for 1105MAX-D3	1105-D3-A44
15	Valve Plug O-Ring	---		Pawl Kit	1105-K43
16	Regulator Knob	---	45	Lock Spring	---
17	Screw	---	46	Lock Pin	---
	Throttle Lever Kit	1105-LK	47	Pawl	---
18	Throttle Lever	---	48	Pawl Retaining Pin	---
19	Pin	---		Spring Kit	1105-SK
	Motor Assembly	1105-MK	49	Friction Spring (3 per kit)	---
20	Rear Rotor Bearing	---	50	Friction Pin (3 per kit)	---
21	Rear End Plate	---	51	Retaining Ring	---
22	Motor Alignment Pin	---	52	Spring Pin	1105-535
23	Cylinder	---	*	Oil - Ingersoll Rand No. 10 (4 oz. bottle)	10Z4
24	Rotor	---	*	Grease	
25	Vanes (set of 4)	301-42-4		IR # 67 (1 lb can) - for Gearing	67-1 LB
26	End Plate Alignment Pin	---		IR # 67 (8 lb can) - for Gearing	67 8 LB
27	Front End Plate	---		IR # 70 (1 lb can) - for Ratchet Head	70 1 LB
28	Front Rotor Bearing	---		IR # 70 (8 lb can) - for Ratchet Head	70 8 LB
			*	Spline Wrench (for removal of item 29)	1215-SW
			*	Regulator Wrench (for removal of item 14)	1105-RW
			*	Clamp Tool (for clamping item 5)	1105-598

\* Not illustrated.

## Parts and Maintenance

When the life of the tool has expired, it is recommended that the tool be disassembled, degreased and parts be separated by material so that they can be recycled.

Tool repair and maintenance should only be carried out by an authorized Service Center.

Refer all communications to the nearest **Ingersoll Rand** Office or Distributor.

## Related Documentation

For additional information refer to:

Air Ratchet Wrench Safety Information Manual 04580361.

Air Ratchet Wrench Product Information Manual 45649159.

Manuals can be downloaded from [www.ingersollrandproducts.com](http://www.ingersollrandproducts.com)



[www.ingersollrandproducts.com](http://www.ingersollrandproducts.com)  
© 2012 **Ingersoll-Rand** Company

**45649167**  
Edition 4  
July 2012