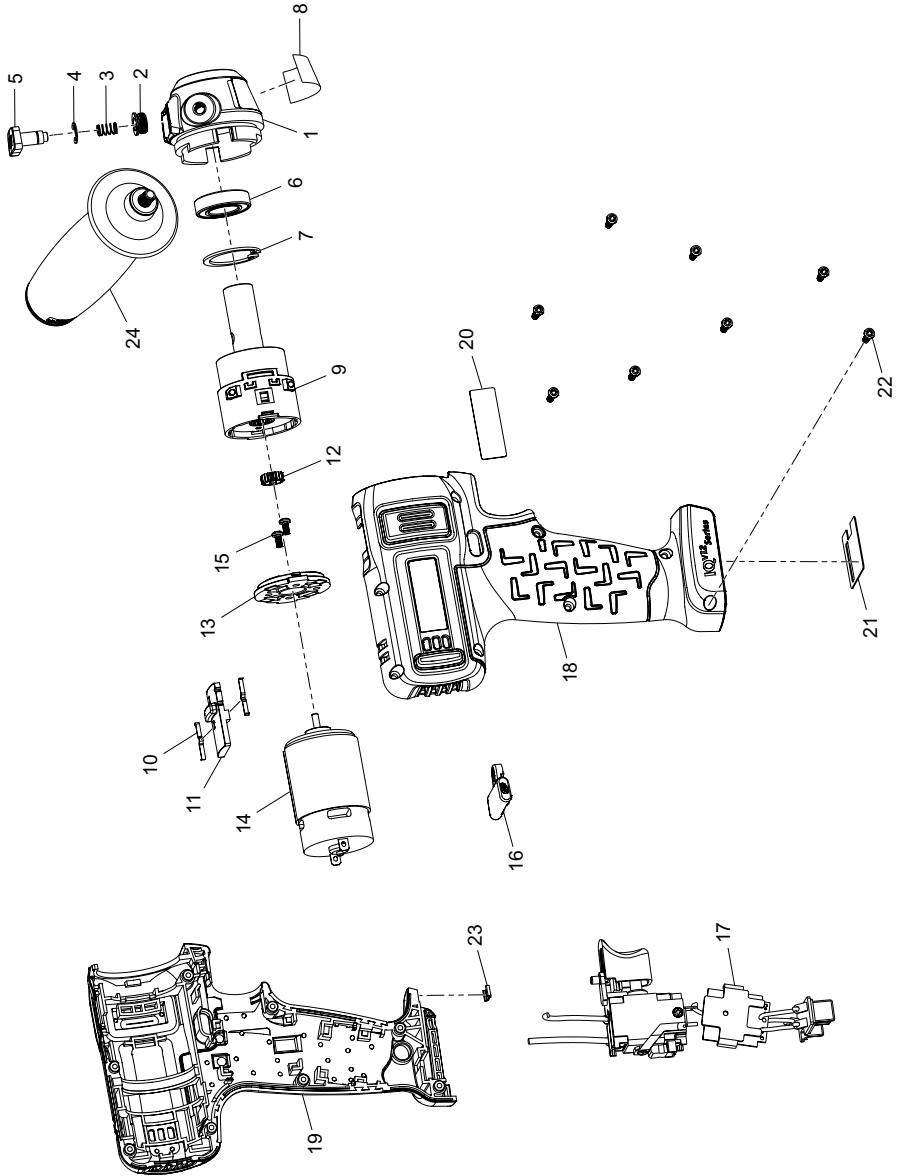


G1000 Series Cordless Polisher/Sander - Exploded View



(Dwg. 47540124001)



## G1000 Series Cordless Polisher/Sander - Parts List

Item	Part Description	Part Number	(CCN)	Item	Part Description	Part Number	(CCN)
*	Front Case Kit	G1621-K727	47514347001	20	Warning Label	--	--
1	Front Case	--	--	21	Information Label	--	--
2	Bushing, Spindle Lock	--	--	22	Screw, Housing (8 required)	--	--
3	Spring, Spindle Lock	--	--	23	Housing Clip	--	--
4	Snap Ring, Spindle Lock	--	--	24	Side Handle Kit	G1621-K48	47545237001
5	Button, Spindle Lock	--	--	*	Label Kit	G1621-K99	47542675001
6	Ball Bearing	--	--	8	Warning Label	--	--
7	Snap Ring	--	--	20	Warning Label	--	--
8	Warning Label	--	--	21	Information Label	--	--
9	Gear Box Assembly Kit	G1621-K750	47543552001	*	12V Li-ion Battery Pack	BL1203	24206179
*	High/Low Speed Actuator Kit	D1000-K249	47503711001	*	IQV12/20 Battery Charger	BC1121	47507879001
10	Speed Detents (2 required)	--	--	*	IQV12 Battery Charger	BC1110	47499967001
11	High/Low Speed Switch	--	--	*	Accessory Kit, G1000	G1000-KIT-PAD	47544526001
*	Electric Motor Kit	G1621-K54	47542672001		2" Backing Pad (for Sander)	G1621-02A-SPAD	47514335001
12	Pinion	--	--		3" Backing Pad (for Sander)	G1621-03A-SPAD	47544578001
13	Motor Adapter Plate	--	--		3" Hook and Loop Backing Pad (for Polisher)	G1621-03H-PAD	47514336001
14	Motor	--	--		3" Hook and Loop T80 Foam Pad (for Sander)	--	--
15	Screw, Motor Adapter Plate (2 required)	--	--		3" Hook and Loop T10 Foam Pad (for Sander)	--	--
16	Trigger Lock Kit	G1621-K75	47543553001		3" Hook and Loop Wool Pad (for Polisher)	--	--
17	Switch-PCB-Battery Connector	G1000-K93	47542673001				
*	Housing Kit	G1621-K40	47542674001				
18	Housing, Right Handle	--	--				
19	Housing, Left Handle	--	--				

\* Indicates Not Illustrated.

† Indicates common-wear parts. Maintain stock to reduce downtime.

### Parts and Maintenance

When tool life has expired, it is recommended that the tool be disassembled, degreased and parts separated by material for proper recycling.

Tool repair and maintenance should only be carried out by an authorized Service Center.

Refer all communications to the nearest **Ingersoll Rand** office or distributor.

### Related Documentation

Manuals can be downloaded from [ingersollrandproducts.com](http://ingersollrandproducts.com)

For additional information, refer to:

Product Safety Information Manual 47542671001.

Product Information Manual 47540139001.