



APsystems (LATAM) Accessories

Rev 1.4

ALTENERGY POWER SYSTEM Inc.
latam.APsystems.com

APsystems Mexico:
Av. Lázaro Cárdenas #3422 int 604, Col. Chapalita., Zapopan, Jalisco. C.P. 45040. México
Mail: info.latam@APsystems.com

© All Rights Reserved

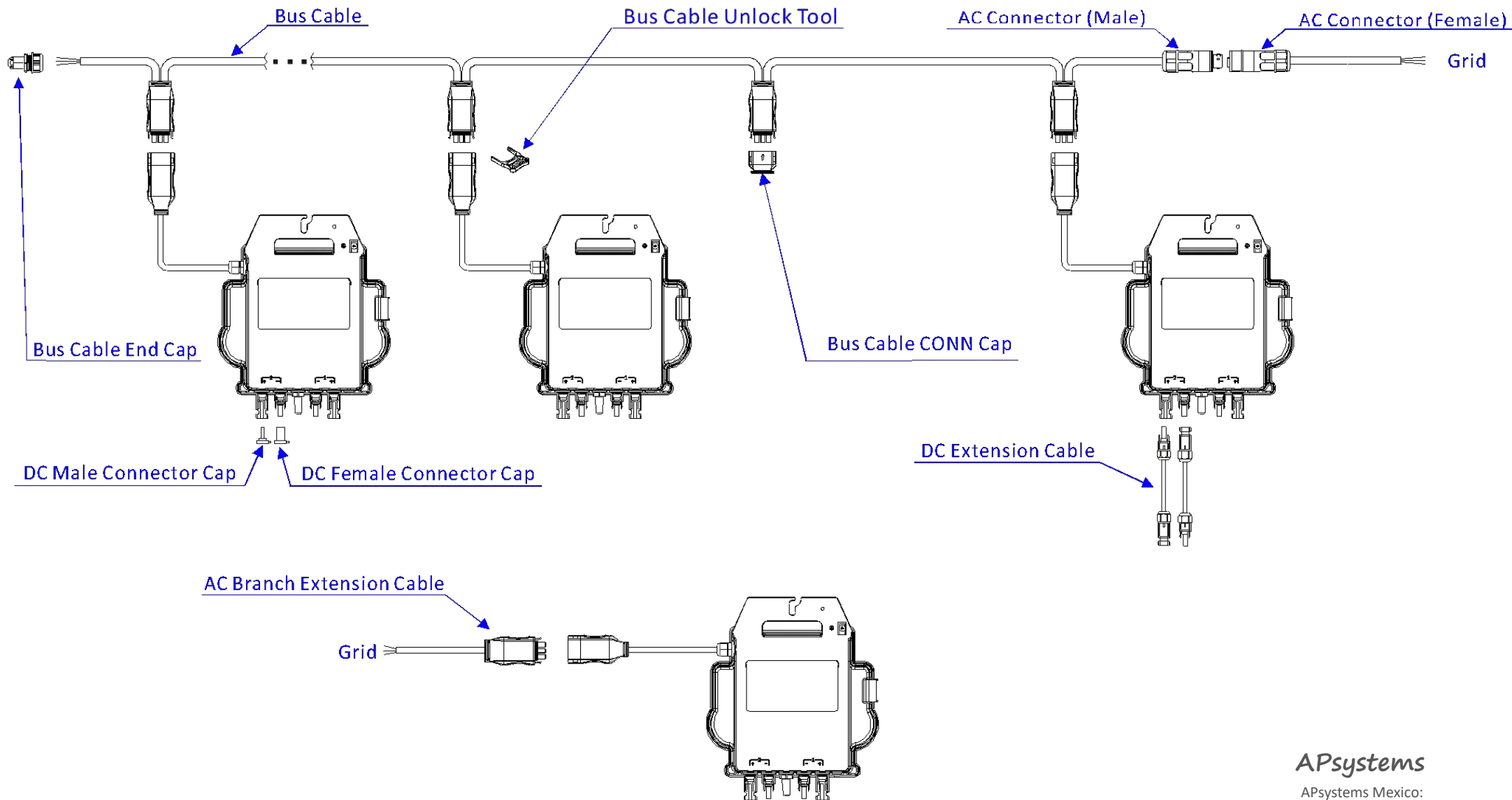
Contents

DS3 Series Accessories	3
1. Wiring Diagram	3
2. Dimensions	4
3. Accessories Summary	5
4. Physical Picture	6
5. Accessories information	7
DS3D Accessories	23
1. Wiring Diagram	23
2. DS3D Dimensions	24
3. Accessories Summary	25
4. Physical Picture	26
5. Accessories information	27
QT2 Accessories	28
1. Wiring Diagram	28
2. QT2 Dimensions	29
3. Accessories Summary	30
4. Physical Picture	31
5. Accessories information	32
QT2D Accessories	44
1. Wiring Diagram	44
2. QT2D Dimensions	45
3. Accessories Summary	46
4. Physical Picture	47
5. Accessories information	48
ECU-C Accessories	50
1. Wiring Diagram	50
2. ECU-C Dimensions	51
3. Accessories Summary	52
4. Physical Picture	53
5. Accessories information	54

ECU-R Accessories	59
1. Wiring Diagram	59
2. ECU-R Dimensions	60
3. Accessories Summary	60
4. Physical Picture	61
5. Accessories information	62
ECU-B Accessories	65
1. Wiring Diagram	65
2. ECU-B Dimensions	66
3. Accessories Summary	66
4. Physical Picture	67

DS3 Series Accessories

1. Wiring Diagram

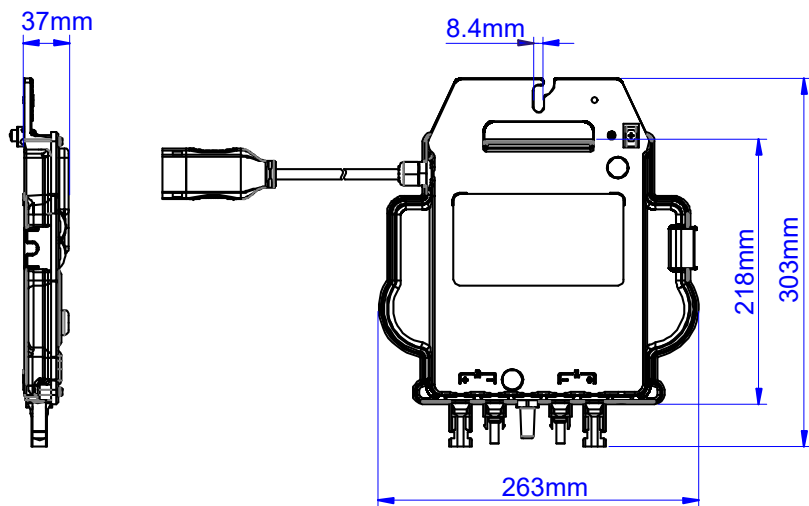


APsystems

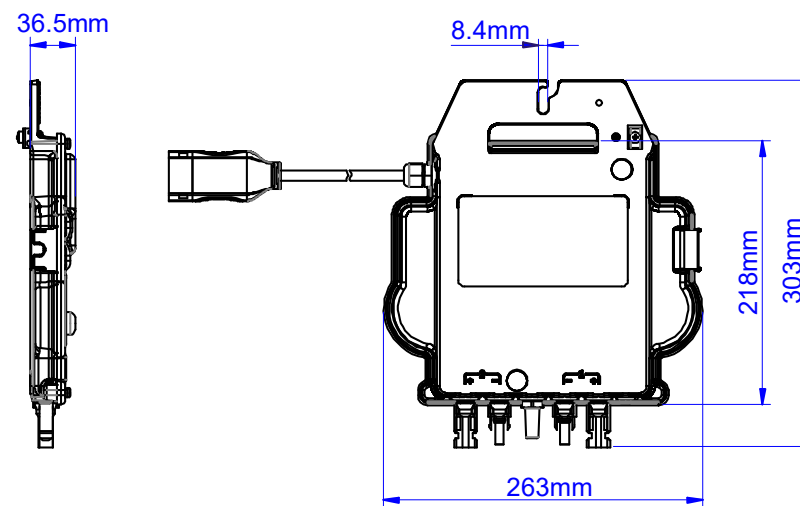
APsystems Mexico:
 Av. Lázaro Cárdenas #3422 int 604, Col. Chapalita.,
 Zapopan, Jalisco. C.P. 45040. México
latam.APsistemas.com

2. Dimensions

DS3/DS3-H Dimensions



DS3-L/DS3-M/DS3-S Dimensions



APsystems

APsystems Mexico:
 Av. Lázaro Cárdenas #3422 int 604, Col. Chapalita.,
 Zapopan, Jalisco. C.P. 45040. México
latam.APsystems.com

3. Accessories Summary

Region		Accessories									
		Bus Cable (Mandatory)	AC Branch Extension Cable (Optional)	Bus Cable End Cap (Mandatory)	Bus Cable CONN Cap (Optional)	Bus Cable Unlock Tool (Mandatory)	DC Male Connector Cap (Optional)	DC Female Connector Cap (Optional)	AC Connector (Male) (Optional)	AC Connector (Female) (Optional)	DC Extension Cable (Optional)
LATAM	Mexico -H-MX (120031)	2322600403_Split Phase Bus Cable (10AWG,TC,2.4m) <i>(See Pic. A)</i>	2334075242_Split Phase Br. Ext-cable (18AWG,TC, 2m) <i>(See Pic. B)</i>	2060700017_ 3-wire Bus Cable End Cap <i>(See Pic. C)</i>	2061702007_ Bus Cable Y-CONN Cap <i>(See Pic. D)</i>	2352000001_ Y Bus Cable Unlock Tool <i>(See Pic. E)</i>	2060401006_ DC Male Connector Cap (MC4) <i>(See Pic. F)</i>	2060402006_ DC Female Connector Cap (MC4) <i>(See Pic. G)</i>	2300931212_ AC Connector (3 core, two seals, male) <i>(See Pic. H)</i>	2300932212_ AC Connector (3 core, two seals, female) <i>(See Pic. I)</i>	2310310274_1m DC Extension Cable (MC4) 2310360214_2m DC Extension Cable (MC4) 2310360224_3m DC Extension Cable (MC4) <i>(See Pic. J)</i>
		2322301303_Split Phase Bus Cable (12AWG,TC,2m) <i>(See Pic. A)</i>									
	Brazil -H-BR (120006)	2322601403_Single Phase Bus Cable (4mm ² ,H07,2.4m) <i>(See Pic. A)</i>	2334076132_Single Phase Br. Ext-cable (2.5mm ² ,1m) <i>(See Pic. B)</i>								
		2322304903_Single Phase Bus Cable (2.5mm ² , H07,2m) <i>(See Pic. A)</i>									

Notes: The cables in this table are recommended by APsystems, and the O.D. and length of the cable can be customized according to customer needs.

APsystems

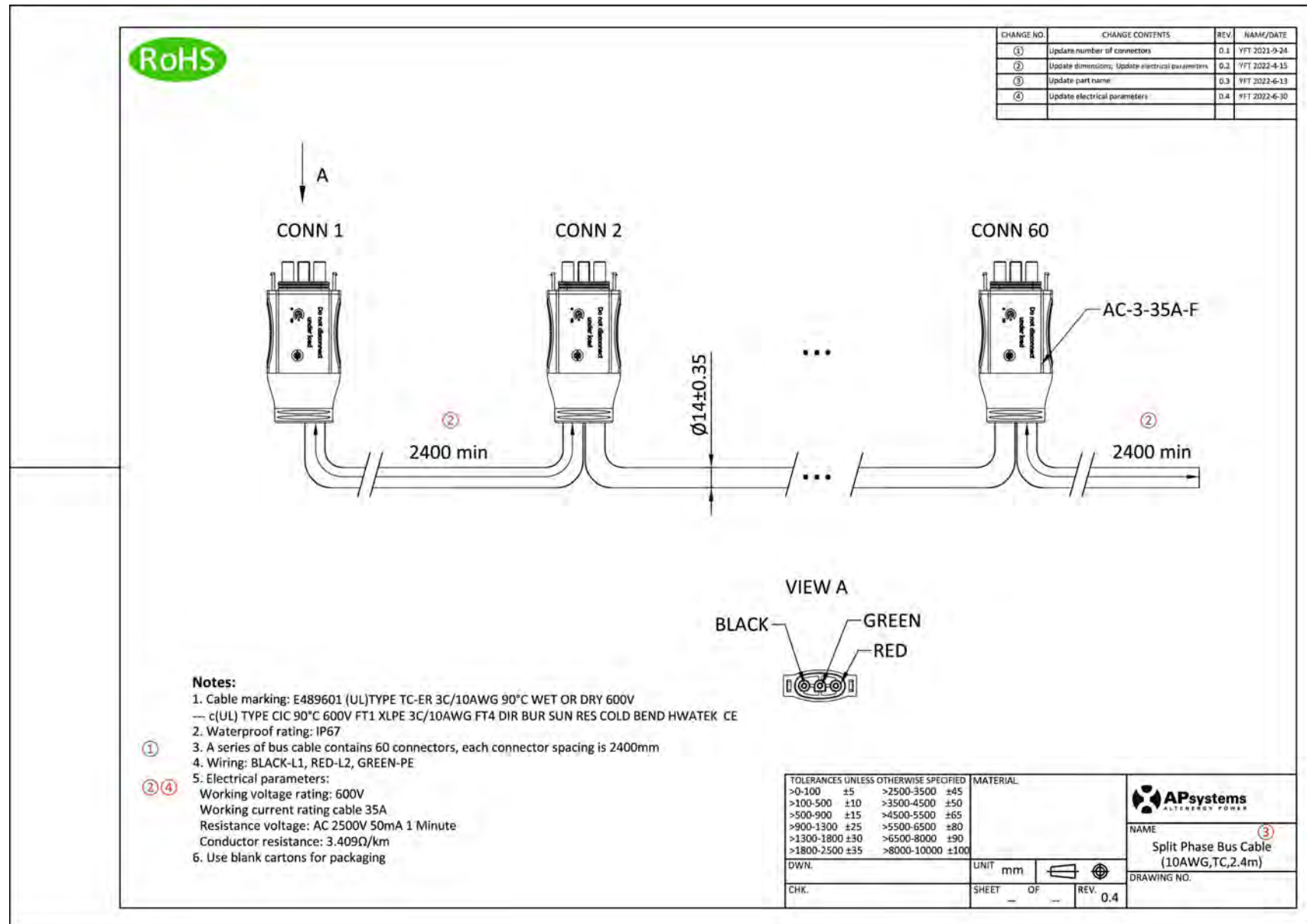
APsystems Mexico:
Av. Lázaro Cárdenas #3422 int 604, Col. Chapalita.,
Zapopan, Jalisco. C.P. 45040. México
latam.APsistemas.com

4. Physical Picture

Bus Cable	AC Branch Extension Cable	Bus Cable End Cap	Bus Cable CONN Cap	Bus Cable Unlock Tool	DC Male Connector Cap
 <p data-bbox="197 576 271 600">Pic. A</p>	 <p data-bbox="544 576 618 600">Pic. B</p>	 <p data-bbox="891 576 965 600">Pic. C</p>	 <p data-bbox="1238 576 1312 600">Pic. D</p>	 <p data-bbox="1585 576 1659 600">Pic. E</p>	 <p data-bbox="1933 576 2007 600">Pic. F</p>
DC Female Connector Cap	AC Connector (Male)	AC Connector (Female)	DC Extension Cable		
 <p data-bbox="197 999 271 1023">Pic. G</p>	 <p data-bbox="544 999 618 1023">Pic. H</p>	 <p data-bbox="891 999 965 1023">Pic. I</p>	 <p data-bbox="1238 999 1312 1023">Pic. J</p>		

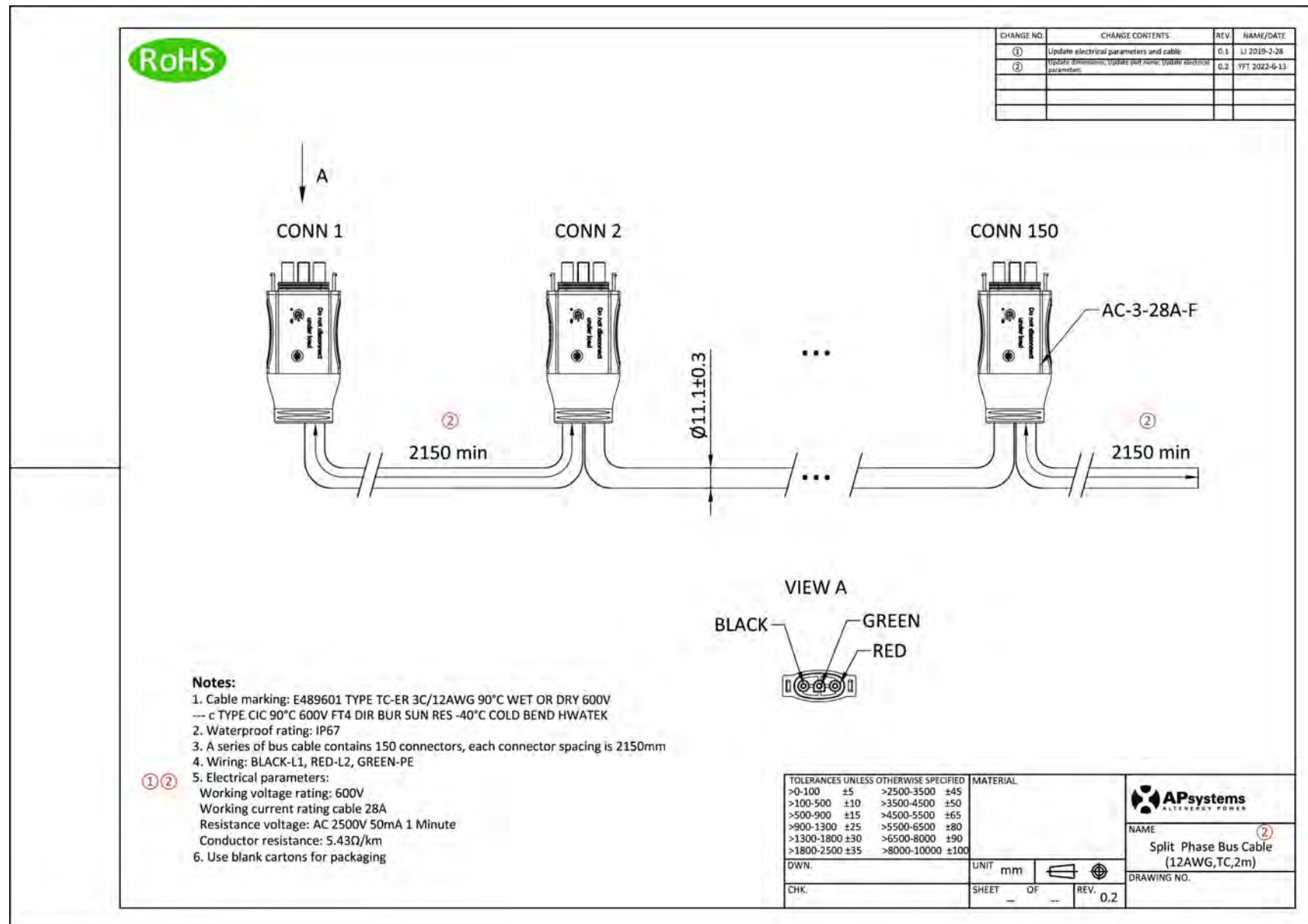
5. Accessories information

2322600403_Split Phase Bus Cable (10AWG,TC,2.4m)



systems
 tems Mexico:
 ol. Chapalita.,
 5040. México
 systems.com

2322301303_Split Phase Bus Cable (12AWG,TC,2m)

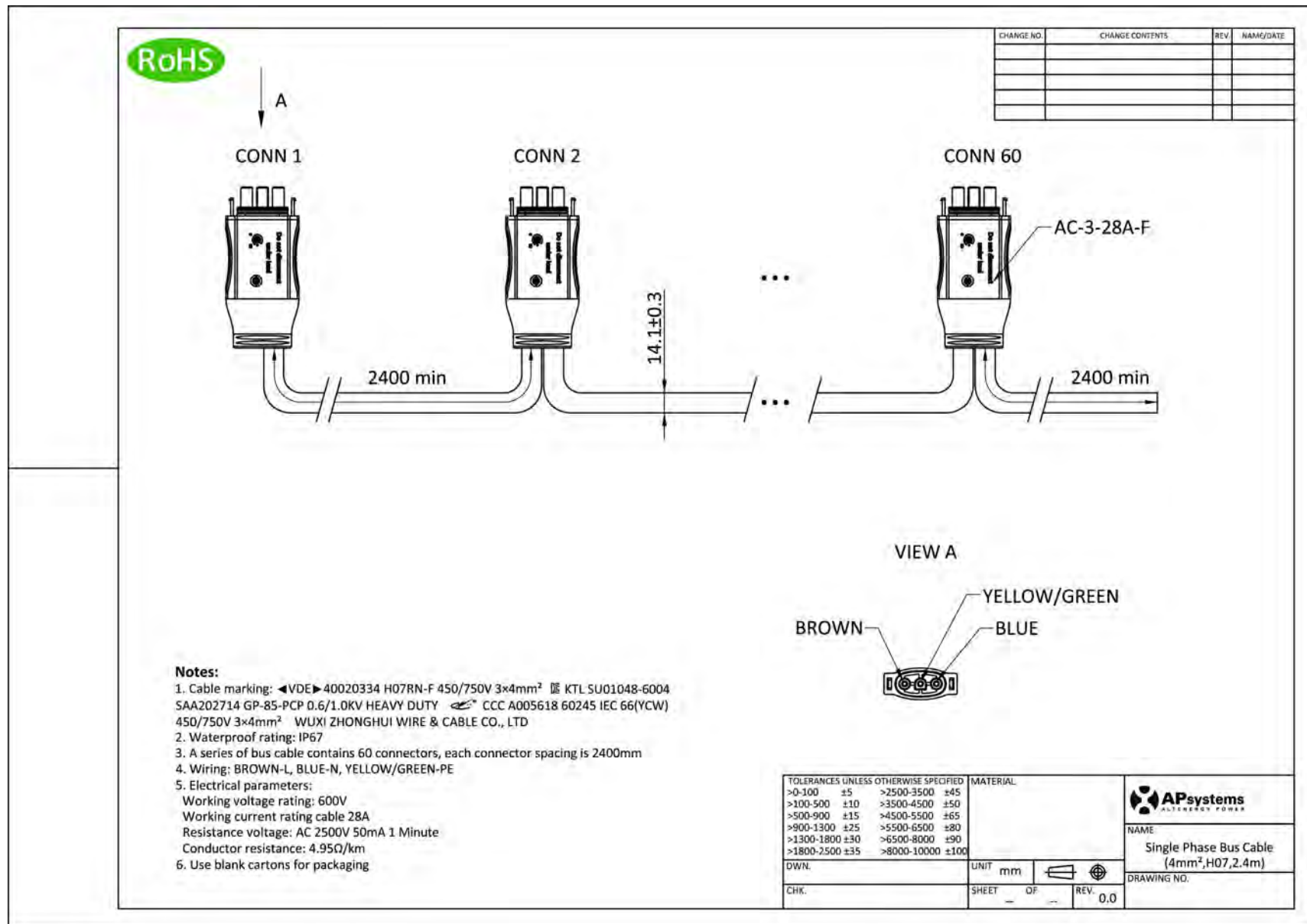


Zapopan, Jalisco. C.P. 45040. México
latam.APsistemas.com

systems

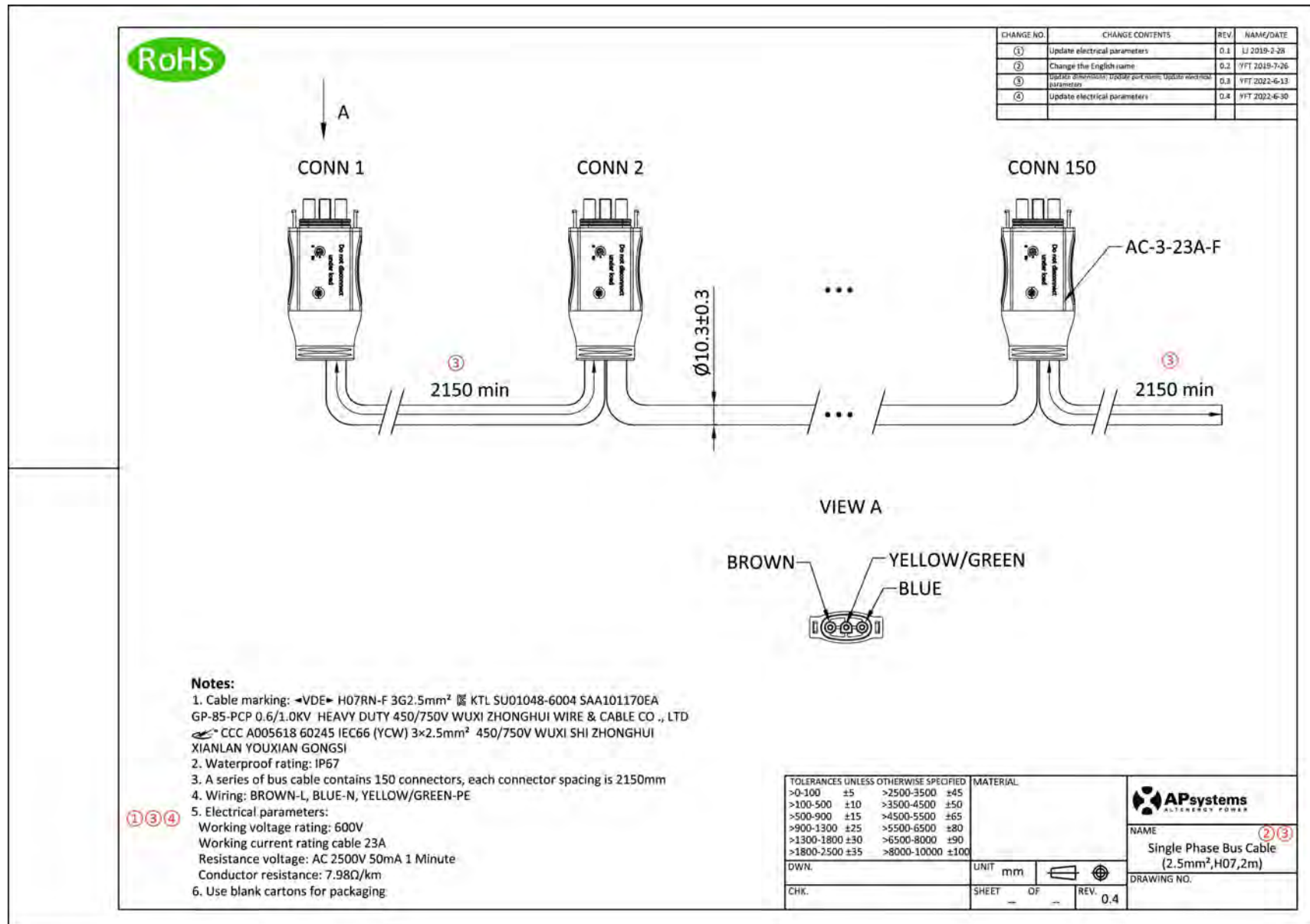
tems Mexico:
ol. Chapalita.,

2322601403_Single Phase Bus Cable (4mm²,H07,2.4m)



Zapopan, Jalisco. C.P. 45040. México
latam.APsistemas.com

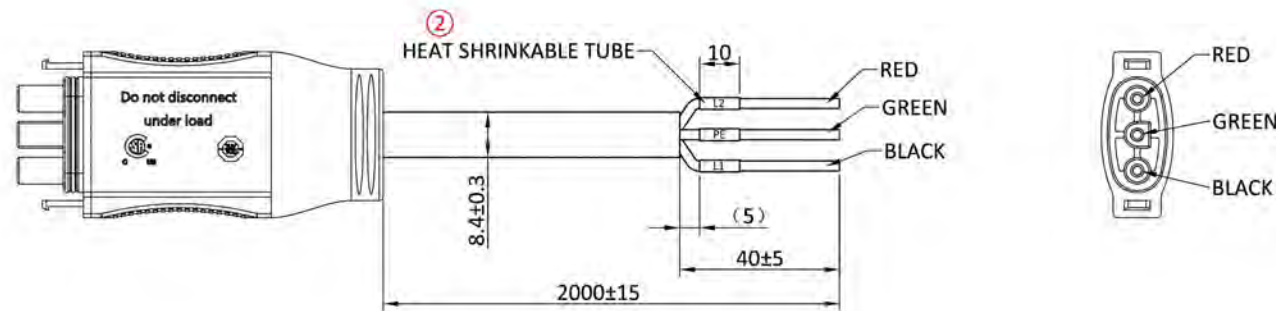
2322304903_Single Phase Bus Cable (2.5mm²,H07,2m)



2334075242_ Split Phase Br. Ext-cable (18AWG,TC, 2m)

RoHS

CHANGE NO.	CHANGE CONTENTS	REV	NAME/DATE
①	Update electrical parameters and cable	0.1	LI 2019-2-28
②	Change the label to heat shrinkable tube	0.2	YFT 2020-5-22
③	Update part name; Update electrical parameters	0.3	YFT 2022-6-13



WIRE RUN LIST		
AWG	COLOR	LABEL
18	BLACK	L1
	RED	L2
	GREEN	PE

Notes:

- ① 1. Cable: E489601 TYPE TC-ER 3C/18AWG 90°C WET OR DRY 600V OIL RES
 --- c TYPE CIC 90°C 600V FT4 DIR BUR SUN RES -40°C COLD IMPACT AND COLD BEND HWATEK
2. Waterproof rating: IP67;
3. Wiring: BLACK-L1, RED-L2, GREEN-PE;
- ①③ 4. Electrical parameters:
 Working voltage rating: 600V
 Working current rating cable 10A
 Resistance voltage: AC 2500V 50mA 1 Minute
 Conductor resistance: 21.8Ω/km
5. Use blank cartons for packaging

TOLERANCES UNLESS OTHERWISE SPECIFIED		MATERIAL		
> 0-100 ±5	> 2500-3500 ±45			
> 100-500 ±10	> 3500-4500 ±50			
> 500-900 ±15	> 4500-5500 ±65			
> 900-1300 ±25	> 5500-6500 ±80			
> 1300-1800 ±30	> 6500-8000 ±90			
> 1800-2500 ±35	> 8000-10000 ±100			

DWN.	UNIT	mm			
CHK.	SHEET	OF			REV.
					DRAWING NO.

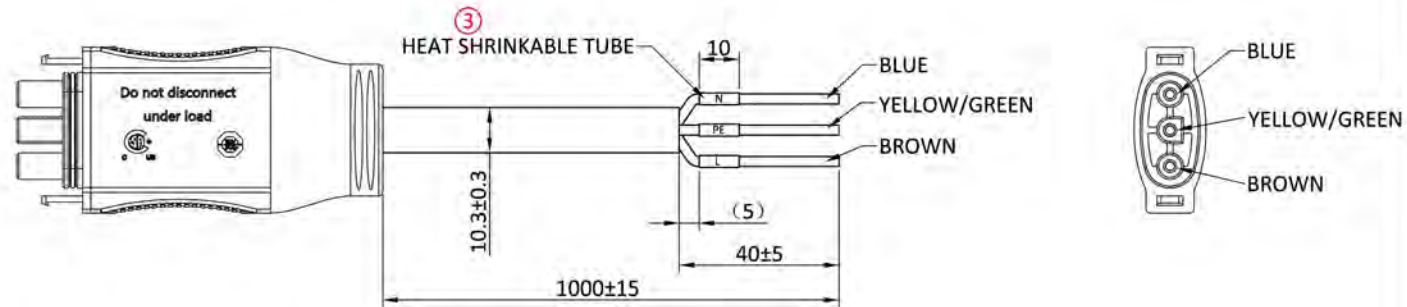
systems

tems Mexico:
 pl. Chapalita.,
 Zapopan, Jalisco. C.P. 45040. México
 latam.APsistemas.com

2334076132_ Single Phase Br. Ext-cable (2.5mm²,1m)



CHANGE NO.	CHANGE CONTENTS	REV.	NAME/DATE
①	Update electrical parameters	0.1	LJ 2019-2-28
②	Change the part name	0.2	YFT 2019-7-26
③	Change the label to heat shrinkable tube	0.3	YFT 2020-5-22
④	Update part name; Update electrical parameters	0.4	YFT 2022-6-13
⑤	Update electrical parameters	0.5	YFT 2022-6-30



WIRE RUN LIST		
mm ²	COLOR	LABEL
2.5	BROWN	L
	BLUE	N
	YELLOW/GREEN	PE


Notes:

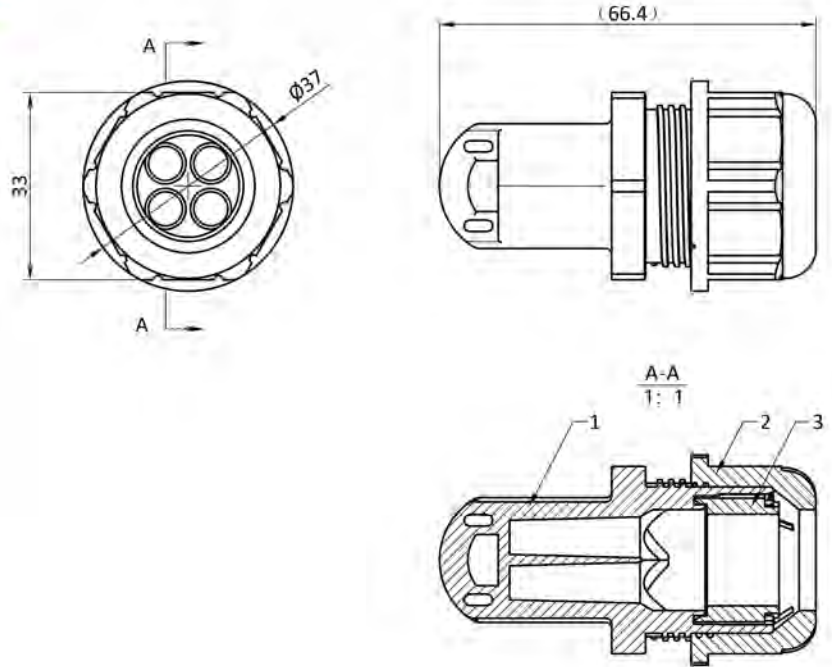
- Cable: ◀VDE▶ H07RN-F 3G2.5mm² KTL.SU01048-6004 SAA101170EA GP-85-PCP 0.6/1.0KV HEAVY DUTY 450/750V WUXI ZHONGHUI WIRE & CABLE CO., LTD CCC A005618 60245 IEC66 (YCW) 3×2.5mm² 450/750V WUXI SHI ZHONGHUI XIANLAN YOUXIAN GONGSI
- Waterproof rating: IP67;
- Wiring: BROWN-L, BLUE-N, YELLOW/GREEN-PE;
- ①④⑤ Electrical parameters:
Working voltage rating: 600V
Working current rating cable 23A
Resistance voltage: AC 2500V 50mA 1 Minute
Conductor resistance: 7.98Ω/km
- Use blank cartons for packaging

TOLERANCES UNLESS OTHERWISE SPECIFIED		MATERIAL	
>0-100 ±5	>2500-3500 ±45	 NAME: Single Phase Br. Ext-Cable(2.5mm ² ,1m)	
>100-500 ±10	>3500-4500 ±50		
>500-900 ±15	>4500-5500 ±65		
>900-1300 ±25	>5500-6500 ±80		
>1300-1800 ±30	>6500-8000 ±90		
>1800-2500 ±35	>8000-10000 ±100		
DWN.	UNIT mm		
CHK.	SHEET OF	REV. 0.5	DRAWING NO.

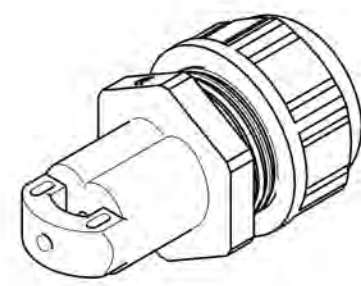
APsystems
 Single Phase Br. Ext-Cable(2.5mm²,1m)
 systems
 tems Mexico:
 ol. Chapalita.,
 Zapopan, Jalisco. C.P. 45040. México
 latam.APsistemas.com

2060700017_ 3-wire Bus Cable End Cap




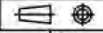


CHANGE NO.	CHANGE CONTENTS	REV.	NAME/DATE



Notes:

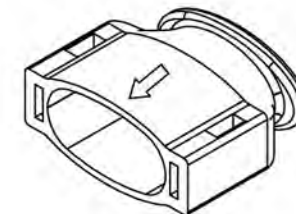
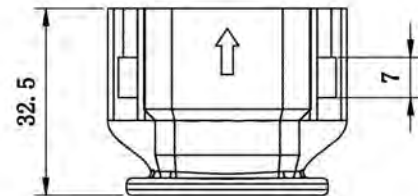
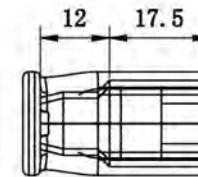
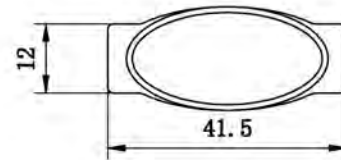
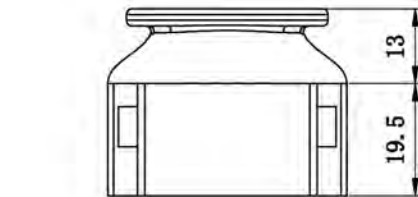
1. Cable Size: 10~16mm;
2. Nut Torque: 3.0~5.0N·m;
3. Waterproof Rating: IP68;
4. Operating Temperature Range: -40~105°C;
5. Packaging: Blank Cartons

3	Sealing bushing	Rubber	1		
2	Round nut	PA6	1		
1	Joint body	PA6	1		
NO.	NAME	TYPE	MAT.	QTY.	REMARK
TOLERANCES (UNLESS OTHERWISE SPECIFIED)		MATERIAL			
±0.5		 NAME 3-wire Bus Cable End Cap			
DWN.	UNIT	mm			
CHK.	SHEET	OF	REV.	DRAWING NO.	


2061702007_Bus Cable Y-CONN Cap

RoHS

CHANGE NO.	CHANGE CONTENTS	REV.	NAME/DATE



- Notes:
1. Part Number: DUO0050
 2. Undimensioned Features Are Derived From 3D Database
 3. Molded Part Must Meet RoHS
 4. Use Blank Cartons For Packaging

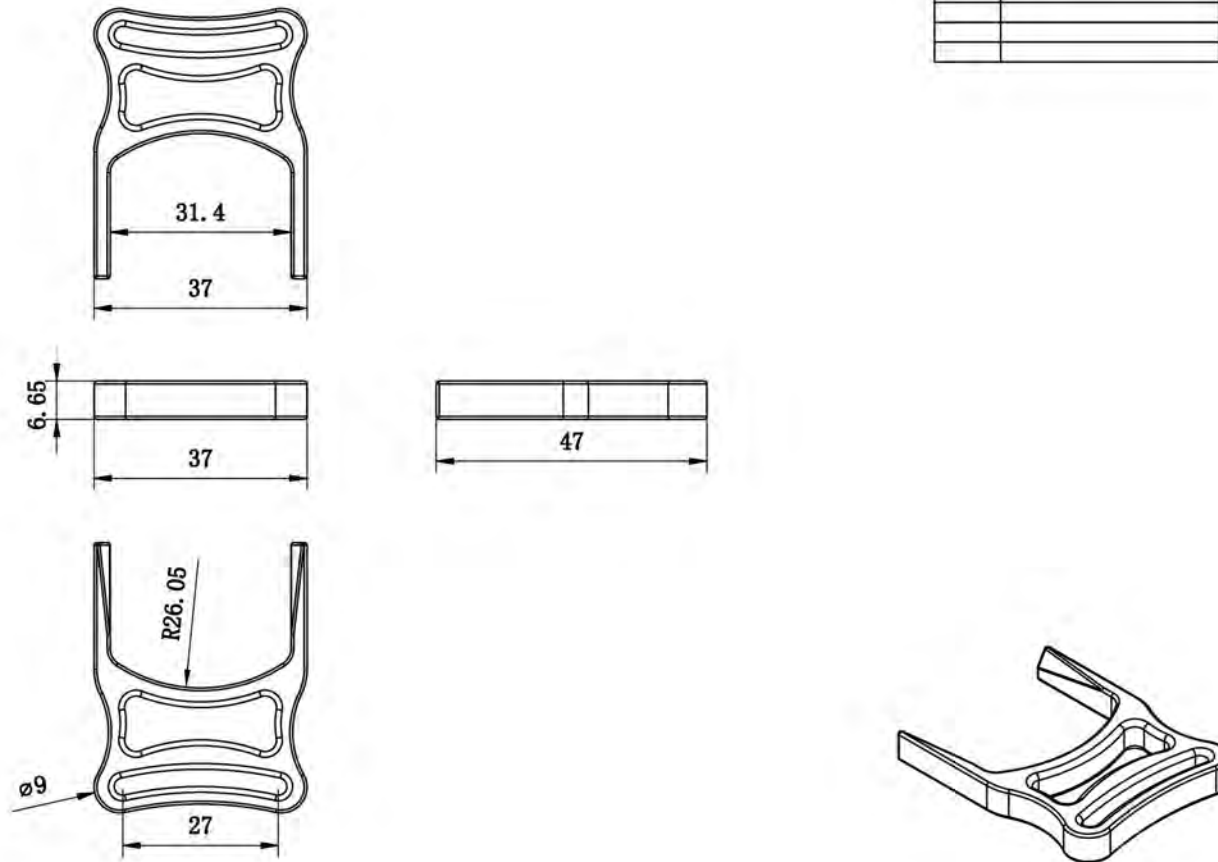
TOLERANCES UNLESS OTHERWISE SPECIFIED	MATERIAL	 NAME Bus Cable Y-CONN Cap
> 0.5~3 : ±0.15 > 3~6 : ±0.2 > 6~30 : ±0.5 > 30~120 : ±0.8 > 120~315 : ±1.2 ANGLES: ±1°	PPE	
DWN.	UNIT mm	DRAWING NO.
CHK.	SHEET OF REV. 0.0	

APsystems
 systems
 APsystems Mexico:
 pl. Chapalita.,
 Zapopan, Jalisco. C.P. 45040. México
 latam.APsystems.com


2352000001_Y Bus Cable Unlock Tool

RoHS

CHANGE NO.	CHANGE CONTENTS	REV.	NAME/DATE



- Notes:
1. Part Number: PPO
 2. Undimensioned Features Are Derived From 3D Database
 3. Molded Part Must Meet Rohs
 4. Use Blank Cartons For Packaging

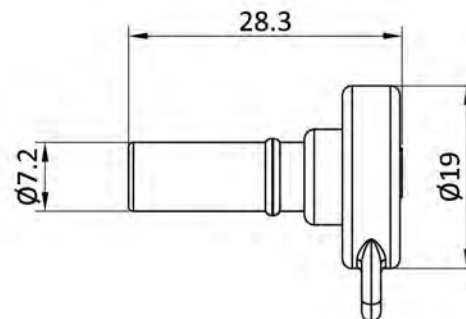
TOLERANCES UNLESS OTHERWISE SPECIFIED	MATERIAL	 NAME Y Bus Cable Unlock Tool
> 0.5~3 : ±0.15 > 3~6 : ±0.2 > 6~30 : ±0.5 > 30~120 : ±0.8 > 120~315 : ±1.2 ANGLES: ±1°	PPE	
DWN.	UNIT mm	DRAWING NO.
CHK.	SHEET OF REV. 0.0	

APsystems
 systems
 APsystems Mexico:
 Pl. Chapalita,
 Zapopan, Jalisco. C.P. 45040. México
 latam.APsystems.com


2060401006_DC Male Connector Cap (MC4)

RoHS

CHANGE NO.	CHANGE CONTENTS	REV.	NAME/DATE



- Notes:
1. Type: PV-SVK4;
 2. Degree of protection: IP67;
 3. Use blank cartons for packaging

TOLERANCES UNLESS OTHERWISE SPECIFIED	MATERIAL	 NAME DC Male Connector Cap (MC4)
±0.5	TPE	
DWN.	UNIT mm	DRAWING NO.
CHK.	SHEET OF REV. 0.0	-

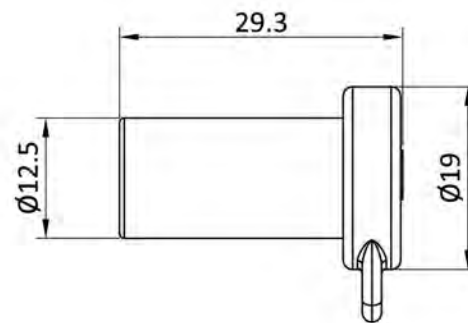
systems

tems Mexico:
 pl. Chapalita.,
 Zapopan, Jalisco. C.P. 45040. México
 latam.APsistemas.com


2060402006_DC Female Connector Cap (MC4)

RoHS

CHANGE NO.	CHANGE CONTENTS	REV.	NAME/DATE



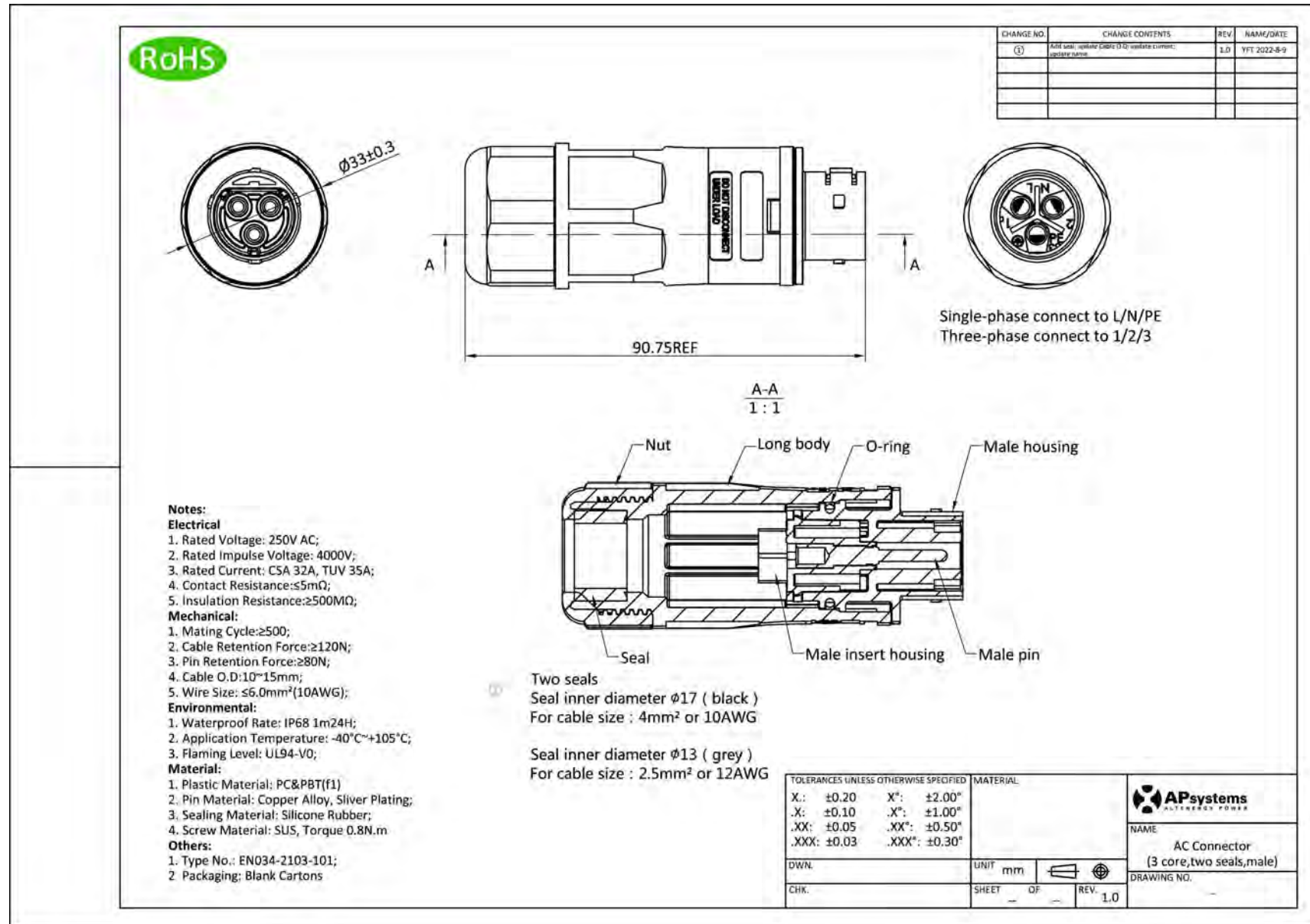
- Notes:
1. Type: PV-BVK4;
 2. Degree of protection: IP67;
 3. Use blank cartons for packaging

TOLERANCES UNLESS OTHERWISE SPECIFIED ±0.5	MATERIAL TPE	 NAME DC Female Connector Cap (MC4)
DWN.	UNIT mm	
CHK.	SHEET OF REV. 0.0	DRAWING NO.

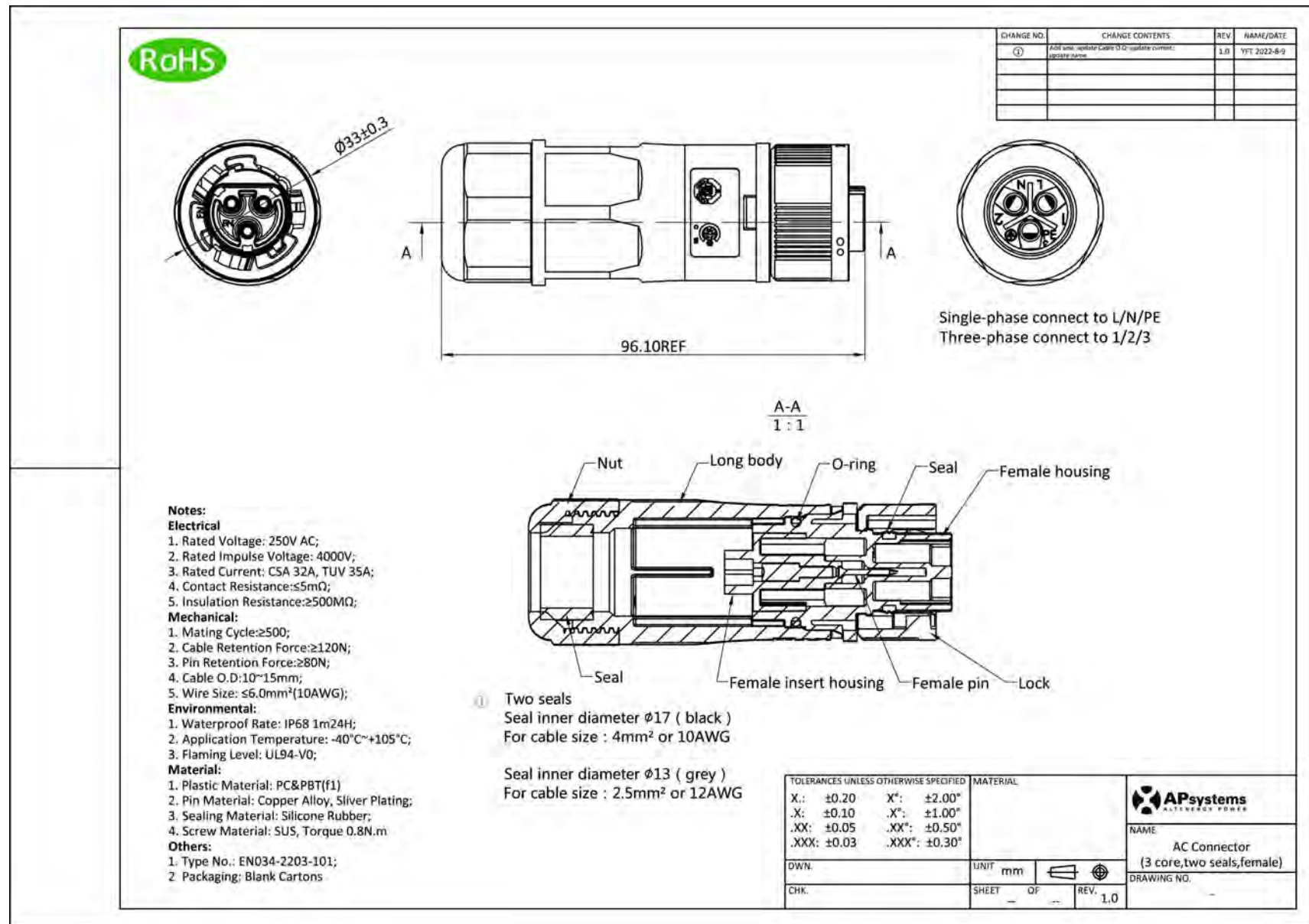
systems

tems Mexico:
pl. Chapalita.,
Zapopan, Jalisco. C.P. 45040. México
latam.APsistemas.com

2300931212_AC Connector (3 core, two seals, male)



2300932212_AC Connector (3 core, two seals, female)



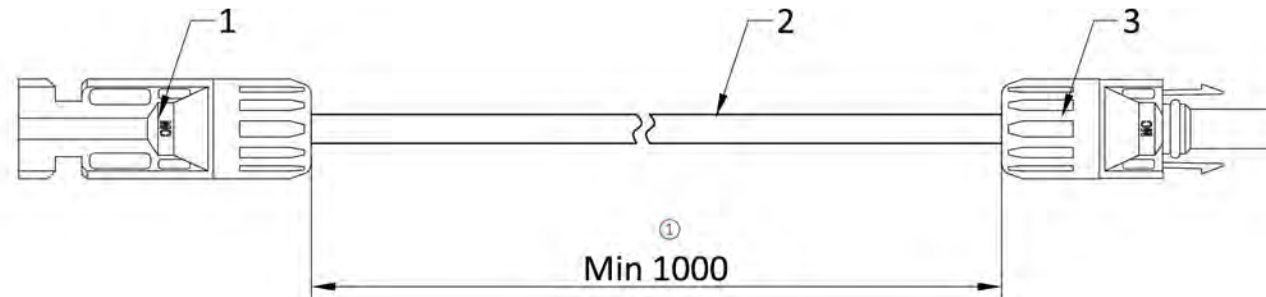
Zapopan, Jalisco. C.P. 45040. México
 latam.APsystems.com

systems
 tems Mexico:
 ol. Chapalita.,
 latam.APsystems.com

2310310274_1m DC Extension Cable (MC4)

RoHS

CHANGE NO.	CHANGE CONTENTS	REV	NAME/DATE
①	Update cable type; Update dimensions	0.1	YFT 2022-9-14



3	DC Connector (female)	MC4 PV-KBT4/6II	1	Female, STAUBLI				
① 2	DC Cable	FLEX-SOL-EVO-DX 4.0	1	4.0mm ² , TUV/UL certification				
		62930 IEC 131/PV	1	4.0mm ² /12AWG, TUV/UL certification	Alternative			
1	DC Connector (male)	MC4 PV-KST4/6II	1	Male, STAUBLI				
NO.	NAME	TYPE	MAT.	QTY.	DESCRIPTION	REMARK		
TOLERANCES UNLESS OTHERWISE SPECIFIED		MATERIAL		 NAME 1m DC Extension Cable (MC4) DRAWING NO.				
>0-100	±5	>2500-3500	±45				UNIT mm	
>100-500	±10	>3500-4500	±50					
>500-900	±15	>4500-5500	±65				SHEET OF REV. 0.1	
>900-1300	±25	>5500-6500	±80				DWN.	
>1300-1800	±30	>6500-8000	±90				CHK.	
>1800-2500	±35	>8000-10000	±100	SHEET OF REV. 0.1				

Notes:
 1. The DC cable and connector connect firmly, can sustain 100N-60s tension
 2. The pin concentric with plastic parts, ensure that there is no contradict phenomenon when male connector inserts into female connector

systems

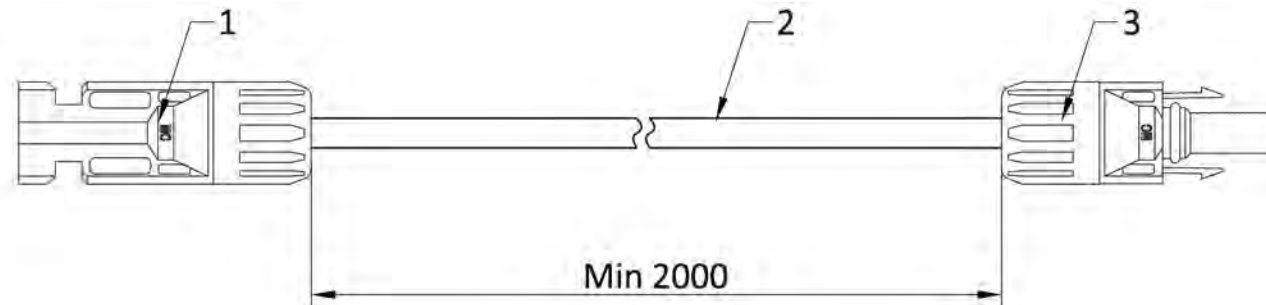
tems Mexico:
 pl. Chapalita.,

Zapopan, Jalisco. C.P. 45040. México
 latam.APsystems.com

2310360214_2m DC Extension Cable (MC4)

RoHS

CHANGE NO.	CHANGE CONTENTS	REV.	NAME/DATE
②	Add alternative cable	0.2	YFT 2022-05-18
③	Add alternative cable	0.3	YFT 2022-11-24


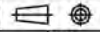


3	DC Connector (female)	MC4 PV-K8T4/6II	1	Female, STAUBLI	
2	DC Cable	FLEX-SOL-EVO-DX 4,0	1	4.0mm ² /12AWG, TUV/UL certification	
		62930 IEC 131/PV H1Z2Z2-K /PV wire			
1	DC Connector (male)	MC4 PV-KST4/6II	1	Male, STAUBLI	

② ③

Notes:

1. The DC cable and connector connect firmly, can sustain 100N-60s tension.
2. The pin concentric with plastic parts, ensure that there is no contradict phenomenon when male connector inserts into female connector.
3. Use Blank Cartons For Packaging.

NO.	NAME	TYPE	MAT.	QTY.	DESCRIPTION	REMARK
TOLERANCES UNLESS OTHERWISE SPECIFIED		MATERIAL				
>0-100	±5	>2500-3500	±45	 NAME 2m DC Extension Cable (MC4) DRAWING NO.		
>100-500	±10	>3500-4500	±50			
>500-900	±15	>4500-5500	±65			
>900-1300	±25	>5500-6500	±80			
>1300-1800	±30	>6500-8000	±90			
>1800-2500	±35	>8000-10000	±100			
DWN.	UNIT	mm				
CHK.	SHEET	OF	REV.	0.3		

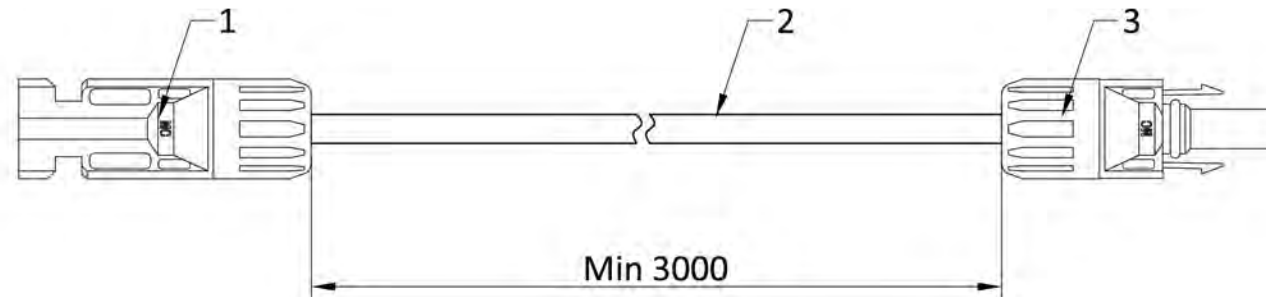
systems

tems Mexico:
 ol. Chapalita.,
 5040. México
 latam.APsistemas.com

2310360224_3m DC Extension Cable (MC4)

RoHS


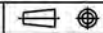
CHANGE NO.	CHANGE CONTENTS	REV.	NAME/DATE
①	Add alternative cable	0.1	YFT 2022-9-14



3	DC Connector (female)	MC4 PV-K8T4/6II	1	Female, STAUBLI	
① 2	DC Cable	FLEX-SOL-EVO-DX 4.0	1	4.0mm ² , TUV/UL certification	
		62930 IEC 131/PV	1	4.0mm ² /12AWG, TUV/UL certification	Alternative
1	DC Connector (male)	MC4 PV-KST4/6II	1	Male, STAUBLI	

Notes:

1. The DC cable and connector connect firmly, can sustain 100N-60s tension
2. The pin concentric with plastic parts, ensure that there is no contradict phenomenon when male connector inserts into female connector

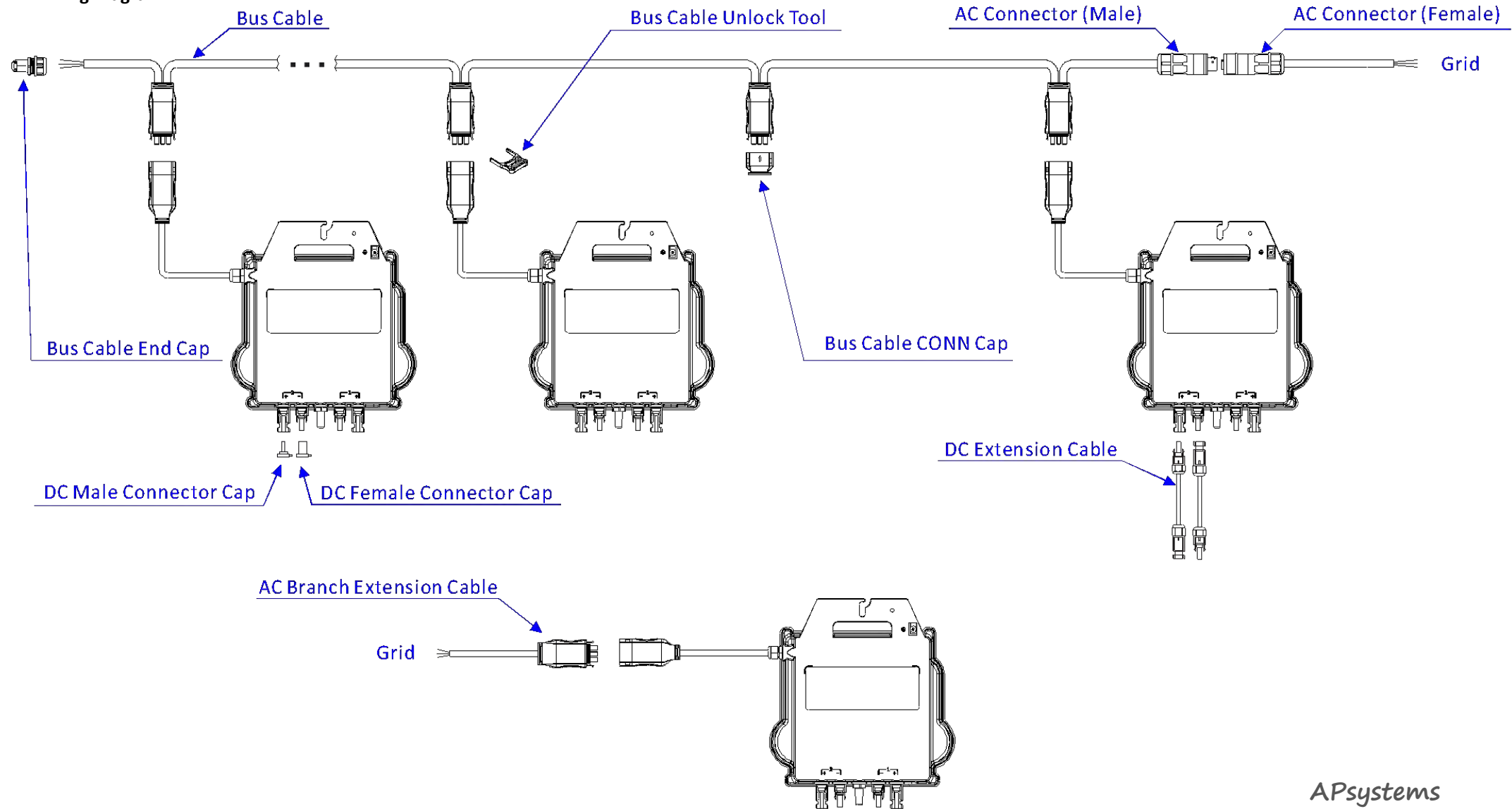
NO.	NAME	TYPE	MAT.	QTY.	DESCRIPTION	REMARK
TOLERANCES UNLESS OTHERWISE SPECIFIED		MATERIAL				
>0-100	±5	>2500-3500	±45	 NAME 3m DC Extension Cable (MC4) DRAWING NO.		
>100-500	±10	>3500-4500	±50			
>500-900	±15	>4500-5500	±65			
>900-1300	±25	>5500-6500	±80			
>1300-1800	±30	>6500-8000	±90			
>1800-2500	±35	>8000-10000	±100			
DWN.		UNIT	mm			
CHK.		SHEET	OF	REV.	0.1	

systems

tems Mexico:
pl. Chapalita.,
Zapopan, Jalisco. C.P. 45040. México
latam.APsistemas.com

DS3D Accessories

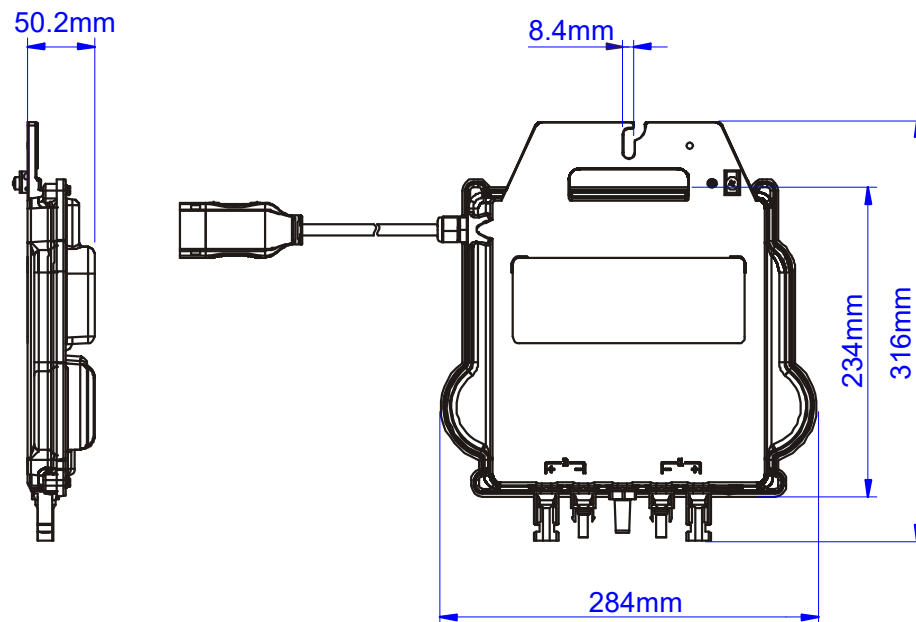
1. Wiring Diagram



APsystems

APsystems Mexico:
 Av. Lázaro Cárdenas #3422 int 604, Col. Chapalita.,
 Zapopan, Jalisco. C.P. 45040. México
latam.APsistemas.com

2. DS3D Dimensions



APsystems

APsystems Mexico:
Av. Lázaro Cárdenas #3422 int 604, Col. Chapalita.,
Zapopan, Jalisco. C.P. 45040. México
latam.APsistemas.com

3. Accessories Summary

Region		Accessories									
		Bus Cable (Mandatory)	AC Branch Extension Cable (Optional)	Bus Cable End Cap (Mandatory)	Bus Cable CONN Cap (Optional)	Bus Cable Unlock Tool (Mandatory)	DC Male Connector Cap (Optional)	DC Female Connector Cap (Optional)	AC Connector (Male) (Optional)	AC Connector (Female) (Optional)	DC Extension Cable (Optional)
LATAM	Mexico -MX (121031)	2322600403_Split Phase Bus Cable (10AWG,TC,2.4m) (See Pic. A)	2334075242_Split Phase Br. Ext-cable (18AWG,TC, 2m) (See Pic. B)	2060700017_ 3-wire Bus Cable End Cap (See Pic. C)	2061702007_ Bus Cable Y-CONN Cap (See Pic. D)	2352000001_ Y Bus Cable Unlock Tool (See Pic. E)	2060401006_ DC Male Connector Cap (MC4) (See Pic. F)	2060402006_ DC Female Connector Cap (MC4) (See Pic. G)	2300931212_ AC Connector (3 core, two seals, male) (See Pic. H)	2300932212_ AC Connector (3 core, two seals, female) (See Pic. I)	2310310274_1m DC Extension Cable (MC4) 2310360214_2m DC Extension Cable (MC4) 2310360224_3m DC Extension Cable (MC4) 2310370236_4m DC Extension Cable (MC4) (See Pic. J)
		2322301303_Split Phase Bus Cable (12AWG,TC,2m) (See Pic. A)									
	Brazil -BR (121006)	2322601403_Single Phase Bus Cable (4mm ² ,H07,2.4m) (See Pic. A)	2334076132_Single Phase Br. Ext-cable (2.5mm ² ,1m) (See Pic. B)								
		2322304903_Single Phase Bus Cable (2.5mm ² , H07,2m) (See Pic. A)									

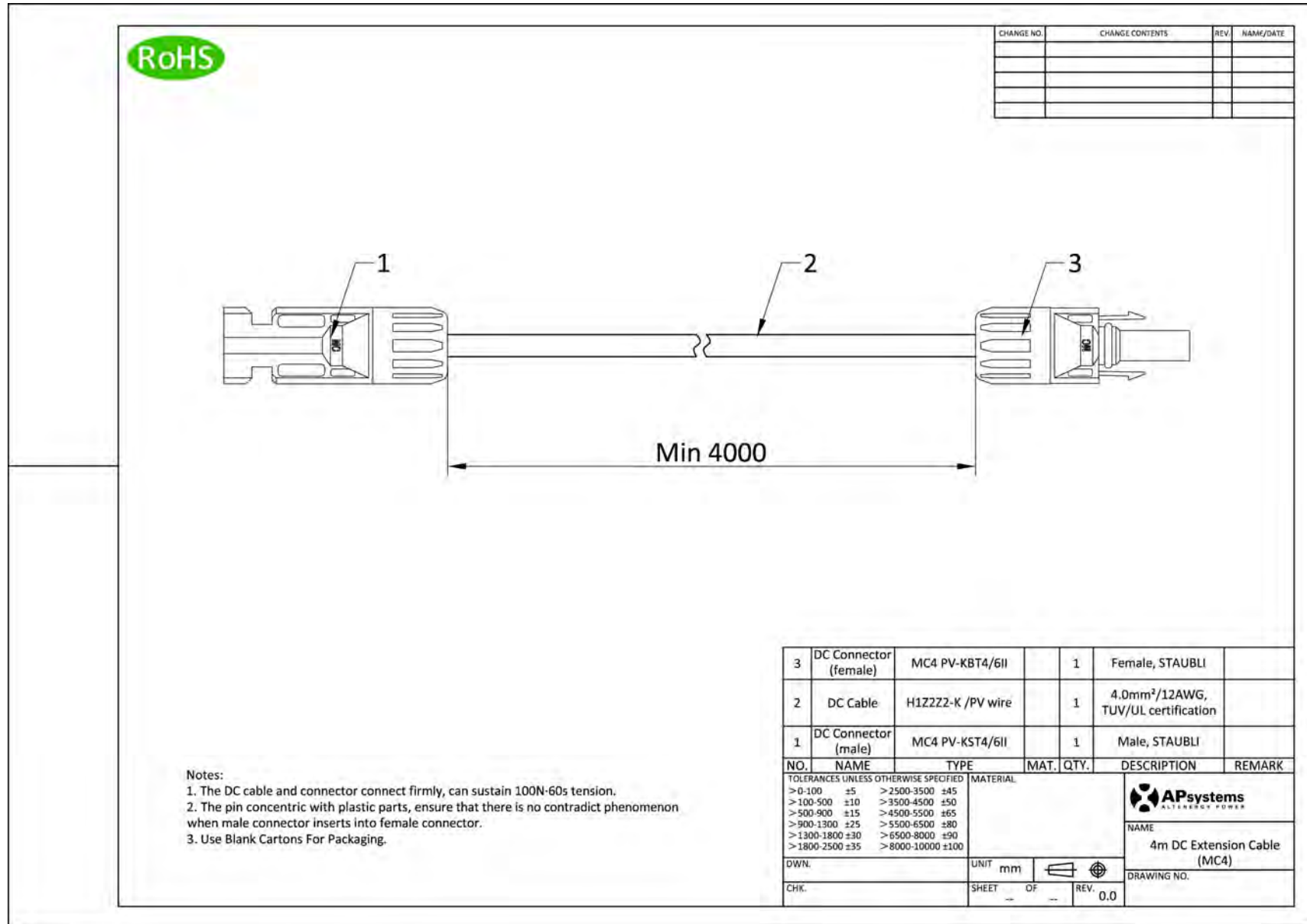
Notes: The cables in this table are recommended by APsystems, and the O.D. and length of the cable can be customized according to customer needs.

4. Physical Picture

Bus Cable	AC Branch Extension Cable	Bus Cable End Cap	Bus Cable CONN Cap	Bus Cable Unlock Tool	DC Male Connector Cap
 <p data-bbox="197 576 271 600">Pic. A</p>	 <p data-bbox="544 576 618 600">Pic. B</p>	 <p data-bbox="891 576 965 600">Pic. C</p>	 <p data-bbox="1238 576 1312 600">Pic. D</p>	 <p data-bbox="1585 576 1659 600">Pic. E</p>	 <p data-bbox="1933 576 2007 600">Pic. F</p>
DC Female Connector Cap	AC Connector (Male)	AC Connector (Female)	DC Extension Cable		
 <p data-bbox="197 999 271 1023">Pic. G</p>	 <p data-bbox="544 999 618 1023">Pic. H</p>	 <p data-bbox="891 999 965 1023">Pic. I</p>	 <p data-bbox="1238 999 1312 1023">Pic. J</p>		

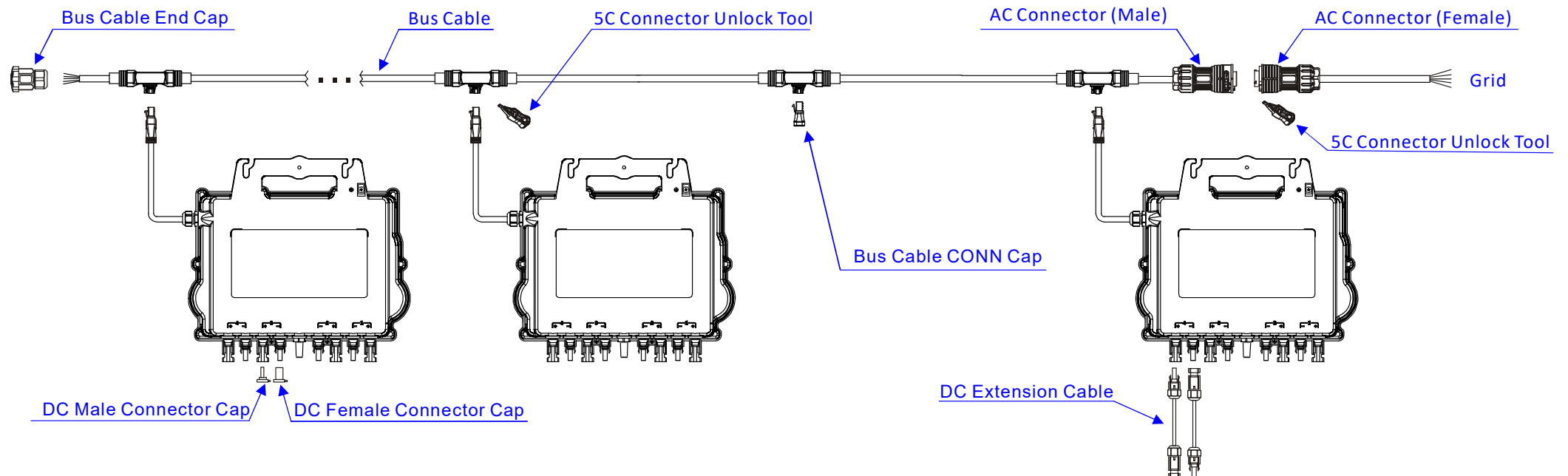
5. Accessories information

2310370236_4m DC Extension Cable (MC4)

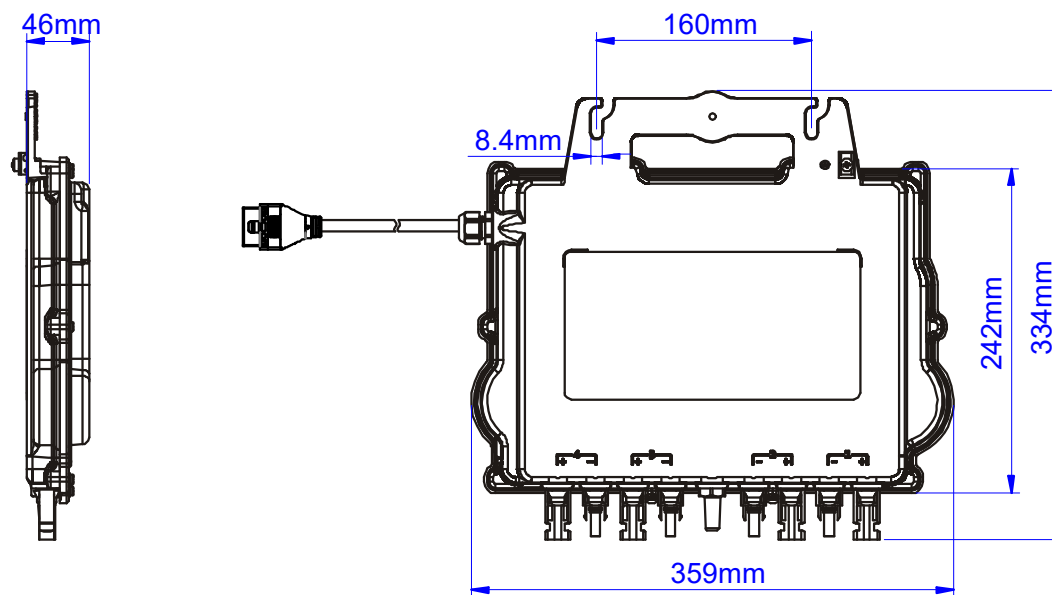


QT2 Accessories

1. Wiring Diagram



2. QT2 Dimensions



APsystems

APsystems Mexico:
Av. Lázaro Cárdenas #3422 int 604, Col. Chapalita.,
Zapopan, Jalisco. C.P. 45040. México
latam.APsistemas.com










3. Accessories Summary

Region		Accessories								
		Bus Cable (Mandatory)	Bus Cable End Cap (Mandatory)	Bus Cable CONN Cap (Optional)	5C Connector Unlock Tool (Mandatory)	DC Male Connector Cap (Optional)	DC Female Connector Cap (Optional)	AC Connector (Male) (Optional)	AC Connector (Female) (Optional)	DC Extension Cable (Optional)
LATAM	Mexico -MX (124031)	2322604502_3-phase 5C Bus Cable (12AWG,TC,2.4m) (See Pic. A)	2062050002_ 5-wire Bus Cable End Cap (See Pic. B)	2061252032_ 5-wire Bus Cable T-CONN Cap (See Pic. C)	2353000002_ 5C Connector Unlock Tool (See Pic. D)	2060401006_DC Male Connector Cap (MC4) (See Pic. E)	2060402006_DC Female Connector Cap (MC4) (See Pic. F)	2301511002_ AC Connector (5C,40A,male) (See Pic. G)	2301512002_ AC Connector (5C,40A,female) (See Pic. H)	2310310274_1m DC Extension Cable (MC4) 2310360214_2m DC Extension Cable (MC4) 2310360224_3m DC Extension Cable (MC4) 2310370236_4m DC Extension Cable (MC4) (See Pic. I)
		2322404502_3-phase 5C Bus Cable (12AWG,TC,4m) (See Pic. A)								
		2322904502_3-phase 5C Bus Cable (12AWG,TC,4.6m) (See Pic. A)								
		2322609202_3-phase 5C Bus Cable(10AWG,TC,2.4m) (See Pic. A)								
		2322909202_3-phase 5C Bus Cable (10AWG,TC,4.6m) (See Pic. A)								
	Brazil -220-BR (124011)	2322404852_5C Bus Cable (2.5mm ² ,4m, BN-BK-GY-BU-YG) (See Pic. A)								
		2322555602_3-phase 5C Bus Cable (2.5mm ² ,H07,5.5m) (See Pic. A)								
		2322289182_3-phase 5C Bus Cable(4mm ² ,H07,2.8m) (See Pic. A)								
		2322559192_3-phase 5C Bus Cable (4mm ² ,H07,5.5m) (See Pic. A)								

Notes: The cables in this table are recommended by APsystems, and the O.D. and length of the cable can be customized according to customer needs.

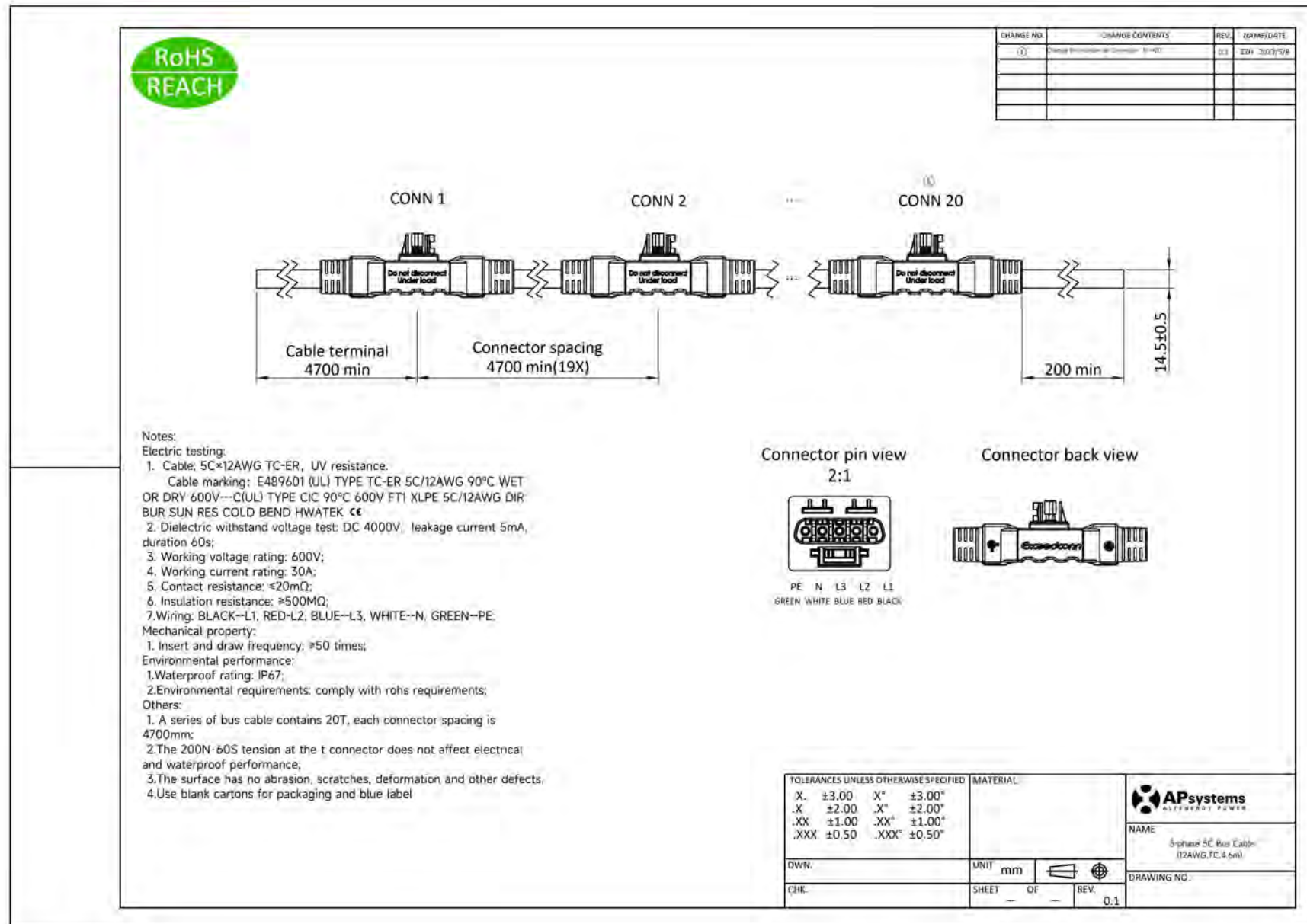
Zapopan, Jalisco. C.P. 45040. Mexico
latam.APsistemas.com

4. Physical Picture

Bus Cable	Bus Cable End Cap	Bus Cable CONN Cap	5C Connector Unlock Tool	DC Male Connector Cap	DC Female Connector Cap
 <p data-bbox="215 568 282 592">Pic. A</p>	 <p data-bbox="562 568 629 592">Pic. B</p>	 <p data-bbox="909 568 976 592">Pic. C</p>	 <p data-bbox="1245 568 1312 592">Pic. D</p>	 <p data-bbox="1597 568 1664 592">Pic. E</p>	 <p data-bbox="1939 568 2007 592">Pic. F</p>
AC Connector (Male)	AC Connector (Female)	DC Extension Cable			
 <p data-bbox="215 991 282 1015">Pic. G</p>	 <p data-bbox="562 991 629 1015">Pic. H</p>	 <p data-bbox="909 991 976 1015">Pic. I</p>			

5. Accessories information

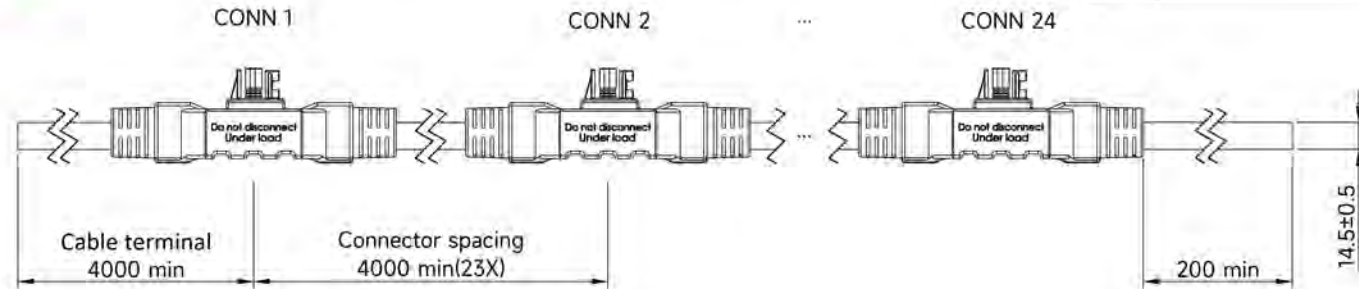
2322904502_3-phase 5C Bus Cable(12AWG,TC,4.6m)



2322404502_3-phase 5C Bus Cable (12AWG,TC,4m)



CHANGE NO.	CHANGE CONTENTS	REV.	TIME/DATE



Notes:

Electric testing:

- 1.Cable: 5C×12AWG TC-ER, UV resistance.
Cable marking: E489601 (UL) TYPE TC-ER 5C/12AWG 90°C WET OR DRY 600V—C(UL) TYPE CIC 90°C 600V FT1 XLPE 5C/12AWG DIR BUR SUN RES COLD BEND HWATEK ☺
- 2.Dielectric withstand voltage test: DC 4000V, leakage current 5mA, duration 60s;
- 3.Working voltage rating: 600V;
- 4.Working current rating: 30A;
- 5.Contact resistance: ≤20mΩ;
- 6.Insulation resistance: ≥500MΩ;
- 7.Wiring: BLACK--L1, RED-L2, BLUE--L3, WHITE--N, GREEN--PE;

Mechanical property:

- 1.Insert and draw frequency: ≥50 times;

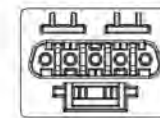
Environmental performance:

- 1.Waterproof rating: IP67;
- 2.Environmental requirements: comply with rohs requirements;

Others:

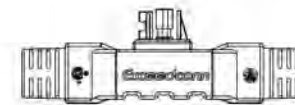
1. A series of bus cable contains 24T, each connector spacing is 4000mm;
- 2.The 200N·60S tension at the t connector does not affect electrical and waterproof performance;
- 3.The surface has no abrasion, scratches, deformation and other defects.
- 4.Use blank cartons for packaging and blue label

Connector pin view
2:1



PE N L3 L2 L1
GREEN WHITE BLUE RED BLACK

Connector back view



TOLERANCES UNLESS OTHERWISE SPECIFIED		MATERIAL	
X	±3.00	X*	±3.00*
X	±2.00	X*	±2.00*
XX	±1.00	XX*	±1.00*
XXX	±0.50	XXX*	±0.50*



NAME
3-phase 5C Bus Cable
(12AWG,TC,4m)

DWN.	UNIT	mm	
CHK.	SHEET	OF	REV. 0.0

stems

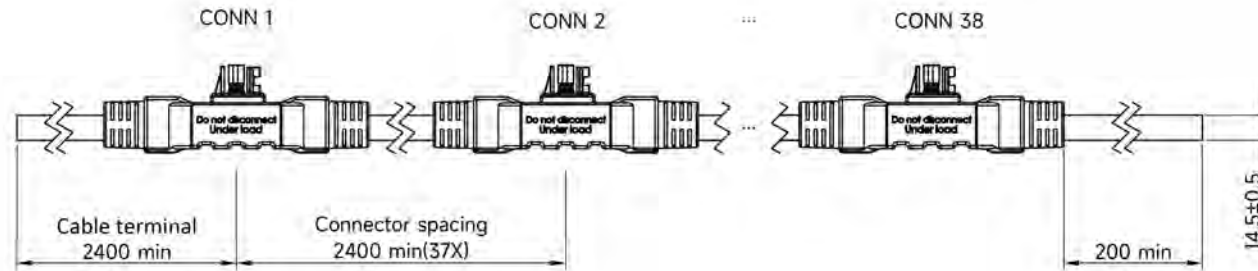
ns Mexico:
Chapalita.,
40. México

latam.APsystems.com

2322604502_3-phase 5C Bus Cable (12AWG,TC,2.4m)



CHANGE NO.	CHANGE CONTENTS	REV.	NAME/DATE



Notes:

Electric testing:

1. Cable: 5C×12AWG TC-ER, UV resistance.
Cable marking: E489601 (UL) TYPE TC-ER 5C/12AWG 90°C WET OR DRY 600V---C(UL) TYPE CIC 90°C 600V FT1 XLPE 5C/12AWG DIR BUR SUN RES COLD BEND HWATEK \llcorner
2. Dielectric withstand voltage test: DC 4000V, leakage current 5mA, duration 60s;
3. Working voltage rating: 600V;
4. Working current rating: 30A;
5. Contact resistance: $\leq 20\text{m}\Omega$;
6. Insulation resistance: $\geq 500\text{M}\Omega$;
7. Wiring: BLACK--L1, RED-L2, BLUE--L3, WHITE--N, GREEN--PE;

Mechanical property:

1. Insert and draw frequency: ≥ 50 times;

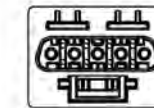
Environmental performance:

1. Waterproof rating: IP67;
2. Environmental requirements: comply with rohs requirements;

Others:

1. A series of bus cable contains 38T, each connector spacing is 2400mm;
2. The 200N-60S tension at the connector does not affect electrical and waterproof performance;
3. The surface has no abrasion, scratches, deformation and other defects.
4. Use blank cartons for packaging and blue label

Connector pin view
2:1



PE N L3 L2 L1
(GREEN WHITE BLUE RED BLACK)

Connector back view



TOLERANCES UNLESS OTHERWISE SPECIFIED		MATERIAL		
X.	± 3.00	X"	$\pm 3.00^{\circ}$	
X	± 2.00	X"	$\pm 2.00^{\circ}$	3-phase 5C Bus Cable (12AWG,TC,2.4m)
.XX	± 1.00	.XX"	$\pm 1.00^{\circ}$	DRAWING NO.
.XXX	± 0.50	.XXX"	$\pm 0.50^{\circ}$	
DWN.	UNIT	mm		
CHK.	SHEET	OF	REV.	0.0

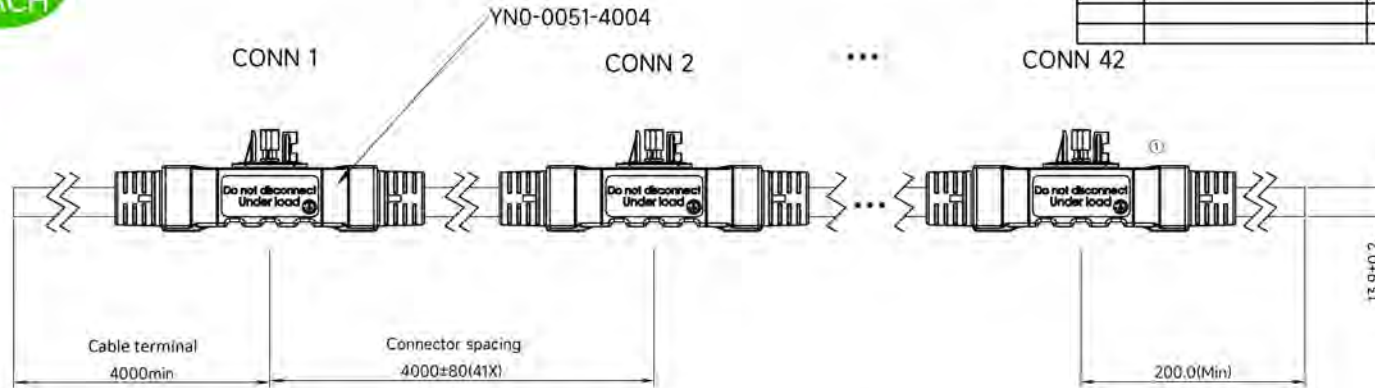
tems

Mexico:
iapalita.,
México
tems.com

2322404852_5C Bus Cable(2.5mm²,4m,BN-BK-GY-BU-YG)

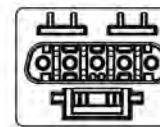


CHANGE NO.	CHANGE CONTENTS	REV.	NAME/DATE



NOTE:
ELECTRIC TESTING:
 1. CABLE: 5C×2.5mm² H07RN-F, VDE CERTIFICATION, UV RESISTANCE.
 CABLE MARKING: -VDE- H07RN-F 5G2.5mm² Wuhu Junhe Wire & Cable Co., Ltd. 450/750V
 2. DIELECTRIC WITHSTAND VOLTAGE TEST: DC4000V, LEAKAGE CURRENT 5mA, DURATION 60S;
 3. CABLE RATED CURRENT: 23A; Connector INPUT RATED CURRENT: 5A;
 4. CONTACT RESISTANCE: ≤20mΩ;
 5. INSULATION RESISTANCE: ≥500MΩ;
 6. WIRING: BROWN--L1, BLACK--L2, GRAY--L3, BLUE--N, YELLOW/GREEN--PE;
MECHANICAL PROPERTY:
 1. INSERT AND DRAW FREQUENCY: ≥50 TIMES;
ENVIRONMENTAL PERFORMANCE:
 1. WATERPROOF RATING: IP67;
 2. ENVIRONMENTAL REQUIREMENTS: COMPLY WITH ROHS REQUIREMENTS;
Others:
 1. A SERIES OF BUS CABLE CONTAINS 42 Connectors, EACH Connector SPACING IS 4000mm;
 2. THE 200N-60S TENSION AT THE T HEAD DOES NOT AFFECT ELECTRICAL AND WATERPROOF PERFORMANCE;
 3. THE SURFACE HAS NO ABRASION, SCRATCHES, DEFORMATION AND OTHER DEFECTS.

CONNECTOR PIN VIEW



2:1

CONNECTOR BACK VIEW



WIRE RUN LIST	
WIRE COLOR	CONNECTOR
BROWN	L1
BLACK	L2
GRAY	L3
BLUE	N
YELLOW/GREEN	PE
N	

TOLERANCES UNLESS OTHERWISE SPECIFIED		MATERIAL
X ± 3.00	X' ± 3.00	
.X ± 2.00	.X' ± 3.00	
.XX ± 1.00	.XX' ± 3.00	
.XXX ± 0.50	.XXX' ± 0.50	




NAME
5C Bus Cable
(2.5mm²,4m,BN-BK-GY-BU-YG)

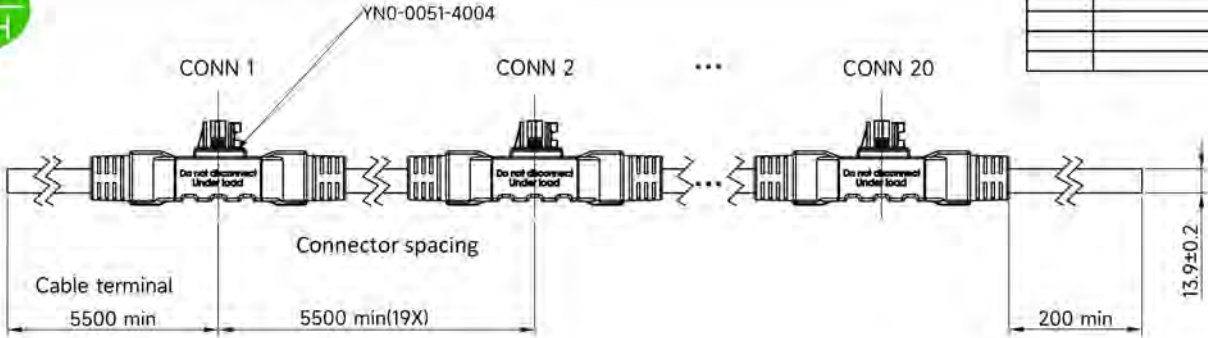
DWN:	UNIT	mm	REV.	0.0
CHK:	SHEET	OF		

DRAWING NO.

APsystems
 APsystems Mexico:
 Chapalita,
 140. México
 /systems.com

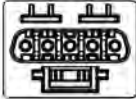
2322555602_3-phase 5C Bus Cable (2.5mm², H07,5.5m)






CHANGE NO.	CHANGE CONTENTS	REV.	NAME/DATE

Connector pin view
2:1



PE N L3 L2 L1
YELLOW/GREEN BLUE GRAY BLACK BROWN

Connector back view



NOTES:

Electric testing:

- CABLE :5C×2.5mm² H07RN-F. VDE certification, UV resistance.
CABLE MARKING: <VDE> H07RN-F 5G2.5mm² Wuhu Junhe Wire & Cable Co.,Ltd.450/750V
- Dielectric withstand voltage test: DC 4000V, leakage current 5mA, duration 60s;
- Contact resistance: ≤20mΩ;
- Insulation resistance: ≥500MΩ;
- Wiring: BROWN--L1, BLACK--L2, GRAY--L3, BLUE--N, YELLOW/GREEN--PE;

Mechanical property:

- Insert and draw frequency: ≥50 times;

Environmental performance:


- Waterproof rating: IP67;
- Environmental requirements: comply with rohs requirements;

Others:

- A series of bus cable contains 20T, each connector spacing is 5500mm;
- The 200N-60S tension at the t connector does not affect electrical and waterproof performance;
- The surface has no abrasion, scratches, deformation and other defects.
- Use blank cartons for packaging and blue label


TOLERANCES UNLESS OTHERWISE SPECIFIED			
X.	±3.00	X"	±3.00"
X	±2.00	.X"	±2.00"
.XX	±1.00	.XX"	±.00"
.XXX	±0.50	.XXX"	±0.50"

MATERIAL:	



NAME
3-phase 5C Bus Cable
(2.5mm²,H07,5.5m)

DRAWING NO.

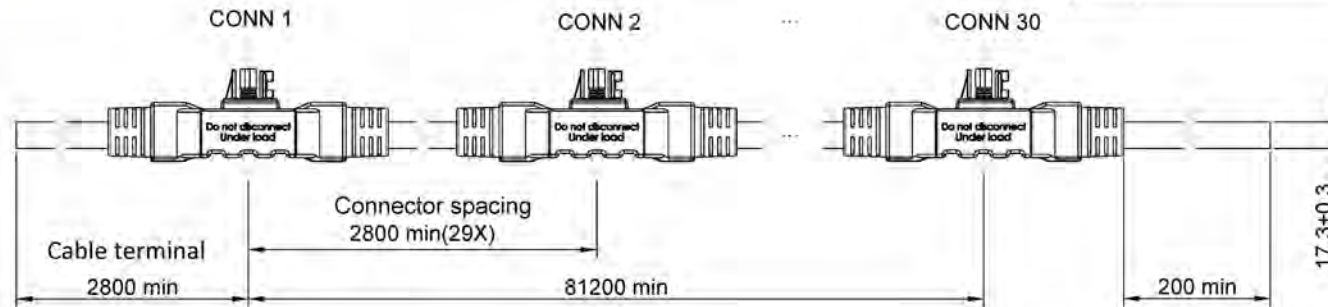
DWN.	UNIT	mm	
------	------	----	---

CHR.	SHEET	DF	REV.	0.1
------	-------	----	------	-----

2322289182_3-phase 5C Bus Cable (4mm², H07, 2.8m)

RoHS

CHANGE NO.	CHANGE CONTENTS	REV.	NAME/DATE



Notes:

Electric testing:

1. Cable: 5C×4mm² H07RN-F, UV resistance.
Cable marking: 60245IEC66(YCW) 450/750V 5×4MM2 -VDE-
H07RN-F 5G4MM2
SUMTUNG CABLE TECHNOLOGY CO.,LTD. -LF-
2. Dielectric withstand voltage test: DC 4000V, leakage current 5mA, duration 60s;
3. Working voltage rating: 600V;
4. Working current rating: 30A;
5. Contact resistance: ≤20mΩ;
6. Insulation resistance: ≥500MΩ;
7. Wiring: BROWN--L1, BLACK--L2, GRAY--L3, BLUE--N, YELLOW/GREEN--PE;

Mechanical property:

1. Insert and draw frequency: ≥50 times;

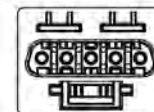
Environmental performance:

1. Waterproof rating: IP67;
2. Environmental requirements: comply with rohs requirements;

Others:

1. A series of bus cable contains 30T, each connector spacing is 2800mm;
2. The 200N·60S tension at the t connector does not affect electrical and waterproof performance;
3. The surface has no abrasion, scratches, deformation and other defects.
4. Use blank cartons for packaging and blue label

Connector pin view
2:1



PE N L3 L2 L1
YELLOW/GREEN BLUE GRAY BLACK BROWN

Connector back view



TOLERANCES UNLESS OTHERWISE SPECIFIED		MATERIAL	
X	±3.00	X"	±3.00"
X	±2.00	X"	±2.00"
XX	±1.00	.XX"	±.00"
XXX	±0.50	.XXX"	±0.50"



NAME
3-phase 5C Bus Cable
(4mm², H07, 2.8m)

DRAWING NO.

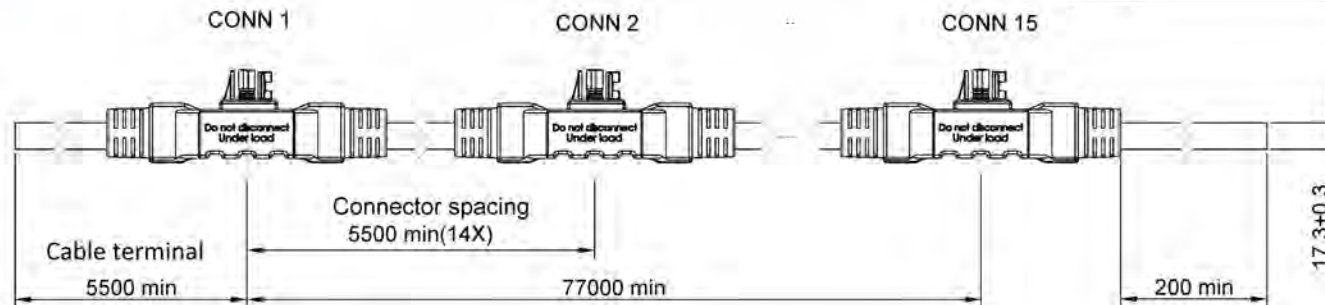
DWN.	UNIT	1/111	1	REV.	0.0
CHK.	SHEET	OF			

APsystems
ms Mexico:
Chapalita,
140. México
/systems.com

2322559192_3-phase 5C Bus Cable (4mm², H07, 5.5m)

RoHS

CHANGE NO.	CHANGE CONTENTS	REV.	NAME/DATE



Notes:

Electric testing:

1. Cable: 5C×4mm² H07RN-F, UV resistance.
Cable marking: 60245IEC66(YCW) 450/750V 5×4MM2
VDE: H07RN-F 5G4MM2
SUMTUNG CABLE TECHNOLOGY CO.,LTD. -LF-
2. Dielectric withstand voltage test: DC 4000V, leakage current 5mA, duration 60s;
3. Working voltage rating: 600V;
4. Working current rating: 30A;
5. Contact resistance: ≤20mΩ;
6. Insulation resistance: ≥500MΩ;
7. Wiring: BROWN--L1, BLACK--L2, GRAY--L3, BLUE--N, YELLOW/GREEN--PE;

Mechanical property:

1. Insert and draw frequency: ≥50 times;

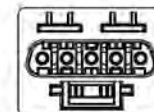
Environmental performance:

1. Waterproof rating: IP67;
2. Environmental requirements: comply with rohs requirements;

Others:

1. A series of bus cable contains 15T, each connector spacing is 5500mm;
2. The 200N·60S tension at the t connector does not affect electrical and waterproof performance;
3. The surface has no abrasion, scratches, deformation and other defects.
4. Use blank cartons for packaging and blue label

Connector pin view
2:1



PE, N, L3, L2, L1
YELLOW/GREEN BLUE GRAY BLACK BROWN

Connector back view



TOLERANCES UNLESS OTHERWISE SPECIFIED		MATERIAL
.X. ±3.00	.X" ±3.00"	
.X ±2.00	.X" ±2.00"	
.XX ±1.00	.XX" ±.00"	
.XXX ±0.50	.XXX" ±0.50"	
DWN.	UNIT: mm	
CHK.	SHEET OF REV. 0.0	



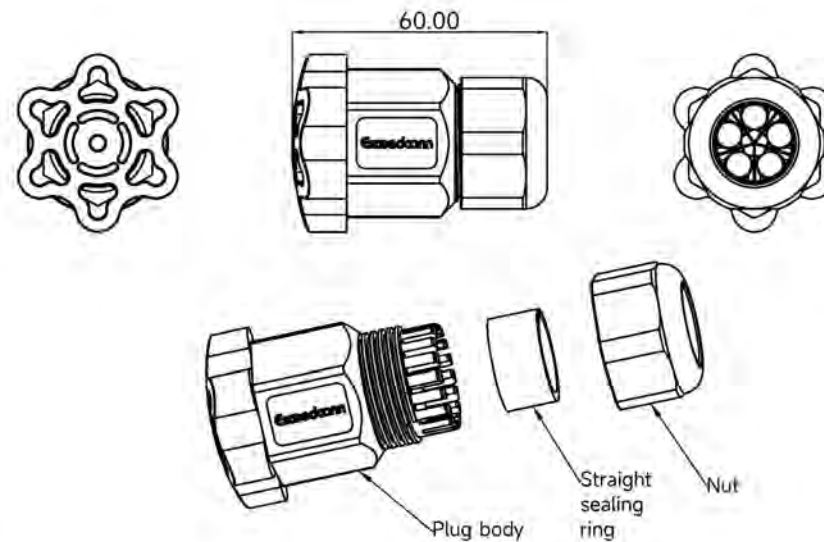
NAME
3-phase 5C Bus Cable
4mm² H07, 5.5m
DRAWING NO.

APsystems
APsystems Mexico:
Chapalita,
J40. México
apsystems.com

2062050002_5-wire Bus Cable End Cap

RoHS

CHANGE NO.	CHANGE CONTENTS	REV.	NAME/DATE



- Notes:
- Mechanical property:
 - 1. Cable Gauge:14-17.5mm
 - Environmental performance:
 - 1. Protection class: IP68 1m-2H(After mating);
 - 2. Operating Temperature: -40°C-105°C
 - Others:
 - 1.Type No:EN050-1423-00


TOLERANCES (UNLESS OTHERWISE SPECIFIED)		MATERIAL	
X	±3.00	X ^o	±3.00 ^o
.X	±2.00	.X ^o	±2.00 ^o
.XX	±1.00	.XX ^o	±1.00 ^o
.XXX	±0.50	.XXX ^o	±0.50 ^o


DWN	UNIT	mm		
CHK.	SHEET	OF		

NAME	5-wire Bus Cable End Cap
DRAWING NO.	

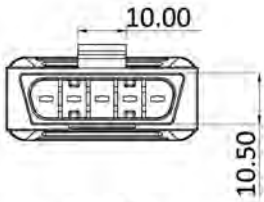
APsystems
 APsystems Mexico:
 . Chapalita.,
 040. México
 systems.com

2061252032_5-wire Bus Cable T-CONN Cap






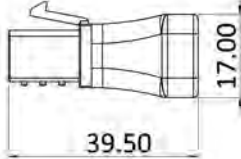
34.49
40.00



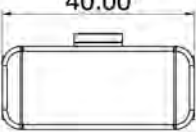
10.00
10.50



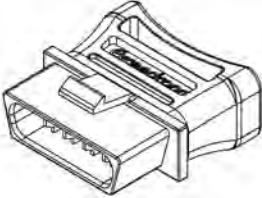
29.87



17.00
39.50



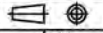
40.00




CHANGE NO.	CHANGE CONTENTS	REV.	NAME/DATE

Notes:

1. PART No.: MIH-1-01;
2. Waterproof Rate: IP67;
3. Mating Cycle: ≥50;
4. Part Retention Force: 100N;
5. Packaging: Blank Cartons

TOLERANCES UNLESS OTHERWISE SPECIFIED		MATERIAL	
X.	±2.00		
.X	±1.00		
.XX	±0.64		
.XXX	±0.38		
DWN.	UNIT	mm	
CHK.	SHEET	OF	REV. 0,0

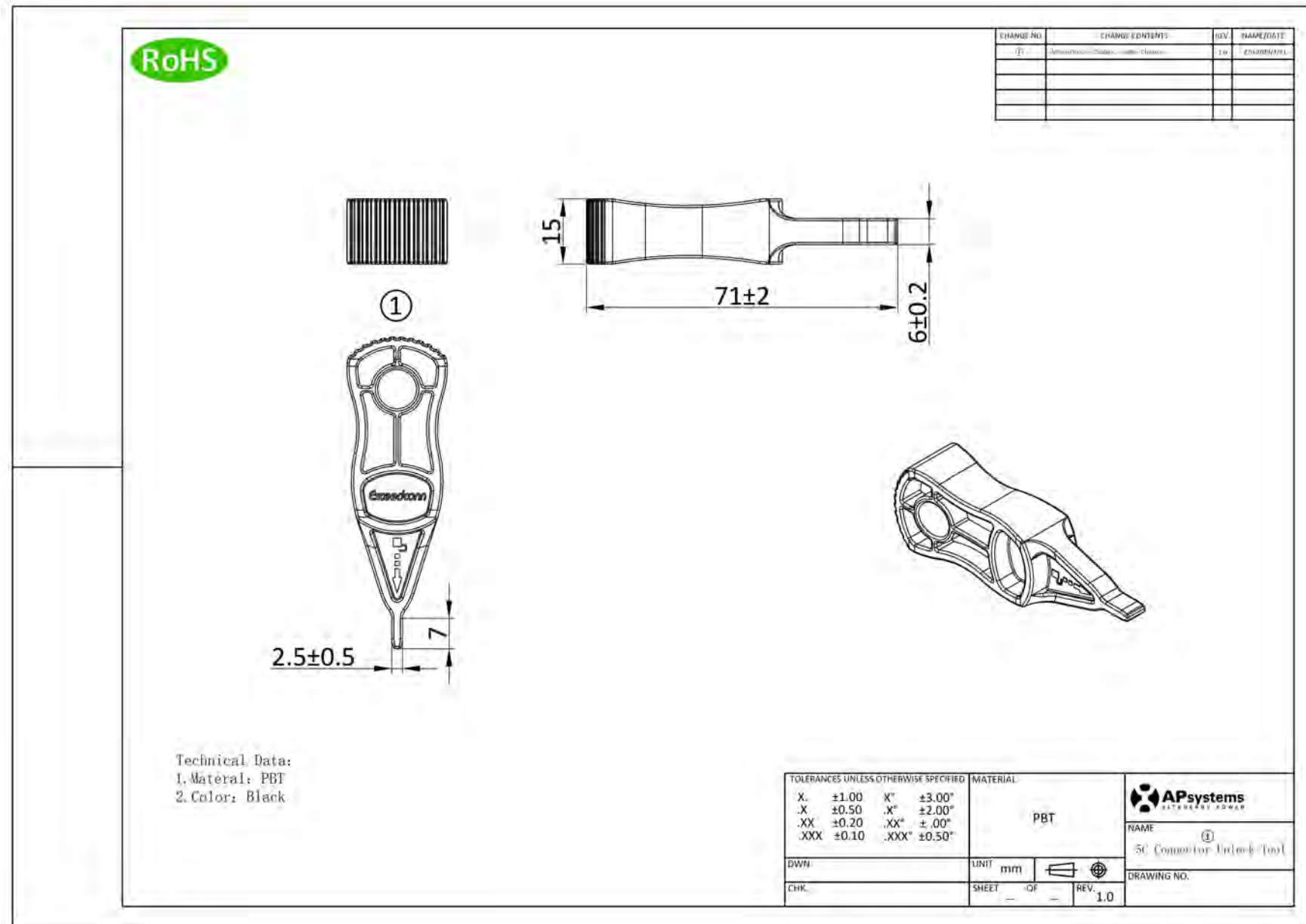


APsystems
ALTERNITY FREE

NAME
5-Wire Bus Cable T-CONN Cap

DRAWING NO.
-

235300002_5C Connector unlock tool



APsystems
 APsystems Mexico:
 Chapalita,
 040. México
 latam.APsystems.com

2301511002_AC Connector(5C,40A,male)

RoHS REACH

①
Instruction

①
Wrench

105.4Ref

①
A-A

①
Two seals
Seal inner diameter $\phi 21$ (black)
For cable size:4mm² or 10AWG
Seal inner diameter $\phi 16$ (grey)
For cable size:2.5mm² or 14AWG

CHANGE NO.	CHANGE CONTENTS	REV.	NAME/DATE
①	ADD INSTRUCTION	0.1	ZJH 2023-9-23

Notes:

Electric testing:

- 1.Rated Voltage:600V;
- 2.Rated Current:40A;
- 3.Contact Resistance: $\leq 50\text{m}\Omega$;
- 4.Dielectric Withstanding Voltage:3000V
- 5.Insulation resistance: $\geq 500\text{M}\Omega$;

Mechanical property:

- 1.Mating Cycle: ≥ 500 次;
- 2.Cable Gauge:2.5-10mm²

Environmental performance:

- 1.Protection level: IP67 1m-30min(After mating);
- 2.Operating Temperature: -40°C~105°C

Others:

- 1.Type No:EN200-2105-101-02
- 2.Packaging: Blank Cartons

TOLERANCES UNLESS OTHERWISE SPECIFIED			
x	± 1.00	x	$\pm 3.00^{\circ}$
x	± 0.50	x	$\pm 2.00^{\circ}$
>XX	± 0.20	>XX	$\pm 1.00^{\circ}$
>XXX	± 0.10	>XXX	$\pm 0.50^{\circ}$

MATERIAL	

DWN.	UNIT	mm	
CHK.	SHEET	OF	

REV.	0.1
------	-----

NAME
AC Connector (5C,40A,male)

DRAWING NO.

RoHS REACH

① Instruction

① Wrench

①

Two seals
Seal inner diameter $\phi 21$ (black)
For cable size:4mm² or 10AWG

Seal inner diameter $\phi 16$ (grey)
For cable size:2.5mm² or 14AWG

CHANGE NO.	CHANGE CONTENTS	REV.	NAME/DATE
①	NEW APPROVAL, NEW PART, JACQUES/2024	0.1	ZH/2023-8-20

Notes:

Electric testing:

- 1.Rated Voltage:600V;
- 2.Rated Current:40A;
- 3.Contact Resistance: $\leq 50m\Omega$;
- 4Dielectric Withstanding Voltage:3000V
- 5.Insulation resistance: $\geq 500M\Omega$;

Mechanical property:

- 1.Mating Cycle: ≥ 500 次;
- 2.Cable Gauge:2.5-10mm²

Environmental performance:

- 1.Protection level: IP67 1m-30min(After mating);
- 2.Operating Temperature: -40°C-105°C

Others:

- 1.Type No:EN200-2205-101
- 2.Packaging: Blank Cartons

TOLERANCES UNLESS OTHERWISE SPECIFIED		MATERIAL	
.x	± 1.00	x	$\pm 3.00^{\circ}$
.x	± 0.50	x	$\pm 2.00^{\circ}$
.xx	± 0.20	.xx	$\pm 1.00^{\circ}$
.xxx	± 0.10	.xxx	$\pm 0.50^{\circ}$

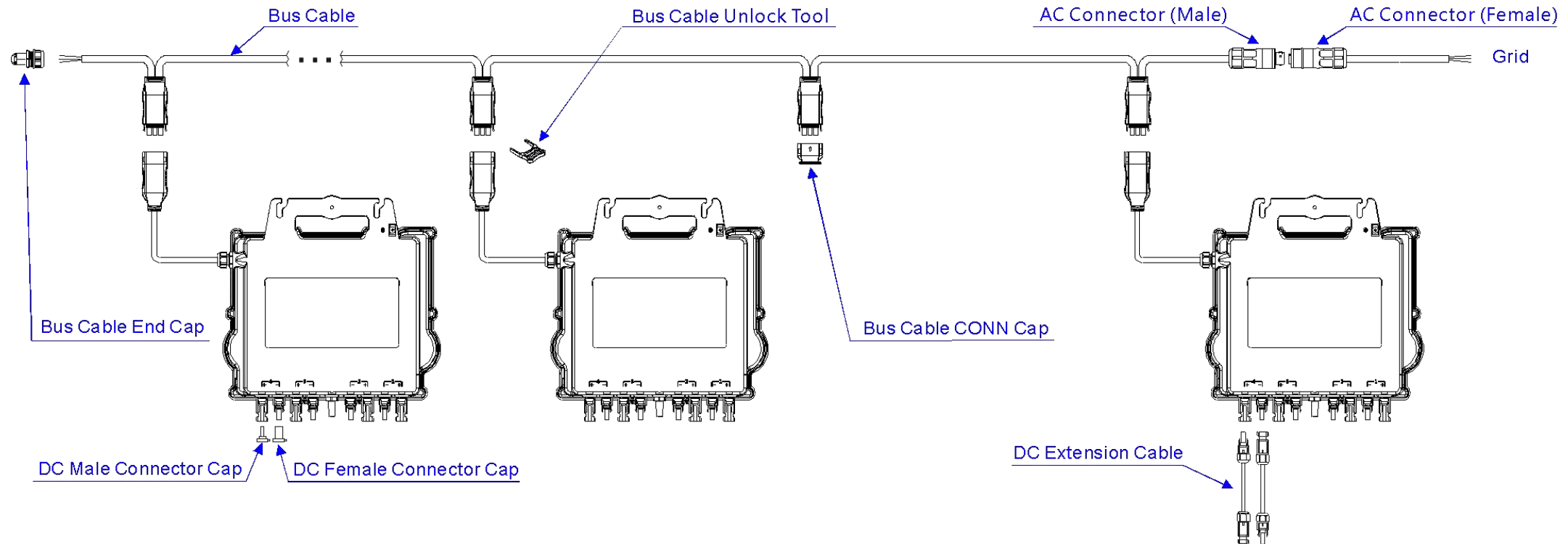
DWN.	UNIT	mm	
CHR.	SHEET	OF	REV. 0.1

NAME:
AC Connector (5C,40A,female)

DRAWING NO.:

QT2D Accessories

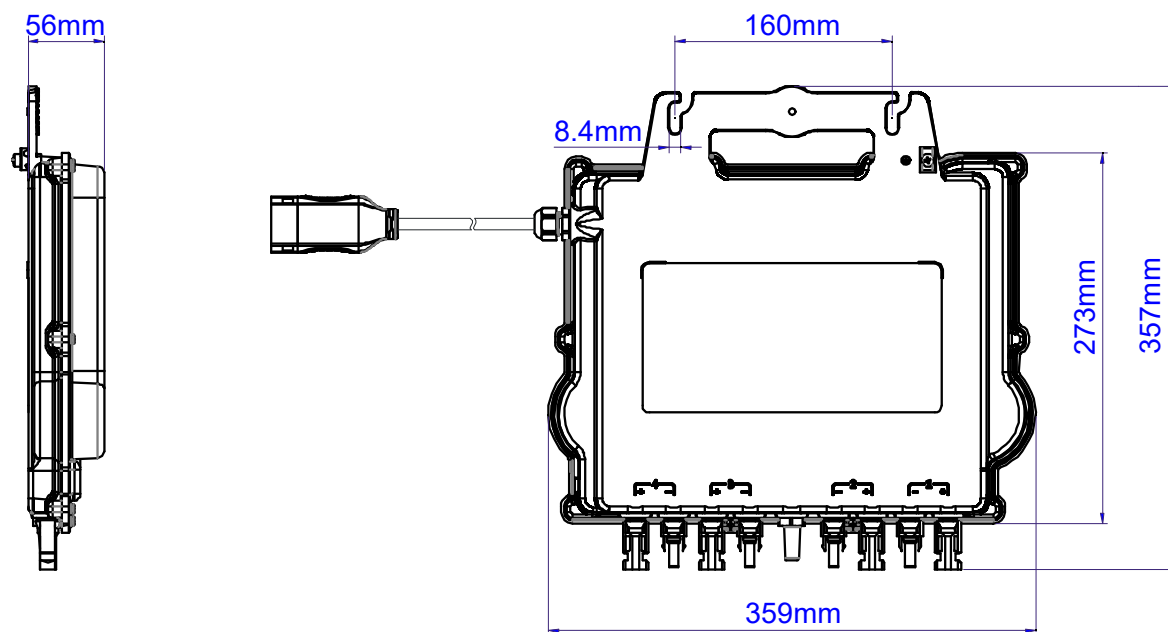
1. Wiring Diagram



APsystems

APsystems Mexico:
 Av. Lázaro Cárdenas #3422 int 604, Col. Chapalita.,
 Zapopan, Jalisco. C.P. 45040. México
latam.APsistemas.com

2. QT2D Dimensions



APsystems

APsystems Mexico:
Av. Lázaro Cárdenas #3422 int 604, Col. Chapalita.,
Zapopan, Jalisco. C.P. 45040. México
latam.APsistemas.com

3. Accessories Summary

Region	Accessories								
	Bus Cable (Mandatory)	Bus Cable End Cap (Mandatory)	Bus Cable CONN Cap (Optional)	Bus Cable Unlock Tool (Mandatory)	DC Male Connector Cap (Optional)	DC Female Connector Cap (Optional)	AC Connector (Male) (Optional)	AC Connector (Female) (Optional)	DC Extension Cable (Optional)
Brazil -BR (122006)	2322030813_ 3-phase Bus Cable(4mm ² , H07,5.5m) (See Pic. A)	2060700017_ 3-wire Bus Cable End Cap (See Pic. B)	2061702007_ Bus Cable Y-CONN Cap (See Pic. C)	2352000001_ Y Bus Cable Unlock Tool (See Pic. D)	2060401006_DC Male Connector Cap (MC4) (See Pic. E)	2060402006_DC Female Connector Cap (MC4) (See Pic. F)	2300931212_AC Connector (3 core, two seals, male) (See Pic. G)	2300932212_AC Connector (3 core, two seals, female) (See Pic. H)	2310310274_1m DC Extension Cable (MC4) 2310360214_2m DC Extension Cable (MC4) 2310360224_3m DC Extension Cable (MC4) 2310370236_4m DC Extension Cable (MC4) 2310370246_6m DC Extension Cable (MC4) (See Pic. I)

Notes: The cables in this table are recommended by APsystems, and the O.D. and length of the cable can be customized according to customer needs.

4. Physical Picture

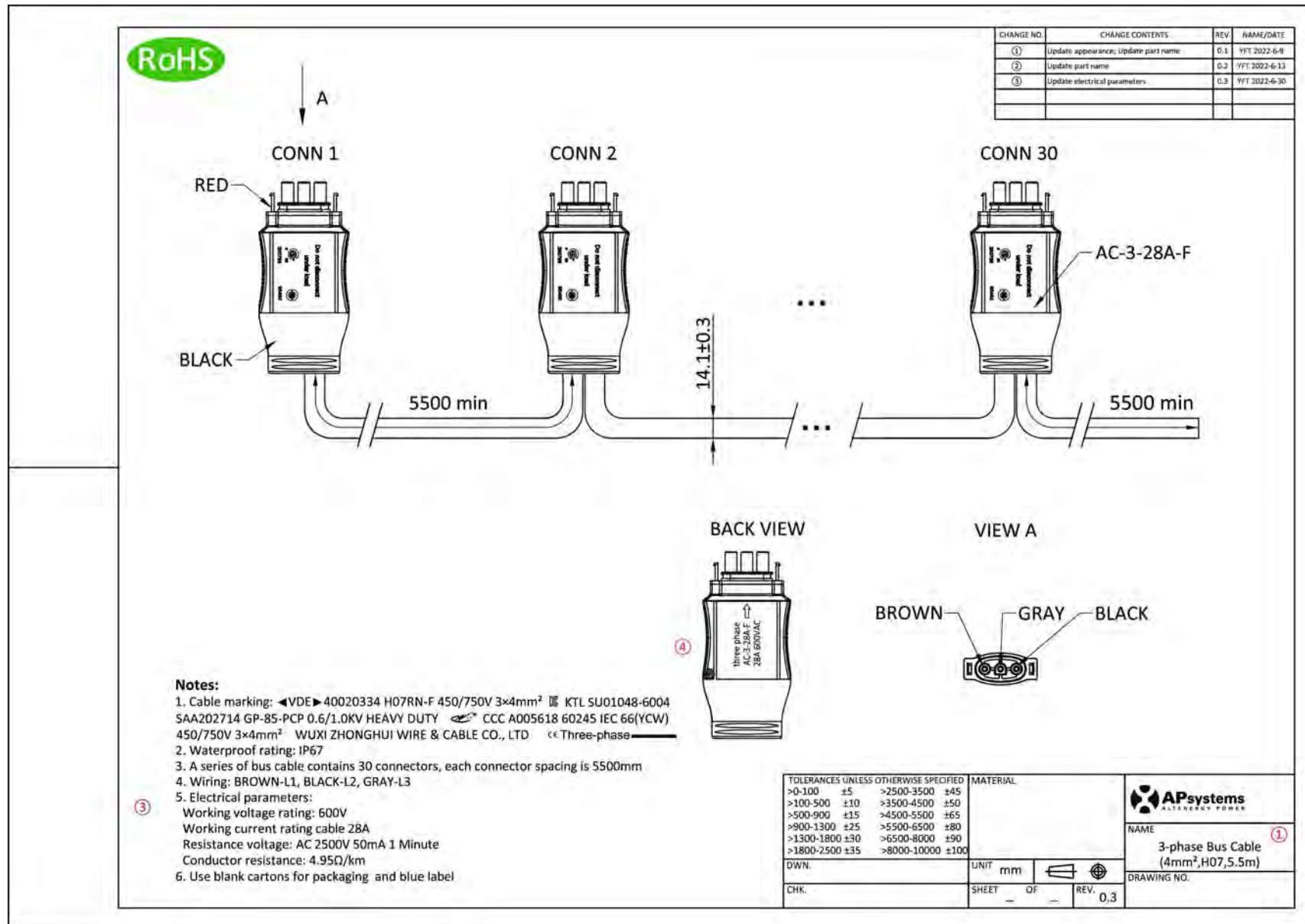
Bus Cable	Bus Cable End Cap	Bus Cable CONN Cap	Bus Cable Unlock Tool	DC Male Connector Cap	DC Female Connector Cap
 <p data-bbox="210 703 277 727">Pic. A</p>	 <p data-bbox="557 703 624 727">Pic. B</p>	 <p data-bbox="904 703 972 727">Pic. C</p>	 <p data-bbox="1249 703 1317 727">Pic. D</p>	 <p data-bbox="1594 703 1662 727">Pic. E</p>	 <p data-bbox="1944 703 2011 727">Pic. F</p>
AC Connector (Male)	AC Connector (Female)	DC Extension Cable			
 <p data-bbox="210 1123 277 1147">Pic. G</p>	 <p data-bbox="557 1123 624 1147">Pic. H</p>	 <p data-bbox="904 1123 972 1147">Pic. I</p>			

APsystems

APsystems Mexico:
 Av. Lázaro Cárdenas #3422 int 604, Col. Chapalita.,
 Zapopan, Jalisco. C.P. 45040. México
latam.APsistemas.com

5. Accessories information

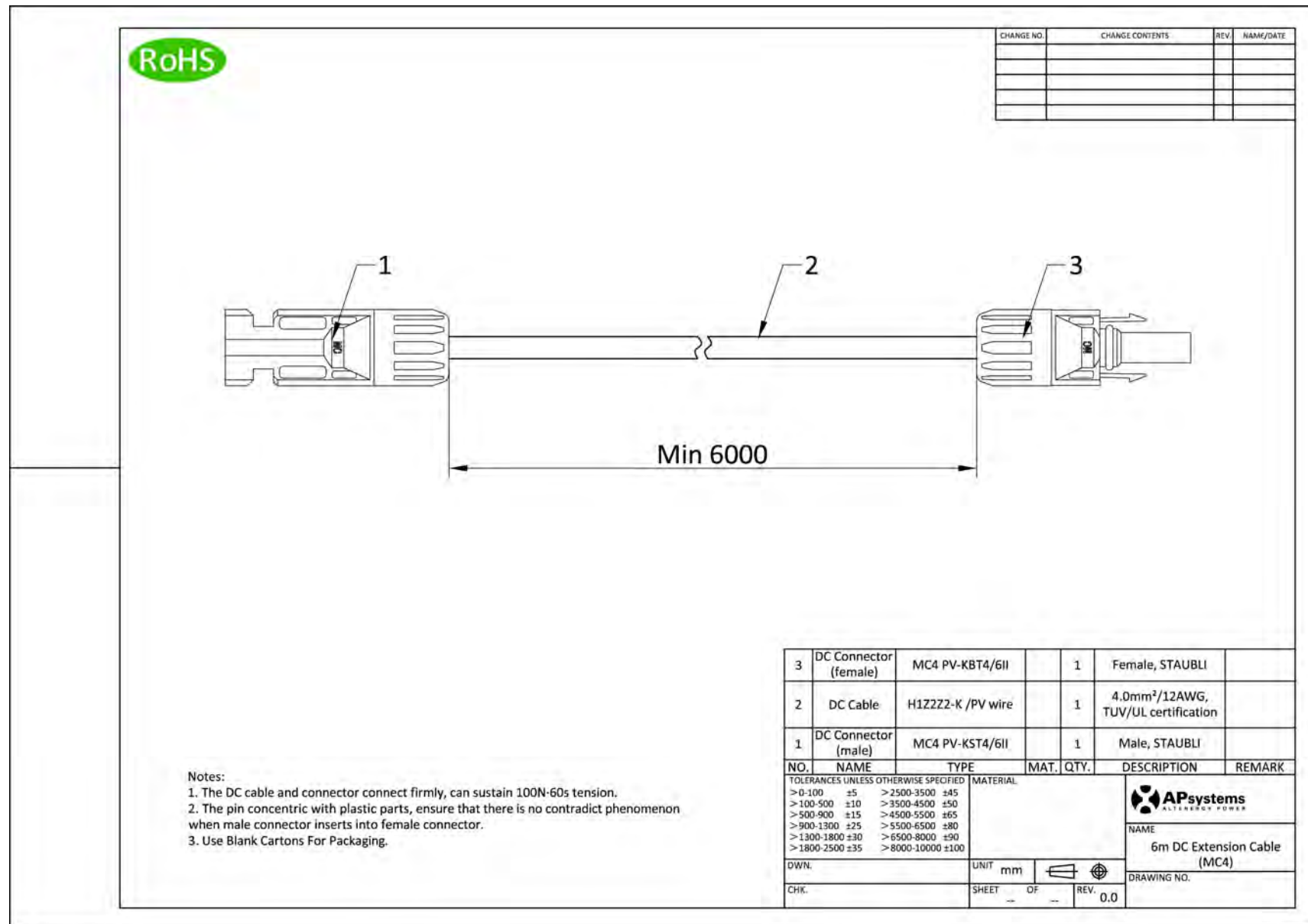
2322030813_3-phase Bus Cable(4mm²,H07,5.5m)



APsystems

APsystems Mexico:
604, Col. Chapalita.,
C.P. 45040. México
tam.APsistemas.com

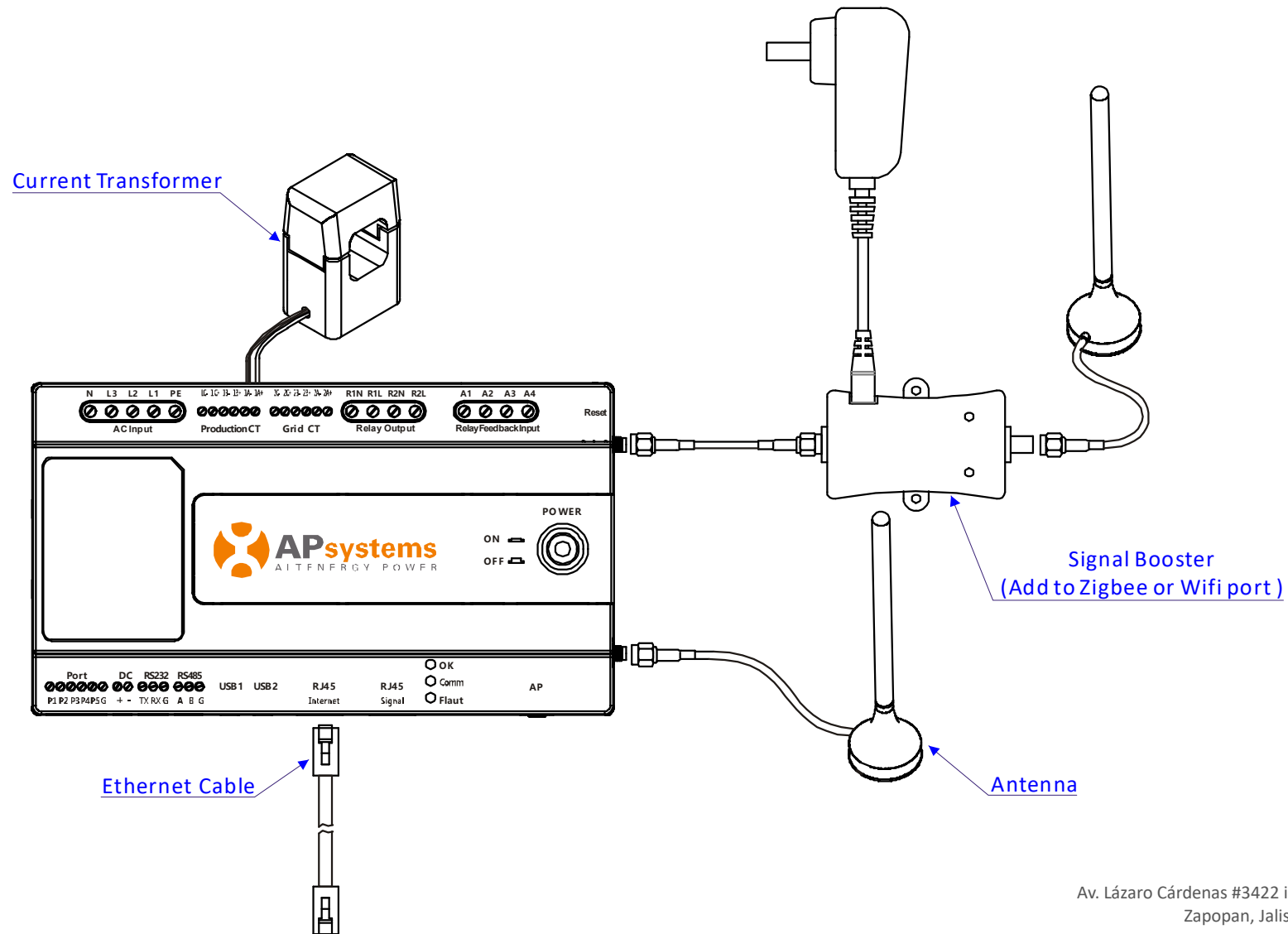
2310370246_6m DC Extension Cable (MC4)



Zapopan, Jalisco. C.P. 45040. México
latam.APsistemas.com

ECU-C Accessories

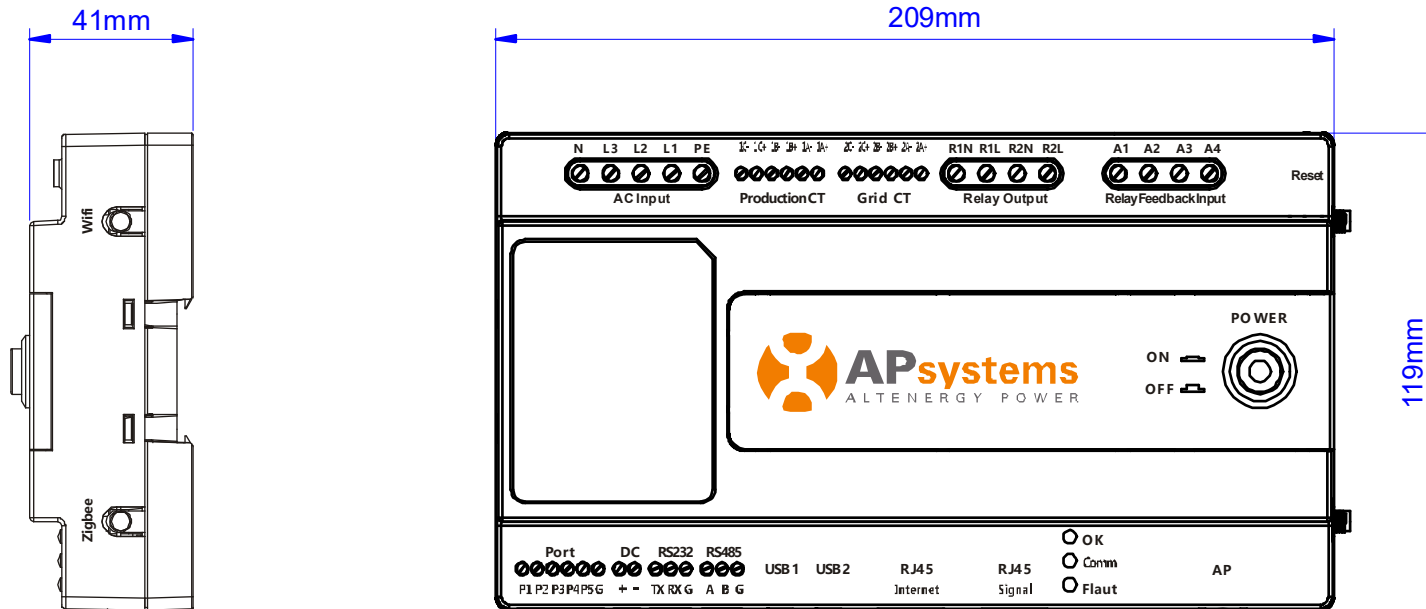
1. Wiring Diagram



APsystems

APsystems Mexico:
 Av. Lázaro Cárdenas #3422 int 604, Col. Chapalita.,
 Zapopan, Jalisco. C.P. 45040. México
latam.APsistemas.com

2. ECU-C Dimensions



APsystems


APsystems Mexico:
 Av. Lázaro Cárdenas #3422 int 604, Col. Chapalita.,
 Zapopan, Jalisco. C.P. 45040. México
latam.APsistemas.com

3. Accessories Summary

Region		Accessories			
		Antenna (Supply)	Ethernet Cable (Supply)	Current Transformer (Supply)	Signal Booster (Optional)
Mexico	-MX (205031)	Antenna with Suction Cap (See Pic. A)	Ethernet cable (See Pic. B)	Current Transformer (80A/26.6mA) (See Pic. C)	2376000003_Signal Booster (American Standard) (See Pic. E)
	-MX (205051)			Current Transformer (200A/66.6mA) (See Pic. D)	

Region		Accessories			
		Antenna (Supply)	Ethernet Cable (Supply)	Current Transformer (Optional)	Signal Booster (Optional)
Brazil		Antenna with Suction Cap (See Pic. A)	Ethernet cable (See Pic. B)	18083020112_Current Transformer (80A/26.6mA) (See Pic. C) 18083020012_Current Transformer (200A/66.6mA) (See Pic. D)	2376010003_Signal Booster (European Standard) (See Pic. E)

4. Physical Picture

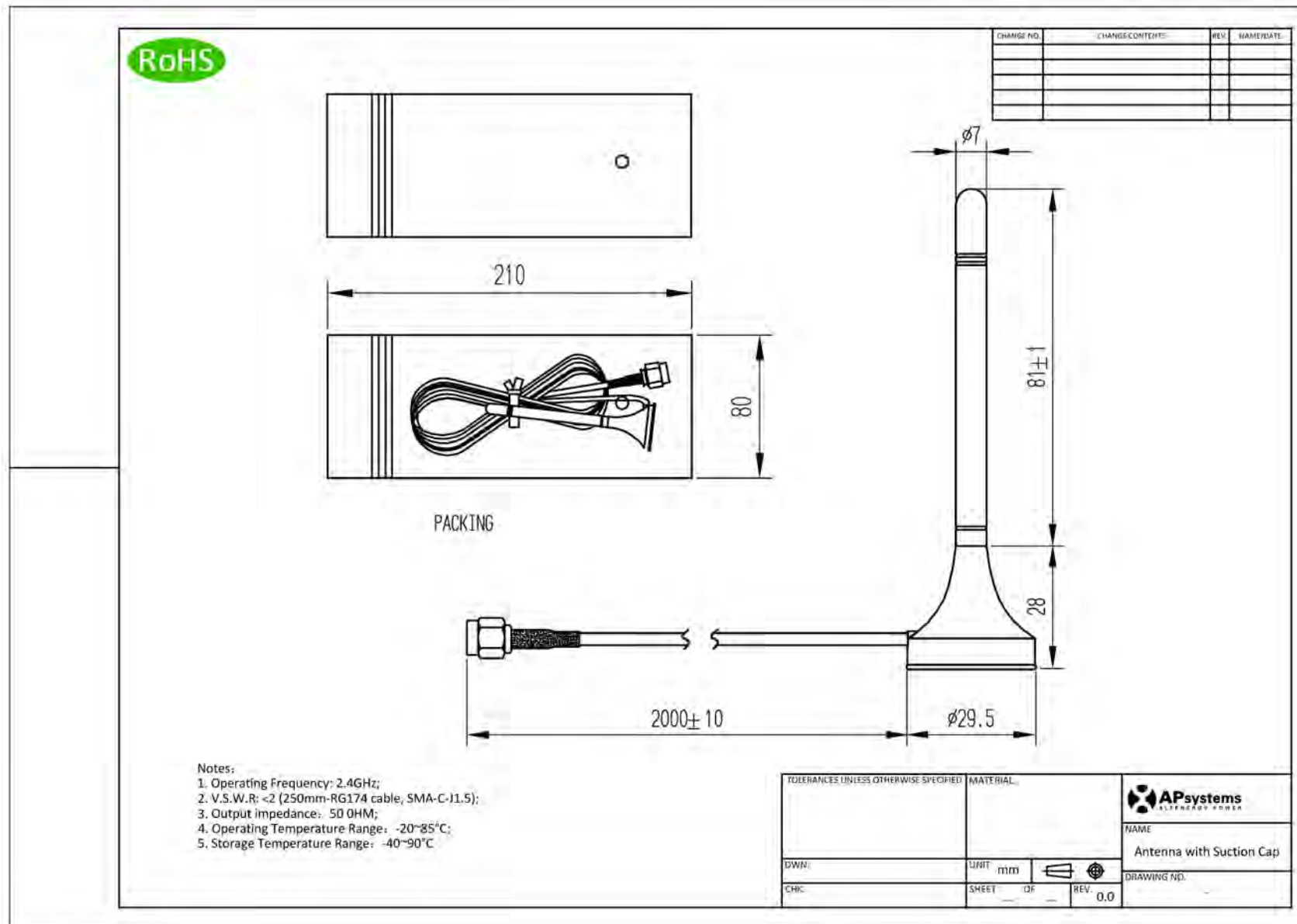
Antenna	Ethernet Cable	Current Transformer		Signal Booster
 <p data-bbox="288 774 353 798">Pic. A</p>	 <p data-bbox="696 774 761 798">Pic. B</p>	 <p data-bbox="1099 774 1164 798">Pic. C</p>	 <p data-bbox="1503 774 1568 798">Pic. D</p>	 <p data-bbox="1906 774 1971 798">Pic. E</p>

APsystems

APsystems Mexico:
 Av. Lázaro Cárdenas #3422 int 604, Col. Chapalita.,
 Zapopan, Jalisco. C.P. 45040. México
latam.APsistemas.com

5. Accessories information

Antenna with Suction Cap

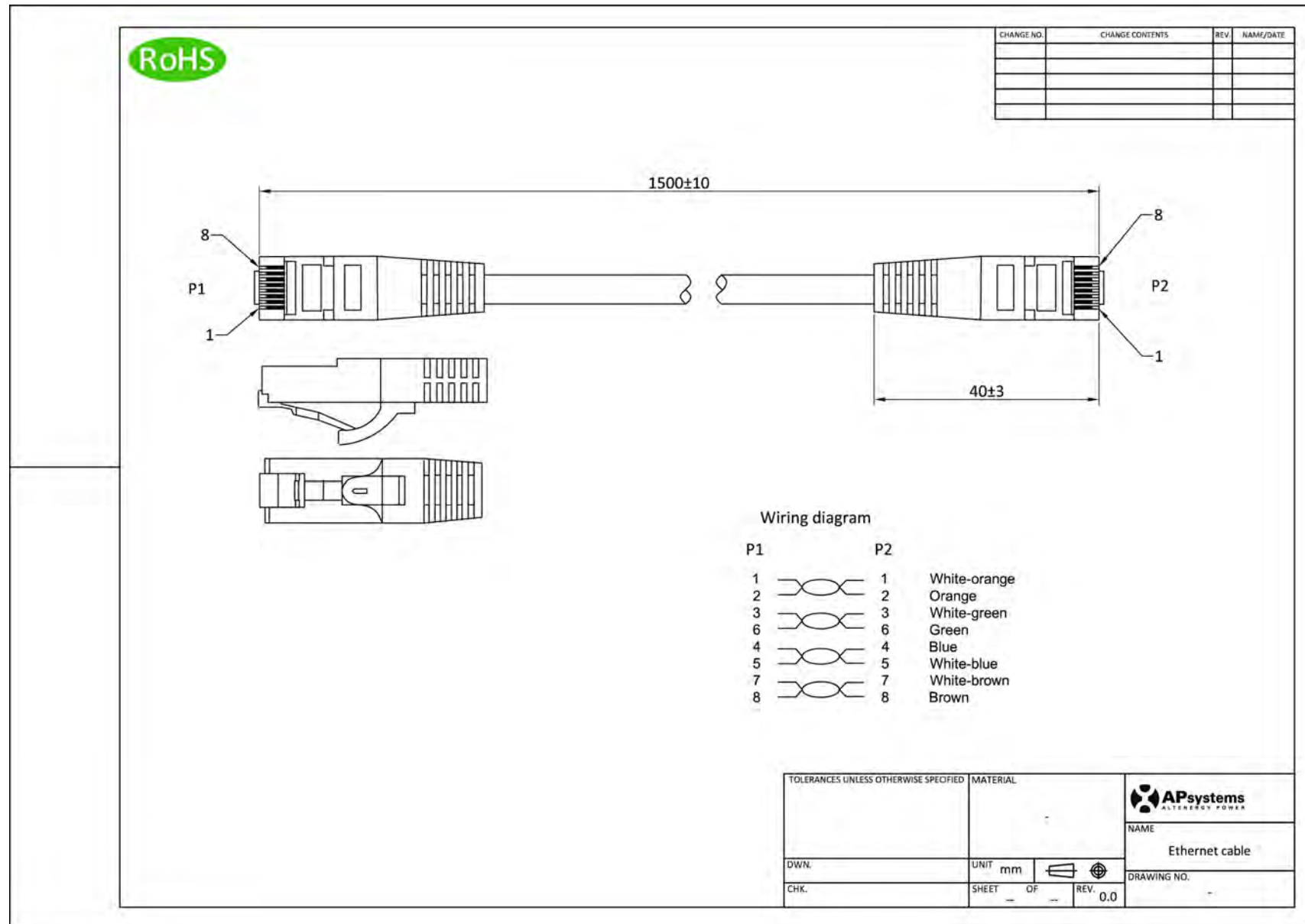


systems

items Mexico:
 ol. Chapalita.,
 5040. México

latam.APsistemas.com

Ethernet cable



APsystems

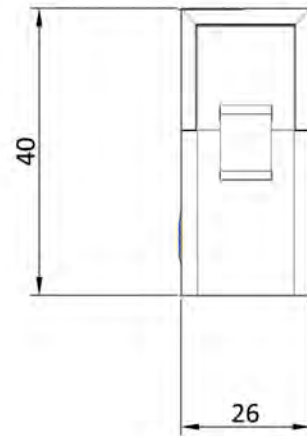
APsystems Mexico:
Pl. Chapalita.,

Zapopan, Jalisco. C.P. 45040. México
latam.APsistemas.com

18083020112_Current Transformer (80A/26.6mA)


RoHS

CHANGE NO.	CHANGE CONTENTS	REV	NAME/DATE



SCT-T10		
Input current(A)	Turn ratio(T)	output voltage(mV)
5-80	1000-3000 Recommended value 3000	333-5000 Recommended value 333

- Notes:
1. Type: SCT-T10;
 2. Primary current range: 10-3000Arms;
 3. Lead wire: UL1007 24AWG, 1m;
 4. Working temperature: -25°C~50°C;
 5. Certification: UL, CE, ETL, ROHS

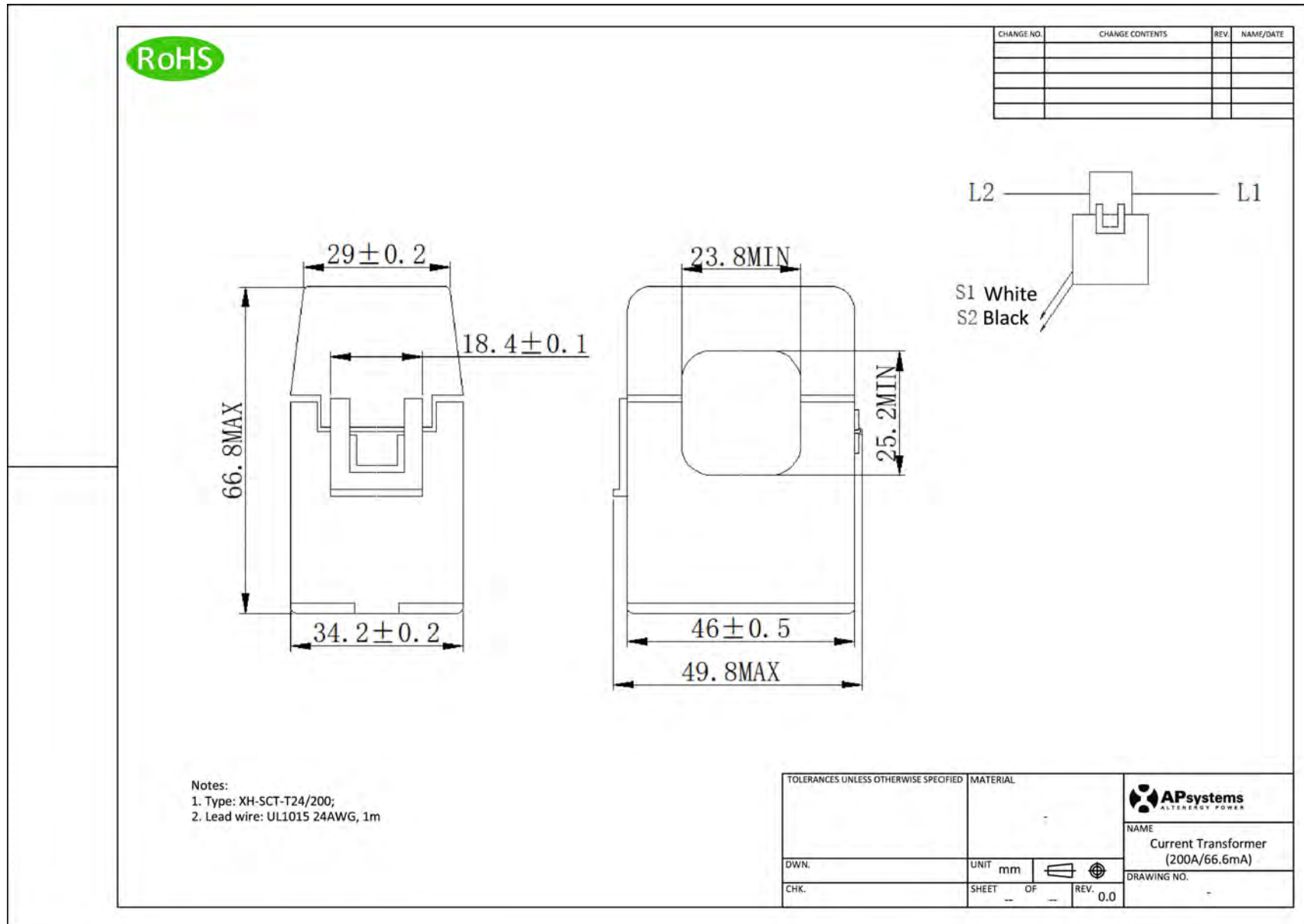
TOLERANCES UNLESS OTHERWISE SPECIFIED	MATERIAL	 NAME Current Transformer (80A/26.6mA)
DWN.	UNIT mm	
CHK.	SHEET OF	REV. 0.0

APsystems

APsystems Mexico:
Pl. Chapalita.,

Zapopan, Jalisco. C.P. 45040. México
latam.APsistemas.com

18083020012_Current Transformer (200A/66.6mA)



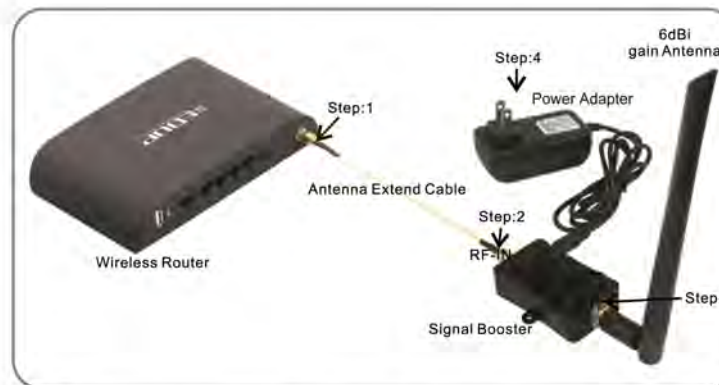
APsystems

APsystems Mexico:
Pl. Chapalita.,

Zapopan, Jalisco. C.P. 45040. México
latam.APsystems.com

Wifi booster instruction Manual

- 1.Support Standards:IEEE 802.11b/g/n
- 2.Frequency:2400~2500MHz
- 3.Working Pattern:TDD
- 4.RF Output Power:36dBm[4W]
- 5.Input Trigger Power:Min:3dBm Max:20dBm
- 6.Transmit Gain:13 dB±1
- 7.Receiver Gain:10 dB±1
- 8.TX/RX Switch Time Delay: < 1us
- 9.Noise Figure: < 2.5dB(typical)
- 10.Operating Temp:-40°C~+70°C
- 11.Working Voltage:6-18VDC
- 12.Operating Humidity:up to 95% rel humidity



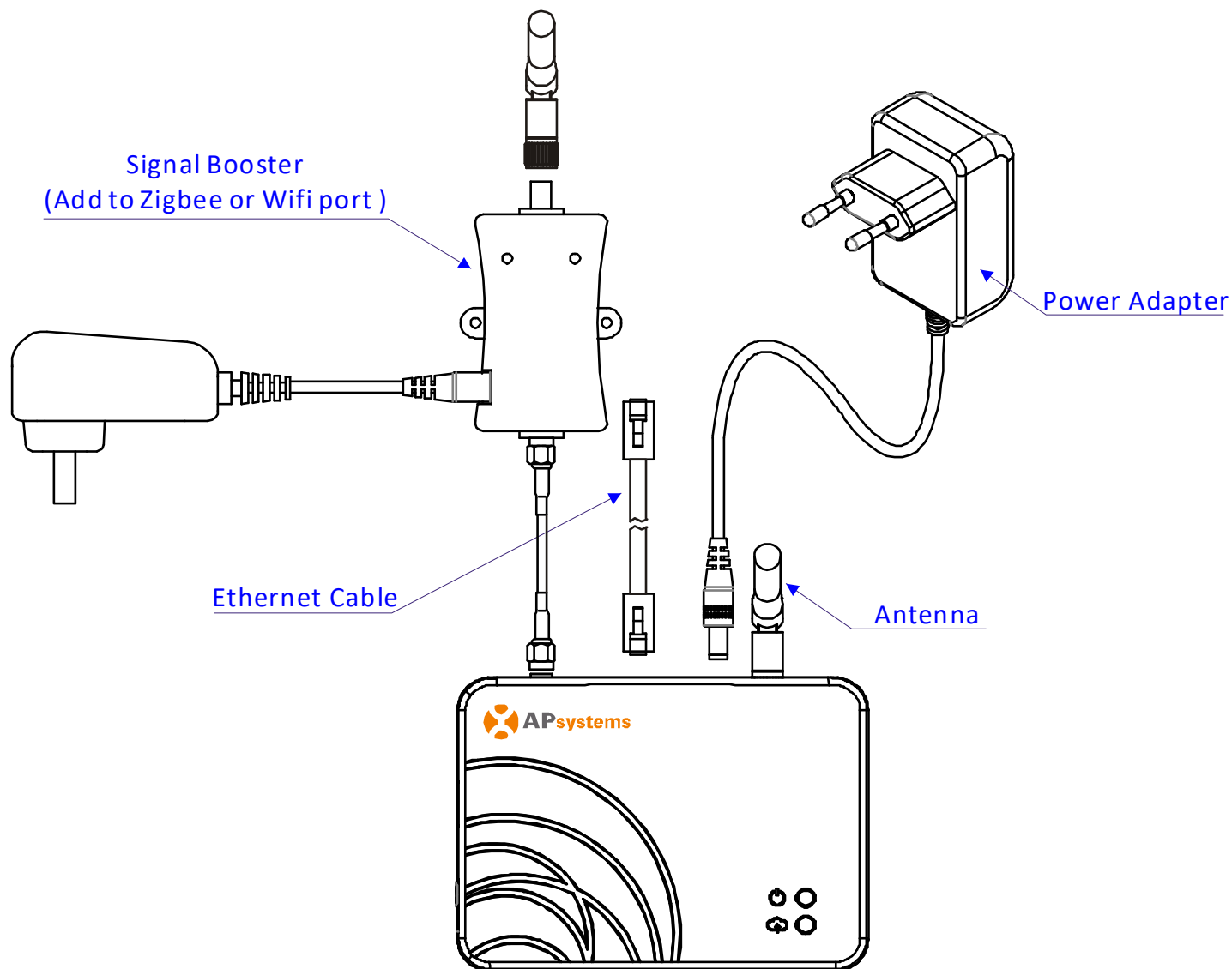
- Step1:Remove the Antenna from the wireless Router (Access Point)
- Step2:Use cable to connect the Booster and AP
- Step3:Connect the Antenna to the other end of Booster
- Step4:Plug in the Power Adapter

APsystems

APsystems Mexico:
 Av. Lázaro Cárdenas #3422 int 604, Col. Chapalita.,
 Zapopan, Jalisco. C.P. 45040. México
latam.APsistemas.com

ECU-R Accessories

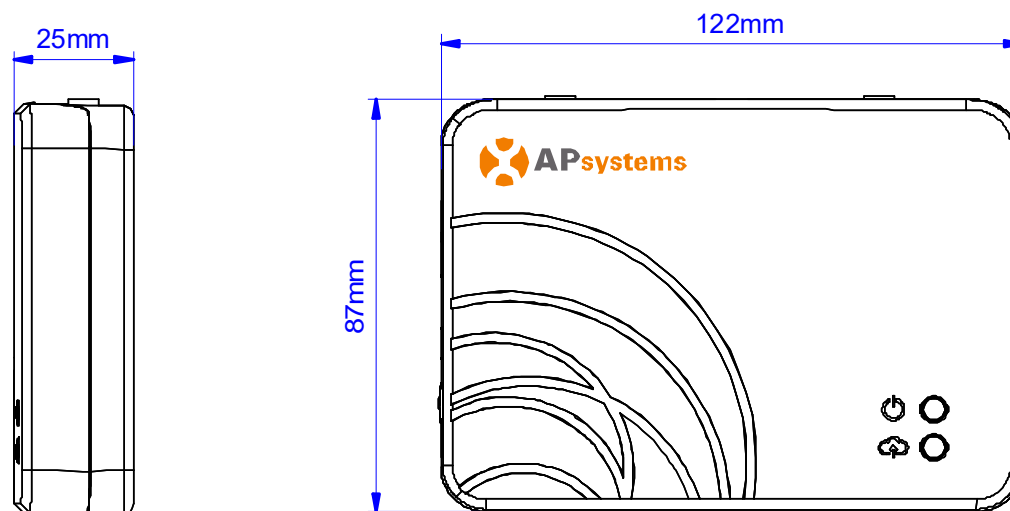
1. Wiring Diagram



APsystems

APsystems Mexico:
Av. Lázaro Cárdenas #3422 int 604, Col. Chapalita.,
Zapopan, Jalisco. C.P. 45040. México
latam.APsistemas.com

2. ECU-R Dimensions




3. Accessories Summary

Region		Accessories			
		Antenna (Supply)	Ethernet Cable (Supply)	Power Adapter (Supply)	Signal Booster (Optional)
LATAM	Mexico -MX (209031)	Antenna (See Pic. A)	Ethernet cable (See Pic. B)	Power Adapter (US) (See Pic. C)	2376000003_Signal Booster (American Standard) (See Pic. E)
	Brazil -BR (209006)			Power Adapter (EU) (See Pic. D)	2376010003_Signal Booster (European Standard) (See Pic. E)

APsystems

APsystems Mexico:
 Av. Lázaro Cárdenas #3422 int 604, Col. Chapalita.,
 Zapopan, Jalisco. C.P. 45040. México
latam.APsistemas.com

4. Physical Picture

Antenna	Ethernet Cable	Power Adapter		Signal Booster
 <p data-bbox="297 751 360 775">Pic. A</p>	 <p data-bbox="707 751 770 775">Pic. B</p>	 <p data-bbox="1115 751 1178 775">Pic. C</p>	 <p data-bbox="1518 751 1581 775">Pic. D</p>	 <p data-bbox="1928 751 1991 775">Pic. E</p>

APsystems

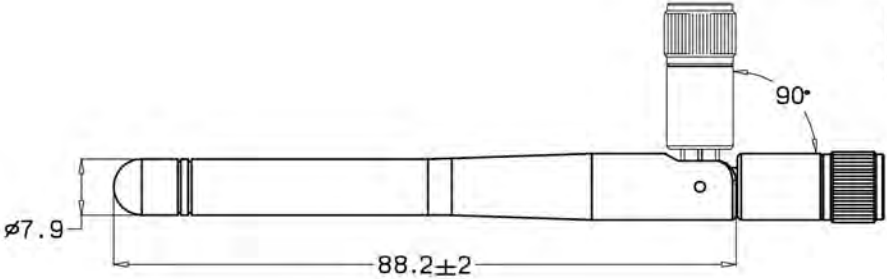
APsystems Mexico:
 Av. Lázaro Cárdenas #3422 int 604, Col. Chapalita.,
 Zapopan, Jalisco. C.P. 45040. México
latam.APsistemas.com

5. Accessories information

Antenna

RoHS

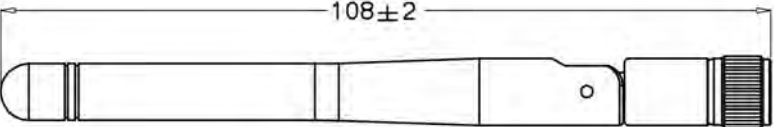
CHANGE NO.	CHANGE CONTENTS	REV.	NAME/DATE




90°

∅7.9

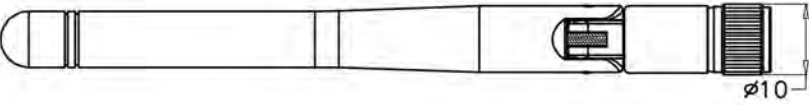
88.2±2



108±2



Male pin

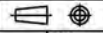



∅10

Electrical parameters:

1. Frequency range: 2400-2500 MHz;
2. Gain: 2dBi;
3. VSWR: <2:1;
4. Polarization: linear.Vertical;
5. Max power rating: 50W;
6. Impedance: 50 OHM

TOLERANCES UNLESS OTHERWISE SPECIFIED		MATERIAL	
0°-1	±0.1	ANGLES:	
1°-10	±0.3	x°	±1°
10°-30	±0.8	x.x°	±0.5°
30°-100	±1		
100°-300	±2		

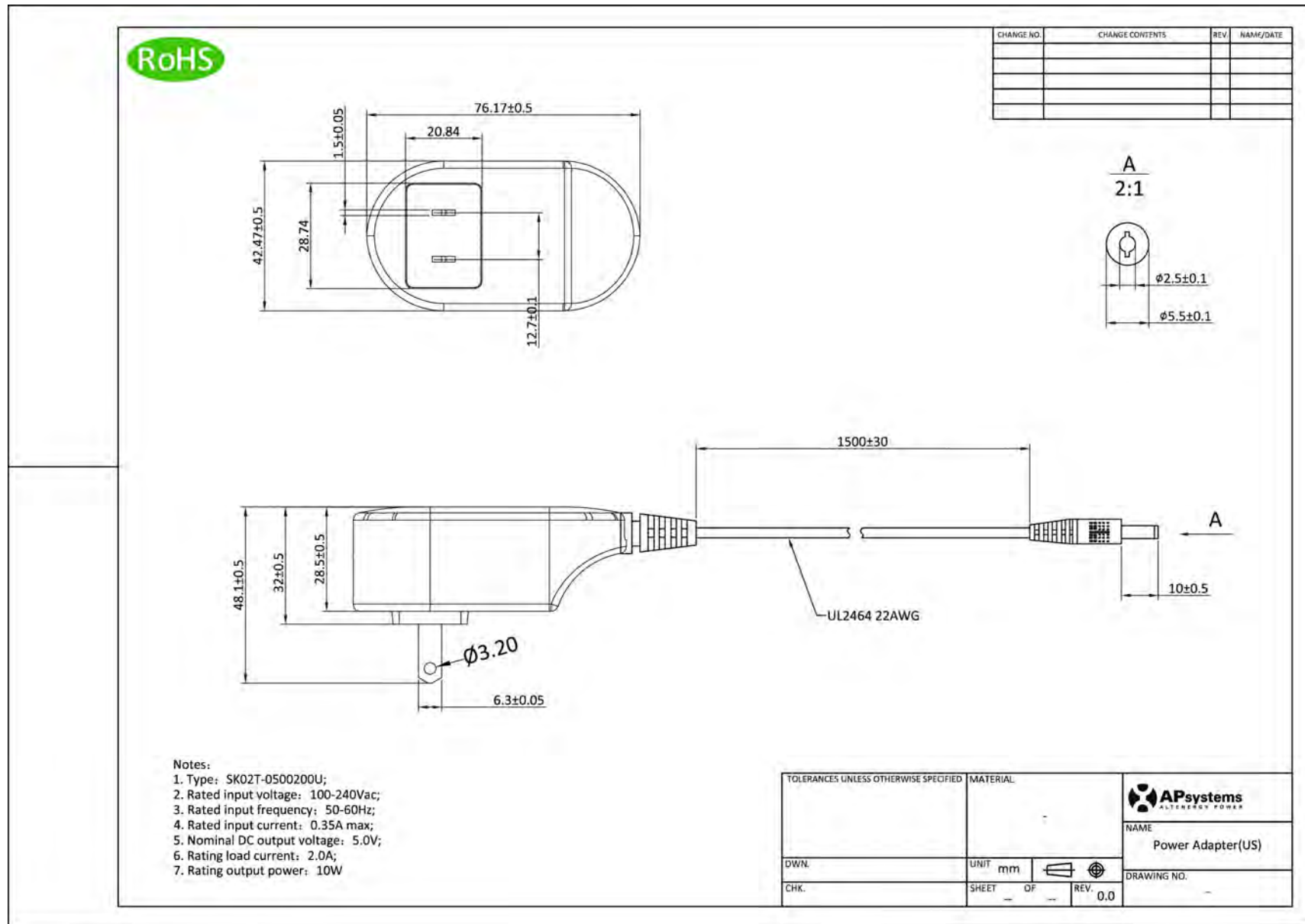
DWN.		UNIT	mm		
CHK.		SHEET	OF		
NAME					Antenna
DRAWING NO.					-

systems

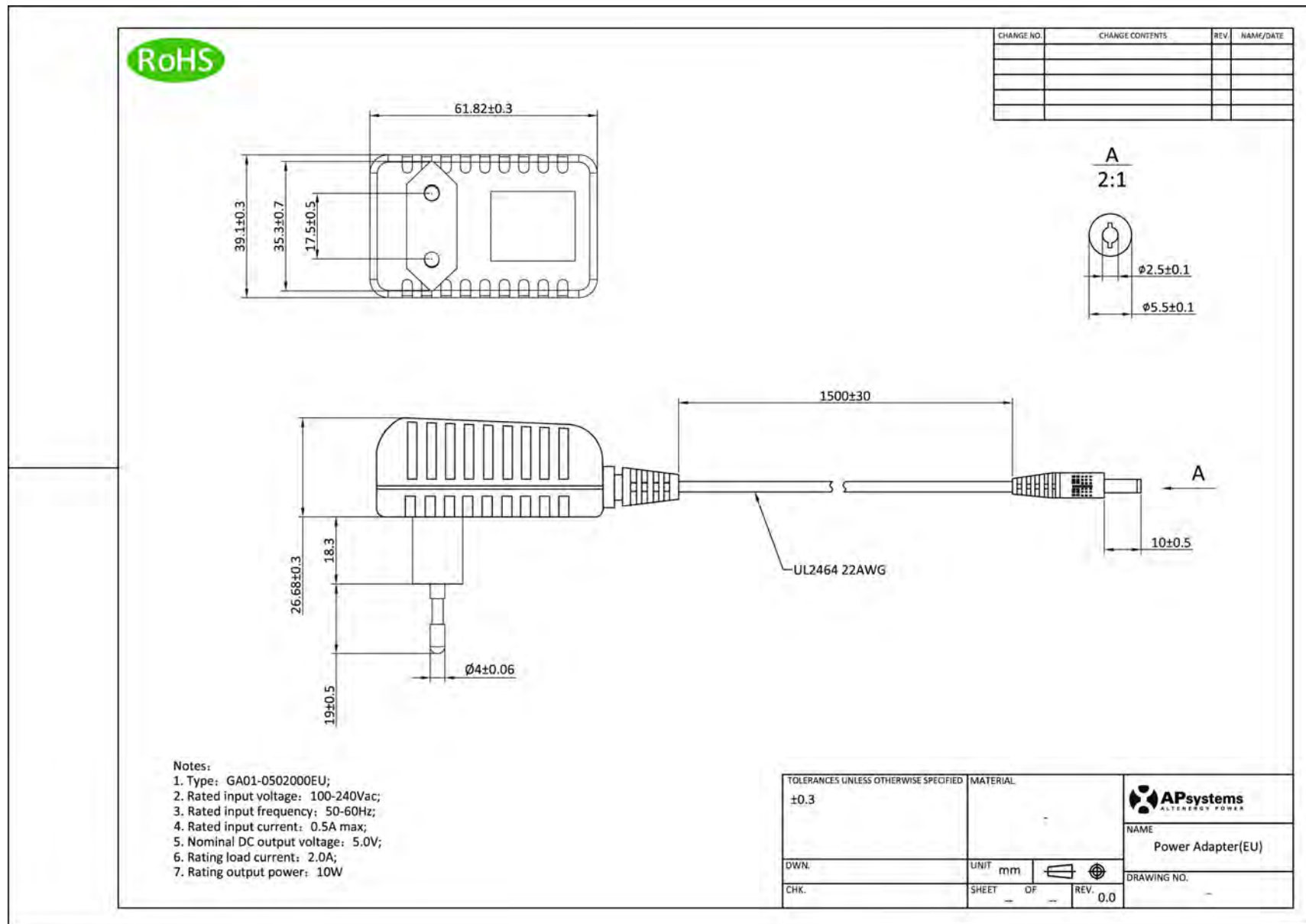
tems Mexico:
pl. Chapalita.,
5040. México

latam.APsystems.com

Power Adapter (US)



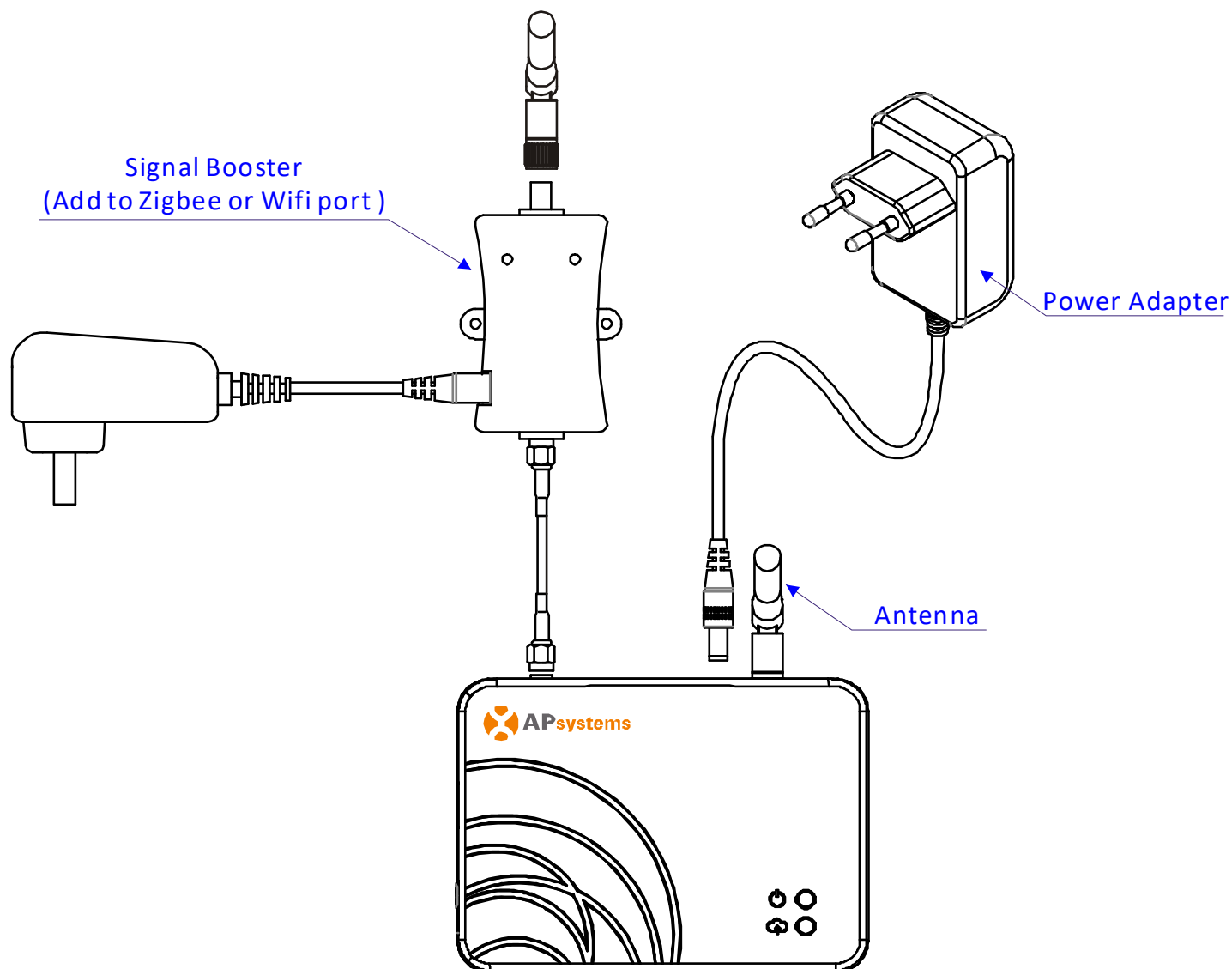
Power Adapter (EU)



Zapopan, Jalisco. C.P. 45040. México
latam.APsistemas.com

ECU-B Accessories

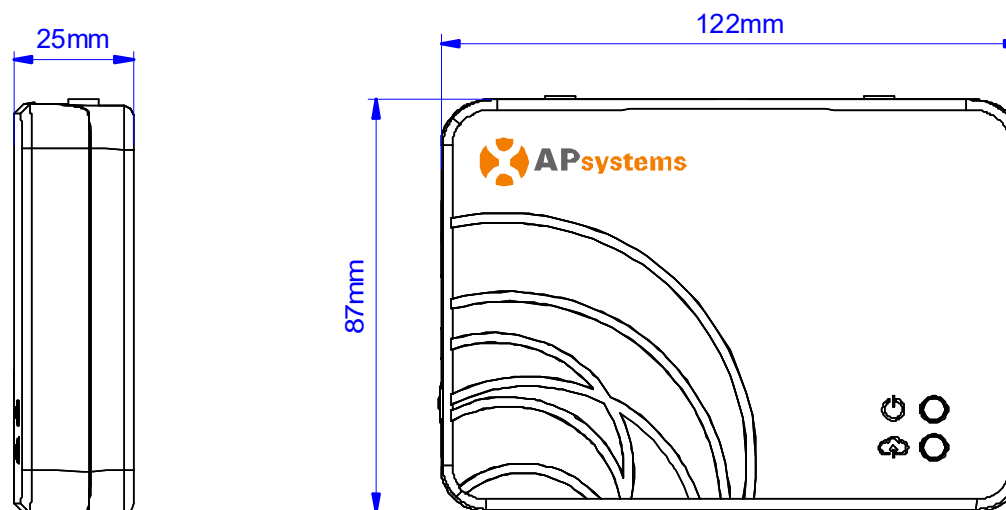
1. Wiring Diagram



APsystems

APsystems Mexico:
Av. Lázaro Cárdenas #3422 int 604, Col. Chapalita.,
Zapopan, Jalisco. C.P. 45040. México
latam.APsistemas.com

2. ECU-B Dimensions







3. Accessories Summary

Region		Accessories		
		Antenna (Supply)	Power Adapter (Supply)	Signal Booster (Optional)
LATAM	Mexico -MX (211031)	Antenna (See Pic. A)	Power Adapter (US) (See Pic. B)	2376000003_Signal Booster (American Standard) (See Pic. D)
	Brazil -BR (211006)		Power Adapter (EU) (See Pic. C)	2376010003_Signal Booster (European Standard) (See Pic. D)

APsystems

APsystems Mexico:
 Av. Lázaro Cárdenas #3422 int 604, Col. Chapalita.,
 Zapopan, Jalisco. C.P. 45040. México
 latam.APsistemas.com

4. Physical Picture

Antenna	Power Adapter		Signal Booster
 <p data-bbox="297 751 360 775">Pic. A</p>	 <p data-bbox="707 751 770 775">Pic. B</p>	 <p data-bbox="1115 751 1178 775">Pic. C</p>	 <p data-bbox="1520 751 1583 775">Pic. D</p>

APsystems

APsystems Mexico:
 Av. Lázaro Cárdenas #3422 int 604, Col. Chapalita.,
 Zapopan, Jalisco. C.P. 45040. México
latam.APsistemas.com

Revision history		
Version	Change contents	Date
REV1.0	First edition	2022-08-23
REV1.1	Update DS3D wiring diagram; DS3D add AC branch extension cable; DS3D/QT2/QT2D add DC extension cable(MC4); Delete Tel	2022-12-03
REV1.2	Delete QT2 6m DC extension cable(MC4); Update ECU-C/ECU-R/ECU-B wiring diagram	2022-12-08
REV1.3	Add DS3 accessories; Add QT2-BR accessories; Change QT2-MX accessories; Update DS3/DS3D/ QT2/QT2D wiring diagram	2023-02-25
REV1.4	Update QT2 accessories ; Update QT2 wiring diagram; Update the name of DS3/DS3D/QT2D bus cable end cap	2023-06-16
Compile: Fanting		Date: 2023-06-16
Audit: Tianxing		Date: 2023-06-16