

REPLACEMENT PARTS

FOR

**TRIUMPH**

MOTOR CYCLES

1951

3T	-	3T-DE-LUXE
5T	-	SPEED TWIN
6T	-	THUNDERBIRD
TR5	-	TROPHY
T100	-	TIGER 100

TRIUMPH ENGINEERING COMPANY LTD.  
MERIDEN WORKS, ALLESLEY

Telegrams (for Spares)  
"Trusty, Coventry"

COVENTRY.

Telephone  
Meriden 331

## PREFACE

**B**EFORE ordering parts for your machine, please read very carefully the instructions contained in the next paragraph. In a large number of cases, the information given in orders is not sufficient to enable us to identify customers' requirements with certainty. Delay is frequently occasioned by our having to refer the order back for further particulars before we can supply.

**HOW TO ORDER.** Every part is indicated by number, and this should be quoted together with the description. In order to assist customers, dimensions have been given in many cases where parts are similar. Parts where possible have been listed in order of assembly and a number of the illustrations show the assembly order also. With these aids, there should be no difficulty in identifying the parts you require. Always head your order with the engine number, stamped on the drive side of the crank case underneath the cylinder flange, together with the prefix letters. Use a separate sheet for your order if you are sending a letter as well.

## SPECIMEN ORDER

12/8/51

To Triumph Engineering Co. Ltd.,  
Meriden Works,  
Allesley,  
Coventry.

Engine No. 6T-2000NA

Please supply:—

- 1 - CP.29/20 - Piston Assy. + .020"
- 1 - E2899 - Guide, inlet valve

\* Send C.O.D.

Wm. Smith,  
1a, Ewell Avenue  
Ewell, Surrey.

\*For terms of business see page 3.

**TELEGRAPHIC ORDERS.** Orders by telegram should be addressed to "Trusty 60221 Coventry". They are then telephoned to us, which prevents delay in delivery. It is only necessary to quote part numbers in telegraphic orders, the description can be omitted.

**PATTERNS AND PARTS FOR REPAIR.** It is not necessary to send patterns if the part number is quoted. The sending of patterns often delays the order as parcel post or rail takes longer than letter post.

Parts sent to Coventry for repair, replacement or as patterns should bear the sender's name and address and clear instructions should accompany the parts. All parts must be forwarded carriage paid and care should be taken to ensure that all remittances are sent separately and not enclosed with the parts. Fragile units such as cylinders, etc., should always be boxed to avoid damage in transit. Complete machines should have all fittings such as horns, driving mirrors, tools, etc., removed by the sender before despatch, as it is impossible for us to accept responsibility in the event of loss in transit. We are always pleased to give estimates for overhauling and repairs, but should an estimate not be accepted, a charge will be made covering cost of dismantling and re-assembling, if carried out.

All communications relating to spare parts, repairs, replacements and general service should be addressed to the Triumph Engineering Co. Ltd., Meriden Works, Allesley, Coventry, and in order to facilitate quick reference, the quoting of any order number, invoice number or reference from previous communications is of essential importance. **Accessories not of our manufacture should be sent direct to the actual makers, whose names and addresses appear on Page 123.**

**WHERE TO OBTAIN.** Triumph Spare Parts may be obtained from any Triumph Dealer, and we recommend our customers to place their orders with the Triumph Dealer in their district. When parts not usually asked for are required, and for which the Dealer may have to wire or obtain specially, the postage or carriage incurred becomes payable.

We are not able to supply Transfers as originally affixed to Triumph Motor Cycles, but we are at all times willing to supply a transfer denoting that the machine is of genuine Triumph manufacture, provided the Frame and Engine prefix letters and numbers are quoted.

Customers are warned against the risk incurred by purchasing parts that are not of genuine Triumph manufacture. This risk is eliminated if parts are ordered as instructed, either from our recognised Dealers, or direct from the Service Department, Meriden Works, Allesley, Coventry.

## TERMS OF BUSINESS

**T**HE most convenient method of paying for Spare Parts is by the C.O.D. system. By this method you pay the postman for the goods when he delivers them to you. As the minimum C.O.D. collection fee is 10d., only goods to the value of 2 - and over can be sent by this system. We do not despatch goods by rail C.O.D.

Where goods are not sent C.O.D., cash must accompany the order. All remittances should be made payable to the Triumph Engineering Co. Ltd., and crossed "Barclay's Bank Ltd." if in the form of Postal Order or cheque. Letters containing currency notes must be registered.

Should a remittance be forwarded by telegraphic money order, the name and address of the sender must be inserted in the space provided on the Post Office requisition form for a private message from remitter to payee. Unless this is complied with the Post Office omit such information from the telegram and we are not then in a position to trace the sender.

Postage, carriage and packing is charged at 7½% on the value of the goods, minimum charge 6d. Packing boxes, cases, crates, etc., are charged for at cost and are returnable.

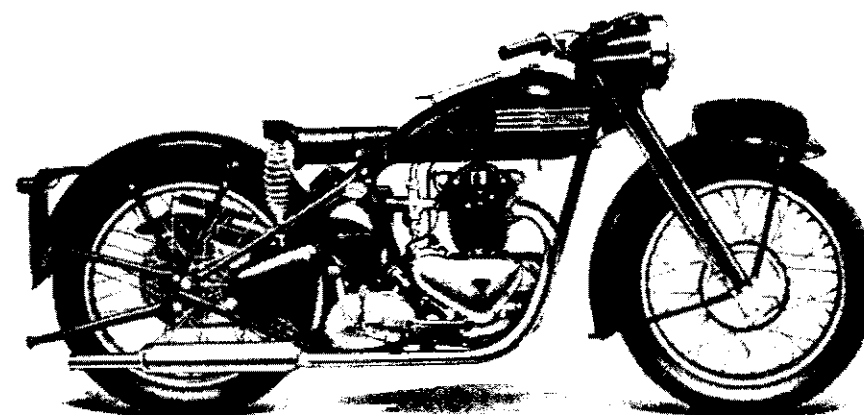
# INDEX

	Page No.		Page No.
AIR FILTER GROUP ... ..	96	Gearbox casing ... ..	42
BATTERY CARRIER GROUP ... ..	61	Gearbox fittings ... ..	42
CARBURETTER GROUP ... ..	98	Gearbox shell bearings ... ..	43
CARTON PACK LIST ... ..	12	Gearbox sprocket ... ..	47
CHAIN GROUP ... ..	79	Kickstarter ... ..	47
CHAINGUARD GROUP ... ..	79	Shafts and gears ... ..	43
CONTROL CABLE GROUP ... ..	88	Standard ratio gear group... ..	50
Air cable ... ..	89	Wide ratio gear group ... ..	49
Clutch cable ... ..	89	GEAR RATIO CHART ... ..	120
Front brake cable ... ..	88	HANDLEBAR GROUP ... ..	85
Ignition cable ... ..	89	Air control ... ..	86
Throttle cable ... ..	88	Clutch control ... ..	86
ENGINE GROUP ... ..	20	Front brake control ... ..	86
Connecting rods ... ..	30	Handlebar ... ..	85
Crankcase ... ..	31	Throttle control (Triumph) ... ..	85
Crankcase bearings ... ..	31	Throttle control (Amal) ... ..	86
Crankcase breather ... ..	35	Magnetic control ... ..	88
Crankcase oil filter ... ..	31	HANDLEBAR GROUP (U.S.A. and Canadian Pattern) ... ..	89
Crankshaft and flywheel assembly ... ..	30	LUCAS ELECTRICAL EQUIPMENT GROUP ... ..	107
Cylinder block ... ..	20	MAGNETO B.T.H. GROUP ... ..	101
Cylinder head ... ..	20	MUDGUARD GROUP ... ..	75
Engine sprocket and shock absorber ... ..	38	MUDGUARD GROUP (RACING) ... ..	118
Oil pump ... ..	34	NUMBER PLATE GROUP ... ..	78
Overhead rocker gear ... ..	37	PILLION SEAT GROUP ... ..	92
Pistons ... ..	21	PRIMARY CHAINCASE GROUP ... ..	78
Push rods ... ..	36	PROP STAND GROUP ... ..	92
Push rod cover tube ... ..	37	RACING 1100 KIT GROUP ... ..	112
Release valve ... ..	34	REAR BRAKE CONTROL GROUP ... ..	90
Rocker oil feed and drain pipes ... ..	38	REAR CARRIER GROUP ... ..	93
Studs and bolts for crankcase halves ... ..	34	REAR SPRING WHEEL GROUP, MARK II ... ..	71
Tappet and tappet block ... ..	36	REAR WHEEL GROUP (RIGID) ... ..	68
Timing cover ... ..	35	R.P.M. CHART ... ..	119
Timing gear ... ..	35	SADDLE GROUP ... ..	91
Valves, guides and valve springs ... ..	21	SIDECAR ATTACHMENTS GROUP ... ..	93
ENGINE PLATE GROUP ... ..	60	SPARKING PLUG GROUP ... ..	97
EXHAUST SYSTEM GROUP ... ..	39	SPEEDOMETER GROUP ... ..	97
FOOTREST GROUP ... ..	90	STAND GROUP ... ..	67
FRAME GROUP ... ..	51	TANK GROUP ... ..	81
FRONT FORK GROUP ... ..	61	Parcel grid ... ..	84
FRONT WHEEL GROUP ... ..	67	Petrol tank ... ..	81
GASKET SETS ... ..	41	Oil tank ... ..	84
GEARBOX GROUP ... ..	42	TOOLBOX GROUP ... ..	94
Close ratio gear group ... ..	50	TOOLKIT GROUP ... ..	94
Clutch ... ..	49	TORQUE BRACKET GROUP ... ..	51
Clutch control ... ..	49	TWINSEAT GROUP ... ..	93
Gear control (enclosed footchange) ... ..	47		
Gear control (selector mechanism) ... ..	43		

# ILLUSTRATION INDEX

3T DE LUXE

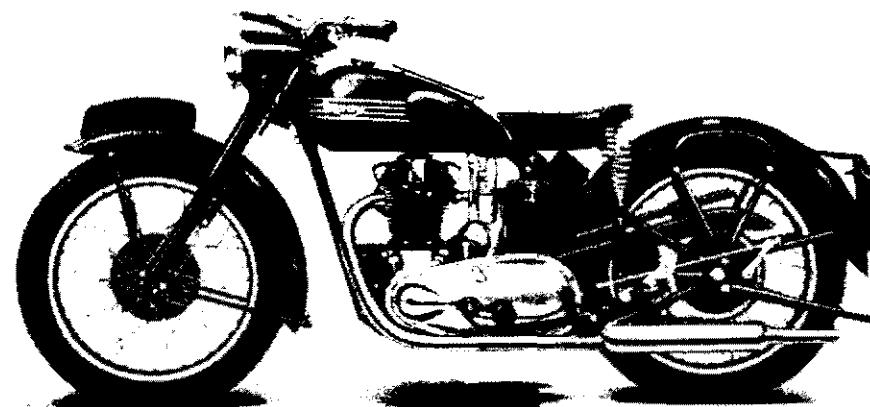
	Page
Air filter	96
B.T.H. Magneto armature and condenser	103
B.T.H. Magneto contact breaker and housing	104
B.T.H. Magneto housing and driving gear	102
Carburetter components	100
Clutch	48
Crankcase and frame studs, bolts and washers	58
Engine 5T and 6T : Crankcase, cylinder block and head, etc.	22
Engine TR5 and T100 : Crankcase, cylinder block and head, etc.	26
Engine 5T, 6T and TR5, T100 : Crankshaft, connecting rods, pistons and timing gears, etc.	28
Engine 3T : Crankcase, cylinder block and head, etc.	32
Engine 3T : Crankshaft, connecting rods, pistons and timing gears, etc.	36
Exhaust pipes and silencers	40
Frame and components 3T	52
Frame and components 5T, 6T and T100	54
Frame and components TR5	56
Front wheel arrangement	69
Gearbox	43-44
Handlebar and controls	87
Headlamp, nacelle pattern	108
Mudguards	76
Petrol and oil tanks with fittings	82
Primary chain cases and rear chainguards	80
Racing kit T100	115
Rear wheel (Rigid) axle assembly	70
Spring wheel, Mark II	72
Telescopic fork, 3T, 5T, 6T and T100	62
Telescopic fork, TR5	64
Toolkit	95



## SPECIFICATION

Bore and stroke, mm	55 x 73.4	*Ignition, fully advanced	
Cylinder capacity		ins. (mm)	11/32 (9)
c/cm (cu. ins.)	349 (21)	Piston ring gap	
Compression ratio	6.3:1	ins. (mm)	.010-.014 (.25-.35)
Engine sprocket, solo	19	Inlet valve opens, B.T.D.C.	22°
Carburetter main jet	120	Exhaust valve closes, A.T.D.C.	25°
Carburetter slide	5.4	Petrol tank, gallons (litres)	3½ (16)
Carburetter needle jet	107	Oil tank, pints (litres)	6 (3.4)
Tapet clearance cold		Weight, lbs. (dry) (kilos)	325 (147)
ins. (mm)	.001 (.025)		

\*  $\frac{9}{32}$ " (7 mm) with low octane fuel.



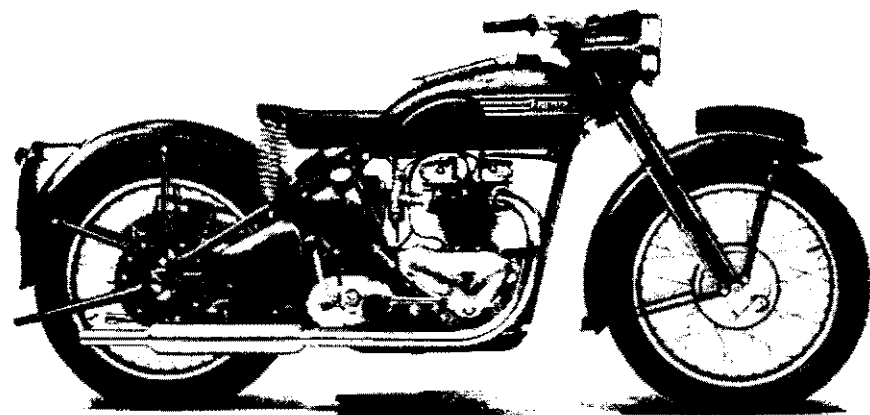
To assist the owner and dealer in identifying requirements, this book contains numerous exploded views of major assemblies. Each component part is numbered and by cross reference to the illustration index, the part number of the component will be found. Against each part number a page and reference number is shown and by referring to the appropriate page, the full description of the part will be found against the reference number.

### Example.

To find the part number of a scraper ring for the model 5T.

1. Refer to illustration index above where it will be found that the exploded view of the 5T engine is on page 28.
2. Note that the number of the scraper ring on the illustration is 2.
3. Refer to the index for the illustration in question on page 29.
4. Note that No. 2 is part number GE.29, listed on page 25. Reference line No. 44.

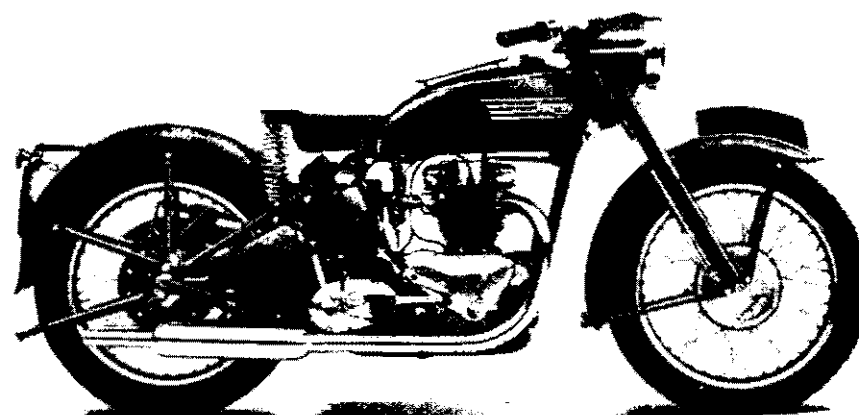
## SPEED TWIN



### SPECIFICATION

Bore and stroke, mm	... 63 × 80	Ignition, fully advanced,	
Cylinder capacity		ins. (mm)	... 2 1/2 (9.5)
c/cm (cu. ins.)	... 498 (30.5)	Piston ring gap	
Compression ratio	... 7 : 1	ins. (mm)	... .010-.014 (.25-.35)
Engine sprocket, solo	... 22	Inlet valve opens, B.T.D.C.	... 26 1/2°
Engine sprocket, sidecar	... 19	Exhaust valve closes, A.T.D.C.	... 35 1/2°
Carburetter main jet	... 140	Petrol tank, gallons (litres)	... 4 (18)
Carburetter slide	... 6 3/8	Oil tank, pints (litres)	... 6 (3.4)
Carburetter needle jet	... 107	Weight lbs. (dry) (kilos)	365 (165.5)
Tappet clearance, cold			
ins. (mm)	... .001 (.025)		

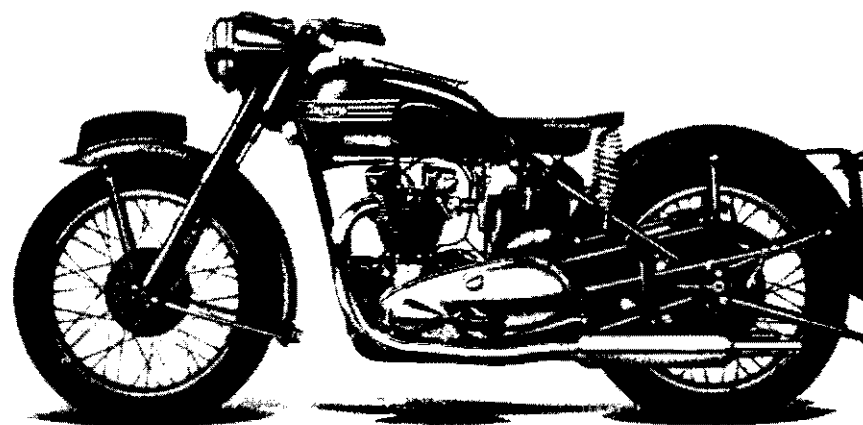
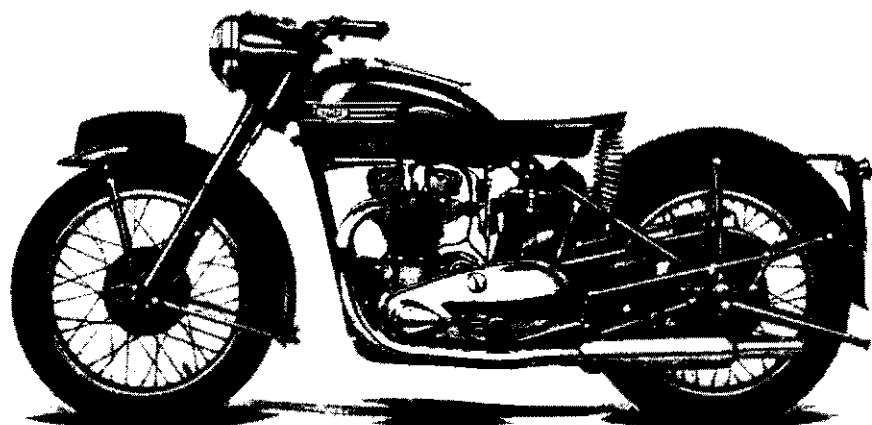
## THUNDERBIRD



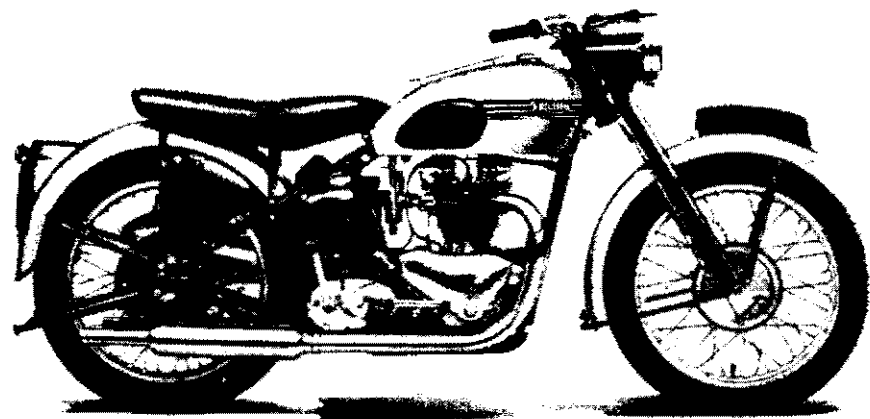
### SPECIFICATION

Bore and stroke, mm	... 71 × 82	Ignition, fully advanced,	
Cylinder capacity		ins. (mm)	... 2 7/8 (9.5)
c/cm (cu. ins.)	... 649 (40)	Piston ring gap	
Compression ratio	... 7 : 1	ins. (mm)	... .010-.014 (.25-.35)
Engine sprocket, solo	... 24	Inlet valve opens, B.T.D.C.	... 26 1/2°
Engine sprocket, sidecar	... 21	Exhaust valve closes, A.T.D.C.	... 35 1/2°
Carburetter main jet	... 140*	Petrol tank, gallons (litres)	4 (18)
Carburetter slide	... 6 3/8	Oil tank, pints (litres)	6 (3.4)
Carburetter needle jet	... 107	Weight, lbs. (dry) (kilos)	370 (168)
Tappet clearance, cold			
ins. (mm)	... .001 (.025)		

\*190 without air filter



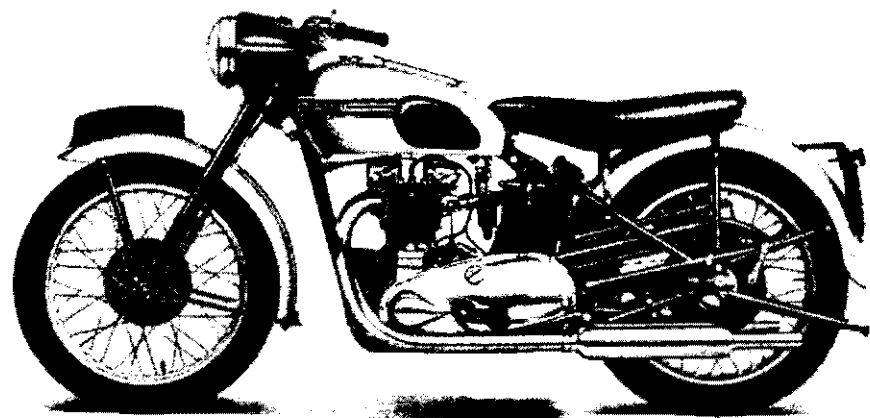
## TIGER 100



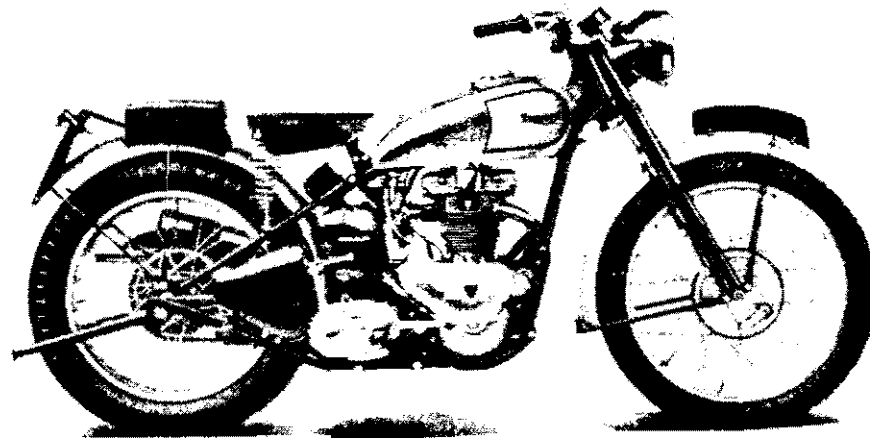
### SPECIFICATION

Bore and stroke, mm	... 63 x 80	Tappet clearance, cold	.002" in (.05)
Cylinder capacity	...	ins. (mm)	... .004" Ex (.10)
c/cm (cu. ins.)	... 498 (30.5)	Ignition, fully advanced	...
Compression ratio	... 7.6:1	ins. (mm)	... 7 (9.5)
Engine sprocket, solo	... 22	Piston ring gap	...
Engine sprocket, sidecar	... 19	ins. (mm)	.010-.014 (.25-.35)
Carburetter main jet	... 150*	Inlet valve opens, B.T.D.C.	... 26 1/2
Carburetter slide	... 6 3/8	Exhaust valve closes, A.T.D.C.	... 3 1/2
Carburetter needle jet	... 107	Petrol tank, gallons (litres)	4 (18)
		Oil tank, pints (litres)	6 (3.4)
		Weight lbs. (dry) (kilos)	355 (160)

\*160 without air filter

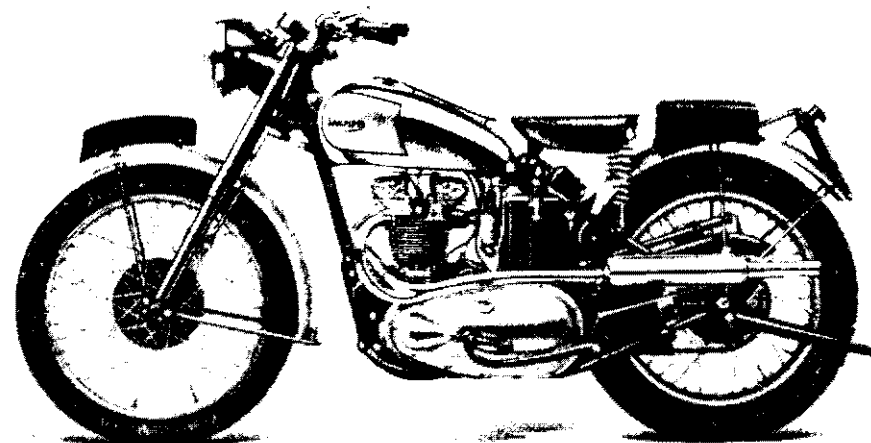


## TROPHY



### SPECIFICATION

Bore and stroke, mm	... 63 x 80	Ignition, fully advanced	...
Cylinder capacity	...	ins. (mm)	... 7 (9.5)
c/cm (cu. ins.)	... 498 (30.5)	Piston ring gap	...
Compression ratio	... 6:1	ins. (mm)	.010-.014 (.25-.35)
Engine sprocket	... 21	Inlet valve opens B.T.D.C.	... 26 1/2
Carburetter main jet	... 150	Exhaust valve closes A.T.D.C.	... 35 1/2
Carburetter slide	... 6 3/8	Petrol tank, gallons (litres)	2 1/2 (11.4)
Carburetter needle jet	... 107	Oil tank, pints (litres)	6 (3.4)
Tappet clearance, cold	.002" in (.05)	Weight lbs. (dry) (kilos)	295 (134)
ins. (mm)	... .004" Ex (.10)		



## CARTON PACK COMPONENT LIST

The following sub-assemblies are supplied in carton packs under the C.P. part number stated. The contents of these carton packs are preserved and will not deteriorate under adverse conditions.

Part No.			Description and Contents
<b>Brake Lining</b>			
CP.38	2	NW.243	Lining, brake
	16	W.129	Rivet
CP.66	2	W.631	Lining, brake
	16	W.129	Rivet
<b>Crankcase Bearing</b>			
CP.87	1	E.1591	Bearing, ball
	1	E.2877	Bearing, roller
<b>Fork (Telescopic) Service Pack</b>			
CP.50	2	H.443	Bearing, lower
	2	H.441	Bearing, upper
	2	E.1335	Washer, copper
	4	H.430	Washer, drain filler plug
	2	H.452	Restrictor, oil
	2	H.453	Cup, oil restrictor
	2	H.454	Pin, restrictor cup
	2	H.391	Washer, dust excluder felt
	2	H.420	Washer, outer cover felt
<b>Gears, Wide Ratio</b>			
CP.94	1	T.969	Gear, mainshaft high
	1	T.968	Gear, mainshaft 2nd
	1	T.971	Gear, layshaft high
	1	T.974	Gear, layshaft 2nd
<b>Gears, Close Ratio</b>			
CP.95	1	T.957	Gear, mainshaft high
	1	T.956	Gear, mainshaft 3rd
	1	T.955	Gear, mainshaft 2nd
	1	T.995	Gear, mainshaft and low
	1	T.959	Gear, layshaft high
	1	T.964	Gear, layshaft 3rd
	1	T.963	Gear, layshaft 2nd
	1	T.961	Gear, layshaft low

Part No.			Description and Contents
<b>Kickstarter Ratchet Gear</b>			
CP.27	1	T.730	Pinion, kickstarter
	1	T.731	Ratchet, kickstart
	1	T.488 28	Spring and Sleeve
	1	T.732	Lockwasher
<b>Pistons</b>			
CP.29	1	E.1563	Piston
	1	E.656	Ring, compression
	1	E.3048	Ring, compression (Taper)
	1	GE.29	Ring, scraper
	1	WE.203E	Pin, gudgeon
	2	WE.479	Circlip
CP.29 /10	1	E.1563 /10	Piston — .010 inch
	1	E.656 /10	Ring, compression
	1	E.3048 /10	Ring, compression (Taper)
	1	GE.29 /10	Ring, scraper
	1	WE.203E	Pin, gudgeon
	2	WE.479	Circlip
CP.29 /20	1	E.1563 /20	Piston — .020 inch
	1	E.656 /20	Ring, compression
	1	E.3048 /20	Ring, compression (Taper)
	1	GE.29 /20	Ring, scraper
	1	WE.203E	Pin, gudgeon
	2	WE.479	Circlip
CP.29 /30	1	E.1563 /30	Piston — .030 inch
	1	E.656 /30	Ring, compression
	1	E.3048 /30	Ring, compression (Taper)
	1	GE.29 /30	Ring, scraper
	1	WE.203E	Pin, gudgeon
	2	WE.479	Circlip
CP.29 /40	1	E.1563 /40	Piston — .040 inch
	1	E.656 /40	Ring, compression
	1	E.3048 /40	Ring, compression (Taper)
	1	GE.29 /40	Ring, scraper
	1	WE.203E	Pin, gudgeon
	2	WE.479	Circlip
CP.30	1	E.1908	Piston
	1	E.656	Ring, compression
	1	E.3048	Ring, compression (Taper)
	1	GE.29	Ring, scraper
	1	WE.203E	Pin, gudgeon
	2	WE.479	Circlip

Part No.		Description and Contents	
CP.30 10	1	E.1908 10	Piston — .010 inch
	1	E.656 10	Ring, compression
	1	E.3048 10	Ring, compression (Taper)
	1	GE.29 10	Ring, scraper
	1	WE.203E	Pin, gudgeon
	2	WE.479	Circlip
CP.30 20	1	E.1908 20	Piston — .020 inch
	1	E.656 20	Ring, compression
	1	E.3048 20	Ring, compression (Taper)
	1	GE.29 20	Ring, scraper
	1	WE.203E	Pin, gudgeon
	2	WE.479	Circlip
CP.37	1	E.1969	Piston
	1	E.656	Ring, compression
	1	E.3048	Ring, compression (Taper)
	1	GE.29	Ring, scraper
	1	WE.203E	Pin, gudgeon
	2	WE.479	Circlips
CP.37/10	1	E.1969/10	Piston — .010 inch
	1	E.656/10	Ring, compression
	1	E.3048/10	Ring, compression (Taper)
	1	GE.29	Ring, scraper
	1	WE.203E	Gudgeon, pin
	2	WE.479	Circlips
CP.37/20	1	E.1969/20	Piston — .020 inch
	1	E.656 20	Ring, compression
	1	E.3048 20	Ring, compression (Taper)
	1	GE.29	Ring, scraper
	1	WE.203E	Pin, gudgeon
	2	WE.479	Circlips
CP.49	1	E.1748	Piston
	1	E.1766	Ring, compression
	1	E.3047	Ring, compression (Taper)
	1	E.1819	Ring, scraper
	1	E.1750	Pin, gudgeon
	2	E.1767	Circlip
CP.49/10	1	E.1748/10	Piston — .010 inch
	1	E.1766 10	Ring, compression
	1	E.3047 10	Ring, compression (Taper)
	1	E.1819 10	Ring, scraper
	1	E.1750	Pin, gudgeon
	2	E.1767	Circlip

WHEN IN DOUBT SEND SAMPLE

Part No.		Description and Contents	
CP.49 20	1	E.1748 20	Piston — .020 inch
	1	E.1766 20	Ring, compression
	1	E.3047 20	Ring, compression (Taper)
	1	E.1819 20	Ring, scraper
	1	E.1750	Pin, gudgeon
	2	E.1767	Circlip
CP.49 30	1	E.1748 30	Piston — .030 inch
	1	E.1766 30	Ring, compression
	1	E.3047 30	Ring, compression (Taper)
	1	E.1819 30	Ring, scraper
	1	E.1750	Pin, gudgeon
	2	E.1767	Circlip
CP.49 40	1	E.1748 40	Piston — .040 inch
	1	E.1766 40	Ring, compression
	1	E.3047 40	Ring, compression (Taper)
	1	E.1819 40	Ring, scraper
	1	E.1750	Pin, gudgeon
	2	E.1767	Circlip
CP.69	1	E.2671	Piston
	1	E.656	Ring, compression
	1	E.3048	Ring, compression (Taper)
	1	GE.29	Ring, scraper
	1	WE.203E	Pin, gudgeon
	2	WE.479	Circlips
CP.70	1	E.2489	Piston
	1	E.656	Ring, compression
	1	E.3048	Ring, compression (Taper)
	1	GE.29	Ring, scraper
	1	WE.203E	Pin, gudgeon
	2	WE.479	Circlips
CP.92	1	E.2884	Piston
	1	E.656	Ring, compression
	1	E.3048	Ring, compression (Taper)
	1	GE.29	Ring, scraper
	1	WE.203E	Pin, gudgeon
	2	WE.479	Circlip
CP.98	1	E.2891	Piston
	1	E.2897	Ring, compression
	1	E.3049	Ring, compression (Taper)
	1	E.2898	Ring, scraper
	1	WE.203E	Pin, gudgeon
	2	WE.479	Circlip

DO NOT FORGET TO SIGN YOUR ORDER



Part No.		Description and Contents
CP.98 10	1	E.2891 10 Piston — .010 inch
	1	E.2897 10 Ring, compression
	1	E.3049 10 Ring, compression (Taper)
	1	E.2898 10 Ring, scraper
	1	WE.203E Pin, gudgeon
	2	WE.479 Circlip
CP.98 20	1	E.2891 20 Piston — .020 inch
	1	E.2897 20 Ring, compression
	1	E.3049 20 Ring, compression (Taper)
	1	E.2898 20 Ring, scraper
	1	WE.203E Pin, gudgeon
	2	WE.479 Circlip
CP.98 30	1	E.2891 30 Piston — .030 inch
	1	E.2897 30 Ring, compression
	1	E.3049 30 Ring, compression (Taper)
	1	E.2898 30 Ring, scraper
	1	WE.203E Pin, gudgeon
	2	WE.479 Circlip
CP.98 40	1	E.2891 40 Piston — .040 inch
	1	E.2897 40 Ring, compression
	1	E.3049 40 Ring, compression (Taper)
	1	E.2898 40 Ring, scraper
	1	WE.203E Pin, gudgeon
	2	WE.479 Circlip
CP.108	1	E.3000 Piston
	1	E.2897 Ring, compression
	1	E.3049 Ring, compression (Taper)
	1	E.2898 Ring, scraper
	1	WE.203E Pin, gudgeon
	2	WE.479 Circlip
CP.109	1	E.3052 Piston
	1	E.656 Ring, compression
	1	E.3048 Ring, compression (Taper)
	1	GE.29 Ring, scraper
	1	WE.203E Pin, gudgeon
	2	WE.479 Circlip
CP.109/20	1	E.3052 20 Piston + .020 inch
	1	E.656 20 Ring, compression
	1	E.3048 20 Ring, compression (Taper)
	1	GE.29 20 Ring, scraper
	1	WE.203E Pin, gudgeon
	2	WE.479 Circlip

Part No.		Description and Contents
<b>Piston Rings</b>		
CP.40	2	E.656 Ring, compression
	2	E.3048 Ring, compression (Taper)
	2	GE.29 Ring, scraper
CP.40/10	2	E.656/10 Ring, compression
	2	E.3048/10 Ring, compression (Taper)
	2	GE.29/10 Ring, scraper
CP.40 20	2	E.656 20 Ring, compression
	2	E.3048 20 Ring, compression (Taper)
	2	GE.29 20 Ring, scraper
CP.40 30	2	E.656 30 Ring, compression
	2	E.3048 30 Ring, compression (Taper)
	2	GE.29 30 Ring, scraper
CP.40 40	2	E.656 40 Ring, compression
	2	E.3048 40 Ring, compression (Taper)
	2	GE.29 40 Ring, scraper
CP.55	2	E.1766 Ring, compression
	2	E.3047 Ring, compression (Taper)
	2	E.1819 Ring, scraper
CP.55/10	2	E.1766/10 Ring, compression
	2	E.3047/10 Ring, compression (Taper)
	2	E.1819/10 Ring, scraper
CP.55 20	2	E.1766 20 Ring, compression
	2	E.3047 20 Ring, compression (Taper)
	2	E.1819 20 Ring, scraper
CP.55 30	2	E.1766 30 Ring, compression
	2	E.3047 30 Ring, compression (Taper)
	2	E.1819 30 Ring, scraper
CP.55 40	2	E.1766 40 Ring, compression
	2	E.3047 40 Ring, compression (Taper)
	2	E.1819 40 Ring, scraper
CP.99	2	E.2897 Ring, compression
	2	E.3049 Ring, compression (Taper)
	2	E.2898 Ring, scraper
CP.99/10	2	E.2897/10 Ring, compression
	2	E.3049/10 Ring, compression (Taper)
	2	E.2898/10 Ring, scraper

SEE SPECIMEN ORDER IN PREFACE

ALWAYS QUOTE ENGINE NUMBER AND PREFIX

Part No.	Description and Contents		
CP.99 20	2	E.2897 20	Ring, compression
	2	E.3049 20	Ring, compression (Taper)
	2	E.2898 20	Ring, scraper
CP.99 30	2	E.2897 30	Ring, compression
	2	E.3049 30	Ring, compression (Taper)
	2	E.2898 30	Ring, scraper
CP.99 40	2	E.2897 40	Ring, compression
	2	E.3049 40	Ring, compression (Taper)
	2	E.2898 40	Ring, scraper

#### Mudguards

CP.106	Racing Mudguard, Front	(See Page 118)
CP.107	Racing Mudguard, Rear	(See Page 118)

#### Racing Kit

CP.100	Racing Kit	(See Page 112)
CP.101	Racing Kit	(See Page 112)

#### Spring Wheel Spring Set

CP.67	1	W.837	Spring, inner main
	1	W.836	Spring, outer main
	1	W.890	Spring, rebound
	2	W.941	Locator plate
	2	W.658	Buffer

#### Spring Wheel Slipper Pads

CP.89	1	W.935	Pad, slipper (convex)
	1	W.936	Pad, slipper (concave)
	4	W.866	Shim .002" thick
	2	W.867	Shim .003" thick

#### Sidecar Connections

CP.14	1	F.2587	Connection, front
	1	F.2600	Bolt
	2	F.1746	Nut, sleeved
	1	F.2601	Connection, rear
	2	F.1743	Stud
	2	S.1-5	Nut
	2	KF.365	Washer, spring
	1	F.1747	Nut

#### Steering Races

CP.56	2	XS.10	Cup
	1	H.433	Cone
	1	XS.8	Cone
	44	S.70-4	Ball

Part No.	Description and Contents		
CP.57	1	H.437	Cup
	1	H.111	Cup
	1	H.438	Cone
	1	H.439	Cone
	22	S.70-4	Ball
	20	S.70-3	Ball
<b>Valves</b>			
CP.6	2	E.1955	Valve, inlet
	2	E.1956	Valve, exhaust
CP.53	2	E.1751	Valve, inlet
	2	E.1752	Valve, exhaust
CP.96	2	E.2903	Valve, inlet
	2	E.2904	Valve, exhaust
CP.103	2	E.2969	Valve, inlet
	2	E.1956	Valve, exhaust
<b>Valve Guides</b>			
CP.54	4	E.1759	Guide, inlet and exhaust
CP.97	2	E.2899	Guide, inlet
	2	E.2900	Guide, exhaust
<b>Valve Springs</b>			
CP.5	4	E.1488	Spring, inner
	4	E.1487	Spring, outer
CP.52	4	E.1777	Spring, inner
	4	E.1778	Spring, outer
CP.108	2	E.3001	Spring, valve inner
	2	E.3002	Spring, valve outer

# REPLACEMENT PARTS

## ENGINE GROUP

REF. No.	PART No.	DESCRIPTION	3T	5T	6T	TR5	T100
<b>CYLINDER BLOCK</b>							
1	E2461	Block, cylinder	1	—	—	—	—
2	E2927	" " " "	—	1	—	—	—
3	E2895	" " " "	—	—	1	—	—
4	E2957	" " c/w guide blocks	—	—	—	1	1
5	E2677	Washer, " base	1	—	—	—	—
6	E2249	" " " "	—	1	—	1	1
7	E2894	" " " "	—	—	1	—	—
<b>CYLINDER HEAD</b>							
8	E2645	Head, cylinder c/w guides	1	—	—	—	—
9	E2928	" " " "	—	1	—	—	—
10	E2896	" " " "	—	—	1	—	—
11	E3021	" " " "	—	—	—	1	—
12	E3005	" " " "	—	—	—	—	1
13	E2961	Adaptor, exhaust pipe	—	—	—	—	2
14	E2614	Gasket, cylinder head	1	—	—	—	—
15	E2248	" " " "	—	1	—	—	—
16	E2905	" " " "	—	—	1	—	—
17	E3003	" " " "	—	—	—	1	1
18	E2632	Bolt, " " short	2	—	—	—	—
19	E2631	" " " " medium	2	—	—	—	—
20	E1795	" " " " long	4	—	—	—	—
21	E327	" " " " short	—	4	4	—	—
22	E1484	" " " " medium	—	2	2	—	—
23	E1596	" " " " long	—	2	2	—	—
24	E1596A	" " " " (torque)	—	—	—	—	2
25	E2873	" " " " short	—	—	—	4	4
26	E2874	" " " " long	—	—	—	4	2
27	GS308	Washer, cylinder head bolt	8	4	4	—	—
28	F2184	" " " " " "	—	—	—	8	8
29	E1456	Manifold, inlet	—	1	—	—	—
30	E2913	" " " "	—	—	1	—	—
31	E2991	" " " "	—	—	—	1	—
32	E2991T	" " " "	—	—	—	—	1
33	E1552	Washer, inlet manifold joint	—	2	—	—	—
34	E1676	" " " "	—	—	2	—	—
35	E2967	" " " "	—	—	—	2	2
36	E1554	Stud, inlet manifold to head	—	4	—	—	—
37	E2920	" " " "	—	—	4	—	—
38	E2972	" " " " long	—	—	—	2	2
39	E2973	" " " " short	—	—	—	2	2

WHEN IN DOUBT SEND SAMPLE

REF. No.	PART No.	DESCRIPTION	3T	5T	6T	TR5	T100
1	W103	Nut, inlet manifold to head	—	—	4	4	4
2	S25-13	Washer, " " "	—	—	4	4	4
3	E1553	Stud, Carburettor Fixing	—	—	2	2	—
4	E2962	" " " "	—	—	—	2	2
5	S1-51	Nut, " " "	2	2	2	2	2
6	S25-13	Washer, " " "	2	2	2	2	2

## VALVE, GUIDES AND SPRINGS

7	E1751	Valve inlet	2	—	—	—	—
8	E1955	" " " "	—	2	—	—	—
9	E2903	" " " "	—	—	2	—	—
10	E2969	" " " "	—	—	—	2	2
11	E1752	" exhaust	2	—	—	—	—
12	E1956	" " " "	—	2	—	2	2
13	E2904	" " " "	—	—	—	2	—
14	E1759	Guide, inlet and exhaust valve	4	—	—	—	—
15	E2899	" inlet valve	—	2	2	2	2
16	E2900	" exhaust valve	—	2	2	2	2
17	E1777	Spring, inner valve	4	—	—	—	—
18	E1488	" " " "	—	4	4	4	4
19	E1778	" outer " "	—	4	—	—	—
20	E1487	" " " "	—	4	4	4	4
21	E1757	Collar, valve spring top	4	—	—	—	—
22	E1543	" " " "	—	4	4	4	4
23	E1758	Cup, valve spring bottom	4	—	—	—	—
24	E1544	" " " "	—	4	4	4	4
25	WE259A	Cotter, valve split	8	8	8	8	8

## PISTONS

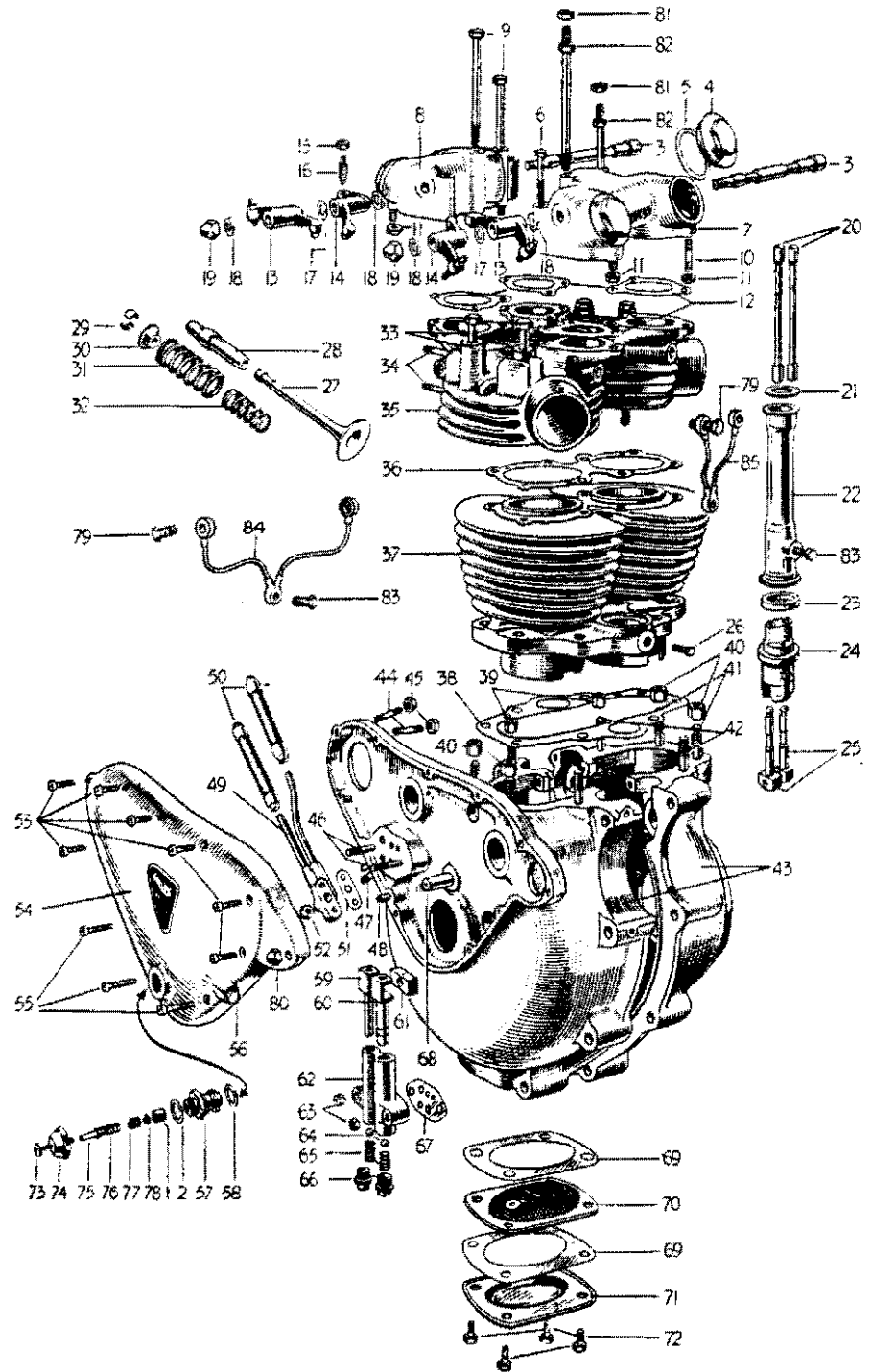
26	E1748	Piston body, standard CR. 6.3 : 1	2	—	—	—	—
27	E1748/10	" " + .010" "	2	—	—	—	—
28	E1748/20	" " + .020" "	2	—	—	—	—
29	E1748/30	" " + .030" "	2	—	—	—	—
30	E1748/40	" " + .040" "	2	—	—	—	—
31	E1563	" " standard CR. 7 : 1	—	2	—	—	—
32	E1563/10	" " + .010" "	—	2	—	—	—
33	E1563/20	" " + .020" "	—	2	—	—	—
34	E1563/30	" " + .030" "	—	2	—	—	—
35	E1563/40	" " + .040" "	—	2	—	—	—
36	E2891	" " standard	—	—	2	—	—
37	E2891/10	" " + .010" "	—	—	2	—	—
38	E2891/20	" " + .020" "	—	—	2	—	—
39	E2891/30	" " + .030" "	—	—	2	—	—
40	E2891/40	" " + .040" "	—	—	2	—	—
41	E3000	" " standard CR. 8.5 : 1	—	—	2	—	—

SEE PAGES 12-19 FOR CARTON PACKS

5T MODEL

INDEX TO ILLUSTRATION ON PAGE 22

Illust. No.	Part No.	Page	Ref.	Illust. No.	Part No.	Page	Ref.
1	G5.251	34	27	43	E.2219 20A	31	2
2	G5.254	34	30	44	E.2022	31	15
3	E.1512	38	15	45	F.1008	31	16
4	E.1564	37	17	46	E.1536	31	23
5	E.1577	37	19	47	E.1539	31	18
6	E.1545	38	1	48	E.1535	31	22
7	E.1462	37	9	49	E.1526	85	6
8	E.1461	37	7	50	MF.119	85	11
9	E.1484	20	22	51	E.1529	85	8
10	E.1540	37	12	52	S1-51	85	9
11	F.879	37	14	53	E.427	35	16
12	E.1650	37	11	54	E.2218 5T	35	2
13	E.1458	38	7	55	E.1049	35	17
14	E.1457	38	5	56	E.2615	35	13
15	E.470	38	10	57	E.2794	34	26
16	E.1513	38	9	58	E.1670	34	29
17	E.1575	38	12	59	G5.153	34	18
18	E.1574	38	13	60	E.1476	34	19
19	E.1435	38	16	61	E.495	34	20
20	E.1693	36	8	62	G5.35	34	17
21	E.1497	37	6	63	F.879	31	24
22	E.1505	37	2	64	S.70-7	34	21
23	E.1496	37	5	65	E.403	34	22
24	E.1477	36	3	66	E.386	34	23
25	E.3059	36	1	67	E.1537	34	24
26	H.200	36	5	68	E.375	35	31
27	E.1955 (inlet)	21	8	69	E.487	31	34
	E.1956 (exhaust)	21	12	70	E.529	31	33
28	E.2899 (inlet)	21	15	71	E.486	31	35
	E.2900 (exhaust)	21	16	72	MT.63	31	36
29	WE.259A	21	25	73	E.2791	34	32
30	E.1543	21	22	74	E.2790	34	28
31	E.1487	21	20	75	E.2793	34	33
32	E.1488	21	18	76	E.2788	34	31
33	E.327	20	21	77	E.2789	34	34
34	E.1554	20	36	78	E.2792	34	35
35	E.2928	20	9	79	E.1601	38	24
36	E.2248	20	15	80	E.2228	107	24
37	E.2927	20	2	81	S.1-52	60	5
38	E.2249	20	6	82	E.1596	20	23
39	W.76	31	8	83	E.984	38	27
40	PO.172A	31	9	84	G5.272	38	22
41	E.672	31	6	85	G5.273	38	23
42	E.1614	31	7				



ENGINE 5T AND 6T—CRANKCASE, CYLINDER BLOCK AND CYLINDER HEAD, ETC.

FOR IDENTIFICATION OF PARTS SEE PAGE 6

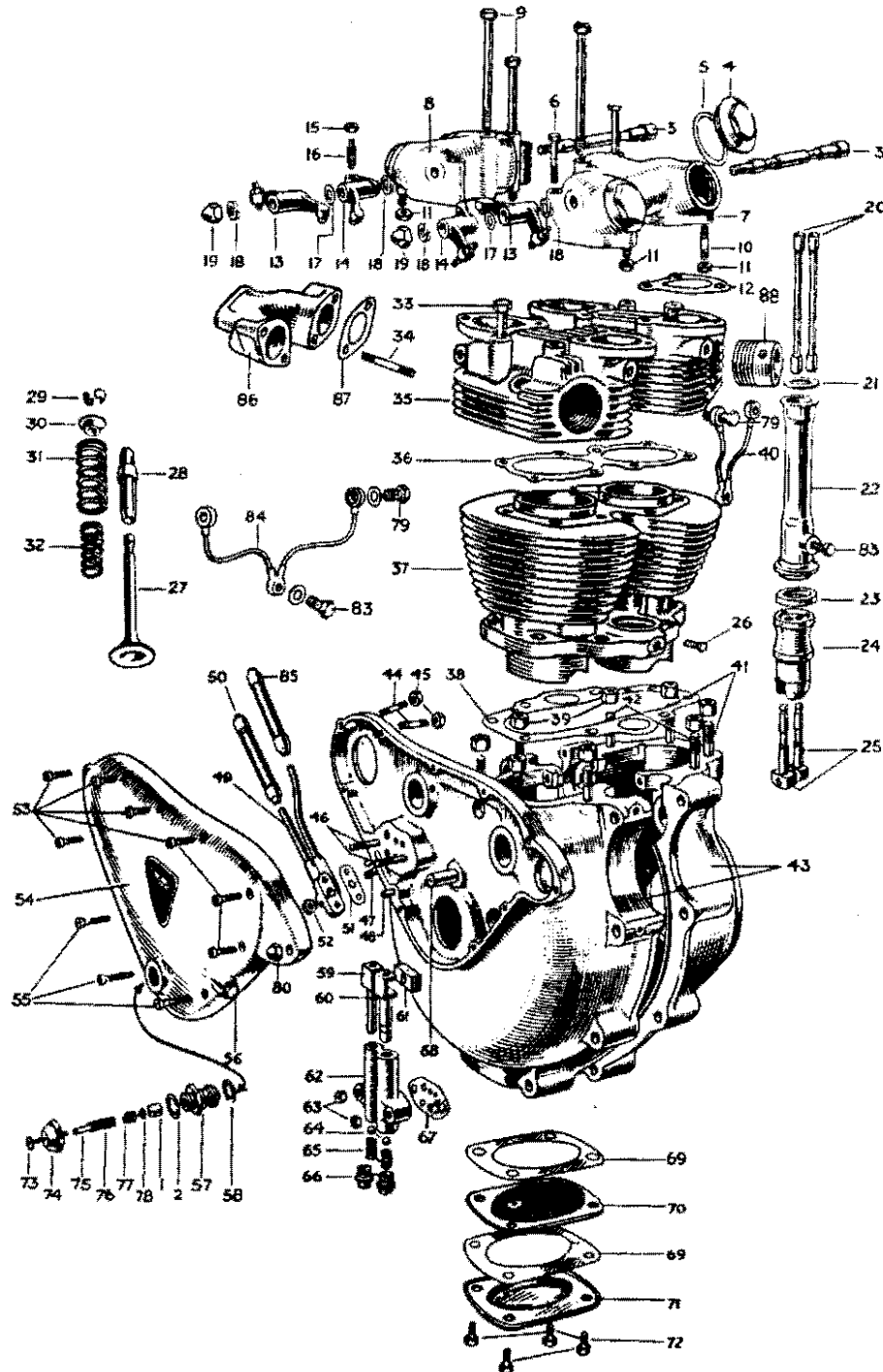
6T MODEL

INDEX TO ILLUSTRATION ON PAGE 22

Illust. No.	Part No.	Page	Ref.	Illust. No.	Part No.	Page	Ref.
1	GS.251	34	27	43	E.2892/3	31	3
2	GS.254	34	30	44	E.2022	31	15
3	E.1512	38	15	45	F.1008	41	16
4	E.1564	37	17	46	E.1536	31	23
5	E.1577	37	19	47	E.1539	31	18
6	E.1545	38	1	48	E.1535	31	22
7	E.1462	37	9	49	E.1526	85	6
8	E.1461	37	7	50	MF.119	85	11
9	E.1484	20	22	51	E.1529	85	8
10	E.1540	37	12	52	S1-51	85	9
11	F.879	37	14	53	E.427	35	16
12	E.1650	37	11	54	E.2218/6T	35	3
13	E.1458	38	7	55	E.1049	35	17
14	E.1457	38	5	56	E.2415	35	13
15	E.470	38	10	57	E.2794	34	26
16	E.1513	38	9	58	E.1670	34	29
17	E.1575	38	12	59	GS.153	34	18
18	E.1574	38	13	60	E.1476	34	19
19	E.1435	38	16	61	E.495	34	20
20	E.1693	36	8	62	GS.35	34	17
21	E.1497	37	6	63	F.879	31	24
22	E.1505	37	2	64	S.70-7	34	21
23	E.1496	37	5	65	E.403	34	22
24	E.1477	36	3	66	E.386	34	23
25	E.3059	36	1	67	E.1537	34	24
26	H.200	36	5	68	E.375	35	31
27	E.2903 (inlet)	21	9	69	E.487	31	34
	E.2904 (exhaust)	21	13	70	E.529	31	33
28	E.2899 (inlet)	21	15	71	E.486	31	35
	E.2900 (exhaust)	21	16	72	MT.63	31	36
29	WE.259A	21	25	73	E.2791	34	32
30	E.1543	21	22	74	E.2790	34	28
31	E.1487	21	20	75	E.2793	34	33
32	E.1488	21	18	76	E.2788	34	31
33	E.327	20	21	77	E.2789	34	34
34	E.2920	20	37	78	E.2792	34	35
35	E.2896	20	10	79	E.1601	38	24
36	E.2905	20	16	80	E.2228	107	24
37	E.2895	20	3	81	S.1-52	60	5
38	E.2894	20	7	82	E.1596	20	23
39	W.76	31	8	83	E.984	38	27
40	PO.172A	31	9	84	GS.272	38	22
41	E.672	31	6	85	GS.273	38	23
42	E.1614	31	7				

REF. No.	PART No.	DESCRIPTION	3T	5T	6T	TR5	T100
1	E1969	Piston body, standard CR. 6 : 1	—	—	—	2	—
2	E1969/10	" " — .010" "	—	—	—	2	—
3	E1969/20	" " — .020" "	—	—	—	2	—
4	E3052	" " standard CR. 5 : 1	—	—	—	2	—
5	E3052/20	" " + .020" "	—	—	—	2	—
6	E1908	" " standard CR. 7.6 : 1	—	—	—	—	2
7	E1908/10	" " — .010" "	—	—	—	—	2
8	E1908/20	" " + .020" "	—	—	—	—	2
9	E1766	Ring, piston compression, standard	2	—	—	—	—
10	E1766/10	" " — .010" "	2	—	—	—	—
11	E1766/20	" " — .020" "	2	—	—	—	—
12	E1766/30	" " — .030" "	2	—	—	—	—
13	E1766/40	" " — .040" "	2	—	—	—	—
14	E3047	" " standard (Taper)	2	—	—	—	—
15	E3047/10	" " — .010" "	2	—	—	—	—
16	E3047/20	" " — .020" "	2	—	—	—	—
17	E3047/30	" " — .030" "	2	—	—	—	—
18	E3047/40	" " — .040" "	2	—	—	—	—
19	E656	" " standard	—	2	—	2	2
20	E656/10	" " — .010" "	—	2	—	2	2
21	E656/20	" " — .020" "	—	2	—	2	2
22	E656/30	" " — .030" "	—	2	—	2	2
23	E656/40	" " — .040" "	—	2	—	2	2
24	E3048	" " standard (Taper)	—	2	—	2	2
25	E3048/10	" " — .010" "	—	2	—	2	2
26	E3048/20	" " — .020" "	—	2	—	2	2
27	E3048/30	" " — .030" "	—	2	—	2	2
28	E3048/40	" " — .040" "	—	2	—	2	2
29	E2897	" " standard	—	—	2	—	—
30	E2897/10	" " — .010" "	—	—	2	—	—
31	E2897/20	" " — .020" "	—	—	2	—	—
32	E2897/30	" " — .030" "	—	—	2	—	—
33	E2897/40	" " — .040" "	—	—	2	—	—
34	E3049	" " standard (Taper)	—	—	2	—	—
35	E3049/10	" " — .010" "	—	—	2	—	—
36	E3049/20	" " — .020" "	—	—	2	—	—
37	E3049/30	" " — .030" "	—	—	2	—	—
38	E3049/40	" " — .040" "	—	—	2	—	—
39	E1819	" " scraper standard	2	—	—	—	—
40	E1819/10	" " — .010" "	2	—	—	—	—
41	E1819/20	" " — .020" "	2	—	—	—	—
42	E1819/30	" " — .030" "	2	—	—	—	—
43	E1819/40	" " — .040" "	2	—	—	—	—
44	GE29	" " standard	—	2	—	2	2
45	GE29/10	" " — .010" "	—	2	—	2	2
46	GE29/20	" " — .020" "	—	2	—	2	2
47	GE29/30	" " — .030" "	—	2	—	2	2
48	GE29/40	" " — .040" "	—	2	—	2	2

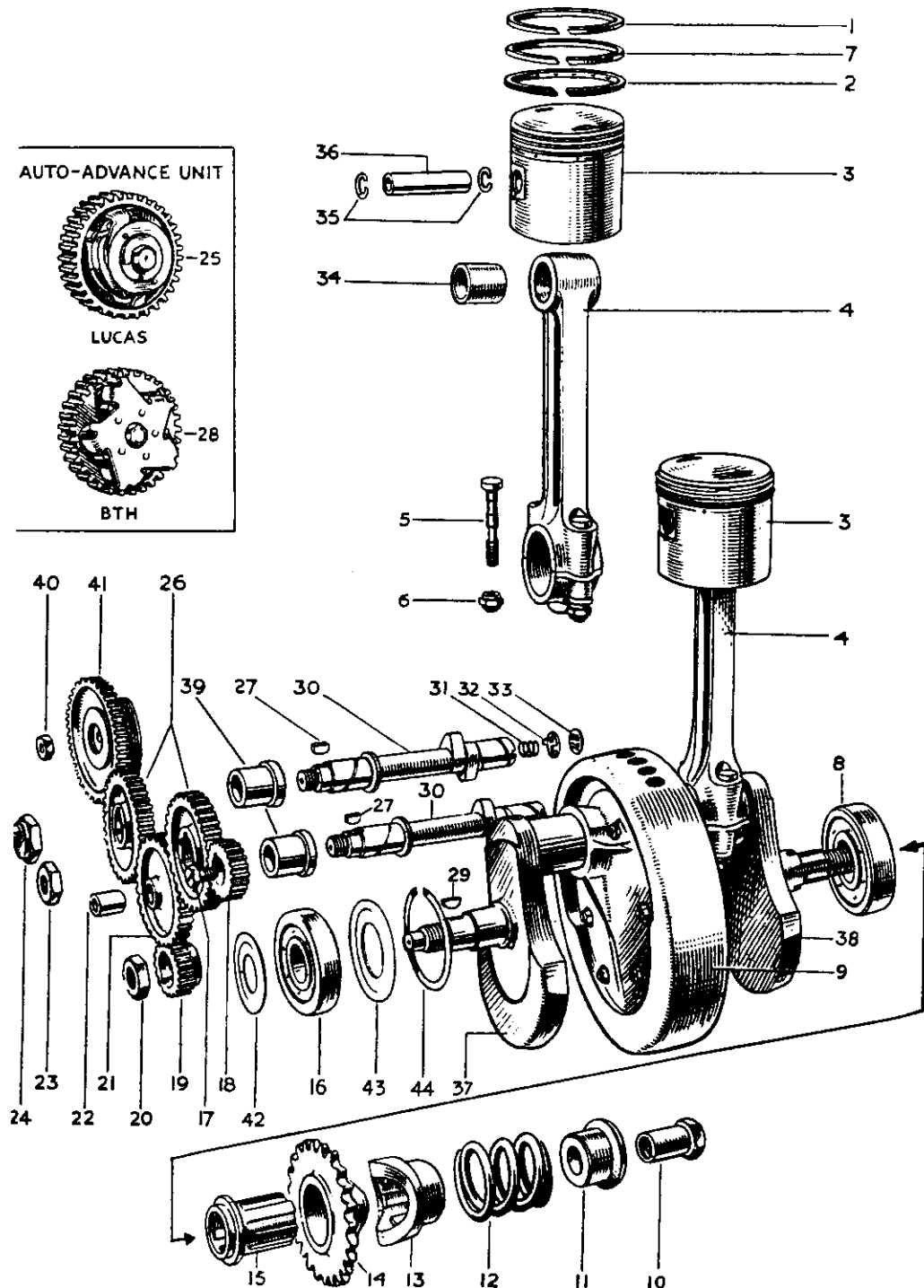
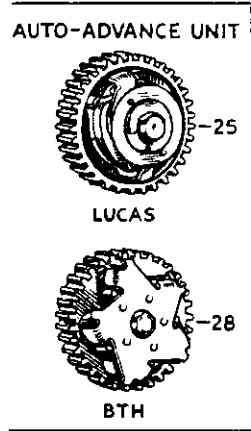
TR5 AND T100 MODELS  
INDEX TO ILLUSTRATION ON PAGE 26



Illust. No.	Part No.	Page	Ref.	Illust. No.	Part No.	Page	Ref.
1	GS.251	34	27	44	E.2022	31	15
2	GS.254	34	30	45	F.1008	31	16
3	E.1512	38	15	46	E.1536	31	23
4	E.1564	37	17	47	E.1539	31	18
5	E.1577	37	19	48	E.1535	31	22
6	E.2982	38	2	49	E.2799 (TR.5)	85	7
7	E.1462T	37	10		E.1526 (T100)	85	6
8	E.1461T	37	8	50	MF.119 (T100)	85	11
9	E.2874	20	26	51	E.1529	85	8
10	E.2980	37	13	52	SI-51	85	9
11	F.879	37	14	53	E.427	35	16
12	E.1650	37	11	54	E.2218 TR5	35	4
13	E.1458	38	7		E.2218 T100	35	5
14	E.1457	38	5	55	E.1049	35	17
15	E.470	38	10	56	E.2615	35	13
16	E.1513	38	9	57	E.2794	34	26
17	E.1575	38	12	58	E.1670	34	29
18	E.1574	38	13	59	GS.153	34	18
19	E.1435	38	16	60	E.1476	34	19
20	E.2620	36	9	61	E.495	34	20
21	E.1497	37	6	62	GS.35	34	17
22	E.2804	37	3	63	F.879	31	24
23	E.2425	37	4	64	S.70-7	34	21
24	E.2803	36	4	65	E.403	34	22
25	E.3059	36	1	66	E.386	34	23
26	H.200	36	5	67	E.1537	34	24
27	E.2969 (inlet)	21	10	68	E.375	35	31
	E.1956 (exhaust)	21	12	69	E.487	31	34
28	E.2899 (inlet)	21	15	70	E.529	31	33
	E.2900 (exhaust)	21	16	71	E.486	31	35
29	WE.259A	21	25	72	MT.63	31	36
30	E.1543	21	22	73	E.2791	34	32
31	E.1487	21	20	74	E.2790	34	28
32	E.1488	21	18	75	E.2793	34	33
33	E.2873	20	25	76	E.2788	34	31
34	E.2972 (long)	20	38	77	E.2789	34	34
	E.2973 (short)	20	39	78	E.2792	34	35
35	E.3021 (TR.5)	20	11	79	E.2767	38	25
	E.3005 (T.100)	20	12	80	E.2228	107	24
36	E.3003	20	17	83	E.984	38	27
37	E.2957	20	4	84	GS.272	38	22
38	E.2249	20	6	85	MF.119A	85	12
39	E.2412	31	10	86	E.2991 (TR.5)	20	31
40	GS.273	38	22		E.2991T (T100)	20	32
41	E.672	31	6	87	E.2967	20	35
42	E.1614	31	7	88	E.2961	20	13
43	E.2219/20A	31	2				

FOR IDENTIFICATION OF PARTS SEE PAGE 6

ENGINE TR5 AND T100—CRANKCASE, CYLINDER BLOCK,



**ENGINE 5T, 6T, TR5 AND T100—CRANKSHAFT, CONNECTING RODS, PISTONS, TIMING GEAR, ETC.**

**5T AND 6T MODELS  
INDEX TO ILLUSTRATION ON PAGE 28**

Illust. No.	Part No.	Page	Ref.	Illust. No.	Part No.	Page	Ref.
1	E.656	25	19	20	E.398	35	21
	E.2897	25	29	21	E.1471	35	29
2	GE.29	25	44	22	E.400	35	30
	E.2898	30	1	23	E.1492	35	26
3	E.1563	21	31	24	E.1463	35	27
	E.2891	21	36	25	47502A	35	33
4	E.2921	30	33	26	E.1486A	35	24
5	E.2490A	30	37	27	E.1558	35	25
6	E.2922	30	38	28	E.1992	35	32
7	E.3048	25	24	29	E.1580	35	20
	E.3049	25	34	30	E.2302	35	23
8	E.1591	31	41	31	E.2256	35	38
9	E.2918	30	15	32	E.2254	35	36
	E.2908	30	16	33	GS.87	35	37
10	E.509	38	45	34	E.1511	30	36
11	E.396	38	44	35	WE.479	30	9
12	E.2912	38	43	36	E.203E	30	7
13	E.1681	38	40	37	E.2915	30	19
14	E.2826C	38	31		E.2902	30	20
	E.2826A	38	33	38	E.2914	30	23
15	E.1521	38	41		E.2901	30	24
16	E.2877	31	39	39	E.1479	34	3
17	111700	107	22	42	E.2883	30	42
18	E.2451	107	21	43	E.2296	34	1
19	E.1472	35	19	44	E.489	34	2

**TR5 AND T100 MODELS**

Illust. No.	Part No.	Page	Ref.	Illust. No.	Part No.	Page	Ref.
1	E.656	25	19	21	E.1471	35	29
2	GE.29	25	44	22	E.400	35	30
3	E.1969	25	1	23	E.1492	35	26
	E.1908	25	6	24	E.1463	35	27
4	E.2921	30	33	26	E.1486A	35	24
	E.2921T	30	34	27	E.1558	35	25
5	E.2490A	30	37	29	E.1580	35	20
6	E.2922	30	38	30	E.2302	35	23
7	E.3048	25	24	31	E.2256	35	38
8	E.1591	31	41	32	E.2254	35	36
9	E.2918	30	15	33	GS.87	35	37
	E.2918T	30	17	34	E.1511	30	36
10	E.509	38	45	35	WE.479	30	9
11	E.396	38	44	36	WE.203E	30	7
12	E.2912	38	43	37	E.2915	30	19
13	E.1681	38	40		E.2915T	30	21
14	E.2826D	38	34	38	E.2914	30	23
	E.2826C	38	31		E.2914T	30	25
15	E.1521	38	41	39	E.1479	34	3
16	E.2877	31	39	40	K.164 3/8 STD.	35	35
17	111700	107	22	41	E.2741	35	34
18	E.2451	107	21	42	E.2883	31	42
19	E.1472	35	19	43	E.2296	34	1
20	E.398	35	21	44	E.489	34	2

REF. No.	PART No.	DESCRIPTION	3T	5T	6T	TR5	T100
1	E2898	Ring, Piston, Scaper, standard	—	—	2	—	—
2	E2898 10	" " " " —.010"	—	—	2	—	—
3	E2898 20	" " " " —.020"	—	—	2	—	—
4	E2898 30	" " " " —.030"	—	—	2	—	—
5	E2898 40	" " " " —.040"	—	—	2	—	—
6	E1750	Pin, gudgeon ... ..	2	—	—	—	—
7	WE203E	" " " " " " " " " "	—	2	2	2	2
8	E1767	Circlip, gudgeon pin retaining	4	—	—	—	—
9	WE479	" " " " " " " " " "	—	4	4	4	4

### CRANKSHAFT AND FLYWHEEL ASSEMBLY

10	E2200A	Crankshaft and flywheel Assy. c w con-rods	1	—	—	—	—
11	E2984	" " " " " only	—	1	—	1	—
12	E2911	" " " " " " "	—	—	1	—	—
13	E2984T	" " " " " " "	—	—	—	1	—
14	E1745	Flywheel	1	—	—	—	—
15	E2918	" " " " " " " "	—	1	—	1	—
16	E2908	" " " " " " " "	—	—	1	—	—
17	E2918T	" " " " " " " "	—	—	—	1	—
18	E1747	Crankshaft, Timing side	1	—	—	—	—
19	E2915	" " " " " " " "	—	1	—	1	—
20	E2902	" " " " " " " "	—	—	1	—	—
21	E2915T	" " " " " " " "	—	—	—	1	—
22	E2200	" " Driving " " " " " "	1	—	—	—	—
23	E2914	" " " " " " " "	—	1	—	1	—
24	E2901	" " " " " " " "	—	—	1	—	—
25	E2914T	" " " " " " " "	—	—	—	1	—
26	E1790	Tube, crankshaft connection...	1	—	—	—	—
27	E393	Plug, " " " " " " " "	—	1	1	1	1
28	E1760	Bolt, " " to flywheel	2	—	—	—	—
29	E1562	" " " " " " " "	—	6	6	6	6
30	E1797	Nut, " " " " bolt	2	—	—	—	—
31	W103	" " " " " " " "	—	6	6	6	6

### CONNECTING RODS

32	E1749	Rod, connecting	2	—	—	—	—
33	E2921	" " " " " " " "	—	2	2	2	—
34	E2921T	" " " " " " " "	—	—	—	2	—
35	E1762	Bush, " " rod small end	2	—	—	—	—
36	E1511	" " " " " " " "	—	2	2	2	2
37	E2490A	Bolt " " to cap	—	4	4	4	4
38	E2922	Nut " " " " bolt	—	4	4	4	4

WHEN IN DOUBT SEND SAMPLE

REF. No.	PART No.	DESCRIPTION	3T	5T	6T	TR5	T100
<b>CRANKCASE</b>							
1	E2250 51A	Crankcase assembly less main bearings	1	—	—	—	—
2	E2219 20A	" " " " " " "	—	1	—	1	1
3	E2892 3	" " " " " " "	—	—	1	—	—
4	E2462	Stud, crankcase cylinder base—long	4	—	—	—	—
5	E2463	" " " " " " short	4	—	—	—	—
6	E672	" " " " " " "	—	6	6	6	6
7	E1614	" " " " " " (Dowel)	—	2	2	2	2
8	W76	Nut, " " " " Stud	8	4	4	—	—
9	P0172A	" " " " " " " "	—	4	4	—	—
10	E2412	" " " " " " " "	—	—	—	8	8
11	G5308	Washer, " " " " " " "	—	—	—	8	8
12	E1534A	Dowel, " " " " " " (E1614)	—	2	2	2	2
13	E1579	" " " " " " halves	1	1	1	1	1
14	E1534A	" " " " " " hollow	—	1	1	1	1
15	E2022	Stud, mangeto to crankcase	3	3	3	3	3
16	F1008	Nut, " " " " Stud	3	3	3	3	3
17	S25-3	Washer, " " " " " " "	3	3	3	3	3
18	E1539	Stud, oil junction block	1	1	1	1	1
19	S1-51	Nut, " " " " " " Stud	1	1	1	1	1
20	S23-3	Washer, " " " " " " "	1	1	1	1	1
21	E1532	Dowel, " " " " " " "	1	1	1	1	1
22	E1535	Dowel, crankcase to timing cover	1	1	1	1	1
23	E1536	Stud, oil pump fixing	2	2	2	2	2
24	F879	Nut, " " " " " " Stud	2	2	2	2	2
25	E2312	Washer, " " " " " " "	2	2	2	2	2
26	E1770	Pipe, crankcase oil return	1	—	—	—	—
27	E1508	" " " " " " " "	—	1	1	1	1
28	E1509	Clip, " " " " pipe	1	1	1	1	1
29	E1645	Screw, " " " " " " "	1	1	1	1	1
30	E2615	Plug, crankcase oil	1	—	—	—	—
31	E1335	Washer, " " " " plug	1	—	—	—	—
32	E2311	Pin, breather locating	1	1	1	1	1

### CRANKCASE OIL FILTER

33	E529	Filter, crankcase oil	1	1	1	1	1
34	E487	Washer, " " filter joint	2	2	2	2	2
35	E486	Cover, " " " " " " "	1	1	1	1	1
36	MT63	Bolt, " " " " " " "	4	4	4	4	4
37	S26-2	Washer, " " " " spring	4	4	4	4	4

### CRANKCASE BEARINGS

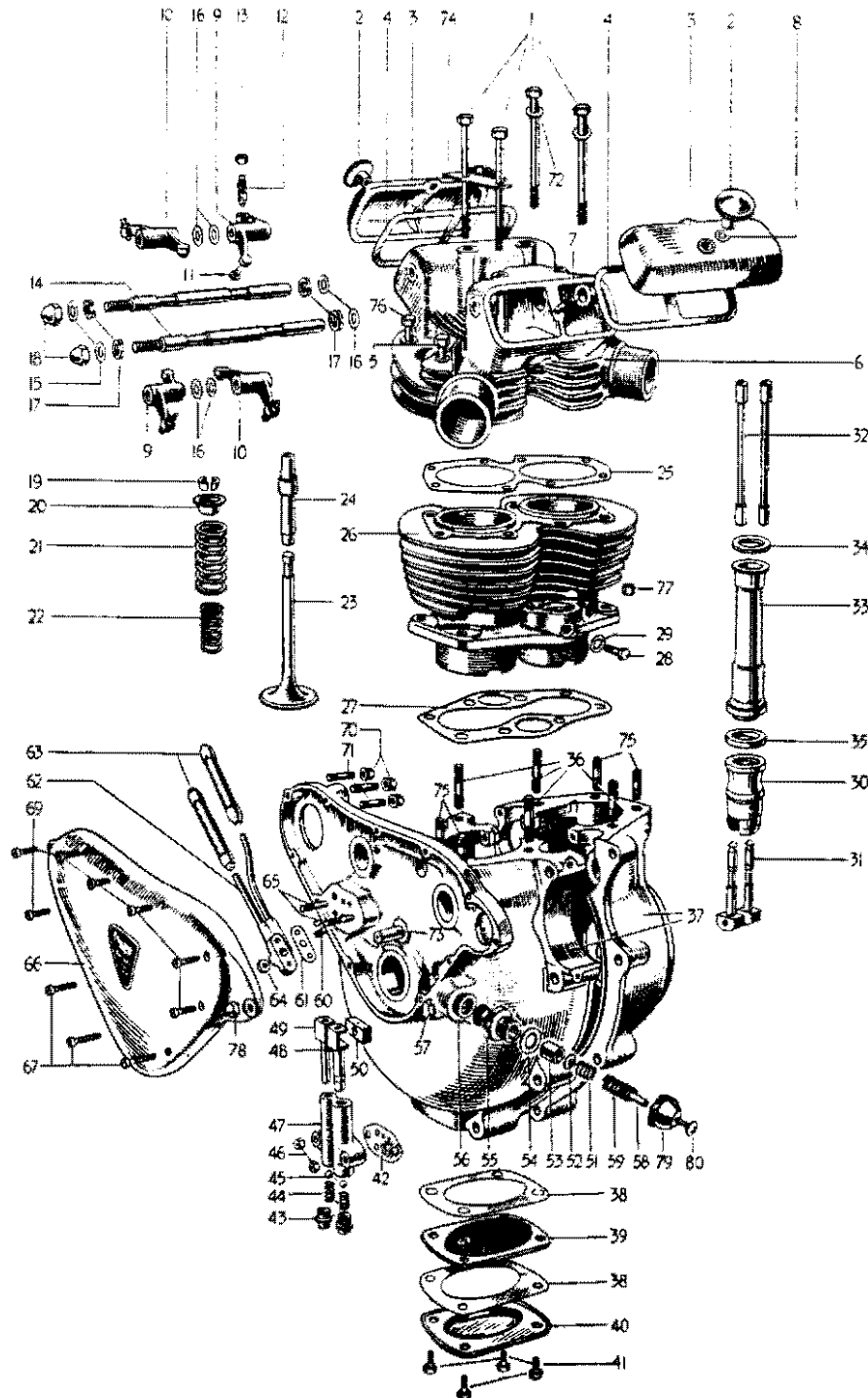
38	E1769	Bearing, crankcase timing side (plain)	1	—	—	—	—
39	E2877	" " " " " " (roller)	—	1	1	1	1
40	E1592	" " " " driving " (ball)	1	—	—	—	—
41	E1591	" " " " " " (ball)	—	1	1	1	1
42	E2883	Chip shield, timing side bearing	—	1	1	1	1

CRANKCASE HALVES CANNOT BE SUPPLIED SEPARATELY



3T MODEL

INDEX TO ILLUSTRATION ON PAGE 32



Illust. No.	Part No.	Page	Ref.	Illust. No.	Part No.	Page	Ref.
1	F.1795	20	20	40	E.486	31	35
2	E.1912	37	21	41	MT.63	31	36
3	E.1779	37	16	42	E.1537	34	24
4	E.1780	37	18	43	E.386	34	23
5	E.2631	20	19	44	E.403	34	22
6	E.2645	20	8	45	S.70-7	34	21
7	E.1987	37	23	46	F.879	31	24
8	PT.104B	37	22	47	GS.35	34	17
9	E.1755	38	4	48	E.1476	34	19
10	E.1756	38	6	49	GS.153	34	18
11	E.1483	38	8	50	E.495	34	20
12	E.1513	38	9	51	E.2789	34	34
13	E.470	38	10	52	E.2792	34	35
14	E.1813	38	14	53	GS.251	34	27
15	E.1330	38	11	54	GS.254	34	30
16	E.1575	38	12	55	E.2794	34	26
17	E.1574	38	13	56	E.1670	34	29
18	E.1435	38	16	57	E.2615	31	30
19	WE.259A	21	25	58	E.2793	34	33
20	E.1757	21	21	59	E.2788	34	31
21	E.1778	21	19	60	E.1539	31	18
22	E.1777	21	17	61	E.1529	85	8
23	E.1751 (inlet)	21	7	62	E.2457	85	5
	E.1752 (exhaust)	21	11	63	MF.119	85	11
24	E.1759	21	14	64	S.1-51	65	9
25	E.2614	20	14	65	E.1536	31	23
26	E.2461	20	1	66	E.2252	35	1
27	E.2677	20	5	67	E.1049	35	17
28	H.200	36	5	69	E.452	35	15
29	E.2312	36	6	70	F.1008	31	16
30	E.1837	36	2	71	E.2022	31	15
31	E.3059	36	1	73	E.375	35	31
32	E.1785	36	7	74	F.2380	51	28
33	E.1838	37	1	75	E.2463	31	5
34	E.1497	37	6	76	E.2632	20	18
35	E.2425	37	4	77	W.76	31	8
36	E.2462	31	4	78	E.2228	107	24
37	E.2250 51A	31	1	79	E.2790	34	28
38	E.487	31	34	80	E.2791	34	32
39	E.529	31	33				

ENGINE 3T—CRANKCASE, CYLINDER BLOCK, CYLINDER HEAD, ETC.

FOR IDENTIFICATION OF PARTS SEE PAGE 6

REF. No.	PART No.	DESCRIPTION	3T	5T	6T	TR5	T100
1	E2296	Disc, timing side bearing	—	1	1	1	1
2	E489	Ring, " " " retaining	—	1	1	1	1
3	E1479	Bush, " " camshaft	2	2	2	2	2
4	E1516	" " driving	1	1	1	1	1
5	E2260	" " " " (breather)	1	1	1	1	1
<b>STUDS AND BOLTS FOR CRANKCASE HALVES</b>							
6	E1555	Bolt, crankcase top rear	—	1	1	1	1
7	S25-3	Washer, " " " bolt	—	1	1	1	1
8	E3012	Stud, " " " "	1	—	—	—	—
9	S1-51	Nut, " " " stud	2	—	—	—	—
10	S25-3	Washer, " " " "	2	—	—	—	—
11	E925	Stud, " " bottom front	1	—	—	—	—
12	T456	" " " " "	—	1	1	1	1
13	S1-51	Nut, " " " stud	2	2	2	2	2
14	S25-3	Washer, " " " "	2	2	2	2	2
15	E1647	Screw, " " inside boss	2	2	2	2	2

FOR ENGINE PLATE STUDS SEE PAGES 58 AND 59

**OIL PUMP**

16	GS326	Pump assembly, oil	1	1	1	1	1
17	GS35	Body, oil pump	1	1	1	1	1
18	GS153	Plunger, oil pump feed	1	1	1	1	1
19	E1476	" " " scavenge	1	1	1	1	1
20	E495	Block, " " slider	1	1	1	1	1
21	S70-7	Ball, " " valve	2	2	2	2	2
22	E403	Spring, " " " "	2	2	2	2	2
23	E386	Plug, " " " "	2	2	2	2	2
24	E1537	Washer, " " joint	1	1	1	1	1

**RELEASE VALVE**

25	E2795	Valve, release and oil indicator	1	1	1	1	1
26	E2794	Body, " " valve	1	1	1	1	1
27	GS251	Piston, " " " "	1	1	1	1	1
28	E2790	Cap, " " " "	1	1	1	1	1
29	E1760	Washer, " " body	1	1	1	1	1
30	GS254	" " " cap	1	1	1	1	1
31	E2788	Spring, " " main	1	1	1	1	1
32	E2791	Shaft, indicator button	1	1	1	1	1
33	E2793	Tube, " " rubber	1	1	1	1	1
34	E2789	Spring, " " auxiliary	1	1	1	1	1
35	E2792	Nut, " " shaft	1	1	1	1	1

ALWAYS QUOTE PART NUMBERS

REF. No.	PART No.	DESCRIPTION	3T	5T	6T	TR5	T100
<b>TIMING COVER</b>							
1	E2252	Cover, timing gear	1	—	—	—	—
2	E2218 5T	" " " "	—	1	—	—	—
3	E2218 6T	" " " "	—	—	1	—	—
4	E2218 TR5	" " " "	—	—	—	1	—
5	E2218 T100	" " " "	—	—	—	—	1
6	E1891	Patent plate	1	—	—	—	—
7	E1595	" " " "	—	1	—	—	—
8	E2909	" " " "	—	—	1	—	—
9	E2876	" " " "	—	—	—	1	—
10	E1678	" " " "	—	—	—	—	1
11	D208-5	Rivet, patent plate	3	3	3	3	3
12	E378	Bush, timing gear cover	—	1	1	1	1
13	E2615	Plug, " " " "	—	1	1	1	1
14	E1335	Washer, " " " "	—	1	1	1	1
15	E452	Screw, " " " short	6	—	—	—	—
16	E427	" " " " medium	2	7	7	7	7
17	E1049	" " " " long	2	3	3	3	3

**TIMING GEAR**

18	E1771	Pinion, timing	1	—	—	—	—
19	E1472	" " " "	—	1	1	1	1
20	E1580	Key, " " pinion	1	1	1	1	1
21	E398	Nut, " " " "	1	1	1	1	1
22	E2266	Camshaft, inlet and exhaust	2	—	—	—	—
23	E2302	" " " " "	—	2	2	2	2
24	E1486A	Wheel, " " " camshaft	2	2	2	2	2
25	E1558	Key, camshaft wheel	2	2	2	2	2
26	E1492	Nut, " " " exhaust	1	1	1	1	1
27	E1463	" " " " inlet (pump drive)	1	1	1	1	1
28	E2202	Wheel, intermediate gear	1	—	—	—	—
29	E1471	" " " " "	—	1	1	1	1
30	E400	Bush, " " " wheel	1	1	1	1	1
31	E375	Spindle, " " " "	1	1	1	1	1
32	E1992	Gear, magneto c w auto advance (B.T.H.)	1	1	1	—	—
33	47502A	" " " " (Lucas)	1	1	1	—	—
34	E2741	" " " (Fixed)	—	—	—	1	1
35	K164	Nut, " " gear $\frac{1}{2}$ " Std.	—	—	—	1	1

**CRANKCASE BREATHER**

36	E2254	Valve, crankcase rotary	1	1	1	1	1
37	GS87	Disc, " " " valve	1	1	1	1	1
38	E2256	Spring, " " " "	1	1	1	1	1
39	E2724	Pipe, " " breather	1	1	1	1	1

ALL GOODS MUST BE SENT TO THE WORKS CARRIAGE PAID

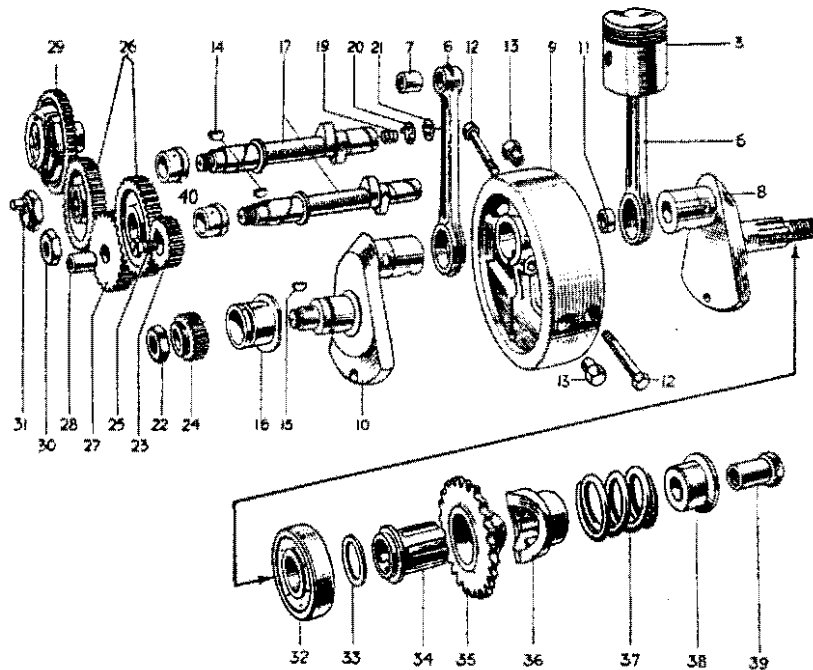
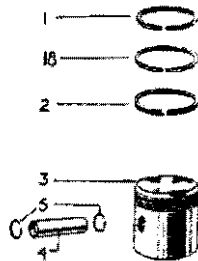
REF. No. PART No. DESCRIPTION 3T 5T 6T TR5 T100

**TAPPETS AND TAPPET BLOCKS**

1	E3059	Tappet	...	...	...	...	...	4	4	4	4	4
2	E1837	Block, tappet guide	...	...	...	...	...	2	—	—	—	—
3	E1477	"	"	"	"	"	"	—	2	2	—	—
4	E2803	"	"	"	"	"	"	—	—	—	2	2
5	H200	Screw, " " block lock	...	...	...	...	...	2	2	2	2	2
6	E2312	Washer, " " " "	...	...	...	...	...	2	2	2	2	2

**PUSH RODS**

7	E1785	Rod, push	...	...	...	...	...	4	—	—	—	—
8	E1693	"	"	"	"	"	"	—	4	4	—	—
9	E2620	"	"	"	"	"	"	—	—	—	4	4



**ENGINE 3T—CRANKSHAFT, CONNECTING RODS, PISTONS, TIMING GEARS, ETC.**

REF. No. PART No. DESCRIPTION 3T 5T 6T TR5 T100

**PUSH ROD COVER TUBE**

1	E1838	Tube, push rod cover	...	...	...	...	...	2	—	—	—	—
2	E1505	"	"	"	"	"	"	—	2	2	—	—
3	E2804	"	"	"	"	"	"	—	—	—	2	2
4	E2425	Washer, push rod cover lower seal	...	...	...	...	...	2	—	—	2	2
5	E1496	"	"	"	"	"	"	—	2	2	—	—
6	E1497	"	"	"	"	"	"	2	2	2	2	2

**OVERHEAD ROCKER GEAR**

7	E1461	Box, inlet rocker	...	...	...	...	...	—	1	1	—	—
8	E1461T	"	"	"	"	"	"	—	—	—	1	1
9	E1462	"	exhaust rocker	...	...	...	...	—	1	1	—	—
10	E1462T	"	"	...	...	...	...	—	—	—	1	1
11	E1650	Gasket, rocker box joint	...	...	...	...	...	—	4	4	4	4
12	E1540	Stud, " " (to cylinder head)	...	...	...	...	...	—	4	4	—	—
13	E2980	"	"	"	"	"	"	—	—	—	4	4
14	F879	Nut, " " " " " "	...	...	...	...	...	—	4	4	4	4
15	S25-43	Washer, " " nut	...	...	...	...	...	—	—	—	4	4
16	E1779	Cap, " " inspection	...	...	...	...	...	2	—	—	—	—
17	E1564	"	"	"	"	"	"	—	4	4	4	4
18	E1780	Washer, " " " cap	...	...	...	...	...	2	—	—	—	—
19	E1577	"	"	"	"	"	"	—	4	4	4	4
20	E2423	Dowel, " " " " " "	...	...	...	...	...	2	—	—	—	—
21	E1912	Nut, inspection cap	...	...	...	...	...	2	—	—	—	—
22	PT104B	Washer, " " (fibre)	...	...	...	...	...	2	—	—	—	—
23	E1987	Stud, " " " to head	...	...	...	...	...	2	—	—	—	—

**3T MODEL INDEX TO ILLUSTRATION ON PAGE 36**

Illust. No.	Part No.	Page	Ref.	Illust. No.	Part No.	Page	Ref.
1	E.1766	25	9	21	G5.87	35	37
2	E.1819	25	39	22	E.398	35	21
3	E.1748	21	26	23	E.2451	107	21
4	E.1750	30	6	24	E.1771	35	18
5	E.1767	30	8	25	111700	107	22
6	E.1749	30	32	26	E.1486A	35	24
7	E.1762	30	35	27	E.2202	35	28
8	E.2200	30	22	28	E.400	35	30
9	E.1745	30	14	29	47502A (Lucas)	35	33
10	E.1747	30	18		E.1992 (B.T.H.)	35	32
11	E.1790	30	26	30	E.1492	35	26
12	E.1760	30	28	31	E.1463	35	27
13	E.1797	30	30	32	E.1592	31	40
14	E.1558	35	25	33	E.1732	38	46
15	E.1580	35	20	34	E.1521	38	41
16	E.1769	31	38	35	E.2826F	38	29
17	E.2266	35	22	36	E.1681	38	40
18	E.3047	25	14	37	E.659	38	42
19	E.2256	35	38	38	E.396	38	44
20	E.2254	35	36	39	E.509	38	45
				40	E.1479	34	3

REF. No.	PART No.	DESCRIPTION	3T	5T	6T	TR5	T100
1	E1545	Bolt, rocker box to cylinder head ...	—	4	4	—	—
2	E2982	" " " " " " ...	—	—	—	4	4
3	S25-13	Washer, " " " " " " ...	—	4	4	4	4
4	E1755	Rocker, valve R.H. ...	2	—	—	—	—
5	E1457	" " " " " " ...	—	2	2	2	2
6	E1756	" " L.H. ...	2	—	—	—	—
7	E1458	" " " " " " ...	—	2	2	2	2
8	E1483	Ball pin, valve rocker ...	4	4	4	4	4
9	E1513	Adjusting pin, valve rocker ...	4	4	4	4	4
10	E470	Locknut, adjusting pin ...	4	4	4	4	4
11	E1330	Washer, valve rocker thrust ...	2	2	2	2	2
12	E1575	" " " " " " ...	6	6	6	6	6
13	E1574	" " " " spring ...	4	4	4	4	4
14	E1813	Spindle, " " " " ...	2	—	—	—	—
15	E1512	" " " " " " ...	—	2	2	2	2
16	E1435	Nut, " " spindle (dome) ...	2	2	2	2	2
17	E1335	Washer, " " " " (copper) ...	4	4	4	4	4

### ROCKER OIL FEED AND DRAIN PIPES

18	E1781	Pipe, rocker oil feed ...	1	—	—	—	—
19	E1937A	" " " " " " ...	—	1	1	1	1
20	E1947	Connection, feed pipe (rubber) ...	1	1	1	1	1
21	XA69	Clip, pipe securing ...	5	5	5	5	5
22	GS272	Pipe, rocker oil drain inlet ...	—	1	1	1	1
23	GS273	" " " " exhaust ...	—	1	1	1	1
24	E1601	Adaptor, drain pipe to cylinder head ...	—	4	4	—	—
25	E2767	" " " " " " ...	—	—	—	4	4
26	E1335	Washer, " " " " " " ...	—	8	8	8	8
27	E984	Adaptor, " " " " cover tube ...	—	2	2	2	2
28	F1880	Washer, " " " " " " ...	—	4	4	4	4

### ENGINE SPROCKET AND SHOCK ABSORBER

29	E2826F	Sprocket, engine 19T ...	1	—	—	—	—
30	E2826F	" " 19T Sidecar ...	—	1	—	—	1
31	E2826C	" " 22T Solo ...	—	1	—	—	1
32	E2826D	" " 21T Sidecar ...	—	—	1	—	—
33	E2826A	" " 24T Solo ...	—	—	1	—	—
34	E2826D	" " 21T Solo ...	—	—	—	1	—
35	E2826H	" " 17T ...	—	—	—	—	—
36	E2826G	" " 18T ...	—	—	—	—	—
37	E2826E	" " 20T ...	—	—	—	—	—
38	E2826B	" " 23T ...	—	—	—	—	—
39	E2826	" " 25T ...	—	—	—	—	—
40	E1681	Slider, shock absorber ...	1	1	1	1	1
41	E1521	Sleeve, " " " " ...	1	1	1	1	1
42	E659	Spring, " " " " ...	1	—	—	—	—
43	E2912	" " " " " " ...	—	1	1	1	1
44	E396	Collar, " " spring ...	1	1	1	1	1
45	E509	Nut, " " sleeve ...	1	1	1	1	1
46	E1732	Distance Washer, engine sprocket ...	1	—	—	—	—

ALWAYS QUOTE ENGINE NUMBER AND PREFIX

## EXHAUST SYSTEM GROUP

REF. No.	PART No.	DESCRIPTION	3T	5T	6T	TR5	T100
EXHAUST PIPES							
1	E2236A	Pipe, exhaust N/S ...	1	—	—	—	—
2	E1520	" " " " " " ...	—	1	1	—	—
3	E3014	" " " " " " ...	—	—	—	1	—
4	E2985	" " " " " " ...	—	—	—	—	1
5	E2237A	" " O/S ...	1	—	—	—	—
6	E1519	" " " " " " ...	—	1	1	—	—
7	E3015	" " " " " " ...	—	—	—	1	—
8	E2987	" " " " " " ...	—	—	—	—	1
9	E2269	Clip, " " to cylinder head ...	2	—	—	—	—
10	E1269	" " " " " " ...	—	2	2	—	2
11	E2857	" " " " extension pipe ...	—	—	—	1	—
12	E409	Bolt, " " Clip ...	2	2	2	—	2
13	E410A	Washer, " " Bolt ...	2	2	2	—	2
14	TE164E	Bolt, " " " " ...	—	—	—	1	—
15	TE164C	Nut, " " Bolt (D shape) ...	—	—	—	1	—
16	TE164D	Washer, " " Bolt (D shape) ...	—	—	—	1	—
17	D557	Bolt, exhaust pipe to bracket ...	—	—	—	—	2
18	S26-2	Washer, " " " " bolt ...	—	—	—	—	2
19	F879	Nut, " " " " " " ...	—	—	—	—	2

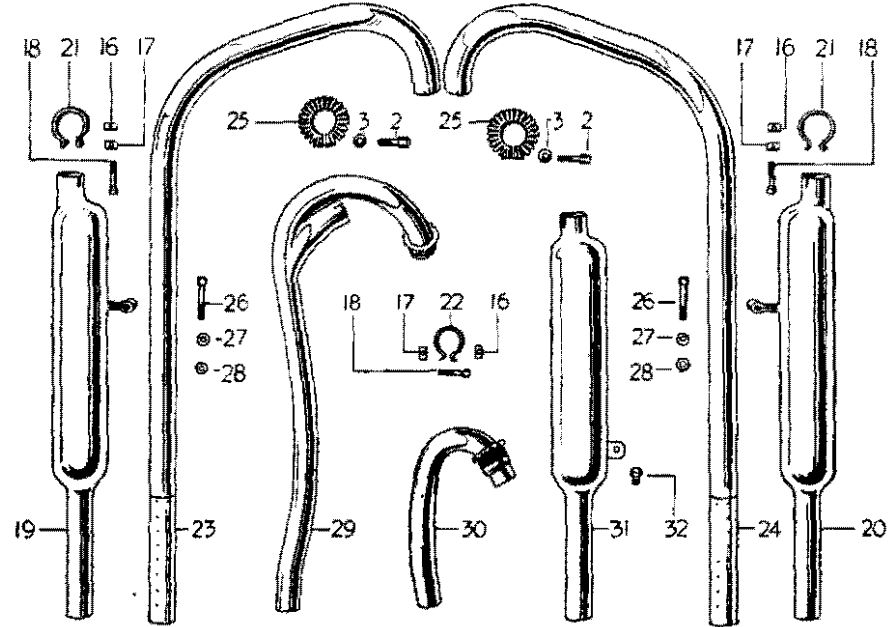
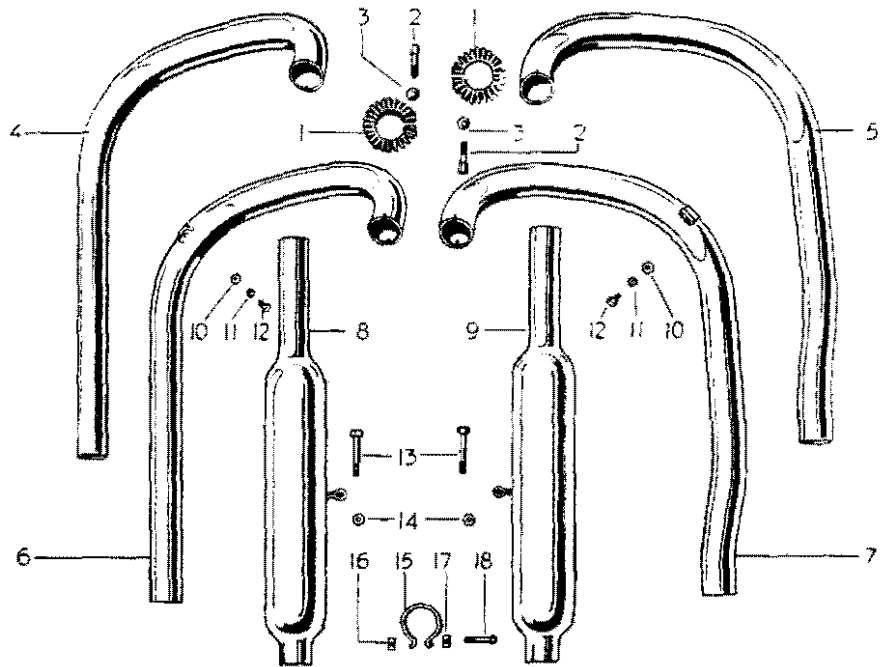
### SILENCER

20	E2646	Silencer N/S ...	1	—	—	—	—
21	E1568	" " " " " " ...	—	1	1	—	1
22	E2647	" O/S ...	1	—	—	—	—
23	E1567	" " " " " " ...	—	1	1	—	1
24	E2827	" " " " " " ...	—	—	—	1	—
25	H570	Bolt, silencer hanger ...	2	—	—	—	—
26	E688	" " " " " " ...	—	2	2	—	2
27	F929	" " " " " " ...	—	—	—	1	—
28	T224	Nut, " " bolt ...	2	2	2	—	2
29	F1335	Washer, " " " " N/S ...	1	—	—	—	—
30	E2271	Clip, " " to Exhaust pipe ...	2	—	—	—	—
31	TE246	" " " " " " ...	—	2	2	—	2
32	E2857	" " " " " " ...	—	—	—	1	—
33	TE164E	Bolt, " " " " Clip ...	2	2	2	1	2
34	TE164C	Nut, " " " " " " ...	2	2	2	1	2
35	TE164D	Washer, " " " " " " ...	2	2	2	1	2

ALWAYS PRINT YOUR ORDER

# GASKET SET GROUP

REF. No.	PART No.	DESCRIPTION	3T	5T	6T	TR5	T100
1	GS350T 4B	Gasket Set	...	1	—	—	—
2	GS5T 51	" "	...	1	—	—	—
3	GS6T 50	" "	...	—	1	—	—
4	GSTR5 51	" "	...	—	—	1	—
5	GST100 51	" "	...	—	—	—	1



EXHAUST PIPES AND SILENCERS

# EXHAUST SYSTEM INDEX TO ILLUSTRATION ON PAGE 40

Illust. No.	Part No.	Page	Ref.	Illust. No.	Part No.	Page	Ref.
1	E.1269	39	10	17	TE.164D	39	35
2	E.409	39	12	18	TE.164E	39	33
3	E.410A	39	13	19	E.2646	39	20
4	E.1519	39	6	20	E.2647	39	22
5	E.1520	39	2	21	E.2271	39	30
6	E.2987	39	8	22	E.2857	39	32
7	E.2985	39	4	23	E.2236A	39	1
8	E.1567	39	23	24	E.2237A	39	5
9	E.1568	39	21	25	E.2269	39	9
10	F.879	39	19	26	H.570	39	25
11	S.26-2	39	18	27	F.1335	39	29
12	DS.57	39	17	28	T.224	39	28
13	E.688	39	26	29	E.3014	39	3
14	T.224	39	28	30	E.3015	39	7
15	TE.246	39	31	31	E.2827	39	24
16	TE.164C	39	34	32	F.929	39	27

FOR IDENTIFICATION OF PARTS SEE PAGE 6

## GEARBOX GROUP

REF. No.	PART No.	DESCRIPTION	3T	5T	6T	TR5	T100
<b>GEARBOX CASING</b>							
1	T909	Casing with bushes, gearbox	1	1	1	1	1
2	T989	Dowel, casing to inner cover	2	2	2	2	2
3	E698	Stud, casing to outer cover	2	2	2	2	2
4	S1-51	Nut, casing stud	2	2	2	2	2
5	S25-3	Washer, " " "	2	2	2	2	2
6	T935	Cover with bushes, gearbox outer	1	1	1	1	1
7	T452	Screw, outer cover to casing (long)	1	1	1	1	1
8	E573	" " " " " "	1	1	1	1	1
9	E427	" " " " " " inner cover	2	2	2	2	2
10	E1049	" " " " " " (long)	1	1	1	1	1
11	T931	Cover with bushes, gearbox inner	1	1	1	1	1
12	T323A	Stud, inner cover to outer cover	1	1	1	1	1
13	S1-51	Nut, inner cover to outer cover stud	1	1	1	1	1
14	S25-3	Washer, inner cover to outer cover stud	1	1	1	1	1
15	E329	Screw, inner cover to outer cover (long)	1	1	1	1	1
16	E427	Screw, inner cover to outer cover	3	3	3	3	3
17	T45	Stop, kickstarter quadrant	1	1	1	1	1
18	T912	Peg, layshaft bush inner cover	1	1	1	1	1
19	E1564	Cap, gearbox oil filler	1	1	1	1	1
20	E1577	Washer, " " " joint	1	1	1	1	1
21	S46-15	Plug, gearbox drain and inner cover level	2	2	2	2	2
22	PT104B	Washer, " " " " " "	2	2	2	2	2
<b>GEARBOX FITTINGS</b>							
23	T717	Plate, gearbox mounting clamp	2	2	2	2	2
24	T456	Stud, " clamp tie	2	2	2	2	2
25	S1-51	Nut, " " " stud	3	3	3	3	3
26	T461	Nut, " " " "	1	1	1	1	1
27	S26-3	Washer, " " " "	2	2	2	2	2
28	F1681	Bolt, " " " pin	1	1	1	1	1
29	S4-13	Nut, " " " bolt	1	1	1	1	1
30	S25-8	Washer, " " " bolt	1	1	1	1	1
31	F2391	Bolt, gearbox pivot	1	—	—	—	—
32	T430	" " " " " "	—	1	1	1	1
33	F3108	" " " " " "	—	—	—	—	—
34	F1126	Nut, " " " bolt	1	—	—	—	—
35	P0172A	Nut, " " " "	—	—	—	1	—
36	S26-1	Washer, " " " "	1	1	1	1	1
37	T275	Adjuster assembly, primary chain	1	1	1	1	1

ALWAYS QUOTE ENGINE NUMBER AND PREFIX

REF. No. PART No. DESCRIPTION 3T 5T 6T TR5 T100

### SHAFTS AND GEARS

1	T914	Mainshaft and low gear (16T)	1	1	1	1	1
2	PT108B	Bush, mainshaft for clutch rod	1	1	1	1	1
3	S66-1	Woodruff key No. 6	1	1	1	1	1
4	T421	Nut, clutch to mainshaft	1	1	1	1	1
5	T420	Washer, " " " plain	1	1	1	1	1
6	T524	Washer, " " " lock	1	1	1	1	1
7	T918	Gear, mainshaft high (26T)	1	1	1	—	1
8	T969	" " " (28T)	—	—	—	1	—
9	T920	Bush, " " " gear	1	1	1	1	1
10	T917	Gear, mainshaft 3rd (24T)	1	1	1	1	1
11	T916	" " " 2nd (20T)	1	1	1	1	1
12	T968	" " " (19T)	—	—	—	1	—
13	T921	Layshaft c/w high gear (20T) and speed gear	1	1	1	1	1
14	T971	" " " (18T) " " "	—	—	—	1	—
15	T930	Gear, layshaft 3rd (22T)	1	1	1	1	1
16	T929	" " " 2nd (26T)	1	1	1	—	1
17	T974	" " " (27T)	—	—	—	1	—
18	T926	" " " low (30T)	1	1	1	1	1
19	T928	Bush, " " " gear	1	1	1	1	1

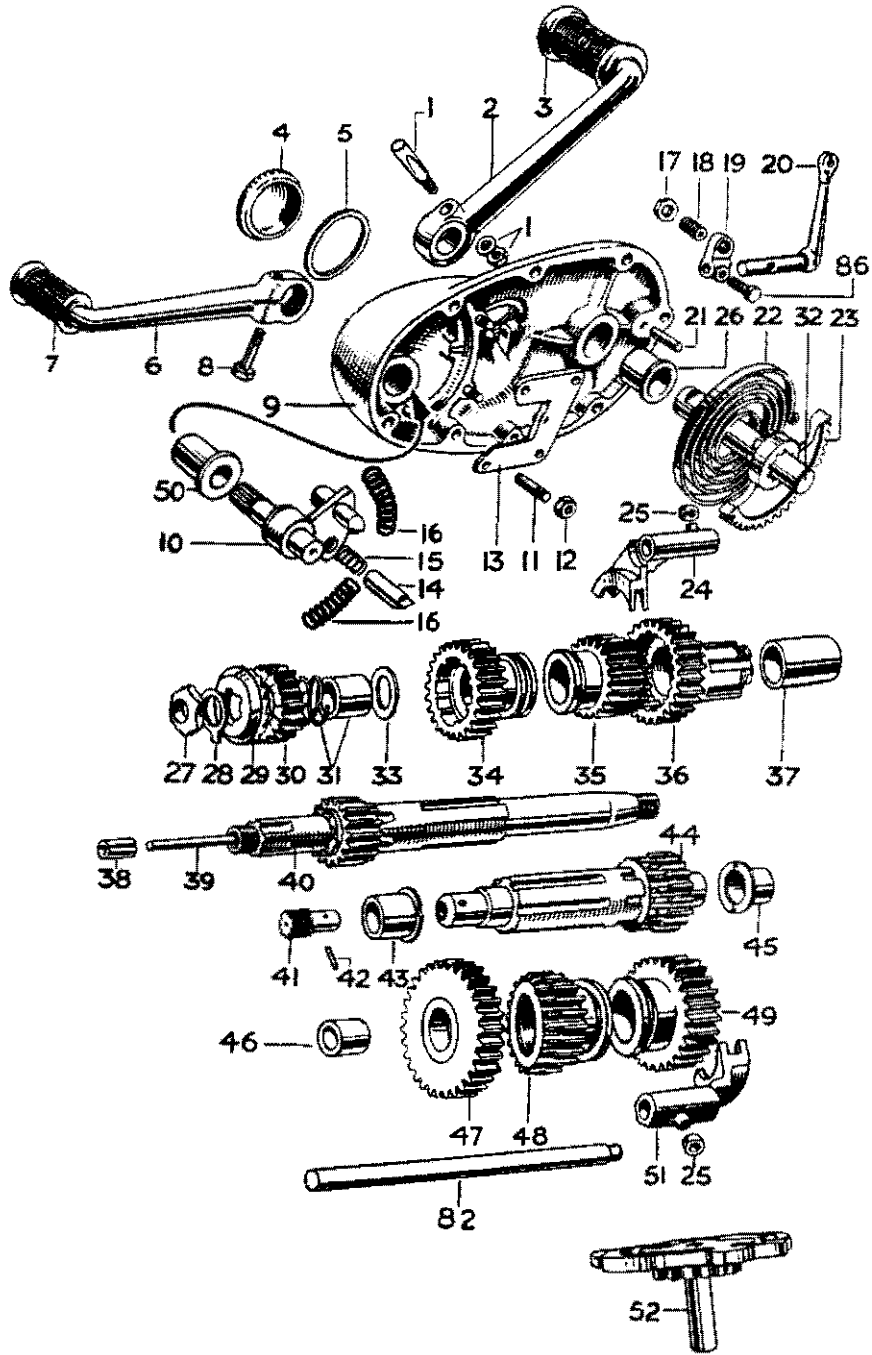
### GEARBOX SHELL BEARINGS

20	T448	Bearing, high gear	1	1	1	1	1
21	T946	Oil seal, " " bearing	1	1	1	1	1
22	E489	Circlip, " " " retaining	1	1	1	1	1
23	S35-7	Bearing, mainshaft " " "	1	1	1	1	1
24	T280	Circlip, " " bearing	1	1	1	1	1
25	T911	Bush, layshaft casing and inner cover	2	2	2	2	2
26	T912	Peg, layshaft bush	2	2	2	2	2
27	T981	Disc, layshaft bush	1	1	1	1	1
28	T341	Bush, gear selector camplate	1	1	1	1	1
29	T412	Bush, footchange spindle inner	1	1	1	1	1
30	T57	Bush, " " " outer	1	1	1	1	1
31	T23	Bush, kickstarter outer	1	1	1	1	1
32	T933	Bush, speedo gear inner cover	1	1	1	1	1
33	T948	Washer, speedo gear inner cover sealing	1	1	1	1	1

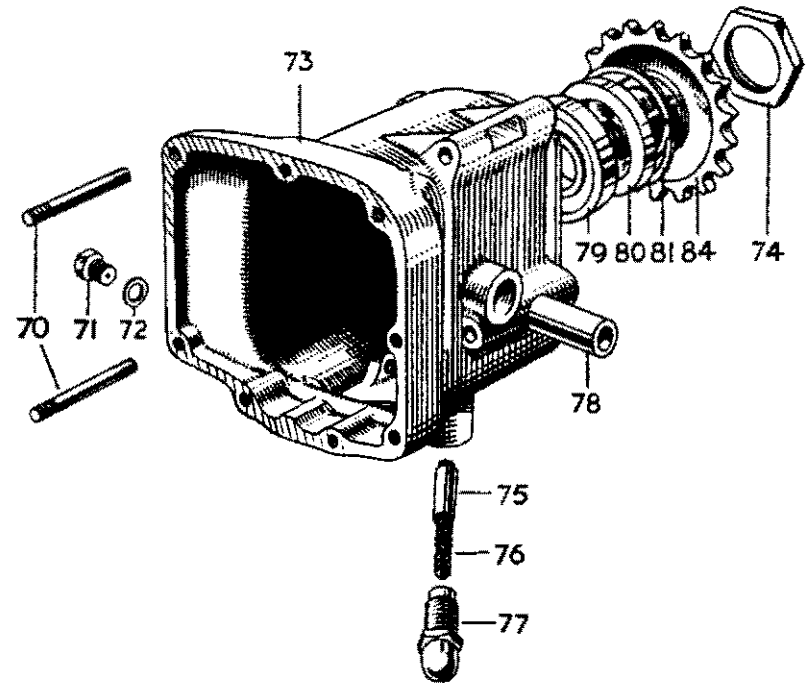
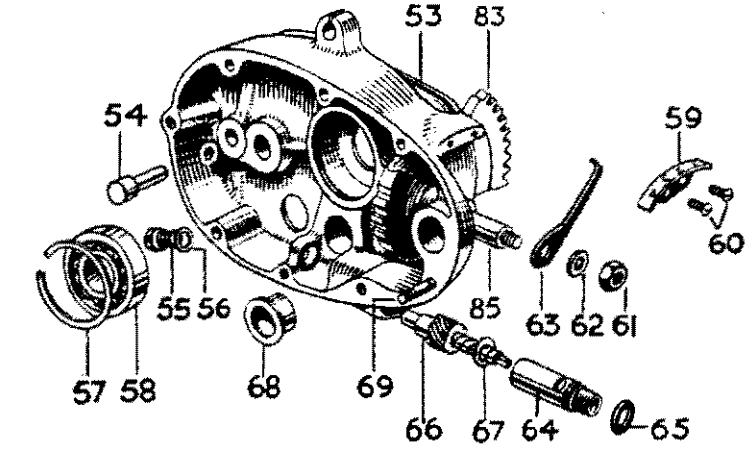
### GEAR CONTROL (SELECTOR MECHANISM)

34	T397	Quadrant, gear operating	1	1	1	1	1
35	T399	Spindle, " " " quadrant	1	1	1	1	1
		Split pin $1\frac{1}{2}$ " by $\frac{5}{8}$ " dia.	1	1	1	1	1
36	T500	Camplate, gear control	1	1	1	1	1
37	NT261	Roller, " " " camplate	2	2	2	2	2
38	T501	Plunger, " " " "	1	1	1	1	1

WHEN IN DOUBT SEND SAMPLES



TRIUMPH FOUR SPEED GEARBOX



TRIUMPH FOUR SPEED GEARBOX

**GEARBOX**  
**INDEX TO ILLUSTRATIONS ON PAGES 44 AND 45**

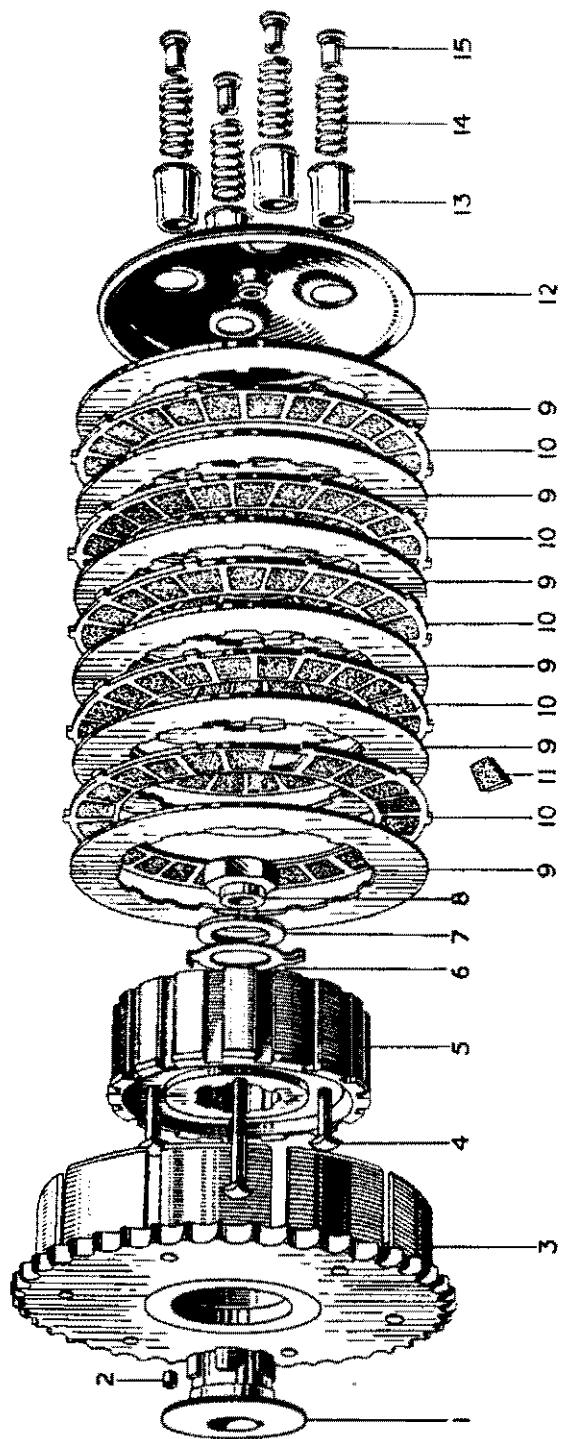
Illust. No.	Part No.	Page	Ref.	Illust. No.	Part No.	Page	Ref.
1	552-1	47	24	43	T.911	43	25
2	T.451	47	22	44	T.921	43	13
3	F.1814	47	23		T.971	43	14
4	E.1564	42	19	45	T.911	43	25
5	E.1577	42	20	46	T.928	43	19
6	T.398	47	13	47	T.926	43	18
7	T.449	47	15	48	T.930	43	15
8	W.932	47	14	49	T.929	43	16
9	T.935	42	6		T.974	43	17
10	T.408-9	47	10	50	T.57	43	30
11	T.454	47	7	51	T.913	47	4
12	F.879	47	8	52	T.500	43	36
13	T.407	47	6	53	T.913	42	11
14	T.406	47	11	54	T.45	42	17
15	T.405	47	12	55	S.46-15	42	21
16	T.404	47	16	56	PT.104B	42	22
17	T.453	49	31	57	T.280	43	24
18	T.413	49	30	58	S.35-7	43	23
19	T.402	49	27	59	T.396	47	20
20	T.487	49	25	60	D.208-17	47	21
21	T.47	47	26	61	T.224	47	18
22	T.31	47	25	62	S.25-3	47	19
23	T.25A	47	27	63	T.395	47	17
24	T.260B	47	3	64	T.933	43	32
25	NT.261	43	37	65	T.948	97	27
26	T.23	43	31	66	T.975	97	24
27	NT.297	47	32		T.934	97	23
28	T.732	47	33	67	T.825	97	25
29	T.731	47	30	68	T.412	43	29
30	T.730	47	29	69	T.323A	42	12
31	T.488-28	47	31	70	E.698	42	3
32	T.24A	47	28	71	S.46-15	42	21
33	T.505	47	34	72	PT.104B	42	22
34	T.917	43	10	73	T.909	42	1
35	T.916	43	11	74	T.440	47	36
	T.968	43	12	75	T.501	43	38
36	T.918	43	7	76	T.373	47	2
	T.969	43	8	77	T.372	47	1
37	T.920	43	9	78	T.341	43	28
38	PT.108B	43	2	79	T.448	43	20
39	T.455	49	33	80	T.946	43	21
	T.455A	49	32	81	E.489	43	22
	T.455B	49	34	82	T.291	47	5
40	T.914	46	1	83	T.397	43	34
41	T.973	97	21	84	T.471A	47	35
	T.924	97	20	85	T.399	43	35
42	T.925	97	22	86	T.401	49	28

FOR IDENTIFICATION OF PARTS SEE PAGE 6

REF. No.	PART No.	DESCRIPTION	3T	5T	6T	TR5	T100
1	T372	Bush, gear control camplate plunger	1	1	1	1	1
2	T373	Spring, " " " " " "	1	1	1	1	1
3	T260B	Fork, gear selector mainshaft	1	1	1	1	1
4	T913	Fork, " " layshaft	1	1	1	1	1
5	T291	Rod, " " fork	1	1	1	1	1
<b>GEAR CONTROL (ENCLOSED FOOTCHANGE)</b>							
6	T407	Plate, footchange guide	1	1	1	1	1
7	T454	Stud, " " plate	4	4	4	4	4
8	F879	Nut, " " stud	4	4	4	4	4
9	E2312	Washer, " " " "	4	4	4	4	4
10	T408-9	Plunger, assembly, gear quadrant	1	1	1	1	1
11	T406	Plunger, gear quadrant	2	2	2	2	2
12	T405	Spring, " " plunger	2	2	2	2	2
13	T398	Pedal, footchange	1	1	1	1	1
14	W932	Set screw, footchange pedal	1	1	1	1	1
15	T449	Rubber, " " "	1	1	1	1	1
16	T404	Spring, " " return	2	2	2	2	2
17	T395	Finger, gear indicator	1	1	1	1	1
18	T224	Nut, " " "	1	1	1	1	1
19	S25-3	Washer, " " "	1	1	1	1	1
20	T396	Quadrant, gear indicator	1	1	1	1	1
21	D208-17	Pin, quadrant fixing	2	2	2	2	2
<b>KICKSTARTER</b>							
22	T451	Crank, kickstarter	1	1	1	1	1
23	F1814	Rubber, " crank	1	1	1	1	1
24	552-1	Cotter pin c/w nut and washer	1	1	1	1	1
25	T31	Spring, k/s crank return	1	1	1	1	1
26	T47	Peg, " anchor	1	1	1	1	1
27	T25A	Quadrant, kickstarter	1	1	1	1	1
28	T24A	Shaft, kickstarter axle	1	1	1	1	1
29	T730	Pinion, " "	1	1	1	1	1
30	T731	Ratchet, kickstarter	1	1	1	1	1
31	T488-28	Sleeve and spring, pinion	1	1	1	1	1
32	NT297	Nut, kickstarter ratchet	1	1	1	1	1
33	T732	Washer, " lock	1	1	1	1	1
34	T505	Washer, " plain	1	1	1	1	1
<b>GEARBOX SPROCKET</b>							
35	T471A	Sprocket, gearbox	1	1	1	1	1
36	T440	Nut, gearbox sprocket locking	1	1	1	1	1

FIGURE IN MODEL COLUMN DENOTES QUANTITY PER MACHINE





**CLUTCH INDEX**

Illust. No.	Part No.	Page	Ref.	Illust. No.	Part No.	Page	Ref.
1	T.418	49	10	6	T.524	46	6
2	T.394	49	11	7	T.420	46	5
3	T.939	49	4	8	T.421	46	4
	T.940	49	5	9	T.415	49	14
	T.985	49	6	10	T.414	49	12
4	T.424	49	17	11	NT.288	49	13
	T.423	49	18	12	T.986	49	23
	T.423A	49	19	13	T.425	49	21
5	T.417	49	8	14	T.998	49	22
	T.417A	49	7	15	T.429	49	15
	T.872	49	9	16	T.999	49	16
				15	T.427	49	20

REF. No.	PART No.	DESCRIPTION	3T	5T	6T	TR5	T100
----------	----------	-------------	----	----	----	-----	------

**CLUTCH**

1	T937	Clutch assembly	1	—	—	—	—
2	T938	" "	—	1	—	—	—
3	T1003	" "	—	—	1	—	1
4	T939	Housing, clutch sprocket	1	—	—	—	—
5	T940	" "	—	1	—	—	—
6	T985	" "	—	—	1	—	1
7	T417A	Centre clutch	1	—	—	—	—
8	T417	" "	—	1	—	—	—
9	T872	" "	—	—	1	—	1
10	T418	Hub, "	1	1	1	1	1
11	E394	Roller, " housing to hub	20	20	20	20	20
12	T414	Plate, " driving (corked)	3	4	5	4	5
13	NT288	Cork, " insert	72	96	120	96	120
14	T415	Plate, " driven (plain)	4	5	6	5	6
15	T429	Spring, clutch pressure	4	4	—	4	—
16	T999	" "	—	—	4	—	4
17	T424	Pin, " " spring	4	—	—	—	—
18	T423	" "	—	4	—	4	—
19	T423A	" "	—	—	4	—	4
20	T427	Nut, " " " pin	4	4	4	4	4
21	T425	Cup, " " " "	4	4	—	4	—
22	T998	" "	—	—	4	—	4
23	T986	Plate, " " c/w button	1	1	1	1	1
24	T422	Button, " " plate	1	1	1	1	1

**CLUTCH CONTROL**

25	T487	Lever, clutch operating	1	1	1	1	1
26	T495	Cap, " " lever rubber	1	1	1	1	1
27	T402	Arm, " " " "	1	1	1	1	1
28	T401	Peg, " " " "	1	1	1	1	1
29	E2312	Washer, " " " peg	1	1	1	1	1
30	T413	Pin, " lever adjusting	1	1	1	1	1
31	T453	Nut, " " " lock	1	1	1	1	1
32	T455A	Rod, " " operating	1	—	—	—	—
33	T455	" " " " "	—	1	—	—	—
34	T455B	" " " " "	—	—	1	—	—
35	PT108B	Bush, " rod to mainshaft	1	1	1	1	1

**WIDE RATIO GEAR GROUP**

To convert from standard to wide ratio

36	T969	Gear, mainshaft high 28T	1	1	1	1	1
37	T968	" " 2nd 19T	1	1	1	1	
38	T971	Gear, layshaft high 18T c/w speedo gear	1	1	1	1	
39	T974	" " 2nd 27T	1	1	1	1	

SEE PAGE 120 FOR GEAR RATIO CHART

## STANDARD RATIO GEAR GROUP

REF. No.	PART No.	DESCRIPTION	3T	5T	6T	TR5	T100
<b>To convert from wide to standard ratio</b>							
1	T918	Gear, mainshaft high 26T	...	...	...	...	...
2	T916	" " 2nd 20T	...	...	...	...	...
3	T921	Gear, layshaft high 20T c w speedo gear	...	...	...	...	...
4	T929	" " 2nd 26T	...	...	...	...	...

## CLOSE RATIO GEAR GROUP

5	T995	Mainshaft and low gear 18T	...	...	...	...	...
6	PT108B	Bush, mainshaft for clutch rod	...	...	...	...	...
7	T957	" " high 24T	...	...	...	...	...
8	T955	" " 2nd 21T	...	...	...	...	...
9	T956	" " 3rd 23T	...	...	...	...	...
10	T920	Bush, " high gear	...	...	...	...	...
11	T961	Gear, layshaft low 28T	...	...	...	...	...
12	T959	" " high 22T	...	...	...	...	...
13	T963	" " 2nd 25T	...	...	...	...	...
14	T964	" " 3rd 23T	...	...	...	...	...
15	T928	Bush, " low gear	...	...	...	...	...

Gear Ratios. Suitable ratios can be selected from the three groups, which will enable the rider to operate his machine for normal road work or sporting events. To vary the ratios of any group, engine sprockets ranging from 17 to 25 teeth are available.

On page 120 there will be found an R.P.M. and Gear Ratio Chart, which will assist the rider in making his selection.

SEE PAGE 120 FOR GEAR RATIO CHART

## FRAME GROUP

REF. No.	PART No.	DESCRIPTION	3T	5T	6T	TR5	T100
<b>FRONT PORTION</b>							
1	F2385	Frame, front portion	...	...	...	...	...
2	F2938	" " " " " " " "	...	...	...	...	...
3	F2988	" " " " " " " "	...	...	...	...	...
4	F2400	" " " " " " " "	...	...	...	...	...
5	E1023	Stud, seat lug to back stays	...	...	...	...	...
6	F1561	" " " " " " " "	...	...	...	...	
7	PO172A	Nut, " " " " " " stud	...	...	...	...	
8	F3073	" " " " " " " (O/S)	...	...	...	...	
9	S26-1	Washer, " " " " " " " "	...	...	...	...	
10	F994	Stud, " tube " " " (bottom)	...	...	...	...	
11	S1-30	Nut, " " " " " " stud	...	...	...	...	
12	SCZ45	Washer, " " " " " " " "	...	...	...	...	
13	F1841	Support, petrol tank front	...	...	...	...	
14	F1451	Bolt, " " " " support...	...	...	...	...	
15	S1-52	Nut, " " " " " " " "	...	...	...	...	
16	F3028	Support, " " " rear	...	...	...	...	
17	F2687	Bolt, " " " " support...	...	...	...	...	
18	S26-3	Washer, " " " " " " " "	...	...	...	...	
19	NW100	Lubricator, steering column	...	...	...	...	

SEE FRONT FORK GROUP FOR HEAD LUG STEERING RACES—PAGE 66.

## REAR PORTION

20	F3100	Frame, rear portion	...	...	...	...	...
21	F3102	" " " " " " " "	...	...	...	...	
22	F2989	" " " " " " " "	...	...	...	...	
23	F3178	" " " " " " " "	...	...	...	...	
24	F969	Screw, rear chain adjuster	...	...	...	...	
25	F3164	" " " " " " " "	...	...	...	...	
26	F1008	Locknut, " " " " screw	...	...	...	...	
27	F1824	" " " " " " " "	...	...	...	...	

## TORQUE BRACKET GROUP

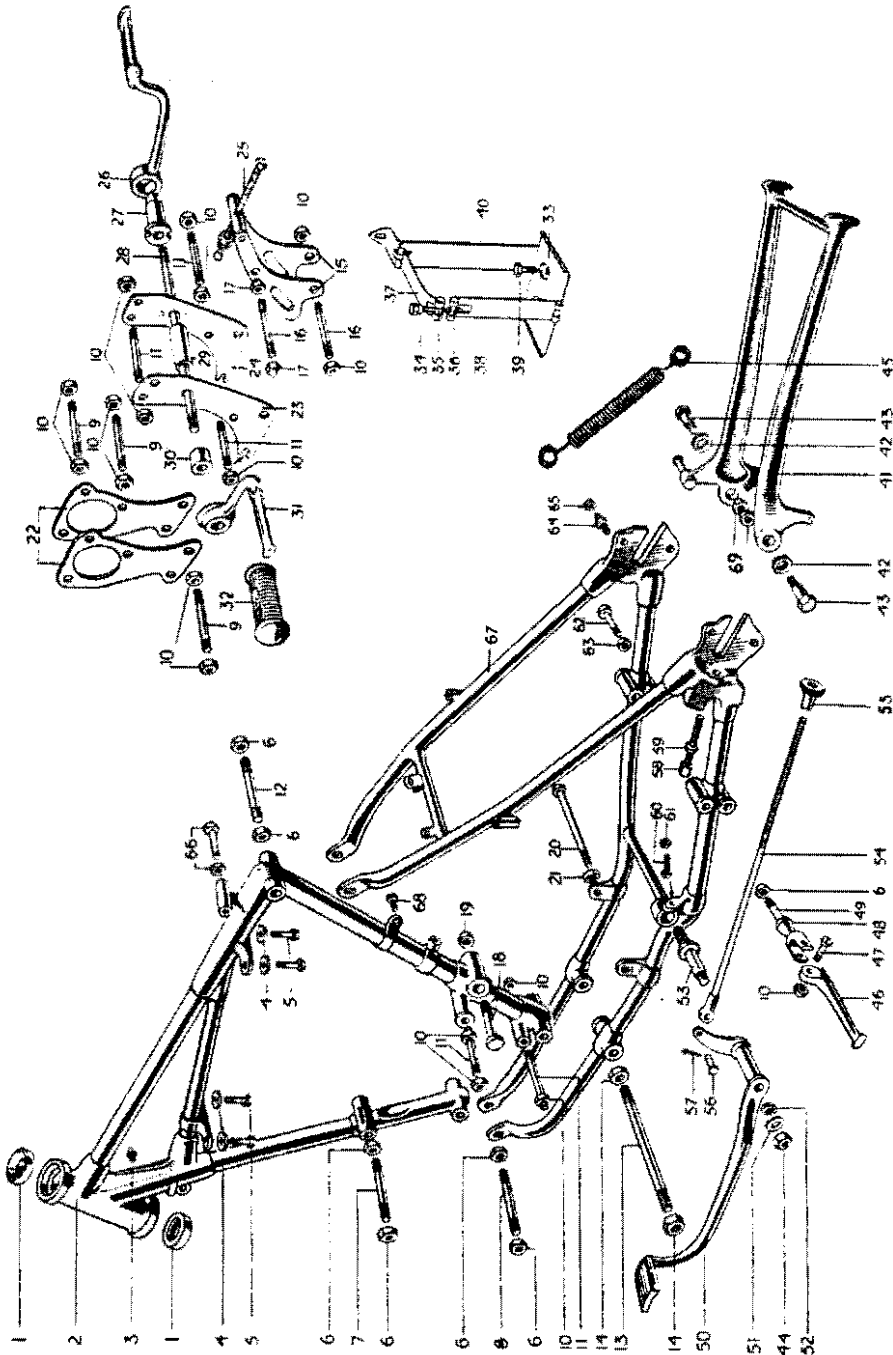
28	F2380	Bracket, engine to frame clip	...	...	...	...	...
29	F1597	Stay, " " " " " " " "	...	...	...	...	
30	E2800	Clip, " " steady N/5 half	...	...	...	...	
31	E2801	" " " " O/S " "	...	...	...	...	
32	F2381	" " torque bracket	...	...	...	...	
33	E1598	" " stay	...	...	...	...	
34	D555	Bolt, " " bracket clip	...	...	...	...	
35	F1031	" " stay " "	...	...	...	...	

PLEASE STATE COLOUR WHEN ORDERING

3T MODEL

INDEX TO ILLUSTRATION ON PAGE 52

Illust. No.	Part No.	Page	Ref.	Illust. No.	Part No.	Page	Ref.
1	XS.10	66	19	36	E.535	61	6
2	F.2385	51	1	37	F.1667	61	8
3	NW.100	51	19	38	F.1668	61	9
4	F.967	84	12	39	F.1715	61	14
5	F.966	84	7	40	F.2877 8	61	3
6	PO.172A	51	7	41	F.1834	67	12
7	E.1023	60	20	42	F.976	67	16
8	F.1711	60	22	43	F.977	67	14
9	E.925	60	24	44	SI.52	90	8
10	S.1-51	60	33	45	F.975A	67	13
11	E.654	60	27	46	F.1694	90	33
12	E.1023	51	5	47	F.2271	90	35
13	F.994	51	10	48	F.2268	91	1
14	S.1-30	51	11	49	F.1696	91	2
15	T.717	42	23	50	F.1153	90	1
16	T.456	42	24	51	S.25-2	90	9
17	T.461	42	26	52	S.26-16	90	10
18	F.1681	42	28	53	F.867	90	5
19	S.4-13	42	29	54	F.1015	90	11
20	F.2391	42	31		F.1015C	90	12
21	F.1126	42	34	55	NS.372	90	17
22	F.2235	60	7	56	WF.32	90	15
23	F.2392	60	11	57	$\frac{1}{8}$ " Split Pin		
24	F.2396	60	14	58	F.969	51	24
25	T.275	42	37	59	F.1008	51	26
26	F.1731	90	19	60	F.1149	90	3
27	F.1736	90	23	61	F.879	90	4
28	F.1092	90	24	62	H.570	39	25
29	F.1081	90	28	63	T.224	39	28
30	T.200	90	30	64	F.946	77	39
31	F.987	90	20	65	F.947	77	40
32	NF.704	90	21	66	NA.64J	91	15
33	F.2876	61	1	67	F.3100	51	20
34	E.536	61	7	68	F.1213	84	30
35	E.534	61	5	69	W.630	67	15



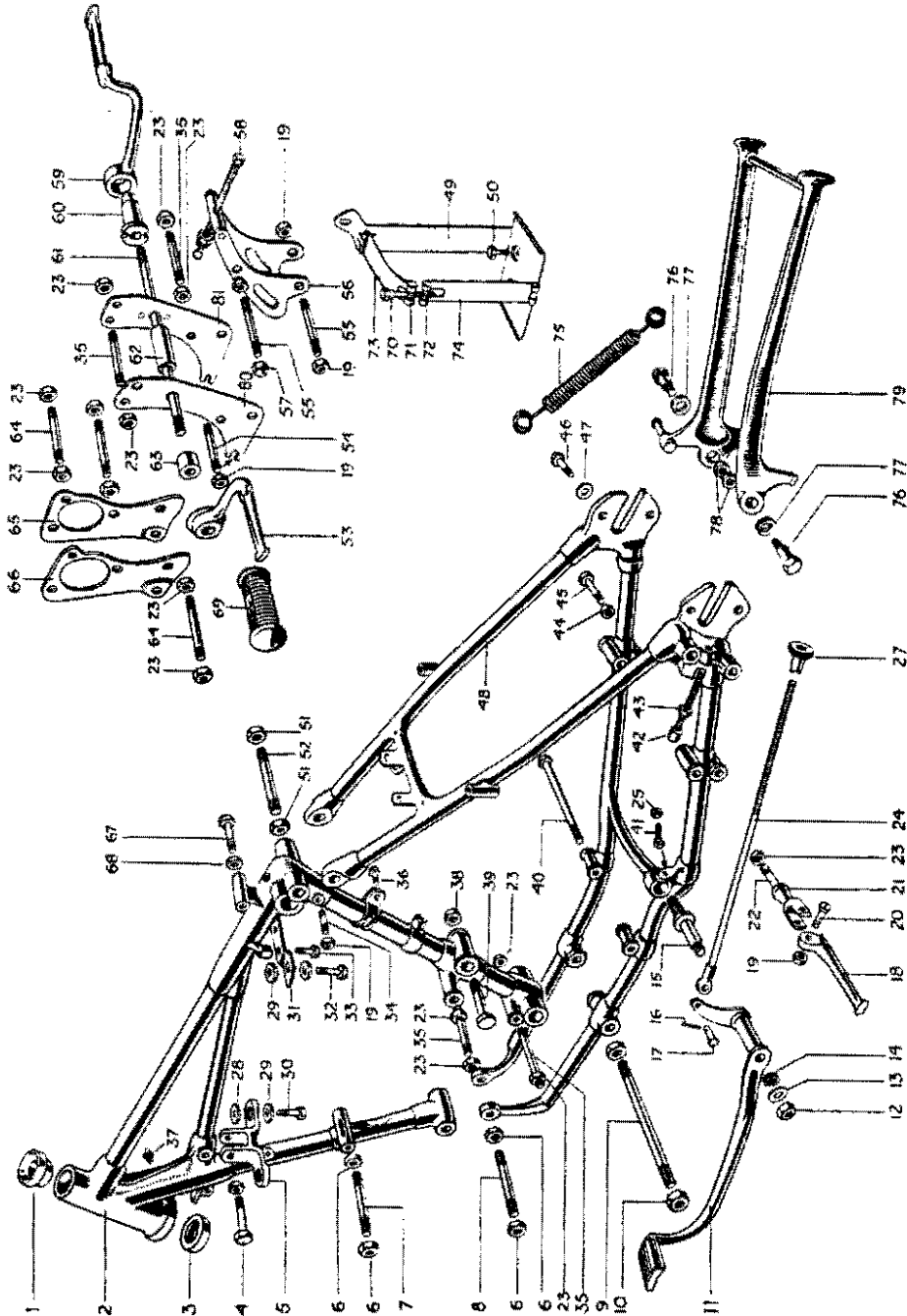
3T-FRAME AND COMPONENTS

FOR IDENTIFICATION OF PARTS SEE PAGE 6

5T, 6T AND T100 MODELS  
 INDEX TO ILLUSTRATION ON PAGE 54

Illust. No.	Part No.	Page	Ref.	Illust. No.	Part No.	Page	Ref.
1	H.437	66	20	42	F.969	51	24
2	F.2938	51	2		F.3164	51	25
	F.2400	51	4	43	F.1008	51	26
3	H.111	66	22		F.1824	51	27
4	F.1451	51	14	44	T.224	39	28
5	F.1841	51	13	45	E.688	39	26
6	DS.47	60	30	46	E.579	77	42
7	F.2414	60	21	47	S.26-2	77	44
8	F.1680	60	29	48	F.3102	51	21
9	F.994	51	10		F.3178	51	23
10	S.1-30	51	11	49	F.2876	61	1
11	F.1153	90	1	50	F.1715	61	14
12	S.1-52	90	8	51	PO.172A	51	7
13	S.25-2	90	9	52	F.1561	51	6
14	S.26-16	90	10	53	F.987	90	20
15	F.867	90	5	54	F.839	60	28
16	$\frac{1}{16}$ " Split Pin			55	T.456	42	24
17	WF.32	90	15	56	T.717	42	23
18	F.1694	90	33	57	T.461	42	26
19	S.1-51	42	25	58	T.275	42	37
20	F.2271	90	35	59	F.1731	90	19
21	F.2268	91	1	60	F.1736	90	23
22	F.1696	91	2	61	F.991	90	25
23	PO.172A	60	31	62	F.862	90	29
24	F.1015A	90	12	63	T.87	90	31
	F.1015B	90	14	64	F.1711	60	22
25	F.879	90	4	65	E.2223	60	9
27	NS.372	90	17	66	E.2222	60	8
28	F.1813	84	13	67/B	NA.64J	91	26
29	F.967	84	12	69	NF.704	90	21
30	F.1808	84	6	70	E.536	61	7
31	F.3028	51	16	71	E.534	61	5
32	F.966	84	7	72	E.535	61	6
33	F.2687	51	17	73	F.1667	61	8
34	F.1682	61	11	74	F.1668	61	9
35	F.839	60	28	75	F.975A	67	13
36	F.1213	84	30	76	F.977	67	14
	F.2596	84	32	77	F.976	67	16
37	NW.100	51	19	78	W.630	67	15
38	S.4-13	42	29	79	F.1834	67	12
39	F.1681	42	28	80	F.1811	60	12
40	T.430	42	32	81	F.1811A	60	15
41	F.1149	90	3				

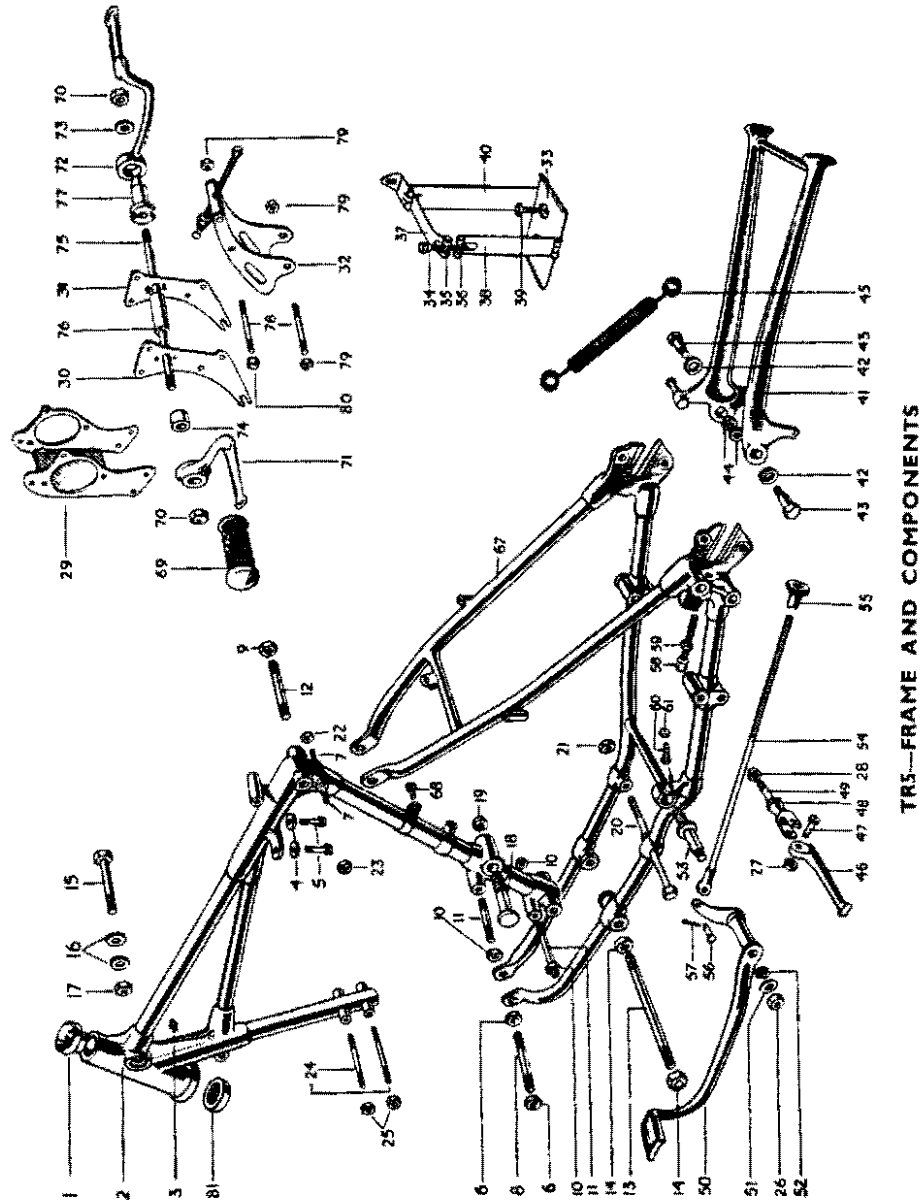
5T, 6T AND T100—FRAME AND COMPONENTS



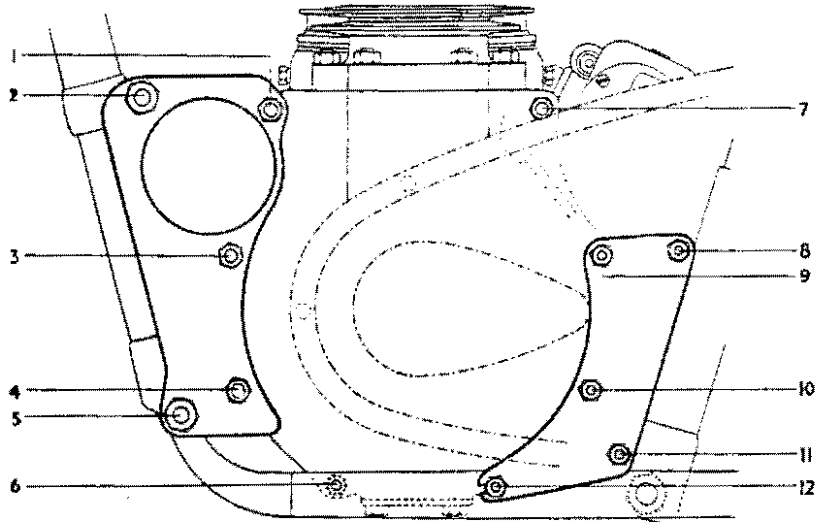
TR5 MODEL

INDEX TO ILLUSTRATION ON PAGE 56

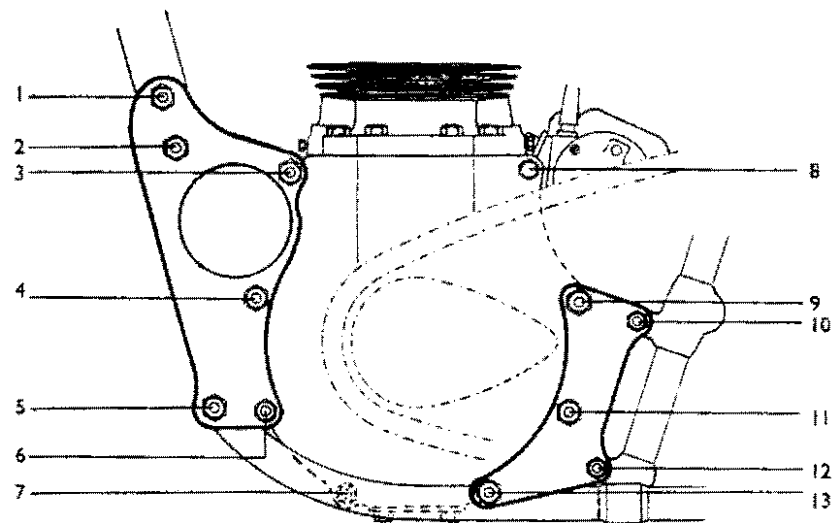
Illust. No.	Part No.	Page	Ref.	Illust. No.	Part No.	Page	Ref.
1	H.437	66	20	40	F.2877 B	61	3
2	F.2988	51	3	41	F.1834	67	12
3	NW.100	51	19	42	F.976	67	16
4	F.967	84	12	43	F.977	67	14
5	F.966	84	7	44	W.630	67	15
6	PO.172A	51	7	45	F.975A	67	13
7	F.1682	84	36	46	F.1694	90	33
8	F.839	60	28	47	F.2271	90	34
9	PO.172A	51	7	48	F.2268	91	1
10	S.1-51	60	33	49	F.1696	91	2
11	E.654	60	27	50	F.1153	90	1
12	E.1023	51	5	51	S.25-2	90	9
13	F.994	51	10	52	S.26-16	90	10
14	S.1-30	51	11	53	F.867	90	5
15	F.3007	84	8	54	F.1015	90	11
16	F.3006	84	11		F.1015C	90	13
17	S.1-51	84	9	55	F.2896	90	18
18	F.1681	42	28	56	WF.32	90	15
19	S.4-13	42	29	57	$\frac{1}{8}$ " Split Pin		
20	F.3108	42	33	58	F.969	51	24
21	PO.172A	42	35	59	F.1008	51	26
22	S.1-51	84	37	60	F.1149	90	3
23	S.1-51	61	12	61	F.879	90	4
24	F.1711	60	22	67	F.2989	51	22
25	PO.172A	60	31	68	DS.55	84	31
26	S.1-52	90	8	69	NF.704	90	21
27	S.1-51	90	36	70	DS.48	90	26
28	PO.172A	91	3	71	F.987	90	20
29	F.2979	60	10	72	F.1731	90	19
30	F.2884	60	13	73	S.25-8	90	27
31	F.2885A	60	16	74	T.87	90	31
32	T.717	42	23	75	F.991	90	25
33	F.2876	61	1	76	F.862	90	29
34	E.536	61	7	77	F.1736	90	23
35	E.534	61	5	78	T.456	42	24
36	E.535	61	6	79	S.1-51	42	25
37	F.1667	61	8	80	T.461	42	26
38	F.1668	61	9	81	H.111	66	22
39	F.1715	61	14				



TR5—FRAME AND COMPONENTS



3T, 5T, 6T AND T100



TR5

CRANKCASE AND FRAME STUDS, BOLTS, NUTS  
AND WASHERS

INDEX

3T MODEL

Illustration No.	Part No.	Description	Illustration No.	Part No.	Description
1, 3, 4 & 6	E.925	Stud	7	S.26-1	Washer
	S.1-51	Nut		E.3012	Stud
	S.25-3	Washer		S.1-51	Nut
2	E.1023	Stud	8, 9, 10,	S.25-3	Washer
	PO.172A	Nut		11 & 12	E.654
5	S.26-1	Washer	S.1-51		Nut
	F.1711	Stud	S.26-3	Washer	
	PO.172A	Nut			

5T, 6T AND T100 MODELS

1, 3, 4	F.1711	Stud	8, 9, 10,	PCW.73A	Nut	
	PO.172A	Nut		11 & 12	T.456.	Stud
	S.26-1	Washer			S1-51	Nut
2	F.2414	Stud	S.25-3		Washer	
	DS.47	Nut	F.839	Stud		
5	PCW.73A	Washer	PO.172A	Nut		
	F.1680	Stud	S.26-1	Washer		
	DS.47	Nut				

TR5 MODEL

1, 2, 3 and 4	F.1711	Stud	7	F.456	Stud
	PO.172A	Nut		S.1-51	Nut
	S.26-1	Washer		S.25-3	Washer
5, 9, 11 & 13	F.839	Stud	8	E.1555	Bolt
	PO.172A	Nut		S.25-3	Washer
	S.26-1	Washer		E.522	Stud
6	F.1711	Stud	10, 12	S.1-51	Nut
	E.3004	Nut		S.26-3	Washer
	S.26-1	Washer			

REF. No.	PART No.	DESCRIPTION	3T	5T	6T	TR5	T100
1	SI-51	Nut, Torque bracket clip bolt ...	1	—	—	1	—
2	PO172A	" " stay " " ...	—	1	1	—	1
3	S26-3	Washer, " stay " " ...	1	—	—	1	—
4	S25-3	" " bracket " " ...	—	1	1	—	1
5	SI-52	Nut, " " to engine bolt ...	—	2	2	—	2
6	S26-1	Washer, " " " " " " ...	—	2	2	—	2

### ENGINE PLATE GROUP

7	E2235	Plate, engine front assembly ...	2	—	—	—	—
8	E2222	" " " N/S ...	—	1	1	—	1
9	E2223	" " " O/S ...	—	1	1	—	1
10	F2979	" " " assembly ...	—	—	—	1	—
11	F2392	" " rear N/S ...	1	—	—	—	—
12	F1811	" " " " " " ...	—	1	1	—	1
13	F2884	" " " " " " ...	—	—	—	1	—
14	F2396	" " " O/S ...	1	—	—	—	—
15	F1811A	" " " " " " ...	—	1	1	—	1
16	F2885A	" " " " " " ...	—	—	—	1	—
17	F1117	Dowel, " " " plate ...	2	2	2	2	2
18	F2395	Cover, " plate front ...	1	—	—	—	—
19	F2275	" " " " " " ...	—	1	1	—	1
20	E1023	Stud, $\frac{1}{8}$ " x $3\frac{1}{2}$ " x 26 C.E.I. ...	1	—	—	—	—
21	F2414	" $\frac{1}{8}$ " x $4\frac{1}{2}$ " " " ...	—	1	1	—	1
22	F1711	" $\frac{1}{8}$ " x $4\frac{1}{2}$ " " " ...	1	3	3	5	3
23	E3011	" $\frac{1}{8}$ " x $3\frac{1}{2}$ " " " ...	1	—	—	—	—
24	E925	" $\frac{1}{8}$ " x $3\frac{1}{2}$ " " " ...	2	—	—	—	—
25	E522	" $\frac{1}{8}$ " x $4\frac{1}{2}$ " " " ...	—	—	—	1	—
26	E3012	" $\frac{1}{8}$ " x $2\frac{1}{2}$ " " " ...	1	—	—	—	—
27	E654	" $\frac{1}{8}$ " x $3\frac{1}{2}$ " " " ...	4	—	—	—	—
28	F839	" $\frac{1}{8}$ " x $4\frac{1}{2}$ " " " ...	—	5	5	4	5
29	F1680	" $\frac{1}{8}$ " x $4\frac{1}{2}$ " " " ...	—	1	1	—	1
30	DS47	Nut, for F2414, F1680 Studs, C.E.I. $\frac{7}{16}$ " ...	—	4	4	—	4
31	PO172A	" " F1023, F1711, F839 Studs, C.E.I. $\frac{3}{8}$ " ...	2	16	16	16	16
32	F3004	" " F1711 Stud (Lower) C.E.I. $\frac{3}{8}$ " ...	—	—	—	2	—
33	SI-51	" " E925, E3011, E3012, E654 Studs, C.E.I. $\frac{1}{8}$ " ...	16	—	—	4	—
34	PCW73A	Washer, for E2414, F1680 Studs, $\frac{1}{8}$ " ...	—	4	4	—	4
35	S26-1	" " E1023, F1711, F839 Studs, $\frac{1}{8}$ " ...	2	16	16	16	16
36	S25-3	" " E3011, E925, E3012 Studs, $\frac{1}{8}$ " ...	10	—	—	—	—
37	S26-3	" " E654 Stud, $\frac{1}{8}$ " ...	6	—	—	—	—

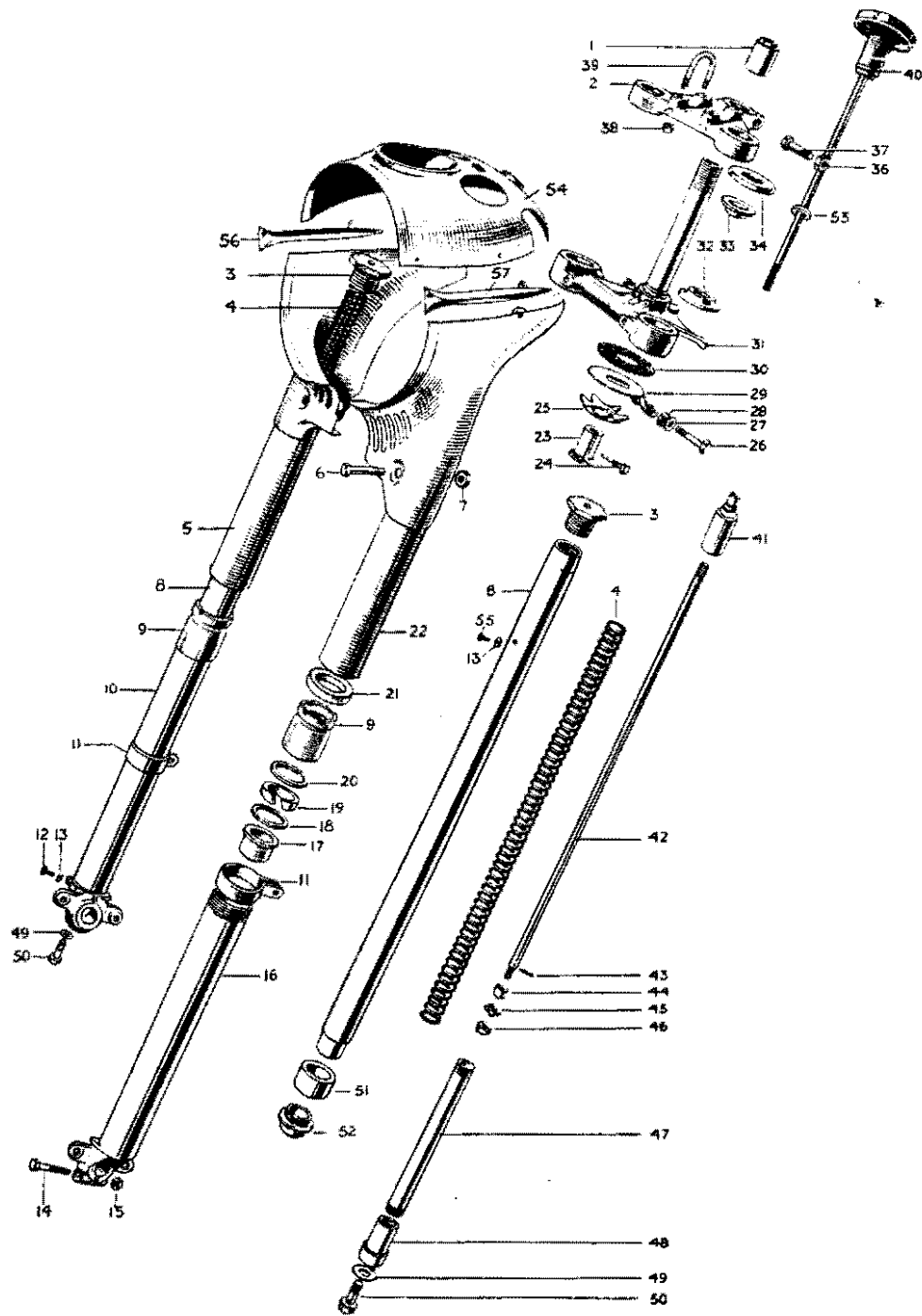
SEE ILLUSTRATIONS ON PAGES 58

PLEASE STATE COLOUR WHEN ORDERING

### BATTERY CARRIER GROUP

REF. No.	PART No.	DESCRIPTION	3T	5T	6T	TR5	T100
1	F2876	Carrier assembly, battery ...	1	1	1	—	1
2	F1670A	" " " " " " ...	—	—	—	1	—
3	F2877/B	Base and back assembly, carrier ...	1	1	1	—	1
4	F1665/2878	" " " " " " ...	—	—	—	1	—
5	E534	Swivel, carrier strap plain ...	1	1	1	1	1
6	E535	" " " " tapped ...	1	1	1	1	1
7	E536	Bolt, " " " swivel ...	1	1	1	1	1
8	F1667	Strap, " top ...	1	1	1	1	1
9	F1668	" " front ...	1	1	1	1	1
10	F1727	Pin, " strap hinge ...	2	2	2	2	2
11	F1682	Stud, " to seat tube boss ...	1	1	1	—	1
12	SI-51	Nut, " " " " " stud ...	1	1	1	—	1
13	NW258	Bolt, " top to sleeve nut ...	—	—	—	1	—
14	F1715	" " to primary cover ...	2	2	2	—	2
15	F3062	" " " " " " ...	—	—	—	2	—
16	F3061	Distance piece for F3062 bolt ...	—	—	—	2	—
<b>FRONT FORK GROUP</b>							
17	H709	Fork assembly ...	1	—	—	—	—
18	H692	" " " " " " ...	—	1	—	—	1
19	H777	" " " " " " ...	—	—	1	—	—
20	H728	" " " " " " ...	—	—	—	1	—
21	H663A	Lug, fork head top ...	1	1	1	—	1
22	H721	" " " " c/w clips ...	—	—	—	1	—
23	F1760	Bolt, " " " lug pinch ...	1	1	1	1	1
24	H379	Nut, " " " bolt ...	1	1	1	1	1
25	H660	"U" bolt, handlebar clamp ...	2	2	2	—	2
26	S25-3	Washer, " " " " " " ...	4	4	4	—	4
27	SI-51	Nut, " " " " " " ...	4	4	4	—	4
28	H722	Cap, " " " " " " ...	—	—	—	2	—
29	H436	Bolt, " " " cap ...	—	—	—	4	—
30	H695	Crown and Stem, fork ...	1	1	1	—	1
31	H731	" " " " " " ...	—	—	—	1	—
32	H404	Nut, crown and stem sleeve ...	1	—	—	—	—
33	H405	" " " " " " ...	—	1	1	1	1
34	H570	Bolt, " " " to stanchion ...	2	2	2	2	2
35	H518	Nut, " " " " " " ...	2	2	2	2	2
36	H723	Nut, " " " " " " ...	—	—	—	2	—
37	S25-3	Washer, " " " " " " ...	2	2	2	2	2
38	H656	Cover, nacelle N/S ...	1	1	1	—	1
39	H657	" " O/S ...	1	1	1	—	1
40	H421	" top c/w headlamp bracket N/S ...	—	—	—	1	—
41	H422	" " " " " " ...	—	—	—	1	—
42	H618	Top unit, nacelle ...	1	1	1	—	1
43	A46	Transfer, Thunderbird ...	—	—	1	—	—

PLEASE STATE COLOUR WHEN ORDERING



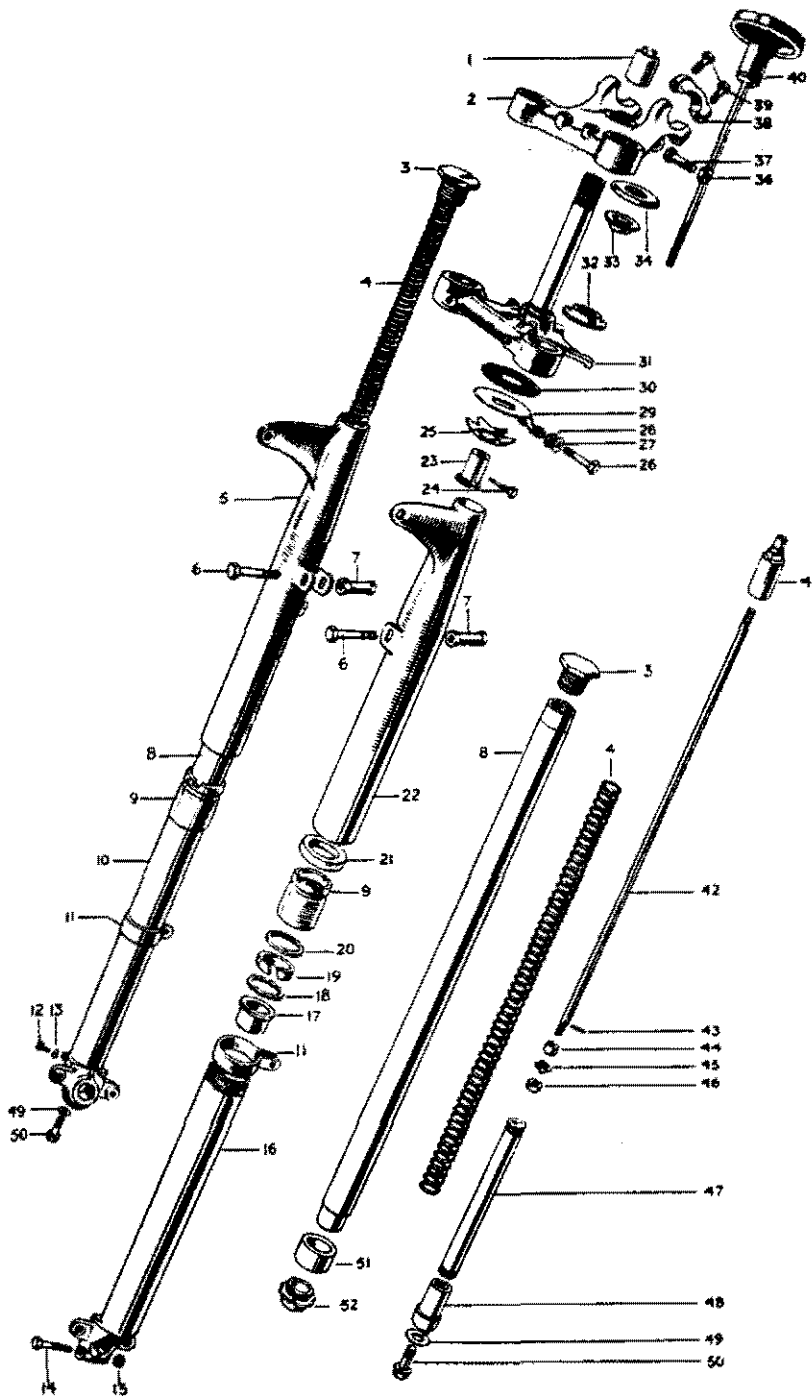
3T, 5T, 6T AND T100 TELESCOPIC FORK

REF. No.	PART No.	DESCRIPTION	3T	5T	6T	TR5	T100
1	H669	Grommet, handlebar rubber	2	2	2	—	2
2	H689	Screw, top unit to nacelle cover	2	2	2	—	2
3	H691	Nut, for H689	2	2	2	—	2
4	E2880	Washer, for H691	2	2	2	—	2
5	H623	Motif (flash) N/S	1	1	1	—	1
6	H624	" " O/S	1	1	1	—	1
7	H688	Screw, motif front	2	2	2	—	2
8	H691	Nut, " "	2	2	2	—	2
9	E2880	" " "	2	2	2	—	2
10	H687	Screw, top unit to nacelle cover	2	2	2	—	2
11	H420	Washer, cover tube felt	2	2	2	2	2
12	H414	Cover, bottom tube with spindle lug N/S	1	1	1	1	1
13	H415	" " " " " O/S	1	1	1	1	1
14	H519	Plug, cover tube bottom drain	2	2	2	2	2
15	H430	Washer, " " " "	2	2	2	2	2

MODELS 3T, 5T, 6T AND T100  
INDEX TO ILLUSTRATION ON PAGE 62

Illust. No.	Part No.	Page	Ref.	Illust. No.	Part No.	Page	Ref.
1	H.405	61	33	29	H.413	66	37
	H.404	61	32		H.434	66	36
2	H.663A	61	21	30	H.435	67	3
3	H.432A	65	12	31	H.695	61	30
4	H.384	66	2	32	H.439	66	26
	H.505	66	3		XS.8	66	25
	H.385	66	1	33	H.438	66	24
5	H.657	61	39		H.433	66	23
6	H.570	61	34	34	H.407	66	31
7	H.518	61	35		H.406	66	30
8	H.382A	65	8	36	H.379	61	24
9	H.390	65	3	37	F.1760	61	23
10	H.415	63	13	38	S.1-51	61	27
11	H.428	77	1	39	H.660	61	25
12	H.519	63	14	40	H.536	66	32
13	H.430	63	15	41	H.397	66	15
14	F.1760	65	1	42	H.399A	66	7
15	H.379	65	2	43	H.454	66	11
16	H.414	63	12	44	H.453	66	10
17	H.441	65	7	45	H.452	66	9
18	H.431	65	6	46	F.879	66	12
19	H.391	65	4	47	H.394	66	13
20	H.445	65	5	48	H.395	66	14
21	H.420	63	11	49	E.1335	66	18
22	H.656	61	38	50	H.398	66	17
23	H.408	66	34	51	H.443	65	14
24	H.409	66	35	52	H.444	65	15
25	H.95	67	4	53	H.565	66	33
26	F.1718	66	39	54	H.618	61	42
27	S.25-3	67	2	55	H.519A	65	10
28	S.1-51	66	40	56	H.624	63	6
				57	H.623	63	5





TR5—TELESCOPIC FORK

REF. No.	PART No.	DESCRIPTION	3T	5T	6T	TR5	T100
1	F1760	Bolt, spindle lug pinch N/S	1	1	1	1	1
2	H379	Nut, " " " "	1	1	1	1	1
3	H390	Sleeve, cover tube dust excluder	2	2	2	2	2
4	H391	Washer, " " " " felt	2	2	2	2	2
5	H445	Washer, inner—For H391	2	2	2	2	2
6	H431	" outer " " " "	2	2	2	2	2
7	H441	Bearing, bottom cover tube	2	2	2	2	2
8	H382A	Stanchion " " " "	2	2	2	—	2
9	H382	" " " " " "	—	—	—	2	—
10	H519A	Plug, stanchion oil filler	2	2	2	—	2
11	H430	Washer, " " " " " "	2	2	2	—	2
12	H432A	Nut, " upper sleeve cap	2	2	2	—	2
13	H432	" " " " " "	—	—	—	2	—
14	H443	Bearing, " lower " " " "	2	2	2	2	2
15	H444	Nut, " hydraulic stop	2	2	2	2	2

MODEL TR5

INDEX TO ILLUSTRATION ON PAGE 64

Illust. No.	Part No.	Page	Ref.	Illust. No.	Part No.	Page	Ref.
1	H.405	61	33	27	S.25-3	66	2
2	H.721	61	22	28	H.518	67	1
3	H.432	65	13	29	H.724	66	38
4	H.750	66	4	30	H.435	67	3
5	H.422	61	41	31	H.731	61	31
6	H.570	61	34	32	H.439	66	26
7	H.723	61	36	33	H.438	66	24
8	H.382	65	9	34	H.407	66	31
9	H.390	65	3	36	H.379	61	24
10	H.415	63	13	37	F.1760	61	23
11	H.428	77	1	38	H.722	61	28
12	H.519	63	14	39	H.436	61	29
13	H.430	63	15	40	H.536	66	32
14	F.1760	65	1	41	H.397	66	15
15	H.379	65	2	42	H.399	66	8
16	H.414	63	12	43	H.454	66	11
17	H.441	65	7	44	H.453	66	10
18	H.431	65	6	45	H.452	66	9
19	H.391	65	4	46	F.879	66	12
20	H.445	65	5	47	H.394	66	13
21	H.420	63	11	48	H.395	66	14
22	H.421	61	40	49	E.1335	66	18
23	H.408	66	34	50	H.398	66	17
24	H.409	66	35	51	H.443	65	14
25	H.95	67	4	52	H.444	65	15
26	F.1718	66	39				

FOR IDENTIFICATION OF PARTS SEE PAGE 6

REF. No.	PART No.	DESCRIPTION	3T	5T	6T	TRS	T100
1	H385	Spring, main (identification WHITE)	2	—	—	—	—
2	H384	" " ( " RED) Solo	—	2	2	—	2
3	H505	" " ( " BLUE) Sidecar	—	2	2	—	2
4	H750	" " ( " GREEN)	—	—	—	2	—
5	H521A	Pressure tube assembly	2	2	2	—	2
6	H521	" " " " " " " "	—	—	—	2	—
7	H399A	Rod, oil pressure	2	2	2	—	2
8	H399	" " " " " " " "	—	—	—	2	—
9	H452	Restrictor, oil	2	2	2	2	2
10	H453	Cup, oil restrictor rod	2	2	2	2	2
11	H454	Pin, " " " cup	2	2	2	2	2
12	F879	Nut, " " " "	2	2	2	2	2
13	H394	Tube, pressure	2	2	2	2	2
14	H395	Body, " tube valve	2	2	2	2	2
15	H397	Sleeve, " " support	2	2	2	2	2
16	H500	Pin, valve body	2	2	2	2	2
17	H398	Bolt, " " to lug	2	2	2	2	2
18	E1335	Washer, " " " bolt	2	2	2	2	2

#### STEERING CUPS, CONES AND BALLS

19	XS10	Cup, frame lug, top	1	—	—	—	—
20	H437	" " " " " " " "	—	1	1	1	1
21	XS10	" " " " " " " "	1	—	—	—	—
22	H111	" " " " " " " "	—	1	1	1	1
23	H433	Cone, head lug, top	1	—	—	—	—
24	H438	" " " " " " " "	—	1	1	1	1
25	XS8	Cone, crown and stem, bottom	1	—	—	—	—
26	H439	" " " " " " " "	—	1	1	1	1
27	S70-4	Ball, top race $\frac{3}{16}$ "	22	22	22	22	22
28	S70-4	" " " " " " " "	22	—	—	—	—
29	S70-3	" " " " " " " "	—	20	20	20	20
30	H406	Cover, top cone dust	1	—	—	—	—
31	H407	" " " " " " " "	—	1	1	1	1

#### STEERING DAMPER

32	H536	Knob, c/w rod	1	1	1	1	1
33	H565	Washer, damper knob abutment	1	1	1	1	1
34	H408	Sleeve, " adjusting	1	1	1	1	1
35	H409	Pin, sleeve securing	1	1	1	1	1
36	H434	Plate, damper anchor	1	—	—	—	—
37	H413	" " " " " " " "	—	1	1	—	1
38	H724	" " " " " " " "	—	—	—	1	—
39	F1718	Bolt, " " " plate	1	1	1	1	1
40	S1-51	Nut, " " " " " " " "	1	1	1	—	1

ALL GOODS SENT TO WORKS MUST BE CARRIAGE PAID

REF. No.	PART No.	DESCRIPTION	3T	5T	6T	TRS	T100
1	H518	Nut, damper anchor plate	—	—	—	1	—
2	S25-3	Washer, " " " " " " " "	1	1	1	1	1
3	H435	Disc, " " " friction	1	1	1	1	1
4	H95	Plate, " " " spring	1	1	1	1	1

### STAND GROUP

#### FRONT STAND

5	H412	Stand assembly, front	1	1	1	1	1
6	D555	Bolt, front guard to stand	1	1	1	1	1
7	S1-51	Nut, " " " " " bolt	1	1	1	1	1
8	N5362	" " stand to guard spigot	1	1	1	1	1
9	H424	Screw, " " " " " pivot	2	2	2	2	2
10	S25-3	Washer, pivot screw plain	2	2	2	2	2
11	H425	" " " " " spring	2	2	2	2	2

#### REAR STAND

12	F1834	Stand assembly, rear	1	1	1	1	1
13	F975A	Spring, rear stand	1	1	1	1	1
14	F977	Bolt, " " " " " pivot	2	2	2	2	2
15	W630	Nut, " " " " " bolt	2	2	2	2	2
16	F976	Washer, " " " " " " " "	2	2	2	2	2

### FRONT WHEEL GROUP

#### WHEELS

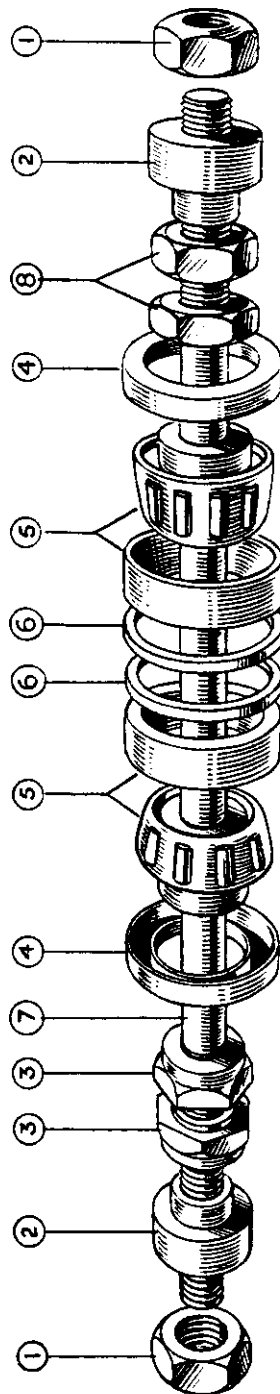
NOTE. Spokes with specially angled heads ensures very sturdy wheel construction. To maintain this condition, state clearly when ordering sundry spokes:—

- (a) Side of wheel, i.e. brake side or reverse; N/S or O/S.  
 (b) Whether head of spoke is toward or away from wheel centre.  
 98° Towards centre. 99° Away from centre.  
 88° " " " " " " " " 90° " " " " " " " "

17	W937	Wheel, front complete	1	1	1	—	1
18	W944	" " " " " " " "	—	—	—	1	—
19	W938	" "	1	1	1	—	1
20	W945	" "	—	—	—	1	—
21	W351	Rim, front wheel WM2-19	1	1	1	—	1
22	W870	" "	—	—	—	1	—
23	W660	Spoke, long, $8\frac{1}{2}$ " x 10G—88° N/S	1	1	1	—	1
24	W661	" "	1	1	1	—	1
25	W354	" "	—	—	—	1	—
26	W354X	" "	—	—	—	1	—

PLEASE STATE COLOUR WHEN ORDERING





REAR WHEEL (RIGID) AXLE ASSEMBLY

INDEX

Illust. No.	Part No.	Page	Ref.	Illust. No.	Part No.	Page	Ref.
1	T5.42	71	6	5	W.7A	71	7
2	W.6	71	11	6	NW.225	71	8
3	W.5	71	18	7	W.61	71	5
3	W.12	71	9	8	W.4	71	10

REF. No.	PART No.	DESCRIPTION	3T	5T	6T	TR5	T100
1	W311	Drum, brake	1	1	1	1	1
2	W62	Bolt, .. drum to hub	8	8	8	8	8
3	SI-51	Nut, .. .. .	8	8	8	8	8
4	W63	Lockplate, .. .. nut	4	4	4	4	4
5	W61	Spindle, rear wheel hub	1	1	1	1	1
6	TS42	Nut, .. .. spindle	2	2	2	2	2
7	W7A	Bearing, .. ..	2	2	2	2	2
8	NW225	Ring, bearing backing	2	2	2	2	2
9	W12	Cap, .. dust	2	2	2	2	2
10	W4	Nut, .. adjusting lock	2	2	2	2	2
11	W6	Collar, chain adjuster thrust	2	2	2	2	2
12	W56	Sprocket, chain wheel 46T	1	1	1	1	1
13	W64	Bolt, .. .. sprocket	8	8	8	8	8
14	E2312	Lockwasher for W64 (shakeproof)	8	8	8	8	8
15	D106	Bolt, tyre security	1	1	1	—	1
16	WM3	" " " " " "	—	—	—	1	—

REAR WHEEL BRAKE

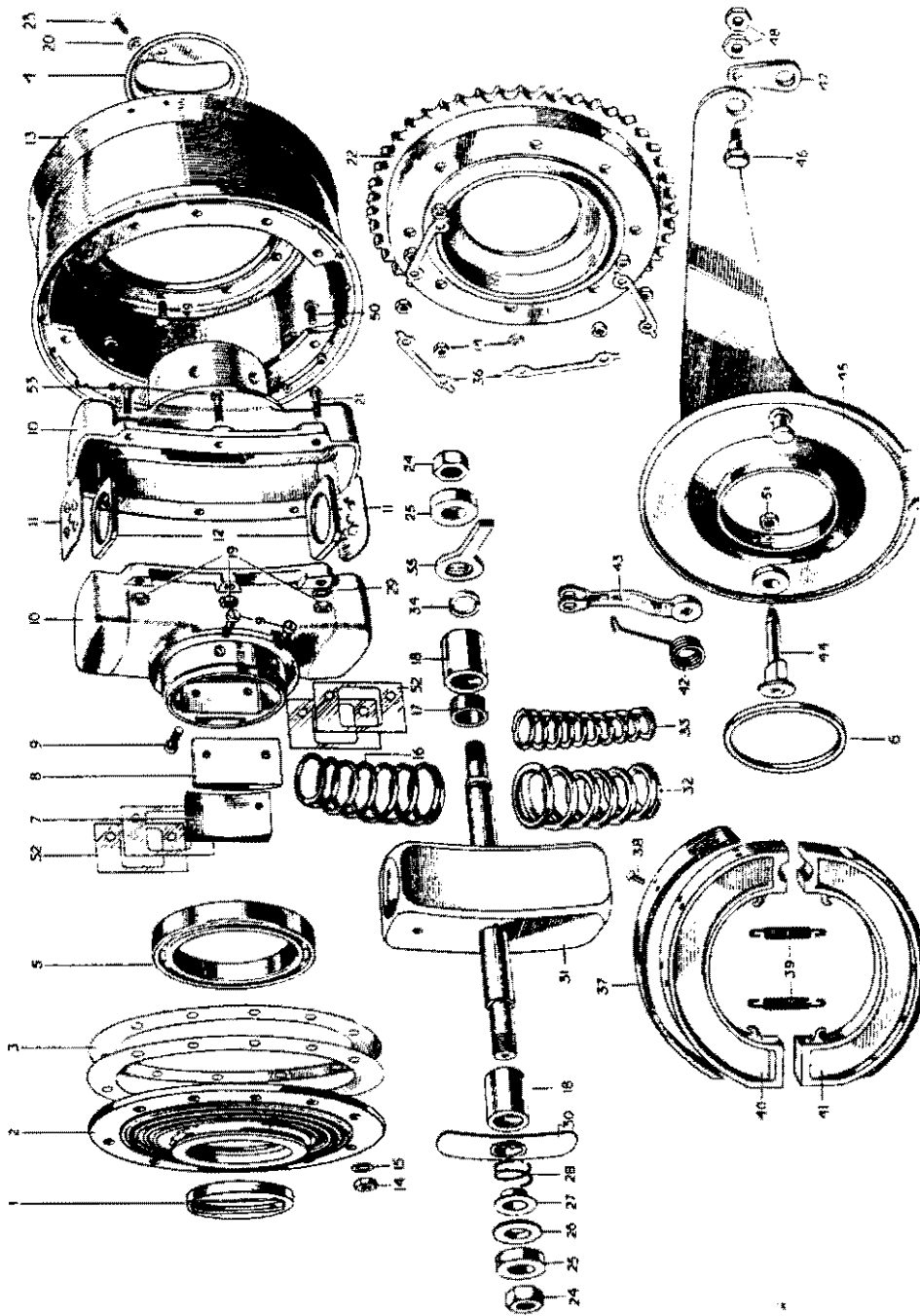
17	W762	Plate, rear brake anchor	1	1	1	1	1
18	W5	Locknut, rear brake anchor plate	2	2	2	2	2
19	W764	Thrower, rear brake drum	1	1	1	1	1
20	W93	Shoe assembly, rear with lining	2	2	2	2	2
21	NW243	Lining, rear brake shoe	2	2	2	2	2
22	W129	Rivet, brake shoe lining	16	16	16	16	16
23	W135	Spring, brake shoe return	2	2	2	2	2
24	W856	Cam assembly, rear brake	1	1	1	1	1
25	W74A	Lever, rear brake cam	1	1	1	1	1
26	SI-52	Nut, .. .. lever	1	1	1	1	1
27	W123	Spring, .. .. return	1	1	1	1	1

REAR SPRING WHEEL GROUP

MARK 2

28	W923A	Wheel, rear spring, complete	1	—	—	—	—
29	W925A	" " " " " "	—	1	1	—	1
30	W924A	" " " " " "	—	—	—	1	—
31	W643	Rim, .. .. wheel W2-19	1	1	1	1	1
32	W894	" " " " " " W3-19	—	—	—	—	—
33	W644	Spoke .. .. .	40	40	40	40	40
34	S79-2	Nipple, spoke .. .. .	40	40	40	40	40
35	W905	Hub .. .. .	1	1	1	1	1
36	W903	Drum, sprocket and brake	1	1	1	1	1
37	W641	Bolt, brake drum to hub	8	8	8	8	8

PLEASE STATE COLOUR WHEN ORDERING



REF. No.	PART No.	DESCRIPTION	3T	5T	6T	TR5	T100
1	W642	Lockplate, brake drum bolt ...	4	4	4	4	4
2	F879	Nut, " " " " " " " "	8	8	8	8	8
3	W897	Bearing, wheel ...	2	2	2	2	2
4	W904	Spacer ring, bearing N'S ...	1	1	1	1	1
5	W909	End plate, hub ...	1	1	1	1	1
6	W744	Shim, end plate ...	9	9	9	9	9
7	W640	Bolt, end plate to hub shell ...	10	10	10	10	10
8	E2312	Washer, " " " " " " " "	10	10	10	10	10
9	F875	Nut, " " " " " " " "	10	10	10	10	10
10	W931	Plunger, guide box assembly ...	1	1	1	1	1
11	W906 7	Box, plunger guide ...	1	1	1	1	1
12	W935	Pad, front slipper (Convex) ...	2	2	2	2	2
13	W936	" rear " (Concave) ...	2	2	2	2	2
14	W866	Shim, slipper pad .002" thick ...				As required	
15	W867	" " " " .003 " " " " " "				As required	
16	W638	Screw, " " " " " " " "	8	8	8	8	8
17	E1562	Bolt, plunger guide box (top rear and bottom front) ...	2	2	2	2	2
18	W932	Bolt, plunger guide box ...	4	4	4	4	4
19	E2312	Washer, " " " " " " " "	6	6	6	6	6
20	S1-40	Nut, " " " " " " " "	6	6	6	6	6

**ALL MODELS  
INDEX TO ILLUSTRATION ON PAGE 72**

Illust. No.	Part No.	Page	Ref.	Illust. No.	Part No.	Page	Ref.
1	W.849	74	17	29	E.2312	73	19
2	W.909	73	5	30	W.898	74	18
3	W.744	73	6	31	W.895	74	1
4	W.901	74	14	32	W.836	74	5
5	W.897	73	3	33	W.837	74	4
6	W.904	73	4	34	W.634	74	10
7	W.936	73	13	35	W.639	74	9
8	W.935	73	12	36	W.642	73	1
9	W.638	73	16	37	W.631	74	26
10	W.906 7	73	11	38	W.129	74	27
11	W.941	74	7	39	W.135	74	28
12	W.658A	74	8	40	W.912	74	25
13	W.905	71	35	41	W.911	74	24
14	F.879	73	2	42	W.123	74	32
15	E.2312	73	8	43	W.74A	74	30
16	W.890	74	6	44	W.856	74	29
17	W.766	74	3	45	W.920A	74	22
18	W.908	74	2		W.921A	74	23
19	S.1-40	73	20	46	W.784	74	35
20	GS.299	74	16	47	W.855	74	33
21	E.1562	73	17		W.626	74	34
22	W.903	71	36	48	W.630	74	36
23	H.687	74	15	49	W.641	71	37
24	W.635	74	13	50	W.640	73	7
25	W.633	74	12	51	S.1-52	74	31
26	W.798	74	11	52	W.866	73	14
27	W.900	74	20		W.867	73	15
28	W.799	74	19	53	W.932	73	18

REF. No.	PART No.	DESCRIPTION	3T	5T	6T	TR5	T100
1	W895	Axle and guide assembly	1	1	1	1	1
2	W908	Roller, slipper	2	2	2	2	2
3	W766	Sleeve, slipper roller distance N-S	1	1	1	1	1
4	W837	Spring, inner main	1	1	1	1	1
5	W836	" outer	1	1	1	1	1
6	W890	" rebound	1	1	1	1	1
7	W941	Plate, spring locator	2	2	2	2	2
8	W658A	Buffer, spring (rubber)	2	2	2	2	2
9	W639	Lever, axle shaft anchorage	1	1	1	1	1
10	W634	Circlip, axle shaft split	2	2	2	2	2
11	W798	Collar, " " distance O/S	1	1	1	1	1
12	W633	" " " outer	2	2	2	2	2
13	W635	Nut, " "	2	2	2	2	2
14	W901	Cover, dust excluder N-S	1	1	1	1	1
15	H687	Screw, " " " cover	2	2	2	2	2
16	G5299	Washer, " " " "	2	2	2	2	2
17	W849	Cover, " " O/S	1	1	1	1	1
18	W898	Plate, " " " "	2	2	2	2	2
19	W799	Spring, " " plate	2	2	2	2	2
20	W900	Sleeve, " " " centre	2	2	2	2	2
21	D106	Bolt, tyre security	1	1	1	2	1

### SPRING WHEEL BRAKE

22	W920A	Plate, brake anchor	1	—	—	1	—
23	W921A	" " " "	—	1	1	—	1
24	W911	Shoe, c/w lining trailing brake	1	1	1	1	1
25	W912	" " " " " "	1	1	1	1	1
26	W631	Lining, brake	2	2	2	2	2
27	W129	Rivet, " shoe lining	16	16	16	16	16
28	W135	Spring, " " return	2	2	2	2	2
29	W856	Cam, brake operating	1	1	1	1	1
30	W74A	Lever, " " " "	1	1	1	1	1
31	S1-52	Nut, " " lever	1	1	1	1	1
32	W123	Spring, " " " return	1	1	1	1	1
33	W855	Link, brake anchorage	1	—	—	1	—
34	W626	" " " " " "	—	1	1	—	1
35	W784	Bolt, " " " "	1	1	1	1	1
36	W630	Nut, " " " bolt	2	2	2	2	2
37	W743	" " " " to spindle	1	1	1	1	1
		$\frac{3}{8}$ " x 1" Split pin, for W743 nut	1	1	1	1	1
38	F1015C	Rod, brake operating	1	—	—	1	—
39	F1015B	" " " " " "	—	1	1	—	1

SEE SPECIMEN ORDER IN PREFACE

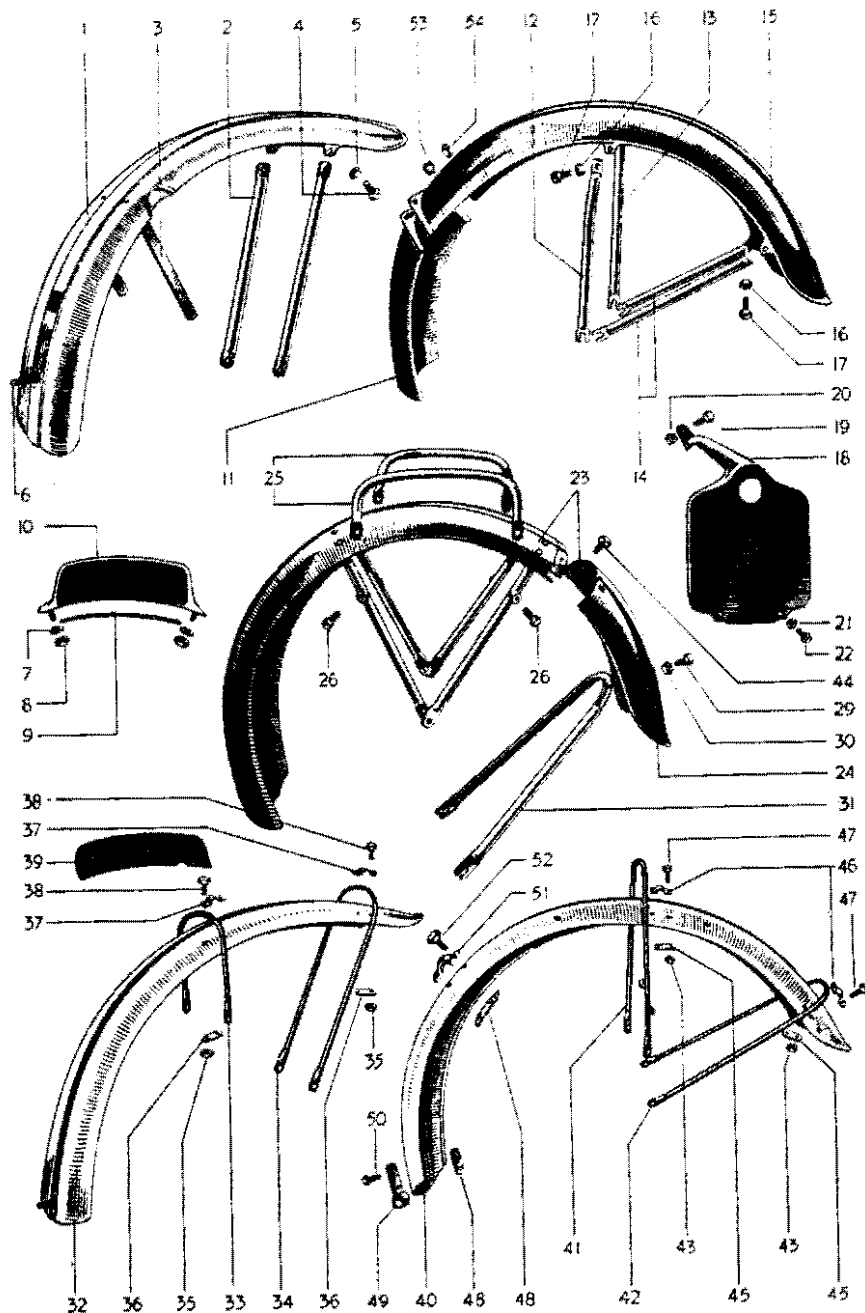
## MUDGUARD GROUP

REF. No.	PART No.	DESCRIPTION	3T	5T	6T	TR5	T100
FRONT MUDGUARD							
1	H566	Mudguard assembly, less front stays	1	1	1	—	1
2	H716	Blade only, front mudguard	—	—	—	1	—
3	H569	Stay, " " " "	2	2	2	—	2
4	H719	" " " " " "	—	—	—	1	—
5	H532	Clip, " " " stay	—	—	—	2	—
6	H533	Backing strip, clip	—	—	—	2	—
7	DS57	Bolt, stay to mudguard	2	2	2	4	2
8	E1612	Washer, " " " bolt	2	2	2	4	2
9	F879	Nut, " " " " " "	2	2	2	4	2
10	H427	Bridge, mudguard support	1	1	1	—	1
11	H717	" " " " " "	—	—	—	1	—
12	H532	Clip, " " " bridge	—	—	—	2	—
13	H533	Backing strip, clip	—	—	—	2	—
14	DS57	Bolt, bridge to mudguard	—	—	—	4	—
15	E1612	Washer, " " " bolt	—	—	—	4	—
16	F879	Nut, " " " " " "	—	—	—	4	—

### ALL MODELS

#### INDEX TO ILLUSTRATION ON PAGE 76

Illust. No.	Part No.	Page	Ref.	Illust. No.	Part No.	Page	Ref.
1	H.566	75	1	29	F.1369	77	23
2	H.569	75	3	30	F.879	77	25
3	H.427	75	10	31	F.1087	77	17
4	DS.57	75	7	32	H.716	75	2
5	F.879	75	9	33	H.717	75	11
6	DS.55	67	6	34	H.719	75	4
7	S.26-2	78	12	35	F.879	75	9
8	F.879	78	10	36	H.533	75	6
9	H.251	78	13	37	H.532	75	5
10	F.2698	78	6	38	DS.57	75	7
11	F.2756	77	12	39	F.2996	78	7
12	F.2761	77	18	40	F.2998	77	14
13	F.2763	77	19	41	F.2999	77	21
14	F.2764	77	20	42	F.3001	77	22
15	F.3012	77	13	43	F.879	77	32
16	S.1-51	77	28	44	DS.57	77	16
17	F.2335	77	26	45	H.533	77	30
18	F.2728	78	14	46	H.532	77	29
19	F.929	78	15	47	DS.57	77	31
20	S.1-51	78	16	48	F.444	77	36
21	F.879	78	19	49	F.2717	77	34
22	F.1369	78	18	50	S.23-42	77	37
23	F.1722	77	11	51	PF.204	77	35
24	F.1723A	77	15	52	S.23-42	77	37
25	NF.733	78	4	53	S.26-2	78	3
26	F.929	78	5	54	E.1720	78	2



FRONT AND REAR MUDGUARDS

REF. No.	PART No.	DESCRIPTION	3T	5T	6T	TR5	T100
1	H428	Clip, support bridge to fork...	2	2	2	2	2
2	H426	Bolt, " " " " " clip N 5	1	1	1	—	1
3	F1031	" " " " " " " " " "	—	—	—	1	—
4	H451	" " " " " " " " " " O 5	1	1	1	—	1
5	H622	" " " " " " " " " "	—	—	—	1	—
6	PO172A	Nut, clip bolt ...	2	2	2	2	2
7	S26-1	Washer, " " nut ...	2	2	2	2	2
8	F929	Bolt, mudguard stay to fork end ...	2	2	2	—	2
9	F2335	" " " " " " " " " "	—	—	—	2	—
10	S26-3	Washer, " " " " " " " " " "	2	2	2	2	2

REAR MUDGUARD

11	F1722	Mudguard assembly, rear ...	1	—	—	—	—
12	F2756	" " front section ...	—	1	1	—	1
13	F3012	" " rear " " ...	—	1	1	—	1
14	F2998	Blade only, mudguard rear ...	—	—	—	1	—
15	F1723A	Tailguard, " " " " ...	1	—	—	—	—
16	DS57	Bolt, tailguard to mudguard ...	2	—	—	—	—
17	F1087	Stay, tailguard ...	1	—	—	—	—
18	F2761	" " mudguard centre N/S ...	—	1	1	—	1
19	F2763	" " " " " O/S ...	—	1	1	—	1
20	F2764	" " " " rear ...	—	2	2	—	2
21	F2999	" " " " centre ...	—	—	—	1	—
22	F3001	" " " " rear ...	—	—	—	1	—
23	F1369	Bolt, tailguard to stay ...	2	—	—	—	—
24	S26-2	Washer, " " " bolt ...	2	—	—	—	—
25	F879	Nut, " " " " " " ...	2	—	—	—	—
26	F2335	Bolt, stay to mudguard ...	—	4	4	—	4
27	E2287	Washer, " " " " bolt ...	—	4	4	—	4
28	S1-51	Nut, " " " " " " ...	—	4	4	—	4
29	H532	Clip, centre and rear stay ...	—	—	—	4	—
30	H533	Backing strip, clip ...	—	—	—	4	—
31	DS57	Bolt, clip to mudguard ...	—	—	—	8	—
32	F879	Nut, " " " " " bolt ...	—	—	—	8	—
33	E1612	Washer, " " " " " " ...	—	—	—	8	—
34	F2717	Clip, mudguard to frame lower ...	—	—	—	1	—
35	PF204	" " " " " " " " " " ...	2	1	1	1	1
36	F444	Backing plate for PF204 clip ...	2	1	1	1	1
37	S23-42	Bolt, clip and backing plate ...	4	2	2	4	2
38	S25-1	Washer, " " " " " " ...	4	2	2	4	2
39	F946	Stud, mudguard stay to frame ...	2	—	—	—	—
40	F947	Nut, " " " " " " stud ...	2	—	—	—	—
41	S25-65	Washer, " " " " " " " " ...	2	—	—	—	—
42	E579	Bolt, " " " " " " " " ...	—	2	2	—	2
43	F1031	" " " " " " " " " " ...	—	—	—	2	—
44	S26-2	Washer, " " " " " " bolt ...	2	2	2	2	2

PLEASE STATE COLOUR WHEN ORDERING

REF. No.	PART No.	DESCRIPTION	3T	5T	6T	TR5	T100
1	F2908	Stud, mudguard, front to rear section	—	2	2	—	2
2	E1720	Nut, " " " " " "	—	2	2	—	2
3	S26-2	Washer, " " " " " "	—	2	2	—	2
4	NF733	Handle, lifting	2	—	—	—	—
5	F929	Bolt, " handle	2	—	—	—	—

### NUMBER PLATE GROUP

#### FRONT NUMBER PLATE

6	F2698	Plate assembly, number	1	1	1	—	1
7	F2996	" number	—	—	—	1	—
8	H741	Clip, plate to mudguard c/w nut and bolt	—	—	—	2	—
9	H687	Screw, " clip	—	—	—	2	—
10	F879	Nut, " stud	2	2	2	—	2
11	H745	" clip screw	—	—	—	2	—
12	S26-2	Washer, stud	2	2	2	—	2
13	H2S1	Beading, plate (rubber)	1	1	1	—	1

#### REAR NUMBER PLATE

14	F2728	Plate, rear number	1	1	1	1	1
15	F929	Bolt, " " plate top	1	1	1	1	1
16	S1-51	Nut, " " " "	1	1	1	1	1
17	S26-3	Washer, number plate top bolt	1	1	1	1	1
18	F1369	Bolt, " " bottom bolt	2	2	2	2	2
19	F879	Nut, " " " "	2	2	2	2	2
20	S26-2	Washer, " " " "	2	2	2	2	2
21	D68	Transfer, " " (gold and white)	1	1	1	—	—
22	D68A	" " " (blue and white)	—	—	—	1	1

### PRIMARY CHAINCASE GROUP

23	T478A	Cover, chaincase outer	1	—	—	1	—
24	T480A	" " " "	—	1	1	—	1
25	T725	" " inner	1	—	—	—	—
26	T483A	" " " "	—	1	1	—	1
27	T885A	" " " "	—	—	—	1	—
28	NT367	Plug, chaincase oil filler	1	1	1	1	1
29	NT376	Washer, " " plug	1	1	1	1	1
30	PCE102F	Plug, " " drain	1	1	1	1	1
31	WE170	Washer, " " plug	1	1	1	1	1
32	NT316	Dowel, " to footrest	2	2	2	2	2
33	T484	Plate, " oil retainer	1	1	1	1	1

WHEN IN DOUBT SEND SAMPLE

REF. No.	PART No.	DESCRIPTION	3T	5T	6T	TR5	T100
1	T91	Plate, chaincase oil retainer spring	1	1	1	1	1
2	T177A	Rivet, " " " plate	2	2	2	2	2
3	T496	Adjuster, rear chain oiler	1	1	1	1	1
4	T497	Spring, " " " "	1	1	1	1	1
5	T503	Washer, chaincase joint	1	—	—	1	—
6	T504	" " " " " "	—	1	1	—	1
7	E427	Screw, chaincase cover (short)	9	9	9	15	9
8	E2691	" " " (long)	—	3	3	—	3
9	E329	" " " ( " )	3	—	—	—	—

### CHAINGUARD GROUP

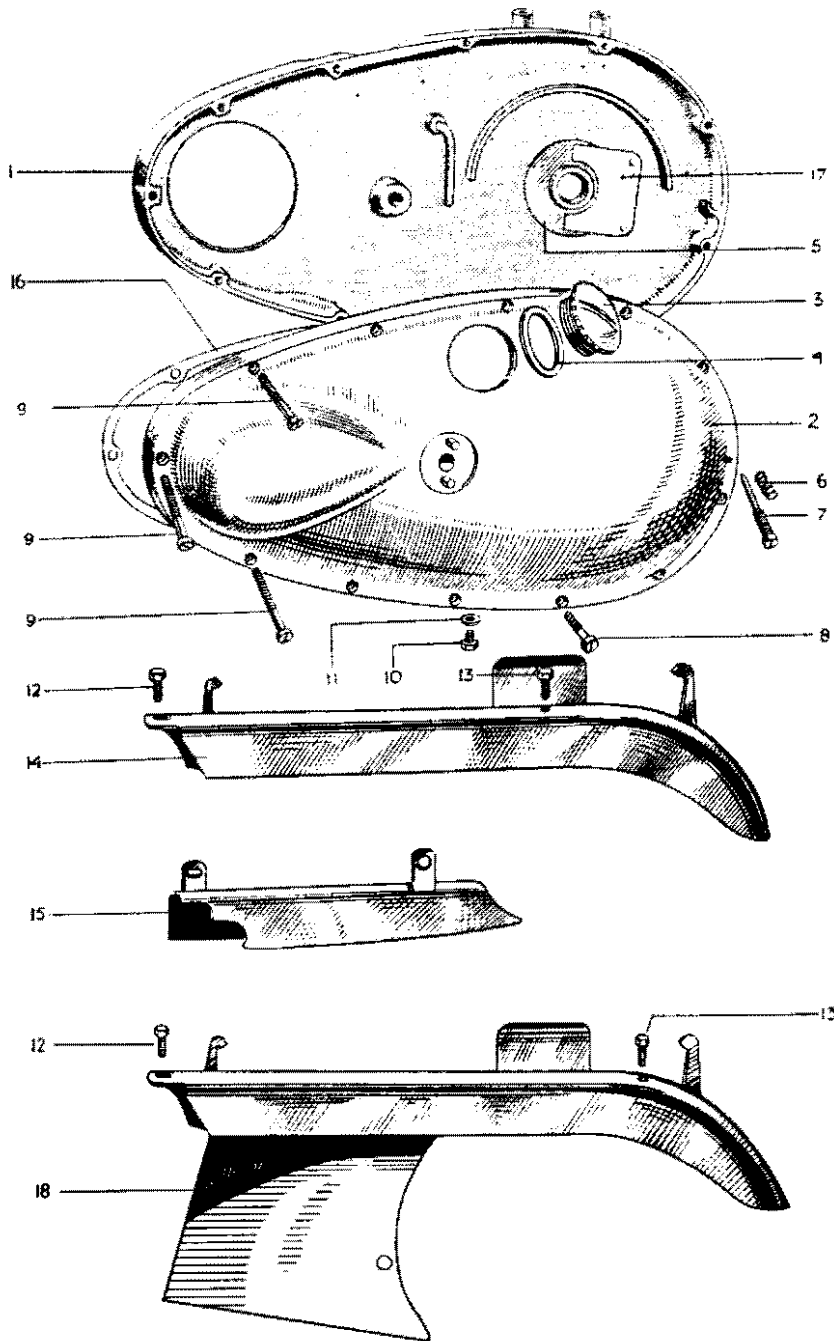
10	T148A	Chainguard, rear upper	1	—	—	—	—
11	T766	" " " "	—	1	1	—	1
12	T891	" " assembly (rigid wheel)	—	—	—	1	—
13	T891A	" " " (spring wheel)	—	—	—	1	—
14	F3049	Distance piece, chainguard to frame	—	—	—	1	—
15	DS57	Bolt, chainguard rear upper	1	1	1	1	1
16	S23-37	" " front " " "	1	1	1	1	1
17	S25-1	Washer, " bolt front and rear	2	2	2	2	2
18	F2631	Bolt, " to frame	—	—	—	1	—
19	S25-2	Washer, " " bolt	—	—	—	1	—
20	W630	Nut, " " " "	—	—	—	1	—
21	F1730	Chainguard, rear lower	1	1	1	—	1
22	F1369	Bolt, chainguard lower front	1	1	1	—	1
23	F879	Nut, " " " bolt	1	1	1	—	1
24	S26-2	Washer, " " " " "	1	1	1	—	1
25	F1760	Bolt, " " rear	1	1	1	—	1
26	S1-52	Nut, " " " bolt	1	1	1	—	1

### CHAIN GROUP

27	T376	Chain, primary 74L x 1/2" x .305"	1	—	—	—	—
28	D120	Chain, primary 78L x 3/4" x .305" (Solo)	—	1	—	—	1
29	D121	Chain, primary 77L x 3/4" x .305" (Sidecar)	—	1	—	—	1
30	D40	Chain, primary 80L x 1/2" x .305" (Solo)	—	—	1	—	—
31	D120	Chain, primary 78L x 3/4" x .305" (Sidecar)	—	—	1	—	—
32	D244	Chain, primary 76L x 3/4" x .305"	—	—	—	1	—
33	D69	" rear 90L x 1/2" x 1/4"	1	—	—	1	—
34	D116	" " 93L x 1/2" x 1/4"	—	1	1	—	1
35	110-046/49	Kit, primary chain spare parts	1	1	1	1	1
36	110-056/59	" rear " " "	1	1	1	1	1

TREASURY NOTES MUST BE REGISTERED





PRIMARY CHAINCASES AND REAR CHAINGUARDS

## TANK GROUP

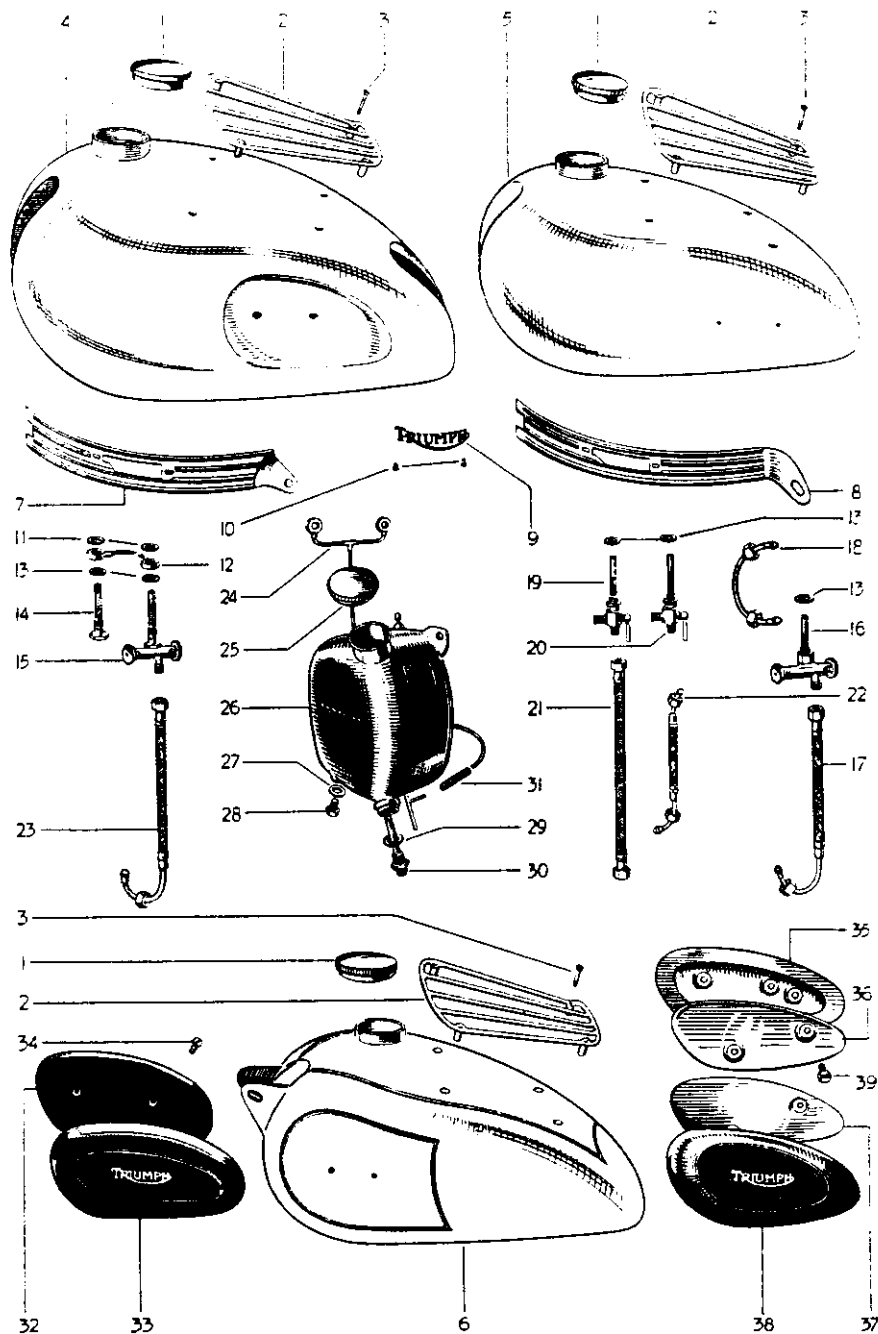
REF. No.	PART No.	DESCRIPTION	3T	5T	6T	TR5	T100
<b>PETROL TANK</b>							
1	F3184 PB	Tank, petrol ... ..	1	—	—	—	—
2	F3183 PR	" " " " " " " " " " " "	—	1	—	—	—
3	F3183 TM	" " " " " " " " " " " "	—	—	1	—	—
4	F3185	" " " " " " " " " " " "	—	—	—	1	—
5	F3183 P5	" " " " " " " " " " " "	—	—	—	—	1
6	F3220	Cap, " tank filler ... ..	1	1	1	1	1
7	F3083	Band, " " styling N/S ... ..	1	—	—	—	—
8	F3084	" " " " " O/S ... ..	1	—	—	—	—
9	F3080	" " " " " N/S ... ..	—	1	1	—	1
10	F3081	" " " " " O/S ... ..	—	1	1	—	1
11	F1823C	Nameplate, petrol tank ... ..	2	—	—	—	—
12	F1823A	" " " " " " " " " " " "	—	2	—	—	—
13	F1823H	" " " " " " " " " " " "	—	—	2	—	—
14	F1823F	" " " " " " " " " " " "	—	—	—	2	2
15	F3113	Screw, nameplate ... ..	4	4	4	—	4
16	F1915	" " " " " " " " " " " "	—	—	—	4	—
17	F1717	Tap, petrol feed ... ..	1	—	—	—	—
18	F2124	" " " " " " " " " " " "	—	1	—	—	—
19	F3057	" " " " (N/S 6T and T100) ... ..	—	—	1	2	1
20	F3116	" " " " (O/S) ... ..	—	—	1	—	1
21	F1511	Washer, " tap ... ..	1	1	2	2	1
22	F1721	"U" pipe, connecting ... ..	1	—	—	—	—

### ALL MODELS

#### INDEX TO ILLUSTRATION ON PAGE 80

Illust. No.	Part No.	Page	Ref.	Illust. No.	Part No.	Page	Ref.
1	T.725	78	25	10	PCE.102F	78	30
	T.483A	78	26	11	WE.170	78	31
	T.885A	78	27	12	S.23-37	79	16
2	T.478A	78	23	13	DS.57	79	15
	T.480A	78	24	14	T.148A	79	10
3	NT.367	78	28		T.766	79	11
4	NT.376	78	29	15	F.1730	79	21
5	T.484	78	33	16	T.503	79	5
6	T.497	79	4		T.504	79	6
7	T.496	79	3	18	T.891	79	12
8	E.427	79	7		T.891A	79	13
9	E.2691	79	8				
	E.329	79	9				

FOR IDENTIFICATION OF PARTS SEE PAGE 6



PETROL AND OIL TANKS WITH FITTINGS

REF. No.	PART No.	DESCRIPTION	3T	ST	6T	TR5	T100
1	F2120	Pipe, connecting	—	1	—	—	—
2	F2593	Adaptor, connecting pipe	—	1	—	—	—
3	GS367	Washer, " adaptor	—	3	—	—	—
4	F3059	Pipe, petrol feed	1	—	—	—	—
5	F3060	" " "	—	1	—	—	—
6	F2918	" " " N/S	—	—	1	1	1
7	F2919	" " " O/S	—	—	1	1	1
8	F2958	Adaptor, carburetter to petrol pipe	—	—	1	1	1
9	GS367	Washer, adaptor to carburetter	—	—	1	1	1
10	F2959	Sleeve nut, adaptor	—	—	1	1	1
11	F2570	Washer, sleeve nut	—	—	1	1	1
12	F1606	Pad, knee grip N S	1	—	—	—	—
13	F1605	" " " O/S	1	—	—	—	—
14	F1607	Plate, " " pad N S	1	—	—	—	—
15	F1607A	" " " O/S	1	—	—	—	—
16	F2551	Pad, " " N/S	—	1	1	—	1
17	F2552	" " " O/S	—	1	1	—	1
18	T361	Screw, " " plate	4	—	—	—	—

ALL MODELS

INDEX TO ILLUSTRATION ON PAGE 82

Illust. No.	Part No.	Page	Ref.	Illust. No.	Part No.	Page	Ref.
1	F.3220	81	6	18	F.1721	81	22
2	F.2933	84	15	19	F.3057	81	19
3	F.2936	84	16	20	F.3116	81	20
4	F.3183PR	81	2	21	F.2919	83	7
	F.3183TM	81	3	22	F.2918	83	6
	F.3183PS	81	5	23	F.3060	83	5
5	F.3184PB	81	1	24	E.1781	38	18
6	F.3185	81	4		E.1937A	38	19
7	F.3080	81	9	25	F.3216	84	20
	F.3081	81	10	26	F.3175	84	18
8	F.3083	81	7		F.3186	84	19
	F.3084	81	8	27	PT.104B	84	22
9	F.1823H	81	13	28	F.1792	84	21
	F.1823A	81	12	29	F.1713	85	1
	F.1823C	81	11	30	F.3179	84	40
	F.1823F	81	14	31	E.1947	38	20
10	F.3113	81	15	32	F.2552	83	17
	F.1915	81	16	33	F.2551	83	16
11	GS.367	83	3	34	F.3082	84	1
12	F.2120	83	1		F.1953	84	2
13	F.1511	81	21	35	F.1605	83	13
14	F.2593	83	2	36	F.1607	83	14
15	F.2124	81	18	37	F.1607A	83	15
16	F.1717	81	17	38	F.1606	83	12
17	F.3059	83	4	39	T.361	83	18

FOR IDENTIFICATION OF PARTS SEE PAGE 6

REF. No.	PART No.	DESCRIPTION	3T	5T	6T	TR5	T100
1	F3082	Screw, knee grip pad front ...	—	2	2	—	2
2	F1953	" " " " rear ...	—	2	2	—	2
3	F1813	Washer, " " " front ...	—	2	2	—	2
4	S25-1	" " " " rear ...	—	2	2	—	2
5	F966	Bolt, petrol tank fixing ...	4	—	—	—	—
6	F1808	" " " " (front) ...	—	2	2	—	2
7	F966	" " " " (rear) ...	—	2	2	2	2
8	F3007	Bolt, petrol tank to frame (front) ...	—	—	—	1	—
9	S1-51	Nut, " " " " bolt ...	—	—	—	1	—
10	E2287	Washer, " " " " " ...	—	—	—	1	—
11	F3006	Pad, " " front rubber ...	—	—	—	2	—
12	F967	" " " rubber ...	8	6	6	4	6
13	F1813	" " " front rubber ...	—	2	2	—	2
14	S25-27	Washer, " " bolt plain ...	4	4	4	2	4

### TANK PARCEL GRID

15	F2933	Grid, tank parcel ...	—	1	1	1	1	1
16	F2936	Screw, " " grid ...	4	4	4	4	4	
17	F3096*	Plug, petrol tank " ...	4	4	4	4	4	

\* To replace F2936 when grid is not in use.

### OIL TANK

18	F3175	Tank, oil ...	—	1	1	—	1
19	F3186	" " " " " ...	—	—	—	1	—
20	F3216	Cap, " tank filler ...	—	1	1	1	1
21	E1792	Plug, " " drain ...	—	1	1	1	1
22	PT104B	Washer, " " plug ...	—	1	1	1	1
23	F3077	Connection, oil tank vent (rubber) ...	—	1	1	1	1
24	F3076A	Pipe, " " " (copper) ...	—	1	—	—	—
25	F3076	" " " " " ...	—	1	1	—	1
26	F3076B	" " " " " ...	—	—	—	1	—
27	F929	Bolt, " " to bridge clip ...	1	1	1	—	1
28	H604	" " " " " " ...	—	—	—	1	—
29	F3207	Distance piece, bridge clip bolt ...	—	—	—	1	—
30	F1213	Bolt, oil tank to seat tube clip ...	—	1	1	—	—
31	D555	" " " " " " ...	—	—	—	1	—
32	F2596	" " " " " " ...	—	—	—	1	—
33	F1335	Distance piece, seat tube bolt ...	—	1	1	—	1
34	F2694	" " " " " " ...	—	—	—	1	—
35	F2597	" " " " " " ...	—	—	—	1	—
36	F1682	Stud, oil tank to seat tube ...	—	1	1	—	1
37	S1-51	Nut, " " " stud ...	—	—	—	1	—
38	F3073	" " " " stud ...	—	—	—	1	—
39	S26-3	Washer, bolt to seat tube clip ...	—	—	—	—	1
40	F3179	Filter, oil tank ...	—	1	1	1	1

PLEASE STATE COLOUR WHEN ORDERING

REF. No.	PART No.	DESCRIPTION	3T	5T	6T	TR5	T100
1	F1713	Washer, oil tank filter ...	1	1	1	1	1
2	F3181	Pipe, top half oil feed... ...	1	1	1	—	1
3	F3197	" " " " " " " " ...	—	—	—	1	—
4	F3182	Union nut, feed pipe ...	1	1	1	1	1
5	E2457	Pipes and block, oil tank to engine ...	1	—	—	—	—
6	E1526	" " " " " " " " ...	—	1	1	—	1
7	E2799	Pipes and block, oil tank to engine ...	—	—	—	1	—
8	E1529	Washer, oil pipe block joint... ...	1	1	1	1	1
9	S1-51	Nut, oil pipe block securing ...	1	1	1	1	1
10	S25-3	Washer, " " " " nut ...	1	1	1	1	1
11	MF119	Connection, oil pipe rubber ...	2	2	2	1	2
12	MF119A	" " " " (feed) ...	—	—	—	1	—

### HANDLEBAR GROUP

#### HANDLEBAR

13	H696	Handlebar, complete with all controls ...	1	1	1	—	1
14	H732	" " " " " " " " ...	—	—	—	1	—
15	H659	" bend only ...	1	1	1	—	1
16	H440	" " " " " " " " ...	—	—	—	1	—
17	H230	Grip, handlebar L.H. rubber ...	1	1	1	—	1
18	H230A	" " " " " " " " ...	—	—	—	1	—

For U.S.A. and Canadian Pattern see Page 89

#### THROTTLE CONTROL

19	H697	Twistgrip, assembly ...	1	1	1	—	1
20	H733	" " " " " " " " ...	—	—	—	1	—
21	H230	Grip, twistgrip rubber ...	1	1	1	—	1
22	H230A	" " " " " " " " ...	—	—	—	1	—
23	H698	Head assembly, twistgrip ...	1	1	1	—	1
24	H740	" " " " " " " " ...	—	—	—	1	—
25	H734	" plain half ...	—	—	—	1	—
26	H734A	" threaded half ...	—	—	—	1	—
27	H744	Screw, head clamp ...	—	—	—	2	—
28	H685	Spring, twistgrip friction ...	1	1	1	1	1
29	H665	Screw, " " adjuster ...	1	1	1	1	1
30	H686	Spring, " " " " " " ...	1	1	1	1	1
31	H234	Thimble, " cable ...	1	1	1	—	1
32	H237	Grubscrew, " " " " " " ...	1	1	1	1	1
33	H700	Sleeve assembly, twistgrip ...	1	1	1	—	1
34	H735	" " " " " " " " ...	—	—	—	1	—
35	H233	Plate, sleeve retaining ...	1	1	1	—	1
36	H232	Circlip, " " " " " " ...	1	1	1	—	1
37	H748	Stop screw, twistgrip... ...	—	—	—	1	—
38	H691	Nut, stop screw ...	—	—	—	1	—
39	H738	Pulley, head cable ...	—	—	—	1	—
40	H739	Pin, cable pulley ...	—	—	—	1	—

DO NOT FORGET TO SIGN YOUR ORDER

REF. No. PART No. DESCRIPTION 3T 5T 6T TR5 T100

**THROTTLE CONTROL (AMAL PATTERN)**

1	16 117CE	Twistgrip, assembly	...	...	...	1	...
2	16 070	Grip, twistgrip rubber	...	...	...	1	...
3	16.069CE	" dummy " (L.H.)	...	...	...	1	...

**FRONT BRAKE CONTROL**

4	18 599	Lever assembly, front brake (1" H/bar)	...	1	1	1	1	1
5	18 556	" " " " (3/8" H/bar)	...	1	1	1	1	1
6	18 535	Lever only	...	1	1	1	1	1
7	18 528	" " " " " " " "	...	1	1	1	1	1
8	18 500	Bracket, lever fulcrum	...	1	1	1	1	1
9	18 234	" " " " " " " "	...	1	1	1	1	1
10	18 598	Clamp, " bracket	...	1	1	1	1	1
11	12/040	" " " " " " " "	...	1	1	1	1	1
12	61/004	Screw, " " to clamp	...	2	2	2	2	2
13	11/014	" " " " " " " "	...	1	1	1	2	1
14	18/087	" " fulcrum pin	...	1	1	1	1	1
15	18/053	Nut, " " " screw	...	1	1	1	1	1

**CLUTCH CONTROL**

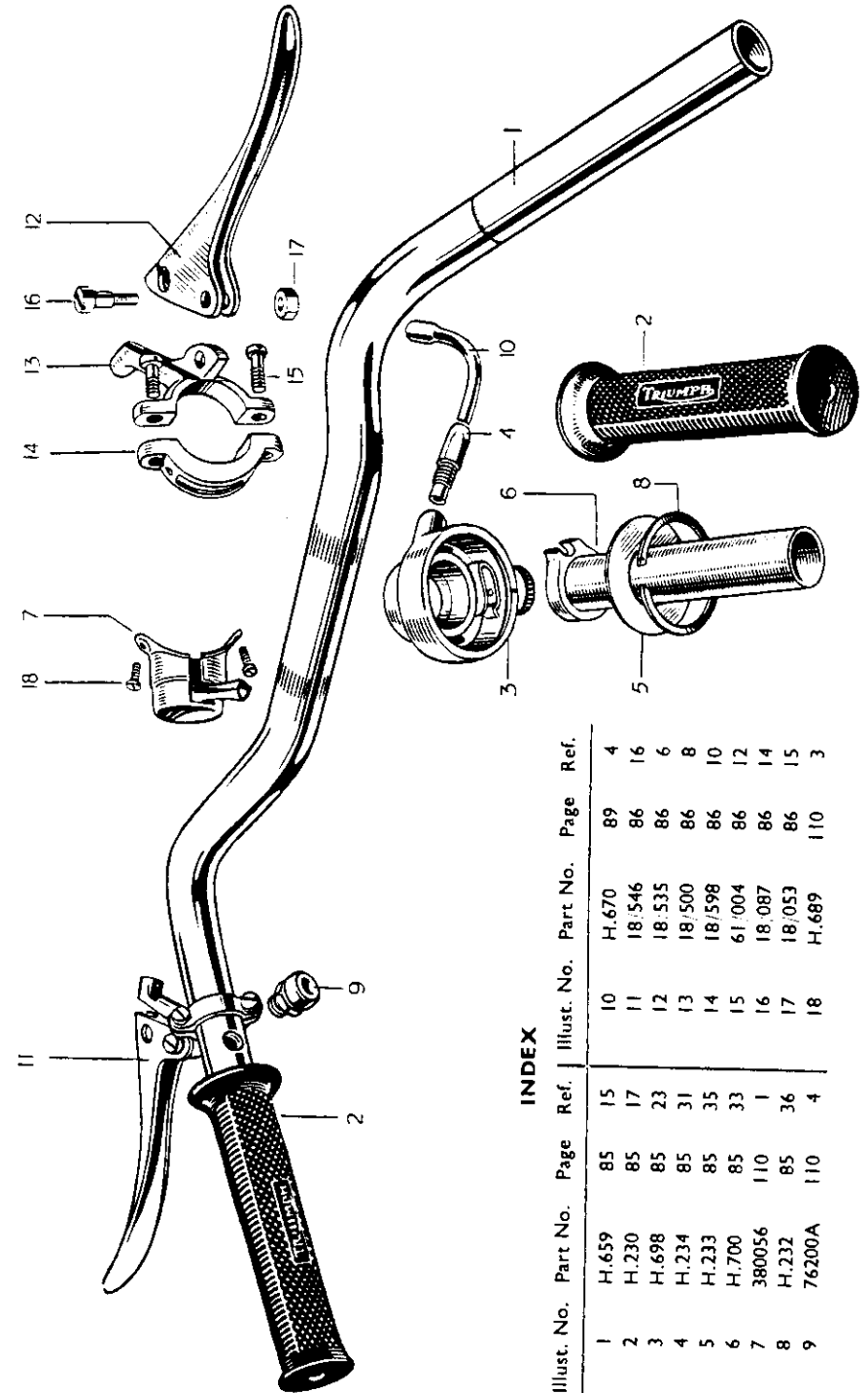
16	18 546	Lever assembly, front brake	...	1	1	1	1	1
17	18 577	" " " " (3/8" H/bar)	...	1	1	1	1	1
18	18 528	Lever only	...	1	1	1	1	1
19	18 535	" " " " " " " "	...	1	1	1	1	1
20	18/174	Bracket, lever fulcrum	...	1	1	1	1	1
21	18/234	" " " " " " " "	...	1	1	1	1	1
22	12/044	Clamp, " bracket	...	1	1	1	1	1
23	12/040	" " " " " " " "	...	1	1	1	1	1
24	11/014	Screw, " " to clamp	...	2	2	2	2	2
25	18/087	" " fulcrum pin	...	1	1	1	1	1
26	18/053	Nut, " " " screw	...	1	1	1	1	1

**AIR CONTROL**

27	12/171	Lever assembly air control	...	1	1	1	1	1
28	12/161C	" " " " (chrome)	...	1	1	1	1	1
29	12/107B	Lever only	...	1	1	1	1	1
30	12/016	" " " " " " " "	...	1	1	1	1	1
31	12/029	Bolt, centre	...	1	1	1	1	1
32	12/031	Cap " " " " " " " "	...	1	1	1	1	1
33	12/033	Washer, " spring	...	1	1	1	1	1
34	11/014	Screw, clip fixing	...	2	2	2	2	2
35	12/040	Clip, fixing	...	1	1	1	1	1

ALWAYS QUOTE PART NUMBER

HANDLEBAR AND CONTROLS



INDEX

Illust. No.	Part No.	Page	Ref.	Illust. No.	Part No.	Page	Ref.
1	H.659	85	15	10	H.670	89	4
2	H.230	85	17	11	18 546	86	16
3	H.698	85	23	12	18 535	86	6
4	H.234	85	31	13	18 500	86	8
5	H.233	85	35	14	18 598	86	10
6	H.700	85	33	15	61 004	86	12
7	380056	110	1	16	18 087	86	14
8	H.232	85	36	17	18 053	86	15
9	76200A	110	4	18	H.689	110	3

REF. No.	PART No.	DESCRIPTION	3T	5T	6T	TR5	T100
<b>MAGNETO CONTROL</b>							
1	12/160	Lever assembly, magneto control	—	—	—	1	—
2	12/162	" " " "	—	—	—	—	1
3	12/014	Lever only	—	—	—	1	1
4	12/029	Bolt, centre	—	—	—	1	1
5	12/031	Cap, " "	—	—	—	1	1
6	12/033	Washer, spring	—	—	—	1	1
7	11/014	Screw, clip fixing	—	—	—	2	2
8	12/040	Clip, fixing	—	—	—	1	—
9	12/044	" " " "	—	—	—	—	1

### CONTROL CABLE GROUP

(For U.S.A. and Canadian pattern see page 89).

#### CLUTCH CABLE

10	D203X	Cable assembly, clutch	—	1	1	1	1
11	D203W	Wire only, clutch	—	1	1	1	1
12	D203C	Casing only, clutch	—	1	1	1	1
13	D103	Ferrule, clutch casing	—	2	2	2	2
14	D81	Nipple, wire (handlebar end)	—	1	1	1	1
15	D573	" " (gearbox end)	—	1	1	1	1
16	D574	Adjuster, clutch cable	—	1	1	1	1
17	W76	Locknut, " " adjuster	—	1	1	1	1

#### FRONT BRAKE CABLE

18	D247	Cable assembly, brake	—	1	1	—	1
19	D259	" " " "	—	—	—	1	—
20	D247W	Wire only, brake	—	1	1	—	1
21	D259W	Wire only, brake	—	—	—	1	—
22	D247C	Casing only, " "	—	1	1	—	1
23	D259C	" " " "	—	—	—	1	—
24	D103	Ferrule, brake casing	—	2	2	2	2
25	H751	" " " rubber	—	1	1	—	1
26	H707	Sleeve, " " " "	—	1	1	—	1
27	D81	Nipple, wire	—	1	1	1	1
28	W593	Fork end, " "	—	1	1	1	1
29	H446B	Tube, " " lower cover	—	1	1	—	1
30	H446A	" " " " " "	—	—	—	1	—
31	H447	Ferrule, cover tube	—	1	1	1	1
32	W328A	Adjuster, brake cable	—	1	1	1	1
33	W591	Abutment, " " "	—	1	1	1	1
34	W329	Thumb nut, " " adjuster	—	1	1	1	1

#### THROTTLE CABLE

35	D226	Cable assembly, throttle	—	1	—	—	—
36	D224	" " " "	—	—	1	—	1
37	D233	" " " "	—	—	—	1	—
38	D226W	Wire only, throttle	—	1	—	—	—
39	D224W	" " " "	—	—	1	—	1
40	D233W	" " " "	—	—	—	1	—

SEE SPECIMEN ORDER IN PREFACE

REF. No.	PART No.	DESCRIPTION	3T	5T	6T	TR5	T100
1	D226C	Casing only, throttle	—	—	—	—	—
2	D224C	" " " "	—	1	1	—	1
3	D233C	" " " "	—	—	—	1	—
4	H670	Guide tube, " wire	—	1	1	1	1
5	D101	Ferrule, throttle casing	—	2	3	3	3
6	D83	Nipple, " wire (handlebar end)	—	1	1	—	1
7	D232	" " " ( " " )	—	—	—	1	—
8	NS191	" " " (carburettor end)	—	1	1	1	1
9	D104	Adjuster, " casing	—	1	1	1	1

#### AIR CABLE

10	D225	Cable assembly, air	—	1	1	—	1
11	D242	" " " "	—	—	—	1	—
12	D225W	Wire only, air	—	1	1	—	1
13	D242W	" " " "	—	—	—	1	—
14	D225C	Casing only, " "	—	1	1	—	1
15	D242C	" " " "	—	—	—	1	—
16	D101	Ferrule, air casing	—	2	2	2	2
17	D83	Nipple, " wire (handlebar end)	—	1	1	1	1
18	NS191	" " " (carburettor end)	—	1	1	1	1

#### IGNITION CABLE

19	D243	*Cable assembly, ignition	—	—	—	1	—
20	D100	* " " " "	—	—	—	—	1
21	D243W	Wire only, ignition	—	—	—	—	1
22	D100W	" " " "	—	—	—	—	1
23	D243C	Casing only, " "	—	—	—	1	—
24	D100C	" " " "	—	—	—	—	1
25	D101	Ferrule, ignition casing	—	—	—	2	2
26	D83	Nipple, " wire (handlebar end)	—	—	—	1	1

\* Magneto end fitting supplied by B.T.H.

### HANDLEBAR GROUP

#### U.S.A. AND CANADIAN PATTERN

27	H786	Handlebar, complete with all controls	—	1	1	—	1
28	H787	" " bend only	—	—	—	—	1
29	D255	Cable assembly, clutch	—	1	1	—	—
30	D255W	Wire only, clutch	—	1	1	—	—
31	D255C	Casing only, clutch	—	1	1	—	—
32	D256	Cable assembly, brake	—	1	1	—	—
33	D256W	Wire only, brake	—	1	1	—	—
34	D256C	Casing only, brake	—	1	1	—	—
35	D257	Cable assembly, throttle	—	1	1	—	—
36	D257W	Wire only, throttle	—	1	1	—	—
37	D257C	Casing only, throttle	—	1	1	—	—
38	D260	Cable assembly, ignition	—	1	1	—	—
39	D260W	Wire only, ignition	—	1	1	—	—
40	D.260C	Casing only, ignition	—	1	1	—	—

Other details as standard specification

DO NOT FORGET TO SIGN YOUR ORDER

## REAR BRAKE CONTROL GROUP

REF. No.	PART No.	DESCRIPTION	3T	5T	6T	TR5	T100
1	F1153	Pedal, rear brake	1	1	1	1	1
2	F995	Rubber, " " pedal	1	1	1	1	1
3	F1149	Screw, " " " stop	1	1	1	1	1
4	F879	Nut, " " " "	1	1	1	1	1
5	F867	Spindle, " " " "	1	1	1	1	1
6	DS48	Nut, " " spindle to frame	1	1	1	1	1
7	SCZ45	Washer, " " " " "	1	1	1	1	1
8	S1-S2	Nut, " " pedal end	1	1	1	1	1
9	S25-2	Washer, " " " " (plain)	1	1	1	1	1
10	S26-16	" " " " (spring)	1	1	1	1	1
11	F1015	Rod, brake operating	1	—	—	—	—
12	F1015A	" " " " "	—	1	1	—	1
13	F1015C	" " " " (spring wheel)	1	—	—	1	—
14	F1015B	" " " " ( " " )	—	1	1	—	1
15	WF32	Pin, brake operating rod fork end	1	1	1	1	1
		$\frac{1}{16}$ " $\times$ $\frac{1}{2}$ " Split pin, fork end pin	1	1	1	1	1
16	W11	Pivot roller, brake arm to rod	1	1	1	1	1
17	NS372	Thumb nut, " rod adjusting	1	1	1	—	1
18	F2896	" " " " " "	—	—	—	1	—

## FOOTREST GROUP

19	F1731	Footrest O/S	1	1	1	1	1
20	F987	" N/S	1	1	1	1	1
21	NF704	Rubber, footrest	2	2	2	—	2
22	F1695	" " " " " "	—	—	—	2	—
23	F1736	Tube, footrest support O/S	1	1	1	—	1
24	F1092	Rod, " " " " " "	1	—	—	—	—
25	F991	" " " " " " " "	—	1	1	1	1
26	DS48	Nut, " rod	2	2	2	2	2
27	S25-8	Washer, " " O/S plain	1	1	1	1	1
28	F1081	Distance tube, chaincase to engine plate	1	—	—	—	—
29	F862	" " " " " " " "	—	1	1	—	1
30	T200	" " " " " " " "	1	—	—	—	—
31	T07	" " N/S footrest	—	1	1	1	1

### PILLION FOOTREST

32	F2312	Footrest assembly, pillion	2	2	2	2	2
33	F1694	Pedal, footrest	2	2	2	2	2
34	F1695	Rubber, " pedal	2	2	2	2	2
35	F2271	Bolt, " " " pivot	2	2	2	2	2
36	S1-S1	Nut, " " " bolt	2	2	2	2	2
37	F2277	Washer, " " " " "	2	2	2	2	2

PLEASE STATE COLOUR WHEN ORDERING

REF. No.	PART No.	DESCRIPTION	3T	5T	6T	TR5	T100
1	F2268	Hanger, footrest pedal N/S	2	2	2	2	2
2	F1696	Stud, " " " hanger	2	2	2	2	2
3	PO172A	Nut, " " " " stud	2	2	2	2	2
4	S26-1	Washer, " " " " "	2	2	2	2	2

## SADDLE GROUP

### TERRY

5	F1897	Saddle, complete	1	—	—	—	—
6	F1897A	Cover, saddle seat	1	—	—	—	—
7	F2835	Spring, saddle main	2	—	—	—	—
8	F1729K	Spring, saddle seat, 1 $\frac{1}{8}$ "	7	—	—	—	—
9	F1729I	Spring, saddle seat, 6 $\frac{3}{8}$ "	2	—	—	—	—
10	F1729H	Spring, saddle seat, 7"	2	—	—	—	—
11	F1729M	Spring, saddle seat, 7 $\frac{1}{2}$ "	11	—	—	—	—
12	F847	Stud, saddle spring to frame	2	—	—	—	—
13	W.76	Nut, saddle spring to frame	8	—	—	—	—
14	S25-2	Washer, saddle spring to frame	6	—	—	—	—
15	NA64J	Bolt and nut, saddle nose	1	—	—	—	—

### TERRY

16	F1729T	Saddle, complete	—	1	1	—	—
17	F1729A	Cover, saddle seat	—	1	1	—	—
18	F2835	Spring, saddle main	—	2	2	—	—
19	F1729K	Spring, saddle seat, 1 $\frac{1}{8}$ "	—	7	7	—	—
20	F1729H	Spring, saddle seat, 7"	—	2	2	—	—
21	F1729G	Spring, saddle seat, 7 $\frac{1}{2}$ "	—	2	2	—	—
22	F1729F	Spring, saddle seat, 7 $\frac{3}{4}$ "	—	9	9	—	—
23	F847	Stud, saddle spring to frame	—	2	2	—	—
24	W76	Nut, saddle spring to frame	—	8	8	—	—
25	S25-2	Washer, " " " " "	—	6	6	—	—
26	NA64J	Bolt and nut, saddle nose	—	1	1	—	—

### LYCETT

27	F1729T	Saddle, complete	—	1	1	—	—
28	F1729B	Cover, saddle seat	—	1	1	—	—
29	F2835	Spring, saddle main	—	2	2	—	—
30	F1729N	Spring, saddle seat, 2 $\frac{1}{2}$ "	—	7	7	—	—
31	F1729P	Spring, saddle seat, 7 $\frac{1}{2}$ "	—	4	4	—	—
32	F1729Q	Spring, saddle seat, 7 $\frac{1}{2}$ "	—	11	11	—	—
33	F847	Stud, saddle spring to frame	—	2	2	—	—
34	W.76	Nut, " " " " "	—	8	8	—	—
35	S25-2	Washer, " " " " "	—	6	6	—	—
36	NA64J	Bolt and nut, saddle nose	—	1	1	—	—

ALWAYS QUOTE PART NUMBER

REF. No. PART No. DESCRIPTION 3T 5T 6T TR5 T100

**LYCETT**

1	F2992	Saddle, complete	—	—	—	1	—
2	F2992A	Cover, saddle seat	—	—	—	1	—
3	F2992B	Spring, saddle main	—	—	—	2	—
4	F2992C	Elastic, saddle seat, 11½"	—	—	—	2	—
5	F2992D	Elastic, saddle seat, 13½"	—	—	—	3	—
6	F2990	Bracket, saddle to seat lug	—	—	—	1	—
7	F3065	Distance tube, bracket	—	—	—	1	—
8	E2593	Bolt, bracket upper	—	—	—	1	—
9	S1-S1	Nut, bracket upper bolt	—	—	—	1	—
10	E2287	Washer, bracket upper bolt	—	—	—	1	—
11	F929	Bolt, bracket lower	—	—	—	1	—
12	E2287	Washer, bracket lower bolt	—	—	—	1	—
13	F3032	Extension piece, saddle plain	—	—	—	1	—
	F3031	Extension piece, saddle tapped	—	—	—	1	—
14	F1369	Bolt, extension to saddle	—	—	—	4	—
15	F879	Nut, extension to saddle bolt	—	—	—	4	—
16	F2720	Stud, saddle spring to frame...	—	—	—	2	—
17	W76	Nut, saddle spring to frame	—	—	—	6	—
18	W630	Nut, saddle spring to frame (under spring)	—	—	—	2	—
19	S25-2	Washer, saddle spring to frame	—	—	—	6	—

**PILLION SEAT GROUP**

20	NF761	Pillion seat complete	—	1	1	1	—
21	S23-42	Bolt, pillion seat fixing	—	4	4	4	—
22	S4-9	Nut, " " bolt	—	4	4	4	—
23	S25-1	Washer, " " "	—	4	4	4	—

**PROP STAND GROUP**

24	F2611	Prop Stand, complete	—	1	—	—	—
25	F3095	Prop Stand, complete	—	—	1	—	1
26	F3094	Prop Stand, complete	—	—	—	1	—
27	F2913	Leg, prop stand	—	1	—	—	—
28	F2607	Pin, swivel	—	1	—	—	—
29	F3097	Pin, swivel	—	—	1	1	1
30	F2610	Spring, tension	—	1	1	1	1
31	F2603	Bolt, lug clamp	—	2	—	—	—

ALWAYS QUOTE PART NUMBER

**SIDECAR ATTACHMENTS GROUP**

REF. No. PART No. DESCRIPTION 3T 5T 6T TR5 T100

1	F2587	Lug, bottom front connection	—	—	1	1	—	1
2	F1746	Nut, " " " sleeve	—	—	2	2	—	2
3	F2600	Bolt, " " " " "	—	—	1	1	—	1
4	F1747	Nut, " " " bolt	—	—	1	1	—	1
5	F2601	Lug, rear connection	—	—	1	1	—	1
6	F1743	Stud, " " " " "	—	—	2	2	—	2
7	S1-S1	Nut, " " stud	—	—	2	2	—	2
8	KF365	Washer, " " " " "	—	—	2	2	—	2

4th point connections and saddle tube eye bolts are obtainable from sidecar manufacturers.

**REAR CARRIER GROUP**

9	F2278 CTE	Carrier, complete with fittings	—	—	1	1	—	1
10	F2856	Bridge, carrier	—	—	2	2	—	2
11	F2857	Plate, " backing	—	—	2	2	—	2
12	DS57	Bolt, " " " " "	—	—	8	8	—	8
13	E1612	Washer, " " " " "	—	—	8	8	—	8

**TWINSEAT GROUP**

14	F3153	Twinseat, complete with all attachments	—	—	1	1	—	1
15	F3122	Bracket, centre	—	—	1	1	—	1
16	F879	Nut, " bracket	—	—	2	2	—	2
17	E1612	Washer, " " " " "	—	—	2	2	—	2
18	F1760	Bolt, " " to seat lug...	—	—	2	2	—	2
19	W76	Nut, " " " " "	—	—	2	2	—	2
20	S25-2	Washer, " " " " "	—	—	2	2	—	2
21	E2593	Bolt, nose bracket	—	—	1	1	—	1
22	S1-S1	Nut, " " " " "	—	—	1	1	—	1
23	E2287	Washer, " " " " "	—	—	1	1	—	1
24	DS58	Bolt, rear " to mudguard	—	—	2	2	—	2
25	S1-S1	Nut, " " " " "	—	—	2	2	—	2
26	S25-3	Washer, " " " " (plain)	—	—	4	4	—	4
27	E2287	Washer, " " " " (serrated)	—	—	2	2	—	2

DO NOT FORGET TO SIGN YOUR ORDER

## TOOLBOX GROUP

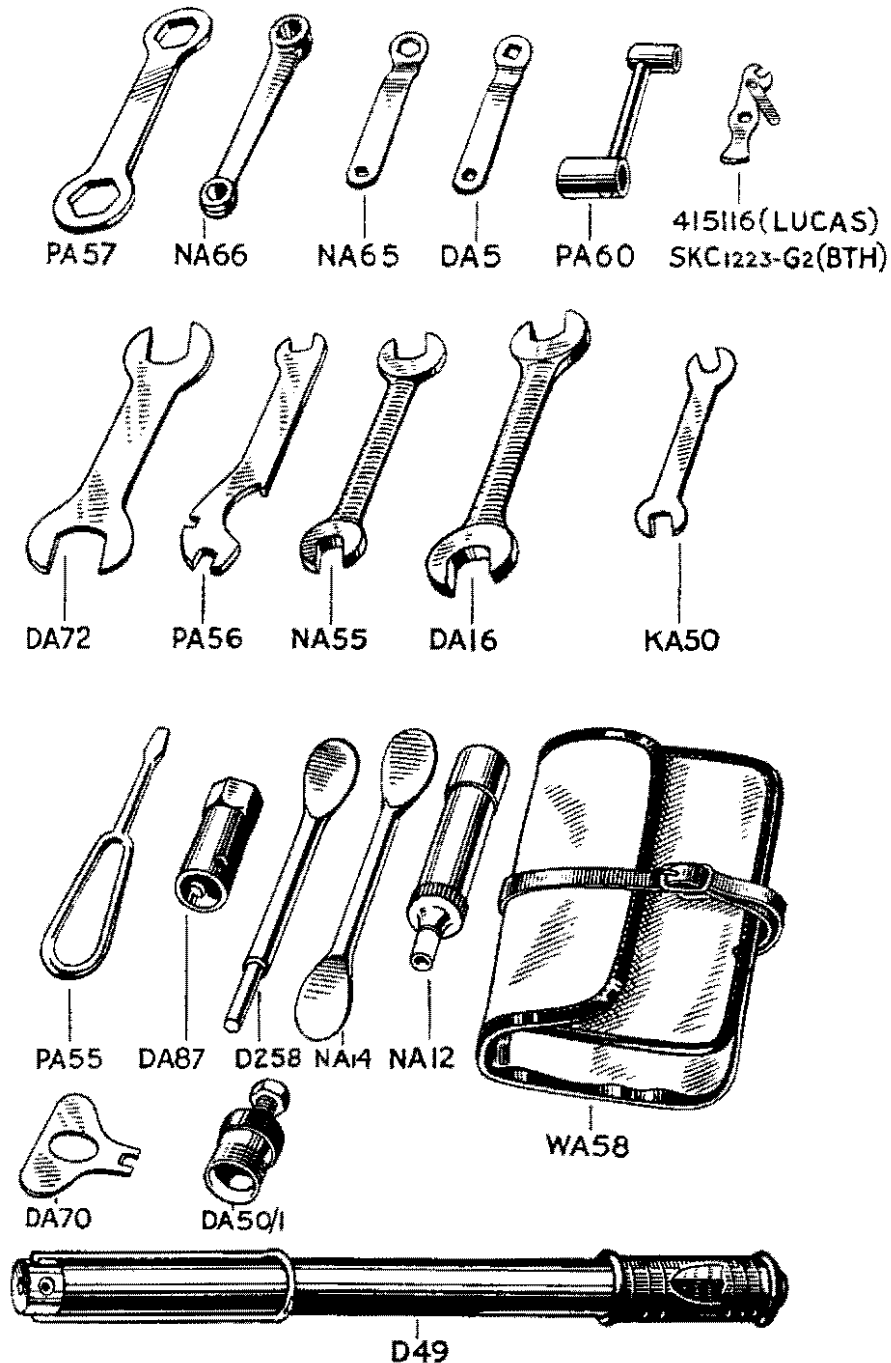
REF. No.	PART No.	DESCRIPTION	3T	5T	6T	TR5	T100
1	F1692A	Toolbox, complete with fastener ...	1	1	1	1	1
1	F3224 7	Fastener assembly ...	1	1	1	1	1
2	F1700	Clip, toolbox to backstay ...	2	1	1	2	1
3	DS57	Bolt, " " " clip ...	2	1	1	2	1
4	F879	Nut, " " " " ...	2	1	1	2	1
5	S26-2	Washer, " " " " ...	2	1	1	2	1
6	F1699	Clip, " " bottom tube ...	1	1	1	1	1
7	DS57	Bolt, " " " " clip ...	1	1	1	1	1
8	F879	Nut, " " " " " ...	1	1	1	1	1
9	S26-2	Washer, " " " " " ...	1	1	1	1	1
10	F3024	Clip, " " backstay (lower) ...	1	1	1	1	1
11	DS57	Bolt, " " " " clip ...	1	1	1	1	1
12	F879	Nut, " " " " " ...	1	1	1	1	1
13	S26-2	Washer, " " " " " ...	1	1	1	1	1
14	S1-51	Nut, " " " " bolt ...	1	1	1	1	1
15	S26-3	Washer, " " " " " ...	1	1	1	1	1

## TOOLKIT GROUP

16	D209	Toolkit, complete ...	1	1	1	1	1
17	DA71	" " " " " ...	1	1	1	1	1
18	DA72	Spanner, open $\frac{1}{2}$ " x $\frac{3}{8}$ " Whit. ...	1	1	1	1	1
19	KA50	" " Spec. x $\frac{1}{2}$ " " ...	1	1	1	1	1
20	NA55	" " $\frac{1}{2}$ " x $\frac{3}{8}$ " " ...	1	1	1	1	1
21	DA16	" " $\frac{3}{8}$ " x $\frac{3}{8}$ " " ...	1	1	1	1	1
22	DA5	" closed .218" x .338" square ...	1	1	1	1	1
23	NA65	" " .218" x $\frac{3}{8}$ " Whit. ...	1	1	1	1	1
24	NA66	" " $\frac{3}{8}$ " x $\frac{3}{8}$ " " ...	1	1	1	1	1
25	PA57	" " $\frac{1}{2}$ " x $\frac{3}{8}$ " " ...	1	1	1	1	1
26	PA56	" combination ...	1	1	1	1	1
27	PA60	" box $\frac{1}{2}$ " x $\frac{3}{8}$ " Whit. ...	1	1	1	1	1
28	D87	" sparking plug ...	1	1	1	1	1
29	D258	Tommy, bar, " " " spanner ...	1	1	1	1	1
30	SKC1223-G2	Spanner, magneto contact (B.T.H.) ...	1	1	1	1	1
31	415116	" " " (Lucas) ...	1	1	1	1	1
32	DA70	Key, clutch adjusting ...	1	1	1	1	1
33	DA50/1	Extractor, clutch centre ...	1	1	1	1	1
34	NA12	Gun, grease ...	1	1	1	1	1
35	NA14A	Lever, tyre ...	1	1	1	1	1
36	PA55	Screwdriver ...	1	1	1	1	1
37	WA58	Roll, canvas tool ...	1	1	1	1	1
38	D49	Inflator, tyre ...	1	1	1	1	1
39	D220	Spanner, fork cap nut (not included in toolkit) ...	1	1	1	1	1
40	167	Extractor, chain rivet (not included in toolkit) ...	1	1	1	1	1

ALL GOODS SENT TO WORKS MUST BE CARRIAGE PAID

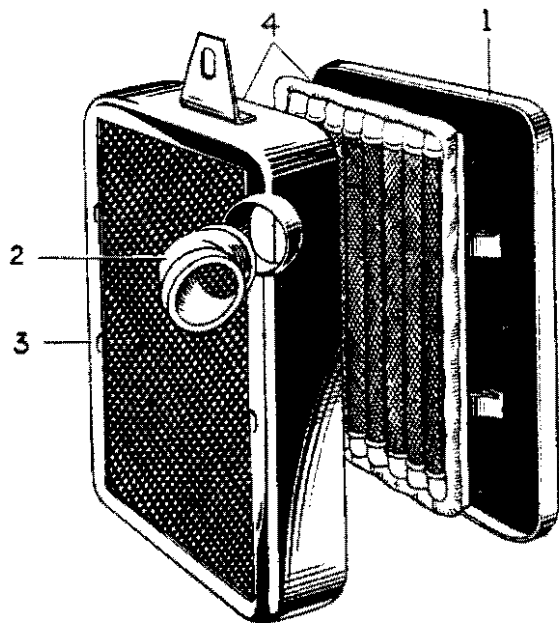
## TOOLKIT





## AIR FILTER GROUP

REF. No.	PART No.	DESCRIPTION	3T	5T	6T	TR5	T100
1	F3222	Air filter assembly	1	1	1	—	1
2	F3195	" " " "	—	—	—	1	—
3	F3223	Element, filter cover end	1	1	1	1	1
4	F2874	Sleeve, carburetter to filter	1	—	—	—	—
5	F2875	" " " "	—	1	1	1	1
6	F2872	Connection, sleeve to filter (rubber)	1	1	1	1	1
7	F1668	Stud, filter to frame	—	—	—	1	—
8	S1-51	Nut, filter to frame	—	—	—	1	—



AIR FILTER

### INDEX

Illust. No.	Part No.	Page	Ref.	Illust. No.	Part No.	Page	Ref.
1	F3223	96	3	3	F2874	96	4
					F2875	96	5
2	F2872	96	6	4	F3222	96	1
					F3195	96	2

FOR IDENTIFICATION OF PARTS SEE PAGE 6

## SPEEDOMETER GROUP

REF. No.	PART No.	DESCRIPTION	3T	5T	6T	TR5	T100
1	S467 91/L	Speedometer head 120 M.P.H.	1	—	—	—	—
2	S467 99 L	" " "	—	1	—	—	1
3	S467 107 L	" " "	—	—	1	—	—
4	S491 3	" " "	—	—	—	1	—
5	S467 95/L	" " 180 K.P.H.	1	—	—	—	—
6	S467 23/L	" " "	—	1	—	—	1
7	S467 47 L	" " "	—	—	1	—	—
8	S491/7	" " "	—	—	—	1	—
9	DS40	Bracket, speedometer head	—	—	—	1	—
10	DS57	Bolt, bracket	—	—	—	2	—
11	S26-2	Washer, ..	—	—	—	2	—
12	P53279/1	Bulb holder c/w bulb	1	1	1	1	1
13	P52305	Bulb only	1	1	1	1	1
14	P22469	Rubber ring, speedometer head	1	1	1	—	1
15	25578/2	Clamp-bar	1	1	1	—	1
16	N1253	Nut, clamp-bar	2	2	2	—	2
17	D246	Cable, speedometer drive (42½" long)	1	—	—	—	—
18	D245	" " " (44" ..)	—	1	1	—	1
19	D245A	" " " (44" ..)	—	—	—	1	—

### SPEEDOMETER DRIVE AT GEARBOX

20	T924	Pinion, standard ratio layshaft 10T	1	1	1	—	1
21	T973	" wide " " 8T	—	—	—	1	—
22	T925	Peg, pinion to layshaft	1	1	1	1	1
23	T934	Gear, standard ratio driven 16T	1	1	1	—	1
24	T975	" wide " " 15T	—	—	—	1	—
25	T825	Washer, gear thrust	1	1	1	1	1
26	T933	Bush, gear	1	1	1	1	1
27	T948	Oil seal gear	1	1	1	1	1

## SPARKING PLUG GROUP

28	L105	Plug, sparking (Champion)	2	—	—	—	—
29	F70	" " (K.L.G.)	2	—	—	—	—
30	H14	" " (Lodge)	2	2	2	—	—
31	L115	" " (Champion)	—	2	2	—	—
32	F80	" " (K.L.G.)	—	2	2	—	—
33	H L N	" " (Lodge)	—	—	—	2	2
34	NA10	" " (Champion)	—	—	—	2	2
35	FE80	" " (K.L.G.)	—	—	—	2	2
36	D262	Cover, .. plug Terminal	2	2	2	2	2

APPLY TO ACCESSORY MANUFACTURERS FOR SERVICE UNITS

## CARBURETTER GROUP

REF. No.	PART No.	DESCRIPTION	3T	5T	6T	TR5	T100
1	275BK IA M	Carburetter assembly	1	—	—	—	—
2	276FE IAT M	" "	—	1	—	—	—
3	276FG IAT M	" "	—	—	1	—	—
4	276FF IAT M	" "	—	—	—	1	—
5	276FH IAT M	" "	—	—	—	—	1
6	275 412R	Chamber, mixing	1	—	—	—	—
7	276 433R	" "	—	1	—	—	—
8	276 434R	" "	—	—	1	—	—
9	276 432R	" "	—	—	—	1	1
10	4 032B	Top, mixing chamber	1	—	—	—	—
11	6 423	" " "	—	1	1	—	1
12	6 403	" " "	—	—	—	—	—
13	4/031	Cap, " "	1	—	—	—	—
14	6/031	" " "	—	1	1	1	1
15	4 235	Spring, " " cap	1	—	—	—	—
16	4 276	" " " "	—	1	1	1	1
17	4 241	Screw, " " " spring	1	1	1	1	1
18	5/045	Valve, air	1	—	—	—	—
19	6/045	" " " "	—	1	1	1	1
20	4/046	Spring, " valve	1	1	1	1	1
21	5/047	Guide, " "	1	—	—	—	—
22	6/047	" " "	—	1	1	1	1
23	5/052	Valve throttle No. 5 4	1	—	—	—	—
24	6/052	" " No. 6/3 1/2	—	1	1	1	1
25	4 263	Spring, " valve	1	1	1	1	1
26	4/060	Cotter, " "	1	1	1	1	1
27	4 063	Screw, " " stop	1	1	1	1	1
28	16/010	Nut, " " "	1	1	1	1	1
29	13/129	Screw, air adjusting	1	1	1	1	1
30	4 148	Spring, " " screw	1	—	—	—	—
31	4/042	Jet, main No. 120	1	—	—	—	—
32	4 042	" " No. 140	—	1	1	—	—
33	4/042	" " No. 150	—	—	—	1	1
34	205/058R	Block jet	1	—	—	—	—
35	206/057R	" "	—	1	—	—	—
36	206/059R	" "	—	—	1	—	—
37	206/058R	" "	—	—	—	1	1
38	4/062	Nut mixing chamber union	1	—	—	—	—
39	6/062	" " " "	—	1	1	1	1
40	4/040	Washer Jet Block	1	—	—	—	—
41	6/040	" " " "	—	1	1	1	1
42	4/061	Jet, needle No. 107	1	1	1	1	1
43	5/065	Needle jet No. 5	1	—	—	—	—
44	6/065	" " No. 6	—	1	1	1	1
45	4 230	Clip " needle	1	1	1	1	1
46	4/043	Bolt, holding	1	1	1	1	1

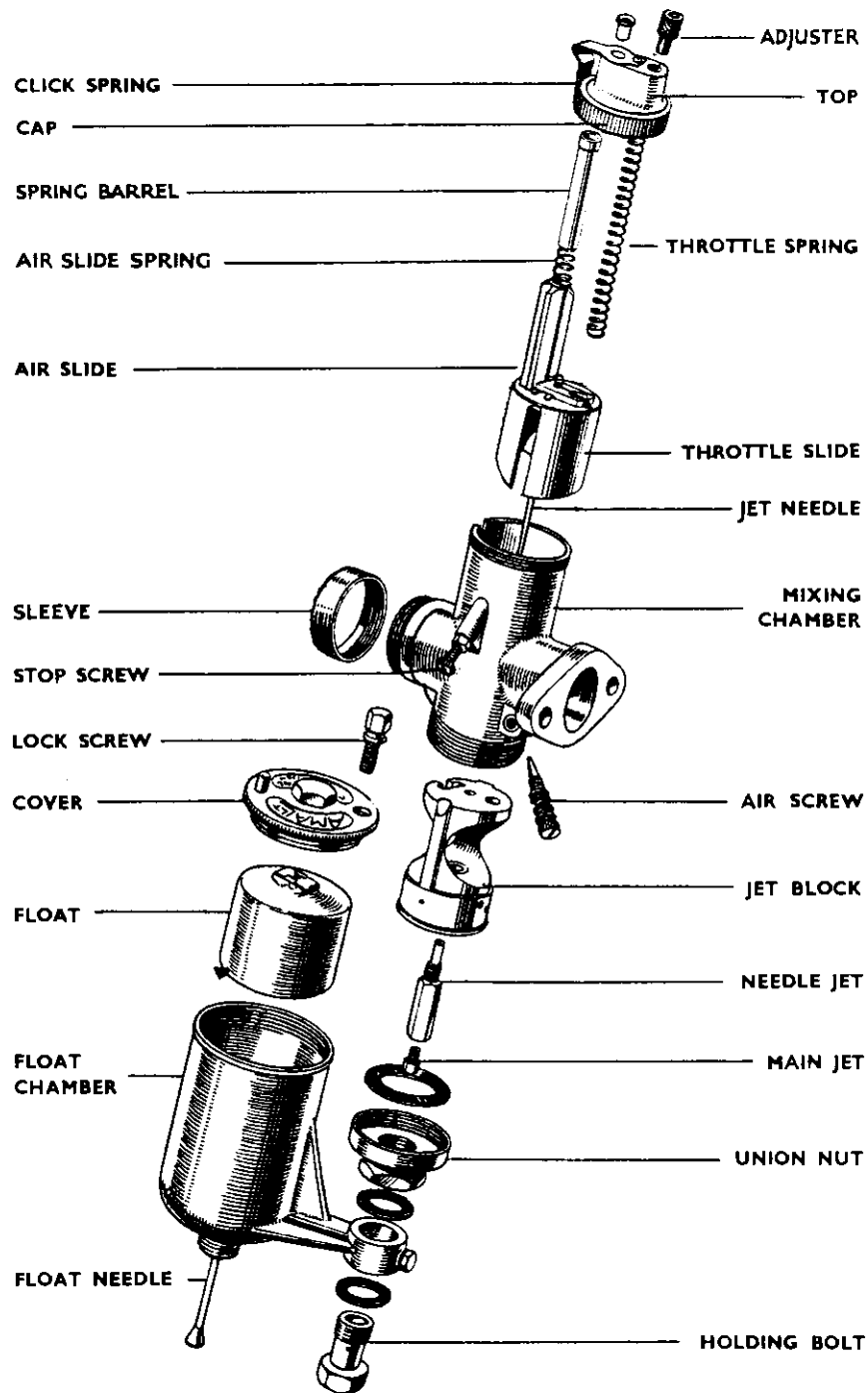
APPLY TO ACCESSORY MANUFACTURERS FOR SERVICE UNITS

REF. No.	PART No.	DESCRIPTION	3T	5T	6T	TR5	T100
1	4 053	Washer, holding bolt	2	2	2	2	2
2	4 035	Adjuster cable	2	1	1	—	—
3	6 132A	Ferrule cable	—	1	1	2	1
4	IA M	Chamber, float (complete)	1	—	—	—	—
5	IAT M	" " ( " )	—	1	1	1	1
6	64 156M	Body, " chamber	1	—	—	—	—
7	64 192M	" " "	—	1	1	1	1
8	14 208	Cover, " "	1	1	1	1	1
9	14 021	Lockscrew, float cover	1	1	1	1	1
10	14 015	Float	1	1	1	1	1
11	14 024	Needle, valve	1	1	1	1	1
12	14 209	Tickler	1	1	1	1	1
13	14 210	Stop, tickler	1	1	1	1	1
14	14 032	Spring, " "	1	1	1	1	1
15	14 289	Cotter, " "	1	1	1	1	1
16	64 353	Screw, platform plug	1	1	1	1	1
17	23 110	Washer, " " screw	1	1	1	1	1
18	14 178	Locknut, seating	1	1	1	1	1
19	14 175	Washer, " "	1	1	1	1	1
20	NA48	" carburetter flange...	1	—	—	—	—
21	NA43	" " " "	—	1	—	—	—
22	NA43A	" " " "	—	—	1	1	1

Every machine leaving the Works is fitted with an air filter. To obtain the maximum performance, the rubber connection between the filter and air intake should be removed and the carburetter re-adjusted as follows :—

3T	...	Lower Jet Needle one notch
5T	...	" " " " "
TR5	...	" " " " "
6T	...	Increase Jet size to 190
T100	...	" " " " 160

SEE SPECIMEN ORDER IN PREFACE

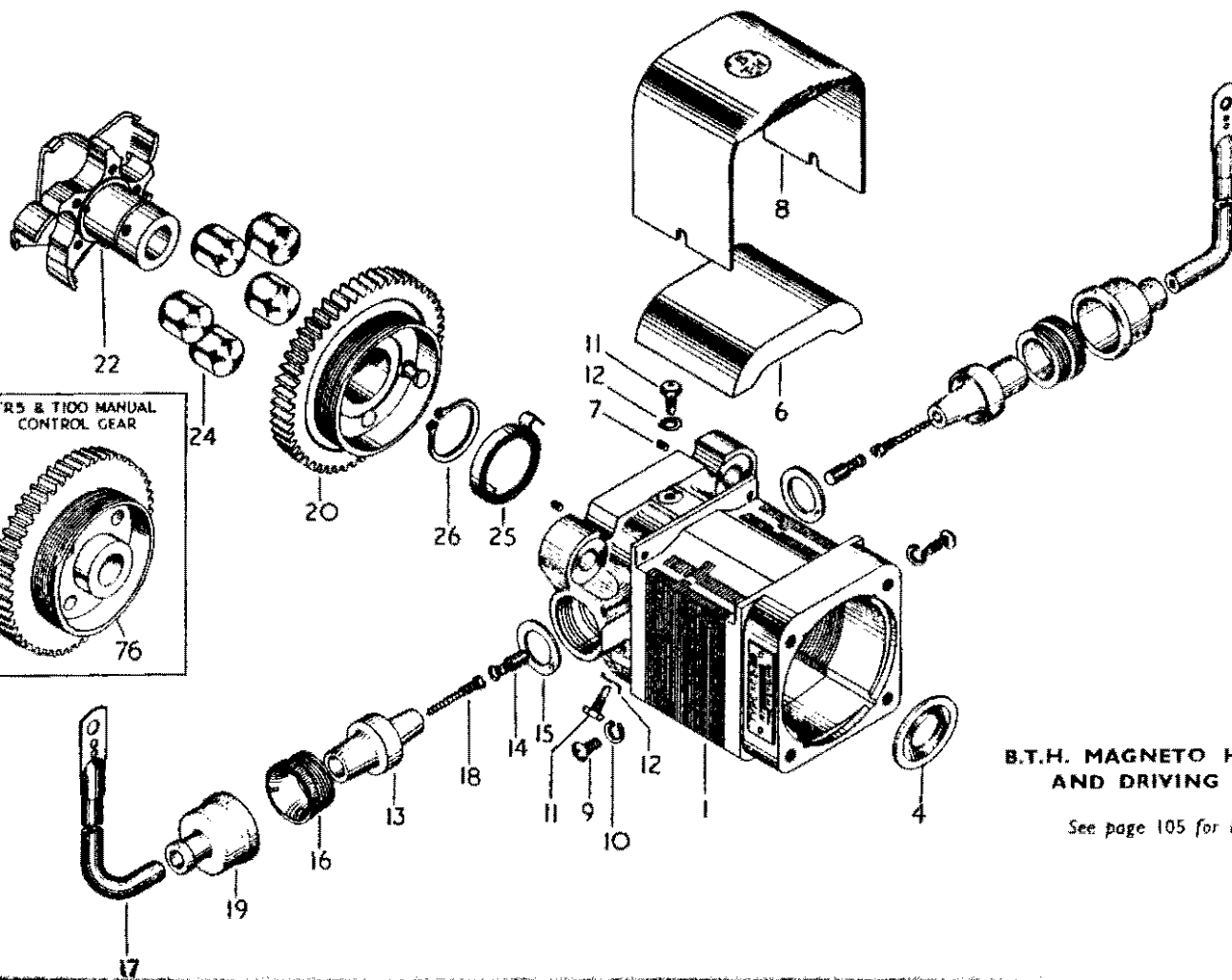


AMAL CARBURETTOR COMPONENTS

## MAGNETO (B.T.H.) GROUP

REF. No.	PART No.	DESCRIPTION	3T	5T	6T	TR5	T100
1	DI52	Magneto, less auto advance ...	1	1	1	—	—
2	DI52/AC9	.. Manual control ...	—	—	—	1	1
3	SKC10917-4	Housing, magneto main ...	1	1	1	1	1
4	SKC741-G1	Ball race ...	2	2	2	2	2
5	SKC6123-1	Insulation washer, ball race ...	2	2	2	2	2
6	CR22186-1	Shim, bearing adjusting .002" and .003"	1	1	1	1	1
7	CZ108979	Seal, oil retaining ...	1	1	1	1	1
8	CR32042-1	Magnet ...	1	1	1	1	1
9	SKC6245-1	Screw, magnet locating ...	2	2	2	2	2
10	SKC2429-1	Cover, magnet ...	1	1	1	1	1
11	3BA 3/8"	Screw, magnet cover (roundhead) ...	2	2	2	2	2
12	SKC9952-8	Washer, magneto cover fixing ...	2	2	2	2	2
13	CR23290-1	Screw, safety spark gap ...	2	2	2	2	2
14	SKC6799-1	Locking tab, spark gap screw ...	2	2	2	2	2
15	SKC87159-G1	Holder, collector brush ...	2	2	2	—	—
16	SKC87159-G2	" " " " " " " " " " " "	—	—	—	2	2
17	SKC6306-G2	Brush and spring collector ...	2	2	2	2	2
18	CR87404-1	Washer, collector brush holder sealing ...	2	2	2	2	2
19	CR87160-1	Nut, " " " " ring ...	2	2	2	2	2
20	CZ60707-G19	Cable H.T. ...	2	2	2	2	2
21	SKC6397-1	Screw H.T. cable securing ...	2	2	2	2	2
22	E2415	Clip, H.T. cable to carburettor manifold ...	1	1	1	1	1
23	CR87403-1	Ferrule, H.T. cable waterproof ...	2	2	2	2	2
24	CY50495-G1	Armature c/w condenser and end plate ...	1	1	1	1	1
25	SKC6115-1	Screw, armature spindle to core ...	4	4	4	4	4
26	SKC6111-1	Dowel, " " " " " " " " " " " "	2	2	2	2	2
27	SKC6114-1	Screw, " " " " " " " " " " " "	4	4	4	4	4
28	SKC6112-1	Dowel, " " " " " " " " " " " "	1	1	1	1	1
29	CY52078-G2	Condenser ...	1	1	1	1	1
30	SKC6636-1	Insulator, condenser (large) ...	2	2	2	2	2
31	SKC6637-1	Insulation, " (small) ...	2	2	2	2	2
32	CR20776-1	" " " " Bush ...	1	1	1	1	1
33	4BAx 3/8" ch. hd.	Screw, " " " " " " " " " " " "	2	2	2	2	2
34	SKC9953-6	Washer, " " " " " " " " " " " "	2	2	2	2	2
35	SKC6612-G1	Slip ring ...	1	1	1	1	1
36	SKC6122-1	Washer, slip ring plain ...	1	1	1	1	1
37	SKC6180-1	" " " " " " " " " " " "	1	1	1	1	1
38	CR20774-1	Ring, reinforcing ...	1	1	1	1	1
39	CX1883-G24	Contact breaker L.H. complete ...	1	1	1	1	1
40	SKC74955-G2	Base and check spring assembly c/breaker ...	1	1	1	1	1
41	CZ63472-G2	Lever contact and springs ...	1	1	1	1	1
42	SKC6215-1	Spring, contact breaker re-inforcing ...	2	2	2	2	2
43	SKC6208-1	Screw, " " " " " " " " " " " "	2	2	2	2	2
44	CR29708-1	Wick, " " " " " " " " " " " "	1	1	1	1	1
45	SKC29303-G1	Contact adjustable screw ...	1	1	1	1	1

WHEN IN DOUBT SEND SAMPLE

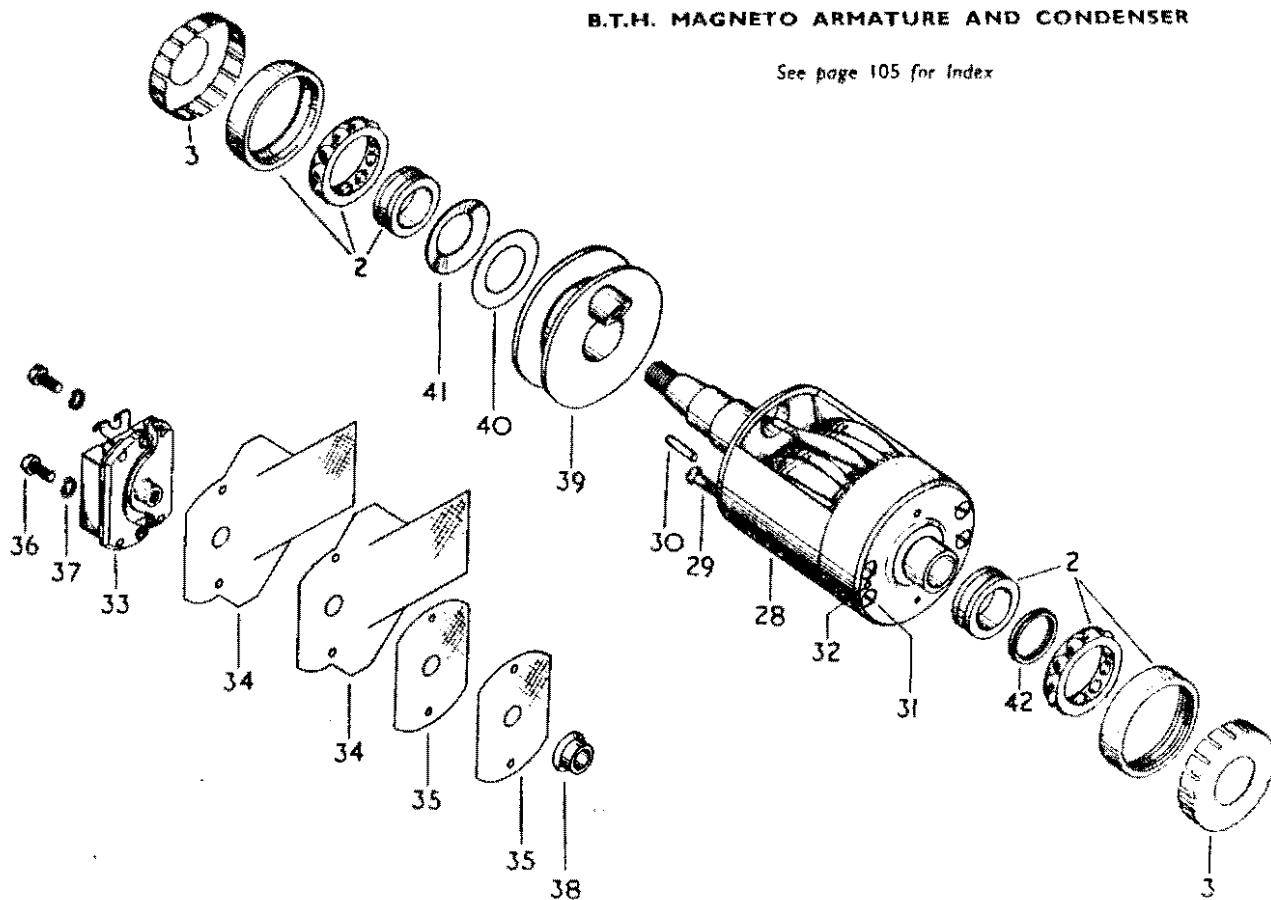


**B.T.H. MAGNETO HOUSING AND DRIVING GEAR**

*See page 105 for Index*

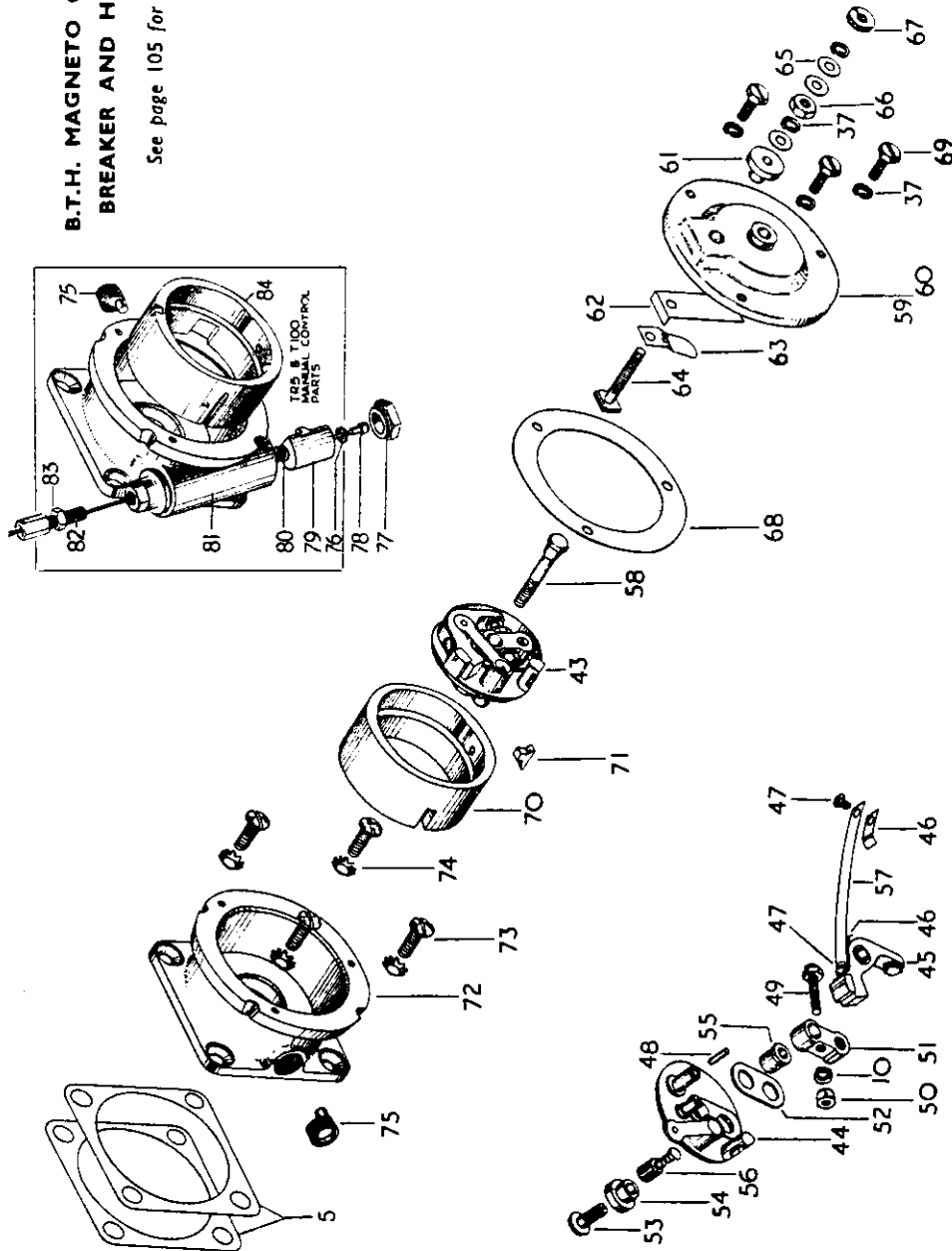
**B.T.H. MAGNETO ARMATURE AND CONDENSER**

*See page 105 for Index*



**B.T.H. MAGNETO CONTACT  
BREAKER AND HOUSING**

See page 105 for Index



**INDEX**

**INDEX TO ILLUSTRATIONS ON PAGES 102, 103 AND 104**

Illust. No.	Part No.	Page	Ref.	Illust. No.	Part No.	Page	Ref.
1	SKC. 10917-4	101	3	45	CZ. 63472-G2	101	41
2	SKC. 741-G1	101	4	46	SKC. 6215-1	101	42
3	SKC. 6123-1	101	5	47	SKC. 6208-1	101	43
4	CZ. 108979	101	7	48	CR. 29708-1	101	44
5	CR. 22186-1	101	6	49	SKC. 29303-G1	101	45
6	CR. 32042-1	101	8	50	SKC. 6216-1	106	1
7	SKC. 6245-1	101	9	51	SKC. 6235-1	106	3
8	SKC. 24291-1	101	10	52	SKC. 6213-1	106	4
9	3 BA x 1/8" rd.hd.	101	11	53	SKC. 6209-1	106	5
10	SKC. 9952-8	101	12	54	SKC. 6210-1	106	6
11	CR. 23290-1	101	13	55	SKC. 6212-1	106	7
12	SKC. 6799-1	101	14	56	SKC. 6219-G1	106	8
13	SKC. 87159-G1	101	15	57	SKC. 6214-1	106	9
14	SKC. 6306-G2	101	17	58	CR. 29487-1	106	10
15	CR. 87404-1	101	18	59	CZ. 61580-1	106	11
16	CR. 87160-1	101	19	60	SKC. 28537	106	12
17	CZ. 60707-G19	101	20	61	CR. 89533-1	106	13
18	SKC. 6397-1	101	21	62	CR. 29456-1	106	14
19	CR. 87403-1	101	23	63	CR. 29455-1	106	15
20	SKC. 35711-G2	106	43	64	CR. 29459-1	106	16
22	CZ. 108934	106	44	65	4 BA Std.	106	17
24	CR. 35706-1	106	45	66	CR. 26513	106	19
25	CR. 35707-1	106	46	67	CR. 89927-1	106	20
26	CR. 35709-1	106	47	68	CR. 28540-1	106	22
28	CY. 50495-G1	101	24	69	CR. 28571-1	106	23
29	SKC. 6115-1	101	25	70	SKC. 33650	106	25
30	SKC. 6111-1	101	26		CY.52765-2	106	26
31	SKC. 6114-1	101	27	71	SKC. 6344-1	106	31
32	SKC. 6112-1	101	28	72	SKC. 28544-G3	106	27
33	CY.52078-G2	101	29		SKC.28544-G1	106	28
34	SKC. 6636-1	101	30	73	2 BA x 3/4" hd.	106	29
35	SKC. 6637-1	101	31	74	SKC. 88939-20	106	30
36	4 BA x 1/8" ch.hd.	101	33	75	CR. 26381-1	106	32
37	SKC. 9953-6	101	34	76	CR.24218	106	41
38	CR. 20776-1	101	32	77	CR.32419-1	106	36
39	SKC. 6612-G1	101	35	78	CR.24219	106	40
40	SKC. 6122-1	101	36	79	SKC.24217	106	33
41	SKC. 6180-1	101	37	80	CR.24263	106	34
42	CR. 20774-1	101	38	81	SKC.28544-G1	106	28
43	CX. 1883-G24	101	39	82	CR.8978-1	106	37
44	SKC. 74955-G2	101	40	83	CR.8979-1	106	38
				84	CY.57265-2	106	26

Illust. No. 81 should read SKC 28544-G2

FOR IDENTIFICATION OF PARTS SEE PAGE 6

REF. No.	PART No.	DESCRIPTION	3T	5T	6T	TR5	T100
1	SKC6216-1	Nut, adjustable screw contact					
2	SKC9952-8	Washer, " " "					
3	SKC6235-1	Block, contact screw locating					
4	SKC6213-1	Strip, insulating block					
5	SKC6209-1	Screw Block securing					
6	SKC6210-1	Bush, screw insulating					
7	SKC6212-1	Bush, block centre					
8	SKC6219-G1	Brush and spring contact breaker earthing					
9	SKC6214-1	Spring, contact breaker main					
10	CR29487-1	Screw, contact breaker securing					
11	CZ61580-1	Cover complete, contact breaker					
12	SKC28537	Cover only, contact breaker					
13	CR89533-1	Bush, contact breaker, cover insulating					
14	CR29456-1	Strip, " " " "					
15	CR29455-1	Strip, " " " " contact					
16	CR29459-1	Terminal, contact breaker cover contact					
17	4BA Strd.	Washer, " " terminal, plain	3	3	3	3	3
18	SKC9952-6	Washer, " " " spring	2	2	2	2	2
19	CR26513	Nut, " " " lock					
20	CR89927-1	Nut, " " " knurled					
21	SKC88939-6	Washer, " " " nut					
22	CR28540-1	Washer, " " cover sealing					
23	CR28571-1	Screw, " " " securing	3	3	3	3	3
24	KC9952-6	Washer contact breaker cover screw	3	3	3	3	3
25	SKC33650	Cam, ring					
26	CYS2765-2	Cam, " " " " " "					
27	SKC28544-G3	Housing, cam ring					
28	SKC28544-G1	Housing, " " " " " "					
29	2BAx $\frac{1}{2}$ "inst.hd.	Screw, cam ring housing	4	4	4	4	4
30	SKC88939-20	Washer, " " " lock	4	4	4	4	4
31	SKC6344-1	Wick, cam ring lubricating					
32	CR26381-1	Screw, timing stop					
33	SKC24217	Rod, timing					
34	CR24263	Spring, control					
35	CR24450-1	Ferrule, rubber					
36	CR32419-1	Screw for bage					
37	CR8978-1	Stop, Bowden cable					
38	CR8979-1	Nut, stop locking					
39	CR32997-1	Clip with screw					
40	CR24219-1	Nipple, bowden control					
41	CR24218-1	Washer, " " nipple					
<b>AUTOMATIC TIMING DEVICE</b>							
42	E1992	Gear, c/w A T D					
43	SKC35711-G2	Gear, only					
44	CZ108934	Hub, assembly					
45	CR35706-1	Roller	5	5	5		
46	CR35707-1	Spring, main					
47	CR35709-1	Circclip, nut securing					
48	CR35705-1	Nut, A T D to magneto					

GEAR WHEEL FOR MANUAL IGNITION SEE PAGE 35

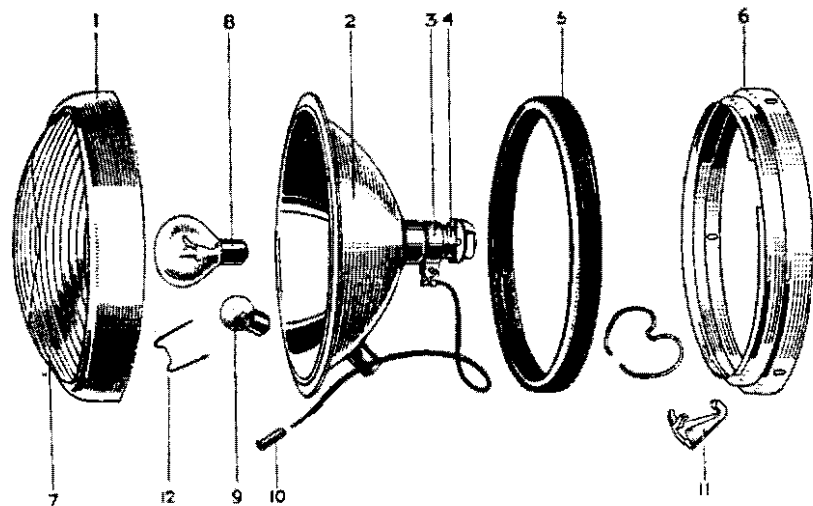
## LUCAS ELECTRICAL EQUIPMENT GROUP

REF. No.	PART No.	DESCRIPTION	3T	5T	6T	TR5	T100
<b>DYNAMO (TYPE E3L-L1-O)</b>							
1	20009 B.	Dynamo complete					
2	200712	Armature					
3	200738	Brush gear					
4	200713	Bracket, commutation end					
5	189210	Bearing, commutator end					
6	200718	Cover, " " "					
7	200761	Plate, drive and oil seal end					
8	200760	Bracket, " " " "					
9	189307	Bearing, " " " "					
10	200731	Coil, field					
11	200609	Band assembly, cover					
12	188818	Nipple, cable fixing	2	2	2	2	2
13	200212	Plate, " clamp					
14	115850	Screw, " " plate					
15	200732	Bolt, through fixing	2	2	2	2	2
16	165078	Nut, " " bolt	2	2	2	2	2
17	188330	Washer, " " " "	2	2	2	2	2
18	200737	Brush set					
19	220197	Spring set, brush					
20	189386	Key, woodruff					
21	E2451	Pinion, dynamo					
22	111700	Screw, " pinion					
23	188378	Washer, " " "					
24	E2228	Nut (dome) " to gear case					
25	E2414	Stud, dynamo fixing					
26	E2226	Washer, " to crankcase joint					
27	E2230	Strap, " fixing					
28	460025	Swivel, " strap	2	2	2	2	2
29	112450	Screw, " " " "	2	2	2	2	2
<b>CUT-OUT AND REGULATOR UNIT MCR2-L</b>							
30	37097B	Regulator, complete					
31	391454	Cover, cut out					
32	391453	Clip, cover spring					
33	D557	Bolt unit rear stays	2	2	2	2	2
34	F879	Nut, for D557	2	2	2	2	2
35	E1612	Washer for F879	2	2	2	2	2
<b>HEADLAMP</b>							
36	50777B	Headlamp Assembly					
37	50791A	" " " " " "					
38	51629B	Ring, lamp fixing					
39	H689	Screw, fixing ring to nacelle	3	3	3		3
40	H690	Nut, " " " " "	3	3	3		3

APPLY TO LUCAS SERVICE DEPOTS FOR REPLACEMENT UNITS

REF. No.	PART No.	DESCRIPTION	3T	5T	6T	TR5	T100
1	509487	Rim, lamp	1	1	1	1	1
2	550875	Glass, "	1	1	1	1	1
3	553147	Reflector assembly	1	1	1	1	1
4	553065	Bead, rubber joint	1	1	1	1	1
5	500291	Wire, glass fixing	4	4	4	4	4
6	509936	Catch assembly, rim	1	1	1	1	1
7	504801	Holder, main bulb c/w clip and screw	1	1	1	1	1
8	551807	Clip and screw, bulb holder	1	1	1	1	1
9	552258	Screw, bulb holder clip	1	1	1	1	1
10	500181	Interior, pilot bulb	1	1	1	1	1
11	809793	Plug and socket	—	—	—	1	—
12	364455	Ammeter	—	—	—	1	—
13	351551	Switch	—	—	—	1	—
14	308312	Panel, instrument	—	—	—	1	—
15	516183	Beading, " panel	—	—	—	1	—
16	523429	Screw, " "	—	—	—	4	—
17	188818	Nipple, cable fixing	4	4	4	4	4
18	200	Bulb, pilot 3w.	1	1	1	1	1
19	169	" main 30-30w.	1	1	1	1	1

**NACELLE TYPE HEADLAMP**



Illust. No.	Part No.	Page	Ref.	Illust. No.	Part No.	Page	Ref.
1	509487	108	1	7	550875	108	2
2	553147	108	3	8	169	108	19
3	551807	108	8	9	200	108	18
4	504801	108	7	10	188818	108	17
5	553065	108	4	11	509936	108	6
6	516298	107	38	12	500291	108	5

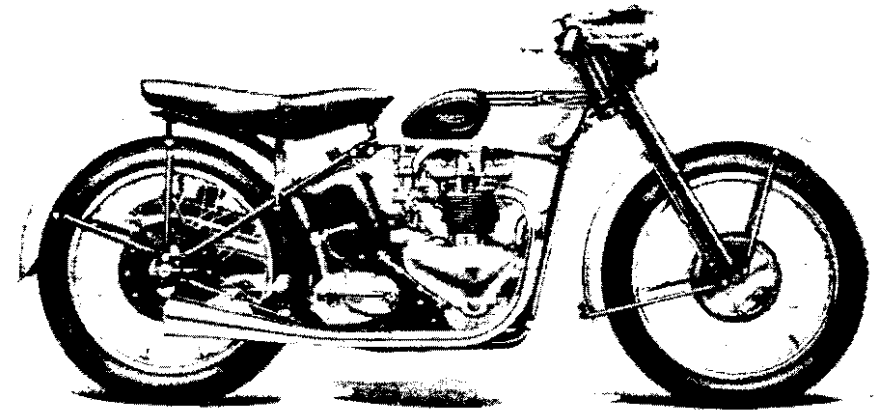
FOR IDENTIFICATION OF PARTS SEE PAGE 6

REF. No.	PART No.	DESCRIPTION	3T	5T	6T	TR5	T100
<b>TAIL LAMP</b>							
1	53216A	Lamp, tail	1	1	1	1	1
2	526320	Base assembly less bulb	1	1	1	1	1
3	526310	Body, assembly with glass	1	1	1	1	1
4	526302	Cover, rubber	1	1	1	1	1
5	200	Bulb, 3w.	1	1	1	1	1
6	130264	Screw, tail lamp	3	3	3	3	3
7	166074	Nut, " " screw	3	3	3	3	3
<b>TAIL LAMP (STOP LIGHT PATTERN)</b>							
8	53182	Stop and tail lamp combined	1	1	1	1	1
9	526293	Base assembly less bulb	1	1	1	1	1
10	526310	Body assembly with glass	1	1	1	1	1
11	526302	Cover, rubber	1	1	1	1	1
12	352	Bulb 3-18w.	1	1	1	1	1
13	130264	Screw, tail lamp	3	3	3	3	3
14	166074	Nut, " " "	3	3	3	3	3
15	315725	Switch, tail lamp stop	1	1	1	1	1
16	F3157	Bracket, " " " switch	1	1	1	1	1
17	H687	Screw, " " " "	2	2	2	2	2
18	GS299	Washer, " " " "	2	2	2	2	2
19	H745	Nut, " " " "	2	2	2	2	2
20	F3158	Spring switch to brake rod	1	1	1	1	1
21	T988	Clip, Spring " " " "	1	1	1	1	1
22	H687	Screw, clip " " " "	1	1	1	1	1
23	GS299	Washer, " " " "	1	1	1	1	1
24	H745	Nut, " " " "	1	1	1	1	1
<b>CABLE HARNESS</b>							
25	993291F	Harness, cable H bar and tail lamp	1	1	1	—	1
26	859954	" " H bar and Stop Lamp	1	1	1	—	1
27	993928	" " headlamp to socket	1	1	1	—	1
28	993922	" " to dipper	1	1	1	—	1
29	994511	" " assembly	—	—	—	1	—
30	990521	" " dyno to regulator	—	—	—	1	—
31	858022	" " horn and cut-out button	—	—	—	1	—
<b>NACELLE INSTRUMENT PANEL</b>							
32	351584A	Switch, lighting	1	1	1	—	1
33	351567	Lever and Screw, switch	1	1	1	—	1
34	36129A	Ammeter	1	1	1	—	1
35	31071A	Button, cut-out	1	1	1	—	1

SEE SPECIMEN ORDER IN PREFACE

REF. No.	PART No.	DESCRIPTION	3T	5T	6T	TR5	T100
<b>HANDLEBAR SWITCHES AND PUSH BUTTONS</b>							
1	380056	Switch, dimmer	1	1	1	—	1
2	31221A	" " " "	—	—	—	1	—
3	H689	Screw, switch to lever clamp	2	2	2	—	2
4	76200A	Button, horn push	1	1	1	—	1
5	76204A	" " " and cut-out	—	—	—	2	—
<b>HORN</b>							
6	70048D	Horn complete	1	1	1	1	1
7	701851	Bracket, horn	4	4	4	—	4
8	F3035	" " (Saddle stud fitting)	—	—	—	1	—
9	700920	" " (Angle)	1	1	1	—	1
10	142689	Screw, " bracket	2	2	2	—	2
11	105051	Washer, " "	2	2	2	—	2
<b>BATTERY</b>							
12	PUW 7E 4	Battery 6 volt (dry)	1	1	1	1	1
13	52263 4	Plug, vent c w washer	3	3	3	3	3
<b>MAGNETO</b>							
14	42111D	Magneto c w auto advance	1	1	1	—	—
15	458333	Armature assembly	1	1	1	—	—
16	455361	Slip ring	1	1	1	—	—
17	189291	Bearing (C.B.E. and D.E.)	2	2	2	—	—
18	458339	Condenser assembly	1	1	1	—	—
19	458619	Cover, contact breaker	1	1	1	—	—
20	470534	Contact breaker assembly	1	1	1	—	—
21	122160	Screw, contact breaker fixing	1	1	1	—	—
22	470609	Contact breaker set	1	1	1	—	—
23	470688	Spring set	1	1	1	—	—
24	470537	Brush and spring, C.B. earth	1	1	1	—	—
25	458613	Spring pillar, C.B. cover securing	1	1	1	—	—
26	100020	Screw, C.B. end plate fixing	1	1	1	—	—
27	185307	Washer, " " "	1	1	1	—	—
28	458355	Washer, " " " shim	1	1	1	—	—
29	458356	Washer, " " " "	1	1	1	—	—
30	458389	Cam assembly	1	1	1	—	—
31	458633	End plate assembly	1	1	1	—	—
32	465129	Cup, bearing, insulating	2	2	2	—	—
33	455191	Brush, spring and holder (magneto earth)	1	1	1	—	—
34	455190	Brush and spring	1	1	1	—	—
35	458370	Spring pin, pick up fixing	2	2	2	—	—
36	458375	Seal, rubber oil	1	1	1	—	—
37	458644	Pick up with brush and spring (L.H.)	1	1	1	—	—
38	458643	" " " (R.H.)	1	1	1	—	—
39	451260	Brush and spring, pick up	2	2	2	—	—
40	47502A	Auto advance unit	1	1	1	—	—
41	498157	Spring, auto advance	2	2	2	—	—
42	415116	Spanner and point gauge	1	1	1	—	—
43	E2415	Clip, H.T. lead	1	1	1	—	—

APPLY TO LUCAS SERVICE DEPOTS FOR REPLACEMENT PARTS



## TIGER 100 RACING CONVERSION KIT

If purchased complete this Kit is supplied in a Container. When ordering the Kit, or Parts from it, owners of 1951 Tiger 100 Models must quote Engine and Frame Numbers.

### TECHNICAL INFORMATION

#### IGNITION FULLY ADVANCED

Low Octane Fuel	42
50 50 Petrol-Benzole	42
Alcohol	38

#### VALVE TIMING

Inlet Opens BTC	43
Inlet Closes ABC	57
Exhaust Opens BBC	60
Exhaust Closes ATC	40

#### BASIC CARBURETTER SETTINGS

Low Octane Fuel	Slide	6 4
	Needle Jet	109
	Main Jet	200
50 50 Petrol-Benzole	Slide	6 4
	Needle Jet	109
	Main Jet	220
Alcohol	Slide	6 4
	Needle Jet	113
	Main Jet	660
	Jet Block Pilot	.031"

#### COMPRESSION RATIOS

Low Octane Fuel	8.25
50 50 Petrol-Benzole	9.5
Alcohol	12.0

B.H.P. at R.P.M. (Low Octane) 42 at 7000

Weight—dry 330 lbs.



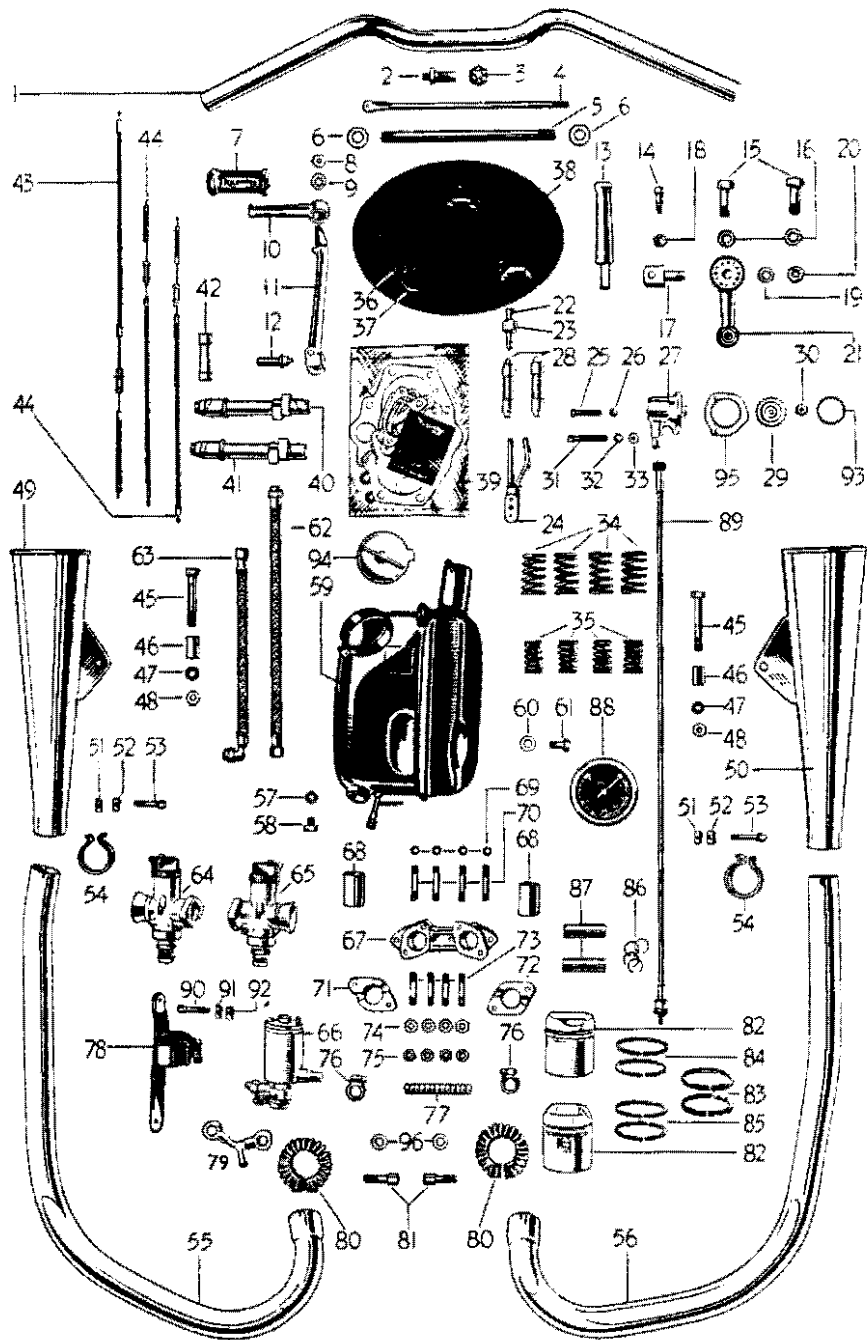


REF. No.	PART No.	DESCRIPTION	QUANTITY
<b>RACING FRONT NUMBER PLATE</b>			
1	F3192	Plate front number	1
2	H766	Bracket, .. plate	3
3	H687	Screw, .. " "	3
<b>HANDLEBAR</b>			
4	H763	Handlebar	1
<b>FOLDING KICKSTARTER</b>			
5	T29 30	Kickstarter assembly, folding	1
6	T29	Lever, kickstarter	1
7	T30	Pedal, ..	1
8	F1814	Rubber, ..	1
9	T111	Nut, .. Pedal to lever	1
10	T112	Washer, .. " "	1
11	S52-1	Cotter pin, lever to shaft	1
<b>OIL TANK</b>			
12	F3196	Oil tank complete	1
13	F1792	Plug oil tank drain	1
14	PT104B	Washer, drain plug	1
15	F1034	Cap, oil tank hinged filler 3/8" dia. x 1" split pin	1
16	E2963	Pipes, engine feed and scavenge assembly	1
17	F3189	Pipe, oil scavenge top half	1
18	F3182	Nut, .. " " pipe	1
19	MF119A	Connection, oil pipe rubber	2
<b>PETROL FEED PIPES</b>			
20	F2693	Pipe, petrol feed N:S	1
21	F2692	" " " O:S	1
22	F2688	" mixing chambers connecting	1
23	F2879	" connecting pipe to float chamber	1
24	D177-2	Clip, .. " " " pipe	2
<b>THROTTLE CABLE</b>			
25	D216	Cable assembly, throttle	1
26	D218	" handlebar to junction box	1
27	D219	" junction box to carburetter	2
28	D101	Ferrule, at twist grip and junction box	10
29	6'132	" carburetter end	2
30	D104	Adjuster, cable	3
31	D83	Nipple, twist grip end	1
32	NS191	" junction box and carburetter	5
33	244'104	Junction box, dual cable	1

ALWAYS QUOTE ENGINE NUMBER AND PREFIX

REF. No.	PART No.	DESCRIPTION	QUANTITY
<b>CARBURETTERS</b>			
1	76 AO	Mixing chamber, Assembly N S	1
2	76 AN	" " " O S	1
3	76 414	" " only N S	1
4	76 415	" " " O S	1
5	6 058	Block jet O S	1
6	6 058LH	" " N S	1
7	6 403	Top, mixing chamber	2
8	6 032B	Cap, ..	2
9	4 235	Spring mixing chamber cap	2
10	4 241	Screw, .. " " spring	2
		Screw, air blanking	2
11	6 052	Valve, throttle 6 4	2
12	4 263	Spring, .. valve	2
13	4 060	Split pin throttle ..	2
14	6 065	Needle, jet	2
15	4 230	Clip, needle	2
16	4 061	Jet, needle 109	2
17	4 042	Jet, main 180	2
18	6 062	Union nut, mixing chamber	2
19	6 040	Washer, union nut	2
20	4 043	Bolt, float chamber holding	2
21	4 053	Washer, holding bolt	4
22	13 129	Screw, pilot air adjusting	2
23	4 148	Spring " " "	2
24	4 063	Screw, throttle stop	2
25	16 010	Locknut, .. " "	2
26	6 038	Tube, air intake	2
27	14 538	Float chamber assembly (remote)	1
28	14 217R	Body, float chamber	1
29	14 138	Cover, .. " "	1
30	14 021	Screw, .. " lock	1
31	14 031	Tickler, .. " "	1
32	14 032	Spring, tickler	1
33	14 033	Pin, .. split	1
34	14 189	Washer, ..	1
35	14 245	Needle, float	1
36	14 304	Float	1
37	14 279	Spring, float bow	1
38	193 084	Pin, float securing cotter	1
39	14 253	Seating, needle valve	1
40	14 252	Washer, .. " seating	1
41	14 250	Banjo, 90°	1
42	14 275	Washer, banjo	2

ALWAYS QUOTE PART NUMBER



T100 RACING KIT

INDEX TO ILLUSTRATION ON PAGE 116

Illust. No.	Part No.	Page	Ref.	Illust. No.	Part No.	Page	Ref.
1	H.763	114	4	49	E.2735	112	31
2	F.2648	113	40	50	E.2734	112	30
3	W.743	113	41	51	TE.164C	112	34
4	F.1015E	113	39	52	TE.164D	112	35
5	F.3166	113	37	53	TE.164E	112	33
6	F.3193	113	38	54	E.2271	112	32
7	F.1814	114	8	55	E.2976	112	24
8	T.111	114	9	56	E.2974	112	23
9	T.112	114	10	57	PT.104B	114	14
10	T.30	114	7	58	F.1792	114	13
11	T.29	114	6	59	F.3196	114	12
12	S.52-1	114	11	60	S.26-3	84	39
13	F.3163	113	28	61	F.1213	84	30
14	F.3162	113	30	62	F.2692	114	21
15	F.2645	113	33	63	F.2693	114	20
16	SC.Z45	113	36	64	76 AN	115	2
17	F.3161	113	29	65	76 AO	115	1
18	S.1-51	113	31	66	14/538	115	27
19	PCW.73A	113	32	67	E.3006	112	16
20	F.880	113	35	68	E.3009	112	17
21	F.3160	113	33	69	E.2728	112	15
22	F.3189	114	17	70	E.3004	112	14
23	F.3182	114	18	71	E.3008	112	20
24	E.2963	114	16	72	E.3007	112	19
25	E.2995	113	8	73	E.2674	112	18
26	H.430	113	26	74	S.25-3	112	22
27	E.3022	113	3	75	S.1-51	112	21
28	MF.119A	114	19	76	D.177-2	114	24
29	E.2994	113	5	77	F.2879	114	23
30	GS.297	113	6	78	F.2639	118	1
31	E.2996	113	9	79	F.2688	114	22
32	E.1612	113	11	80	E.1270	112	27
33	E.2997	113	10	81	E.409	112	28
34	E.3002	112	13	82	E.2489	112	3
35	E.3001	112	12	83	GE.29	112	7
36	H.687	114	3	84	E.656	112	5
37	H.766	114	2	85	E.3048	112	6
38	F.3192	114	1	86	WE.479	112	9
39	GST.100/51	113	12	87	WE.203E	112	8
40	E.2477N	112	10	88	RC.186	113	1
41	E.2478N	112	11	89	5209.5	113	2
42	244.104	114	33	90	TE.164E	118	4
43	D.218	114	26	91	TE.164D	118	6
44	D.219	114	27	92	TE.164C	118	5
45	F.3191	112	36	93	E.3050	113	4
46	F.3190	112	38	94	F.1034	114	15
47	S.26-1	112	39	95	E.3010	113	25
48	PO.172A	112	37				

FOR IDENTIFICATION OF PARTS SEE PAGE 6

REF. NO. PART No. DESCRIPTION QUANTITY

REF. NO.	PART No.	DESCRIPTION	QUANTITY
1	F2639	FLOAT CHAMBER BRACKET	1
2	F1213	Bracket Assembly, float chamber	1
3	S26-3	Bolt, bracket to oil tank bottom	2
4	TE164E	Washer, bolt spring	1
5	TE164C	Bolt, float chamber clip	1
6	TE164D	"D" Nut, float chamber clip bolt	1
		"D" Washer, " " " "	1
		Use sandpaper packing between float chamber and bracket	

**MUDGUARD GROUP**

REF. NO.	PART No.	DESCRIPTION	QUANTITY
7	CP106	FRONT MUDGUARD	1
		Mudguard front, complete with fittings	
		For sub-assemblies refer to Front Mudguard Group, page 75	
		TR5 column.	

**REAR MUDGUARD**

REF. NO.	PART No.	DESCRIPTION	QUANTITY
8	CP107	REAR MUDGUARD	1
9	F2653	Mudguard rear, complete with fittings	1
10	F2654	Blade only	1
11	F2656	Stay, centre	1
12	H532	Stay, back	1
13	H533	Clip, stay to blade	4
14	D557	Backing strip, clip	4
15	E1612	Bolt, clip to blade	8
16	F879	Washer, for D557 Bolt	8
17	PF204	Nut, " " "	8
18	F3198	Clip, mudguard to frame lower	1
19	F444	Bracket, " " " bridge	1
20	F2659	Backing strip, clip and bracket	2
21	S25-1	Packing strip for PF204 clip	4
22	S25-1	Bolt, clip and bracket	4
23	E579	Washer, clip and bracket	4
24	S25-2	Bolt, stays to frame	2
		Washer, stays to frame	2

**GEARBOX**

For close ratio gears see page 50.

**PARTS TO CONVERT TO SUIT ALCOHOL FUEL**

REF. NO.	PART No.	DESCRIPTION	QUANTITY
1	E3046	Block, cylinder (cast iron)	1
2	C969	Piston assembly (CR. 12:1)	2
		Sub-assemblies as standard	
3	F2693	Pipe, petrol feed	2
4	14604	Float chamber assembly	2
		Needle jet .113	2
5	4042*	Main jet 660	2

\*Correct jet size to ascertain during practice runs.  
The standard jet Block can be modified by drilling out the pilot jet orifice to .031" (No. 68 Morse drill).

TREASURY NOTES MUST BE REGISTERED

**ENGINE REVOLUTIONS PER MINUTE**

GEAR RATIO	4.4	4.57	4.78	5.0	5.24	5.5	5.7	5.8	6.0	6.25	6.5	6.9	7.06	7.14	7.5	8.0	8.85	9.8	10.6	11.58	12.2	13.9	14.3	15.25	16.0	17.8	18.85	
M.P.H.	1144	1188	1244	1300	1364	1428	1480	1508	1560	1624	1688	1796	1836	1856	1948	2080	2300	2548	2756	3012	3172	3612	3720	3964	4160	4628	4900	
20	1430	1485	1555	1625	1705	1795	1850	1885	1950	2030	2110	2245	2295	2320	2435	2600	2875	3185	3445	3765	3965	4515	4650	4955	5200	5785	6125	
25	1716	1782	1866	1950	2046	2142	2220	2262	2340	2435	2532	2694	2754	2784	2922	3120	3450	3822	4134	4518	4758	5418	5655	5946	6240	6842		
30	2002	2079	2177	2275	2387	2499	2590	2639	2730	2842	2954	3143	3213	3248	3409	3640	4025	4459	4823	5271	5551	6321	6510	6937				
35	2288	2376	2488	2600	2728	2856	2960	3016	3120	3248	3376	3592	3672	3712	3896	4160	4600	5096	5512	6024	6344							
40	2574	2673	2799	2925	3069	3213	3330	3393	3510	3554	3798	4041	4131	4176	4383	4680	5175	5733	6201	6777	7137							
45	2860	2970	3110	3250	3410	3570	3700	3770	3900	4060	4220	4490	4590	4640	4870	5200	5750	6370	6890									
50	3146	3267	3421	3575	3751	3927	4070	4147	4290	4466	4642	4939	5049	5104	5357	5720	6325	7007										
55	3432	3564	3732	3900	4092	4284	4440	4524	4680	4872	5064	5388	5508	5568	5844	6240	6900											
60	4004	4158	4354	4550	4774	4998	5180	5278	5460	5684	5908	6286	6426	6496	6331	6760												
70	4576	4752	4976	5200	5456	5712	5920	6032	6240	6496	6752	7184	7344	7424														
80	5148	5346	5598	5850	6138	6426	6660	6786	7020	7308																		
90	5720	5940	6220	6500	6820	7140	7400	7540																				
100	6292	6534	6842	7150	7502	7854																						

NOTE.—Engine R-P-M are calculated in conjunction with 3.50 x 19 Rear tyre equipment—780 R-P-Mile—and will deviate slightly from above figures for models not so equipped.  
4.00 x 18 Rear Tyre 785 R-P-Mile. 3.25 x 19 Rear Tyre 793 R-P-Mile. 4.00 x 19 Rear Tyre 756 R-P-Mile.

**GEAR RATIOS**

GEARS	STANDARD RATIO				WIDE RATIO				CLOSE RATIO			
	Top	3rd	2nd	1st	Top	3rd	2nd	1st	Top	3rd	2nd	1st
Engine Sprocket												
17	6.46	7.7	10.94	15.8	6.46	9.22	14.30	18.85	6.46	7.06	8.42	11.00
18	6.10	7.28	10.32	14.9	6.10	8.70	13.50	17.80	6.10	6.66	7.95	10.40
19	5.80	6.9	9.8	14.15	5.80	8.25	12.80	16.85	5.80	6.32	7.54	9.84
20	5.50	6.55	9.3	13.4	5.50	7.84	12.18	16.0	5.50	6.00	7.15	9.35
21	5.24	6.24	8.85	12.8	5.24	7.46	11.58	15.25	5.24	5.72	6.81	8.90
22	5.00	5.95	8.45	12.2	5.00	7.13	11.05	14.55	5.00	5.45	6.50	8.50
23	4.78	5.69	8.09	11.69	4.78	6.82	10.60	13.90	4.78	5.23	6.23	8.12
24	4.57	5.45	7.75	11.2	4.57	6.54	10.14	13.35	4.57	5.00	5.96	7.78
25	4.40	5.24	7.45	10.75	4.40	6.26	9.73	12.80	4.40	4.80	5.73	7.46
Gearbox Reduction	1.0	1.19	1.69	2.44	1.00	1.425	2.21	2.915	1.00	1.09	1.30	1.695

# GUARANTEE

**W**E give the following guarantee with our motor cycles, motor cycle combinations and sidecars including all accessories and component parts other than tyres, saddles, chains and lighting and electrical equipment, and other than accessories and component parts supplied to the order of the Purchaser and differing from those comprised in the standard specifications supplied with our motor cycles, motor cycle combinations and sidecars, but including accessories and parts supplied by way of exchange as hereinafter provided. This guarantee is given in place of any implied conditions or warranties or any liabilities whatsoever statutory or otherwise; no guarantee except that hereinafter contained and no conditions or warranty whatsoever statutory or otherwise is given or is to be implied, nor are we to be under any liability whatsoever except under the guarantee hereinafter contained. Any statement, description, condition or representation contained in any catalogue, advertisement, leaflet or other publication shall not be construed as enlarging, varying or overriding anything herein contained. In the case of machines (a) which have been used for "hiring out" purposes or (b) any motor cycle and or sidecar used for any dirt tracks, cinder track or grass track racing or competitions (or any competition of any kind within an enclosure for which a charge is made for admission to take part in or view the competition) or (c) machines from which the trade mark, name or manufacturing number has been altered or removed or (d) any machines in which parts have been used not supplied by or approved by the motor cycle manufacturer, or (e) any machine from which the silencing system as fitted by the manufacturer has been partially or wholly removed or interfered with, no guarantee, condition or warranty of any kind statutory or otherwise is given or is to be implied nor are we to be under any liability whatsoever in respect of any such machine.

We guarantee, subject to the conditions mentioned below, that all precautions which are usual and reasonable have been taken by us to secure excellence of materials and workmanship, but this guarantee is to extend and be in force for six months only in the U.K. and ninety days overseas from date of purchase, or date of exchange in case of any accessory or part supplied by way of exchange as hereinafter provided, and damages for which we make ourselves responsible under this guarantee are limited to the free repair of or supply of a new part or accessory in exchange for the part of the motor cycle, motor cycle combination or side car or accessory which may have proved defective. We undertake, subject to the conditions mentioned below, to make good in manner aforesaid any part or accessory covered by this guarantee which has proved defective within the said period of six months. We do not undertake to replace or refix, or bear the cost of replacing or refixing any such new part or accessory in the motor cycle, motor cycle combination or sidecar. As motor cycles, motor cycle combinations and sidecars are easily liable to derangement by neglect or misuse, this guarantee does not apply to defects caused by wear and tear, misuse or neglect.

The term "misuse" shall include amongst others the following acts:—

1. The attaching of a sidecar to a motor cycle in such a manner as to cause damage or calculated to render the latter unsafe when ridden.
2. The use of a motor cycle or of a motor cycle and sidecar combined, when carrying more persons or a greater weight than that for which the machine was designed by the manufacturers.
3. The attaching of a sidecar to a motor cycle by any form of attachment not provided, supplied, or approved by the manufacturers, or to a motor-cycle which is not designed for such use.

We do not guarantee tyres, saddles, chains or lighting and electrical equipment, or any accessories or component parts supplied to the order of the Purchaser differing from those comprised in the standard specifications supplied with our motor cycles, motor cycle combinations or sidecars. As regards all such tyres, saddles, chains, lighting and electrical equipment, accessories and component parts, no guarantee, condition or warranty of any kind statutory or otherwise is given or is to be implied, and we are to be under no liability whatsoever in respect thereof.

## CONDITIONS OF GUARANTEE

If a defective part or accessory should be found in our motor cycles, motor cycle combinations or sidecars, or in any part or accessory supplied by way of exchange as before provided, it must be sent to us CARRIAGE PAID, and accompanied by an intimation from the owner that he desires to have it repaired or exchanged free of charge under our guarantee and he must also furnish us at the same time with the frame number of the machine, the date of purchase or the date when the alleged defective part or accessory was exchanged as the case may be.

Failing compliance with the above, such articles will lie here at THE RISK OF THE OWNER, and this guarantee and any implied guarantee, warranty or condition shall not be enforceable.

## REPAIRS

Any motor cycle, motor cycle combination or sidecar sent to us to be plated, enamelled or repaired will be repaired upon the following conditions, i.e. we guarantee that all precautions which are usual and reasonable have been taken by us to secure excellence of materials and workmanship, such guarantee to extend and be in force for three months only from the time such work shall have been executed, and this guarantee is in lieu and in exclusion of all conditions and warranties statutory or otherwise and all liabilities whatsoever and the damages recoverable are limited to the cost of any further work which may be necessary to amend and make good the work found to be defective.

## NOTICE

We do not appoint agents for the sale on our behalf of our motor cycles or other goods, but we assign to motor cycle Dealers areas in which we supply to such Dealers exclusively for re-sale in such areas. No such Dealer is authorised to transact any business, give any warranty, make any representation or incur any liability on our behalf. All goods are offered for sale subject to the price ruling at time of delivery. We reserve the right to modify or deviate from the published specification.

## PROPRIETARY FITTINGS

Ancillary equipment which is fitted to our motor cycles is of the highest quality and is guaranteed by the manufacturers and not by ourselves. Any repairs or claims should be made to the actual maker who will always give owners every possible assistance. The following are the addresses of the various manufacturers :—

<b>CARBURETTERS</b>	Messrs. Amal Ltd., Holford Works, Perry Barr, Birmingham. 20.
<b>CHAINS</b>	The Renold and Coventry Chain Co. Ltd., Didsbury, Manchester.
<b>ELECTRICAL EQUIPMENT</b>	Messrs. J. Lucas, Ltd., Gt. Hampton Street, Birmingham, 18.
<b>MAGNETOS</b>	Messrs. J. Lucas, Ltd., Gt. Hampton Street, Birmingham, 18.
	Messrs. British Thomson-Houston, Ltd., Alma Street, Coventry.
<b>SADDLES</b>	Messrs. Terrys Ltd., 210, Corporation Street, Birmingham.
	J. B. Brooks & Co. Ltd., Great Charles Street, Birmingham. 3.
<b>SPARKING PLUGS</b>	K.L.G. Sparking Plugs. Putney Vale, London, S.W.15.
	Messrs. Lodge Plugs Ltd., Rugby.
	Champion Sparking Plug Co. Ltd., Feltham, Middlesex.
<b>SPEEDOMETERS</b>	Messrs. Smiths Motor Accessories Ltd., Cricklewood Works, London, S.W.2.