

LED 150W Spot Moving Head



CE V \oplus IP20 LED $\text{---}0.2\text{m}$ $t_a 40^\circ\text{C}$ $t_s 150^\circ\text{C}$

User Manual

1

SAFETY INSTRUCTIONS



CAUTION

Be careful with your operations. With a dangerous voltage you can suffer a dangerous electric shock when touching wires!

This device has left the factory in perfect condition. In order to maintain this condition and to ensure a safe operation, it is absolutely necessary for the user to follow the safety instructions and warning notes written in this user manual.



IMPORTANT

Damages caused by the disregard of this user manual are not subject to warranty. The dealer will not accept liability for any resulting defects or problems.

If the device has been exposed to temperature changes due to environmental changes, do not switch it on immediately. The arising condensation could damage the device.

Leave the device switched off until it has reached room temperature.

This device falls under protection-class I. Therefore it is essential that the device be earthed.

The electric connection must carry out by qualified person.

The device shall only be used with rated voltage and frequency.

Make sure that the available voltage is not higher than stated at the end of this manual.

Make sure the power cord is never crimped or damaged by sharp edges. If this would be the case, replacement of the cable must be done by an authorized dealer.

Always disconnect from the mains, when the device is not in use or before cleaning it. Only handle the power cord by the plug. Never pull out the plug by tugging the power cord.

During initial start-up some smoke or smell or smell may arise. This is a normal process and does not necessarily mean that the device is defective, it should decrease gradually.

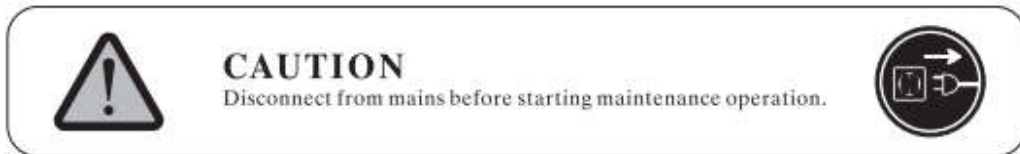
Please don't project the beam onto combustible substances.

Fixtures cannot be installed on combustible substances, keep more than 50cm distance with wall for smooth air flow, so there should be no shelter for fans and ventilation for heat radiation.

If the external flexible cable or cord of this luminaire is damaged, it shall be exclusively replaced by the manufacturer or his service agent or a similar qualified person in order to avoid a hazard.

- 1) All screws for installing the devices or parts of the device have to be tightly connected and must not be corroded.
- 2) There must not be any deformations on the housing, color lenses, fixations and installation spots (ceiling, suspension, trussing).
- 3) Mechanically moved parts must not show any traces of wearing and must not rotate with unbalances.
- 4) The electric power supply cables must not show any damage, material fatigue or sediments.

Further instructions depending on the installation spot and usage have to be adhered by a skilled installer and any safety problems have to be removed.



In order to make the lights in good condition and extend the life time, we suggest a regular cleaning to the lights.

- 1) Clean the inside and outside lens each week to avoid the weakness of the lights due to accumulation of dust.
- 2) Clean the fan each week.
- 3) A detailed electric check by approved electrical engineer each three month, make sure that the circuit contacts are in good condition, prevent the poor contact of circuit from overheating.

We recommend a frequent cleaning of the device. Please use a moist, lint-free cloth. Never use alcohol solvents.

There are no serviceable parts inside the device. Please refer to the instructions under "Installation instructions".

Should you need any spare parts, please order genuine parts from your local dealer.

2

UNPACKING

Thank you for choosing our LED 150W moving head light. For your own safety, please read this manual before installing the device. This manual covers the important information on installation and applications. Please install and operate the fixture with following instructions. Meanwhile, please keep this manual well for future needs.

The LED 150W is made of a new type of high temperature strength of engineering plastic and cast aluminum casing with nice outlook. The fixture is designed and manufactured strictly following CE standards, complying with international standard DMX512 protocol. It's available independently controlled and linkable with each other for operation. And it is applicable for large-scale live performances, theater, studio, nightclubs and discos.

The 150W Moving head light which features high brightness and stability. Please carefully unpack it when you receive the fixture and check whether it is damaged during the transportation. And please check whether the following items are included inside the box:



| | | |
|---|---------------------|-----|
| ① | Moving Head | 1PC |
| ② | Signal Cable | 1PC |
| ③ | Power Cable | 1PC |
| ④ | Omega Clamp | 1PC |
| ⑤ | User Manual | 1PC |
| | | |

3 FEATURES & SPECIFICATIONS

Features

- 150W High Output White LED
- 50,000 hours lifespan and low power consumption
- Beam Angle 6°, Outstanding sharp BEAM effect and remarkable wash effect with pure color mixing and focus Function
- High light output, 14020LUX@5M at White light
- Temperature protect function, when the internal temperature is up to 40° and then the fans begin to work, when the internal temperature is up to 70° and the brightness reduce half.
- Color Wheel: 7 colors +white, rotation with variable direction and speed
- 1 static Gobo Wheel: 8 gobos +white, wheel rotation and shake
- 1 Rotate Gobo Wheel: 6 gobos +white, wheel rotation and shake
- Prism: 8-facet Prism, bi-directionally rotatable at variable speeds
- High speed strobe effect with 1-25 flashers per second
- Internal program available
- 16/14/12/10 DMX Channels USITT DMX-512
- DMX 512, master-slave and sound activated controllable or auto operation
- Specific computer control software as optional
- Colorful LCD display
- Efficient low noise fan cooling system
- POWERCON IN/OUT
- 3-pin XLR connectors IN/OUT
- Two 1/4 turn fastening Omega Clamps
- IP 20 protection rating

Specifications

| | | | | | | |
|------|------|------|------|----------------------|---------|---|
| | | | | | 128-191 | Gobo Rotate CW slow to fast |
| | | | | | 192-255 | Gobo Rotate CCW slow to fast |
| | | | | | 0-15 | open |
| | | | | | 16-95 | Gobo Fine 0-360 |
| | | | | | 96-135 | Gobo Rotating 0-90 |
| | | | | | 136-155 | Gobo Rotating 0-180 |
| | CH9 | | CH11 | Gobo Rotation | 156-175 | Gobo Rotating 0-720 |
| | | | | | 176-215 | Gobo self-rotating CW from slow to fast |
| | | | | | 216-255 | Gobo self-rotating CCW rotating from slow to fast |
| CH8 | CH10 | CH10 | CH12 | Focus | 0-255 | Gobo hazy to clear |
| | | | | | 0-63 | Open |
| CH9 | CH11 | CH11 | CH13 | Prism | 64-255 | Prism In |
| | | | | | 0-15 | Stop |
| | | | | | 16-135 | Rotate CW slow > fast |
| CH10 | CH12 | CH12 | CH14 | Prism Rotation | 136-255 | Rotate CCW slow > fast |
| | | | | | 0-7 | No action |
| | | CH13 | CH15 | self-setting Program | 8-131 | Auto mode |
| | | | | | 132-255 | Sound mode |
| | | | | | 0-249 | No function |
| | | CH14 | CH16 | Reset | 250-253 | Reset |
| | | | | | 254-255 | No function |

10 MAINTENANCE AND CLEANING

The following points have to be considered during the inspection:

| | | | | | | |
|--|-----|--|------|-------------------------|--------------------------------------|-------|
| | | | | 21-27 | Gobo 3 | |
| | | | | 28-34 | Gobo 4 | |
| | | | | 35-41 | Gobo 5 | |
| | | | | 42-48 | Gobo 6 | |
| | | | | 49-55 | Gobo 7 | |
| | | | | 56-63 | Gobo 8 | |
| | | | | 64-70 | Gobo 8 shake speed from slow to fast | |
| | | | | 71-77 | Gobo 7 shake speed from slow to fast | |
| | | | | 78-84 | Gobo 6 shake speed from slow to fast | |
| | | | | 85-91 | Gobo 5 shake speed from slow to fast | |
| | | | | 92-98 | Gobo 4 shake speed from slow to fast | |
| | | | | 99-105 | Gobo 3 shake speed from slow to fast | |
| | | | | 106-112 | Gobo 2 shake speed from slow to fast | |
| | | | | 113-119 | Gobo 1 shake speed from slow to fast | |
| | | | | 120-127 | Open | |
| | | | | 128-191 | Gobo Rotate CW slow to fast | |
| | | | | 192-255 | Gobo Rotate CCW slow to fast | |
| | CH8 | | CH10 | 6 rotation gobos +White | 0-15 | open |
| | | | | | 16-31 | Gobo1 |
| | | | | | 32-47 | Gobo2 |
| | | | | | 48-63 | Gobo3 |
| | | | | | 64-79 | Gobo4 |
| | | | | | 80-95 | Gobo5 |
| | | | | | 96-127 | Gobo6 |

Input Voltage: AC90-260V 50/60Hz

Light Source: 150W High Output White LED

Control Signal: DMX 512, master-slave and sound activated or auto operation

Control Channel: 16/14/12/10 DMX Channels USITT DMX-512

Power Consumption: 250W

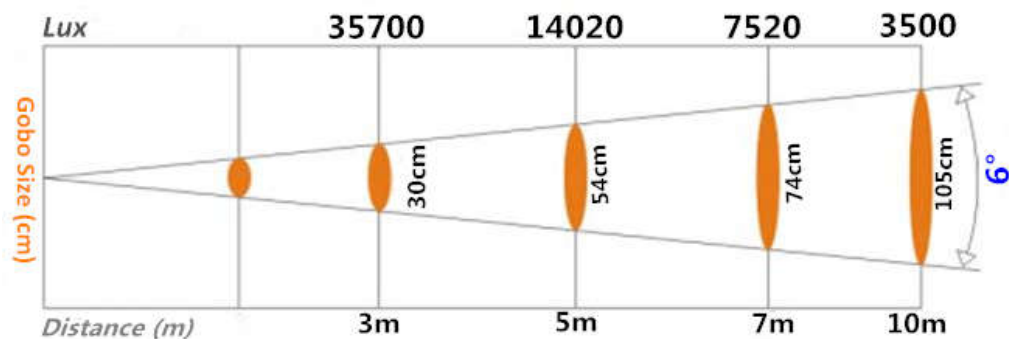
Dimensions: 270(D)*270(W)*470(H)mm

Packing Dimensions: 305(D)*305(W)*500(H)mm

Net Weight: 10.6kg, Gross Weight: 12.6kg



4 PHOTOMETRIC DATA

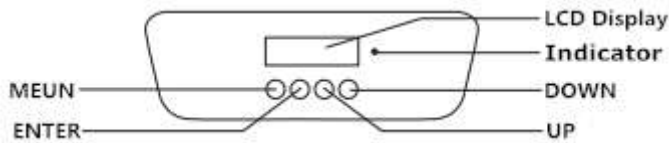


5 OPERATION INSTRUCTIONS

- The moving head is for beam effect for on-site decoration purpose.
- Don't turn on the fixture if it's been through severe temperature difference like after transportation because it might damage the light due to the environment changes. So make sure to operate the fixture until it is in normal temperature.
- This light should be keep away from strong shaking during any transportation or movement.
- Don't pull up the light by only the head, or it might cause damages to the mechanical parts.
- Don't expose the fixture in overheat, moisture or environment with too much dust when installing it. And don't lay any power cables on the floor. Or it might cause electronics shock to the people.
- Make sure the installation place is in good safety condition before installing the fixture.
- Make sure to put the safety chain and check whether the screws are screwed properly when installing the fixture.
- Make sure the lens are in good condition. It's recommended to replace the units if there are any damages or severe scratch.
- Make sure the fixture is operated by qualified personnel who know the fixture before using.
- Keep the original packages if any second shipments is needed.
- Don't try to change the fixtures without any instruction by the manufacturer or the appointed repairing agencies.

16/14/12/10/ channel mode sheet

| CH10 | CH12 | 14CH | 16CH | Function | Channel Value | Discription |
|---------|-----------------------|------|------|------------------------|---------------|--------------------------|
| CH1 | CH1 | CH1 | CH1 | Pan | 0-255 | 0-540° |
| | | CH2 | CH2 | Pan fine | 0-255 | Pan Fine |
| CH2 | CH2 | CH3 | CH3 | Tilt | 0-255 | 0-270° |
| | | CH4 | CH4 | Tilt Fine | 0-255 | Tilt Fine |
| CH3 | CH3 | CH5 | CH5 | X, Y speed | 0-255 | From fast to slow |
| CH4 | CH4 | CH6 | CH6 | LED Dimmer | 0-255 | From dark to bright |
| CH5 | CH5 | CH7 | CH7 | LED Strobe | 0-7 | Turn on |
| | | | | | 8-250 | Strobe from slow to fast |
| | | | | | 251-255 | Turn on |
| CH6 | CH6 | CH8 | CH8 | 7 color + White | 0-15 | White Light |
| | | | | | 16-31 | Color 1 |
| | | | | | 32-47 | Color 2 |
| | | | | | 48-63 | Color 3 |
| | | | | | 64-79 | Color 4 |
| | | | | | 80-95 | Color 5 |
| | | | | | 96-111 | Color 6 |
| | | | | | 112-127 | Color 7 |
| | | | | | 128-191 | CW from slow to fast |
| 192-255 | CCW from slow to fast | | | | | |
| CH7 | CH7 | CH9 | CH9 | 8 Static Gobos + White | 0-6 | Open |
| | | | | | 7-13 | Gobo 1 |
| | | | | | 14-20 | Gobo 2 |



MENU

Address Set → [Set Address Numbers]

Run Mode

- [DMX]
- [AUTO] → Auto 1- Auto2
- [SOUND]
- [MANUAL] → Manual Test → Function and Operation

Setup → [Advanced Setting]

- Pan reverse
- Tilt reverse
- Display
- Screen Reverse
- Channel (16/14/12/10CH Select)
- Sensitivity (01-100)
- Motor zero
- Reset
- Factory Set

System Information

- Ver V1
- DMX Address
- Temperature

It is not in warranty range if there are any malfunctions from not following the user manual to operate or any illegal operation, like shock short circuit, electronic shock, lamp broke, etc.

6 INSTALLATIONS

Cautions: For added protection mount the fixtures in areas outside walking paths, seating areas, or in areas where the fixture might be reached by unauthorized personnel.

Before mounting the fixture to any surface, make sure that the installation area can hold a minimum point load of 10 times the device's weight.

Fixture installation must always be secured with a secondary safety attachment, such as an appropriate safety cable.

Never stand directly below the device when mounting, removing, or servicing the fixture.

From a ceiling, or set on a flat level surface (see illustration below). Be sure this fixture is kept at least 0.5m (1.5ft) away from any flammable materials (decoration etc.).

Always use and install the supplied safety cable as a safety measure to prevent accidental damage and/or injury in the event the clamp fails.

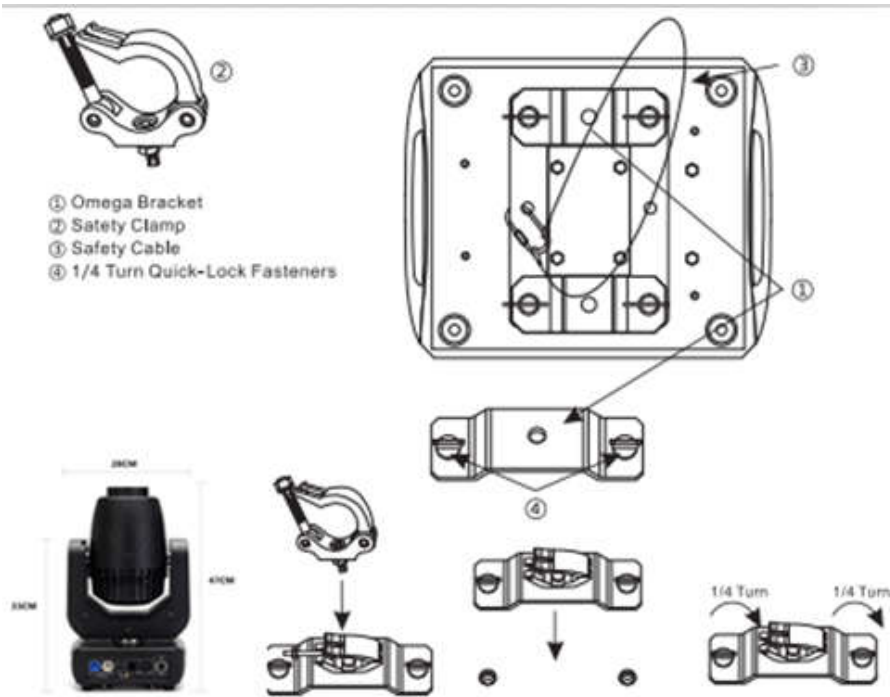
Mounting points: Overhead mounting requires extensive experience, including amongst others calculating working load limits, a fine knowledge of the installation material being used, and periodic safety inspection of all installation material and the fixture. If you lack these qualifications, do not attempt the installation yourself. Improper installation can result in bodily injury.

Be sure to complete all rigging and installation procedures before connecting the main power cord to the appropriate wall outlet.

Clamp Mounting: The LED Moving Head provides a unique mounting bracket assembly that integrates the bottom of the base, and the safety cable rigging point in one unit (see the illustration below). When mounting this fixture to truss be sure to secure an appropriately

9 DMX CHANNELS

rated clamp to the included omega bracket using a M10 screw fitted through the center hole of the "omega bracket". As an added safety measure be sure to attached at least one properly rated safety cable to the fixture using on of the safety cable rigging point integrated in the base assembly.

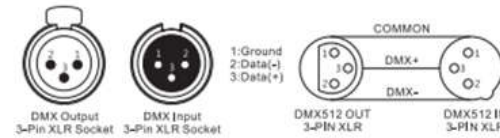


Regardless of the rigging option you choose for your LED Moving Head, always be sure to secure your fixture with a safety cable. The fixture provides a built-in rigging point for a safety cable on the hanging bracket as illustrated above. Be sure to only use the designated rigging point for the safety cable and never secure a safety cable to a carrying handle.

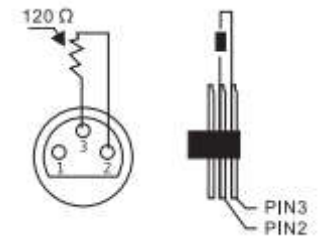
7

DMX-512 CONTROL CONNECTIONS

Connect the provided XLR cable to the female 3-pin XLR output of your controller and the other side to the male 3-pin XLR input of the moving head. You can chain multiple moving head together through serial linking. The cable needed should be two core, screened cable with XLR input and output connectors. Please refer to the diagram below.



For installations where the DMX cable has to run a long distance or is in an electrically noisy enviroment, such as in a discotheque, it is recommended to use a DMX terminator. This helps in preventing corruption of the digital control signal by electrical noise. The DMX terminator is simply an XLR plug with a 120 Ω resistor connected between pins 2 and 3, which is then plugged into the output XLR socket of the last fixture in the chain. Please see illustrations



below.

8

MENU OPERATIONS