

APPLICATION



PNEUMATIC MACHINE WITH 4 TANKS FOR REPLACEMENT RADIATOR AND BATTERY COOLANT



ADVANTAGES

IT HAS EASY COOLANT SELECTION/CHANGE AND FITS ALMOST ALL THE VEHICLES.

IT IS EQUIPPED WITH A PRESSURE RELIEF VALVE LOCATED ON THE TANK OF THE WASTE FLUID FOR MORE SAFETY.

AIR BUBBLES ARE REMOVED FROM THE CIRCUIT.

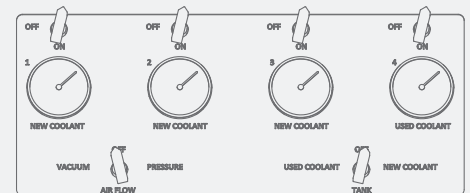
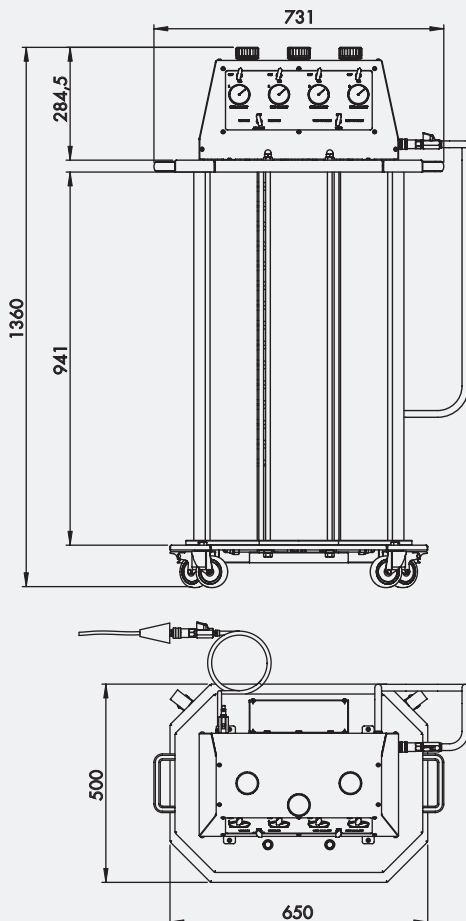


PNEUMATIC MACHINE WITH 4 TANKS FOR REPLACEMENT RADIATOR AND BATTERY COOLANT

- This mobile device allows you to drain, check the sealing, clean, create a vacuum to purge the cooling circuit and fill it, thanks to the Venturi system and a pressure gauge.
- It guarantees an ecological working since there is no need to open any drainage, by recovering all the coolant used in the cooling system, to avoid dispersion of liquid in the environment and on the workshop floor and allowing the user to dismantle any component of the engine without of coolant.
- Made with two transparent tanks, it allows you to clearly see the color and quantity of the liquid. Due to its construction features, the 2 liquids have no possibility of mixing and contaminating each other.
- It has easy coolant selection/change, user friendly, it fits almost all the vehicles.
- It is powered by compressed air.

Each tank has the capacity of contain 20 lt each:

- 1 tank for exhausted fluid;
- 1 coolant tank for EV cars;
- 2 tanks for endothermic coolant;



Vacuum gauge No. 4 works as pressure/ depression for exhausted fluid

Pressure gauges No. 1-2-3 only work as pressure for new fluid

New fluid filling hose

Exhausted fluid drainage hose

Exhausted liquid tank

