

G STUB AXLE PROP

CARS AND COMMERCIAL VEHICLES

UNIVERSAL



Allows the suspension axle to be raised and lowered to the required position using a hydraulic jack.

- The universal wheel hub holder is V-shaped and therefore can be fixed on the bolts of all hubs, designed to be coupled with the bolts that secure the wheels.
- **Compatible with approximately 95% of hydraulic pit jacks**, thanks to the adapters Ø 25 and 30mm.

Application

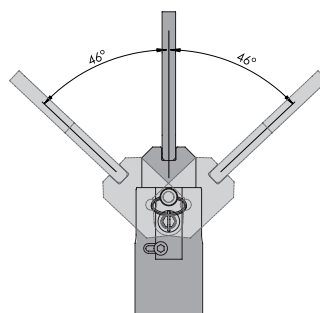
Disassembly and assembly of the upright and the support joint or trapezoid of the suspension cross arm.

Load bearing test according to manufacturer specifications to highlight noise.



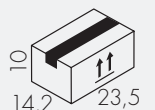
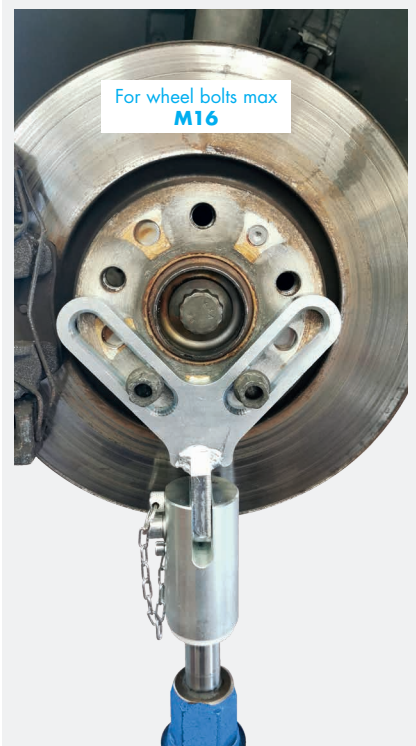
MAX. LOAD
330 KG

On request:
**GO1450, GO1451,
GO1452, GO1453**



Technical data

Total length:	225 mm
Assembly:	Ø40mm
Tilt angle:	± 46°(forwards + backwards)



GO

366

1 with 3 pcs.

kg 1,5 kg