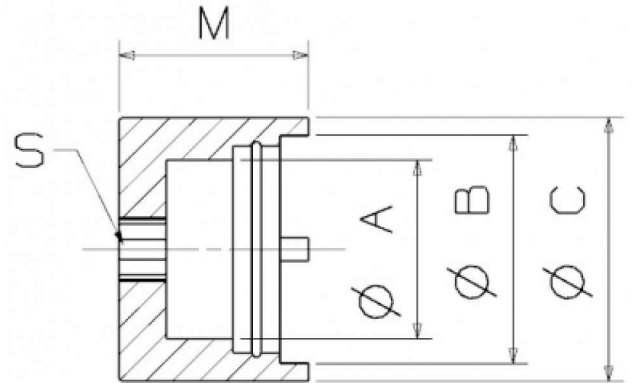


KM SOCKETS AND EXTENSION TUBES

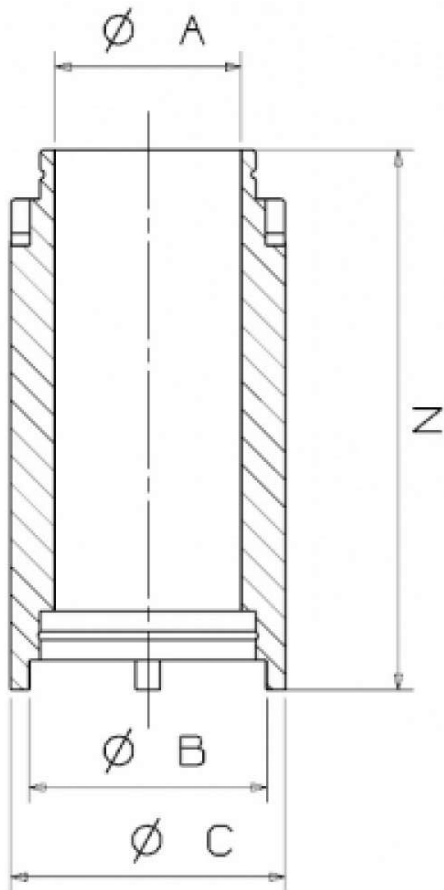


KM SOCKETS DIMENSIONS

KM	ØA	ØB	ØC	M	S	Weight (KG)
KM2	12	21	25	35	22	0.11
KM3	18	25	28	40	1/2"	0.1
KM 4	18	28.5	34	40	1/2"	0.18
KM 5	24	34.5	40	40	1/2"	0.22
KM 6	31	42	47	40	1/2"	0.29
KM 7	36	49	54	40	1/2"	0.36
KM 8	42	54	60	40	1/2"	0.44
KM 9	47	58	67	40	1/2"	0.55
KM 10	52	65	72	40	1/2"	0.6
KM 11	57	70.5	77	50	3/4"	0.81
KM 12	62	76	82	50	3/4"	0.88
KM 13	67	80	87	50	3/4"	1.25
KM 14	74	86	94	50	3/4"	1.45
KM 15	80	89	102	80	1"	2.5
KM 16	87	98	109	80	1"	2.75
KM 17	92	104	114	80	1"	3
KM 18	102	114	124	80	1"	3.5
KM 19	107	119	129	80	1"	3.75
KM 20	112	121	136	80	1"	4.2
KM 21	122	133	146	80	1"	4.7
KM 30	177	186	201	80	1"	9.5

Dimensions in mm

KM SOCKETS DIMENSIONS WITH EXTENSION TUBE



Abbreviation	ØA	ØB	ØC	N	Weight (KG)
KM 4	18	28,5	34	100	0.44
KM 5	24	35	40	100	0.53
KM 6	31	42	47	100	0.65
KM 7	36	49	54	100	0.86
KM 8	42	54	60	100	1.06
KM 9	47	58	67	110	1.32
KM 10	52	65	72	110	1.44
KM 11	57	70.5	77	110	1.55
KM 12	62	76	82	110	1.68
KM 13	67	80	87	120	1.95
KM 14	74	86	94	120	2.15

Dimensions in mm