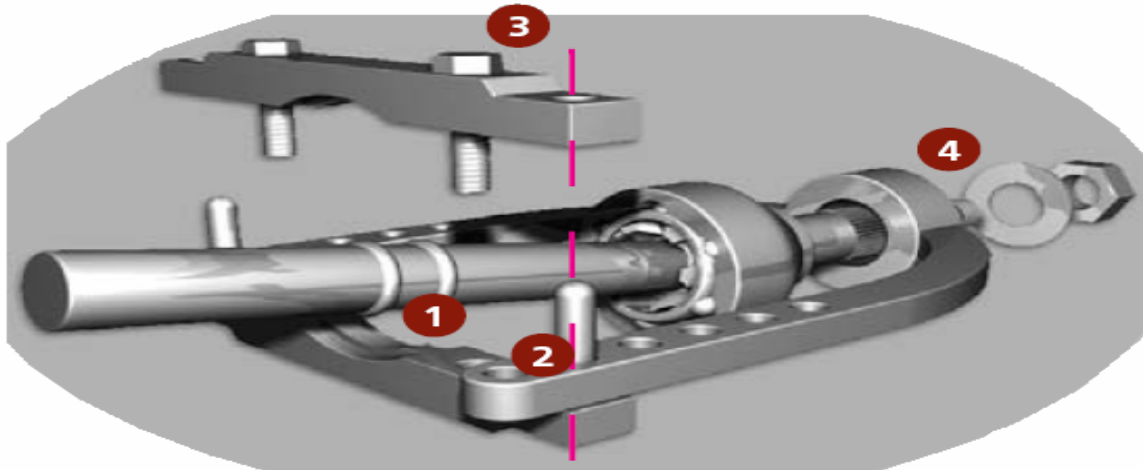


08090000 - CV JOINT PULLER

Before starting the work, make sure that the joint is the type to be removed from the drive shaft. Also check whether the retaining ring is the type that needs to be removed with a pair of circlip pliers.



1. Place the tool under the drive shaft. Align the >neck< of the lower jaw with the clamping slot of the boot or with the narrowest section of the drive shaft.
2. Adjust the lower jaw to a suitable distance using the adjustment holes - remember to leave enough thread visible to tighten the locking nut.
3. Place the upper jaw on the lower jaw with the drive shaft between them and tighten the two bolts to secure the tool in position.
4. Apply some lubricant to the washer and lock the nut. Then tighten the lock nut until the retaining ring inside the joint releases the joint from the shaft. Note: If the retaining ring is the type that needs to be removed with a pair of circlip pliers, you must open the circlip while tightening the nut.
5. If the joint sits very tight, try to loosen the nut slightly and tap gently on the outside of the joint e.g. with a soft faced mallet to loosen it. Then tighten the nut again and carefully tap the joint outwards.
6. To avoid damaging the nut, never use extensions to increase the torque or use heavy-duty wrenches. If the joint still will not come loose, do not use excessive force.

