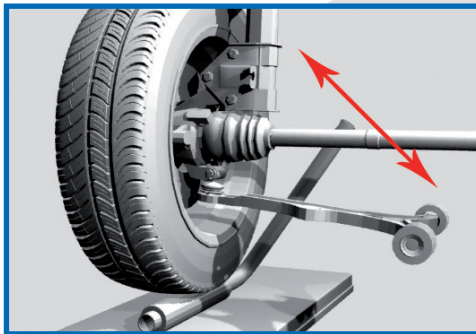


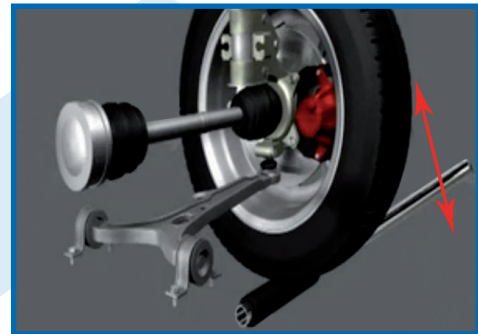
Suspension Wear Indicator - 08085000

WHEN FITTING THE TOOL PLEASE ENSURE THAT THE WHEEL IS LOWERED & NOT DRIVEN ON TO THE SUSPENSION WEAR INDICATOR

ROCK THE WHEEL TO TEST FOR MOVEMENT / PLAY



MOVEMENT OPTION 1



MOVEMENT OPTION 2

