

HYDRAULIC NUT SPLITTER

031600V2 AND 033600V2

031600V2 PRODUCT DESCRIPTION-

- Hydraulic Nut Splitter - 22mm
- Allen key hex drive
- 22mm nut capacity
- Removes seized nuts without damaging threads



033600V2 PRODUCT DESCRIPTION-

- Hydraulic Nut Splitter - 37mm
- Allen key hex drive
- 37mm nut capacity
- Removes seized nuts without damaging threads
- Supplied in steel storage case



SPARE PARTS

031612V2-

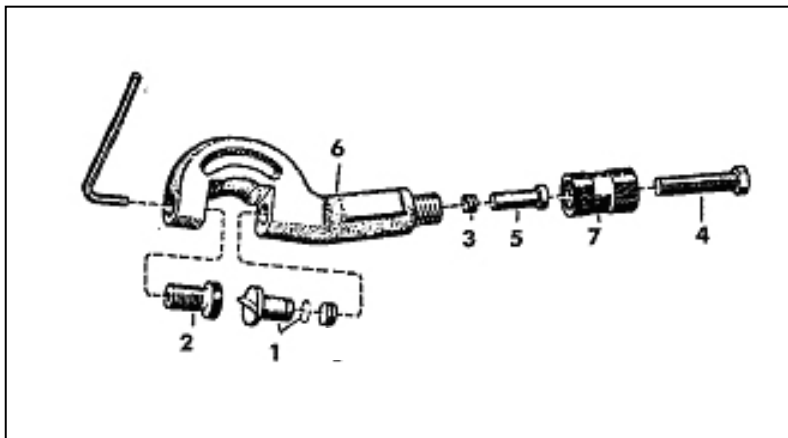
- Replacement Cutter and Anvil
- For product 031600V2



OPERATING INSTRUCTIONS FOR HYDRAULIC NUT SPLITTER

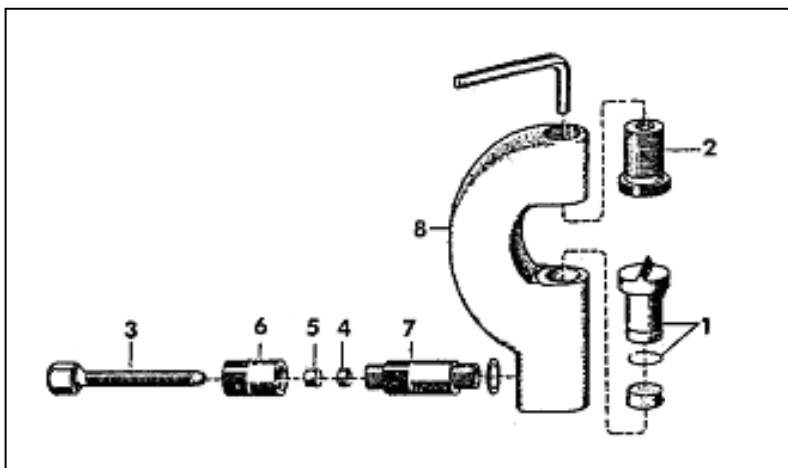
The method of operation is similar for both models:

1. Set the cutter blade at right angles to the flat on the nut.
2. Adjust screwed anvil so that the nut is positioned square between anvil and cutter. Hexagon key provided.
3. Turn pressure screw with fingers until nut is firmly gripped.
4. Use spanner to apply hydraulic pressure. NOTE: As a safety precaution cover the nut area with cloth before applying pressure. High Tensile nuts may shatter.
5. After splitting a nut and releasing the pressure screw, the plunger must be returned to its retracted position. Some resistance will probably be felt owing to the fact that the hydraulic medium (grease) must be forced back from a large cylinder into a smaller one. A hexagon key is provided for adjusting the anvil and can be used if retraction is difficult. Place a piece of metal between cutter and anvil and tighten anvil. Avoid finger contact with the blade.



031600V2-

1. Cutter
2. Anvil
3. Sealing Washers
4. Pressure Screw
5. Distance Piece
6. Body
7. Pressure Screw knurled adaptor



033600V2-

1. Cutter
2. Anvil
3. Pressure Screw
4. Sealing Washers
5. Distance Piece
6. Pressure Screw knurled adaptor
7. Extension Sleeve
8. Body