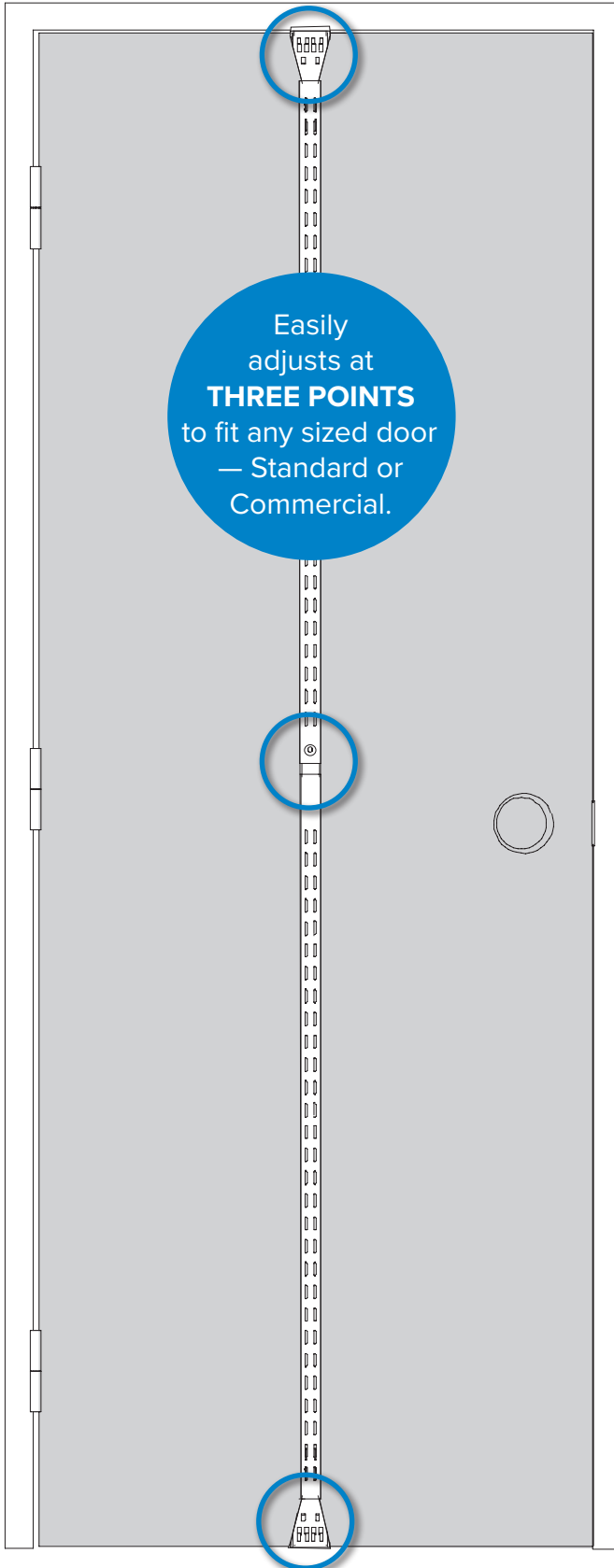


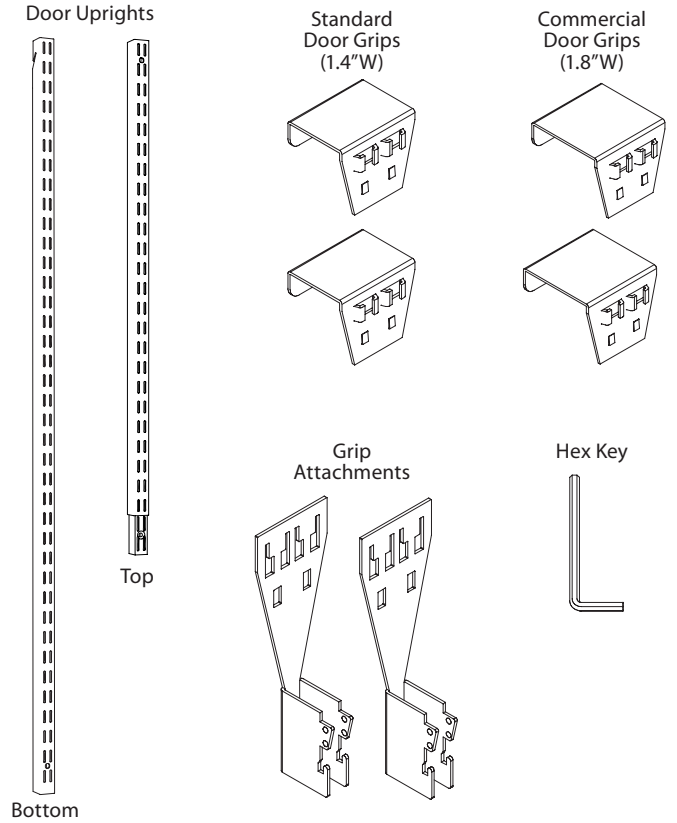
Over the Door

STORAGE SYSTEM

Over the Door Kits offer the flexibility to change accessories, without any tools.

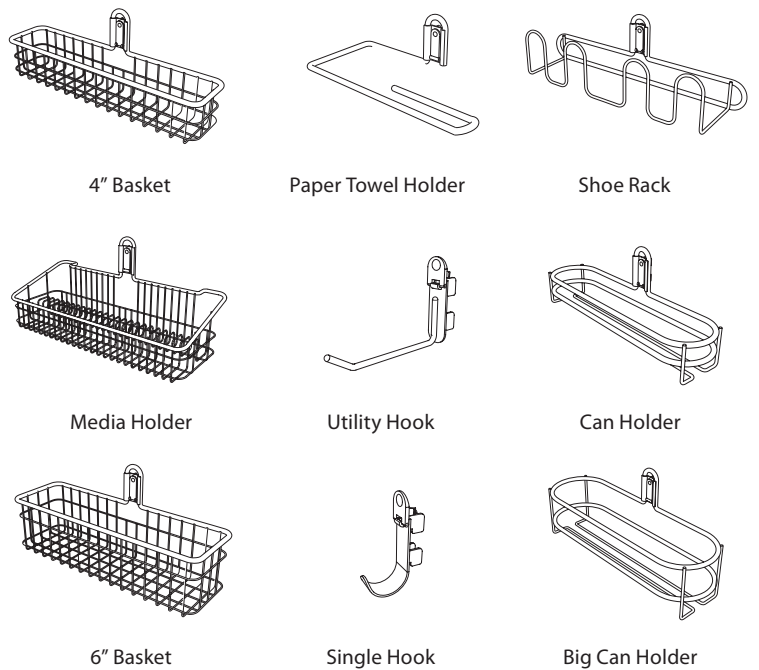


PARTS INCLUDED IN KIT



ACCESSORIES

*Accessories included vary.



INSTALLATION GUIDELINES

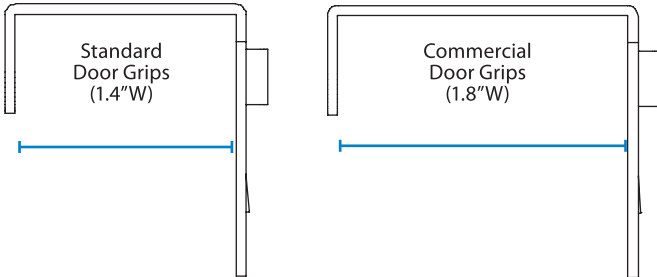


Watch Now. Learn How.
shop.organizedliving.com/installation

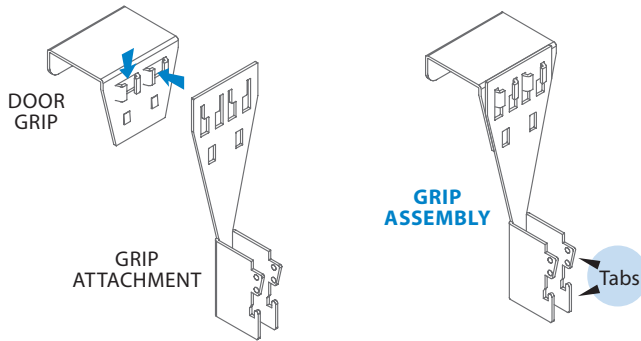


1. ASSEMBLE DOOR GRIPS

- Choose the Door Grips set that fits your door width (1.4" or 1.8").

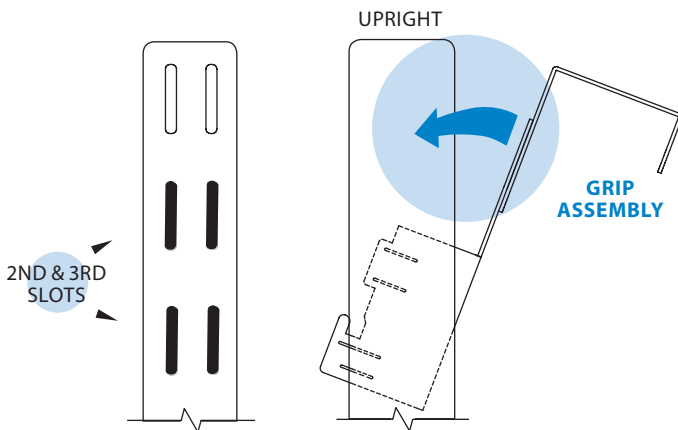


- Align Grip Attachment notches with Door Grip brackets.
- Press notches in and slide down to lock, creating a Grip Assembly.
- Repeat process for remaining Grip Attachment and Door Grip.



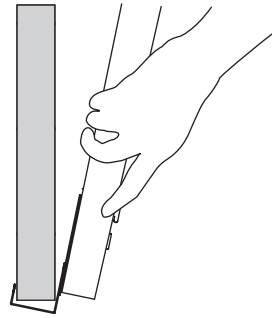
2. ATTACH GRIP ASSEMBLIES TO UPRIGHTS

- Snap Grip Assembly tabs into the 2nd and 3rd slots of Top Upright.
- Repeat process for Bottom Upright snapping Grip Assembly tabs into the 2nd & 3rd slots from the bottom of the Bottom Upright.

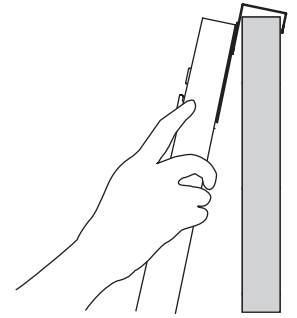


3. ATTACH UPRIGHTS TO DOOR

- Slide and center the Bottom Upright Grip Assembly under the door.
- Hang and center the Top Upright Grip Assembly over the door.



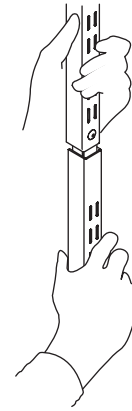
BOTTOM UPRIGHT



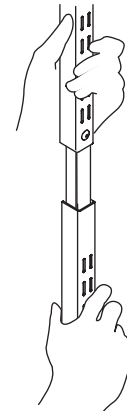
TOP UPRIGHT

4. ALIGN TOP AND BOTTOM UPRIGHTS ON DOOR

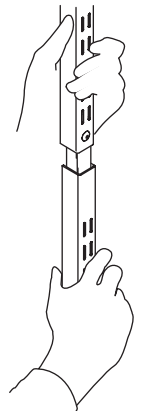
- Bring Top and Bottom Uprights together at door middle.
- Adjust until they meet with about a 1" gap.



TOO CLOSE



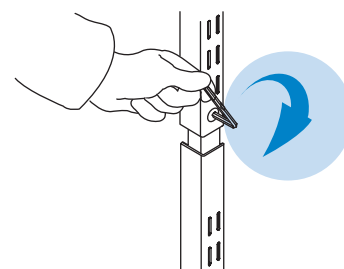
TOO FAR APART



CORRECT

5. TIGHTEN UPRIGHTS ON DOOR

- With the Top and Bottom Uprights correctly aligned, place and tighten Screw into Upright turning Hex Key to the right.



Contact Us.

Phone: 1-888-674-5484 8 am-5 pm EST Mon-Fri.
Email: customerservice@organizedliving.com
organizedliving.com/installation

Organized
Living

Connect with us.      

©2020 OrganizedLiving | Cincinnati, OH 45241