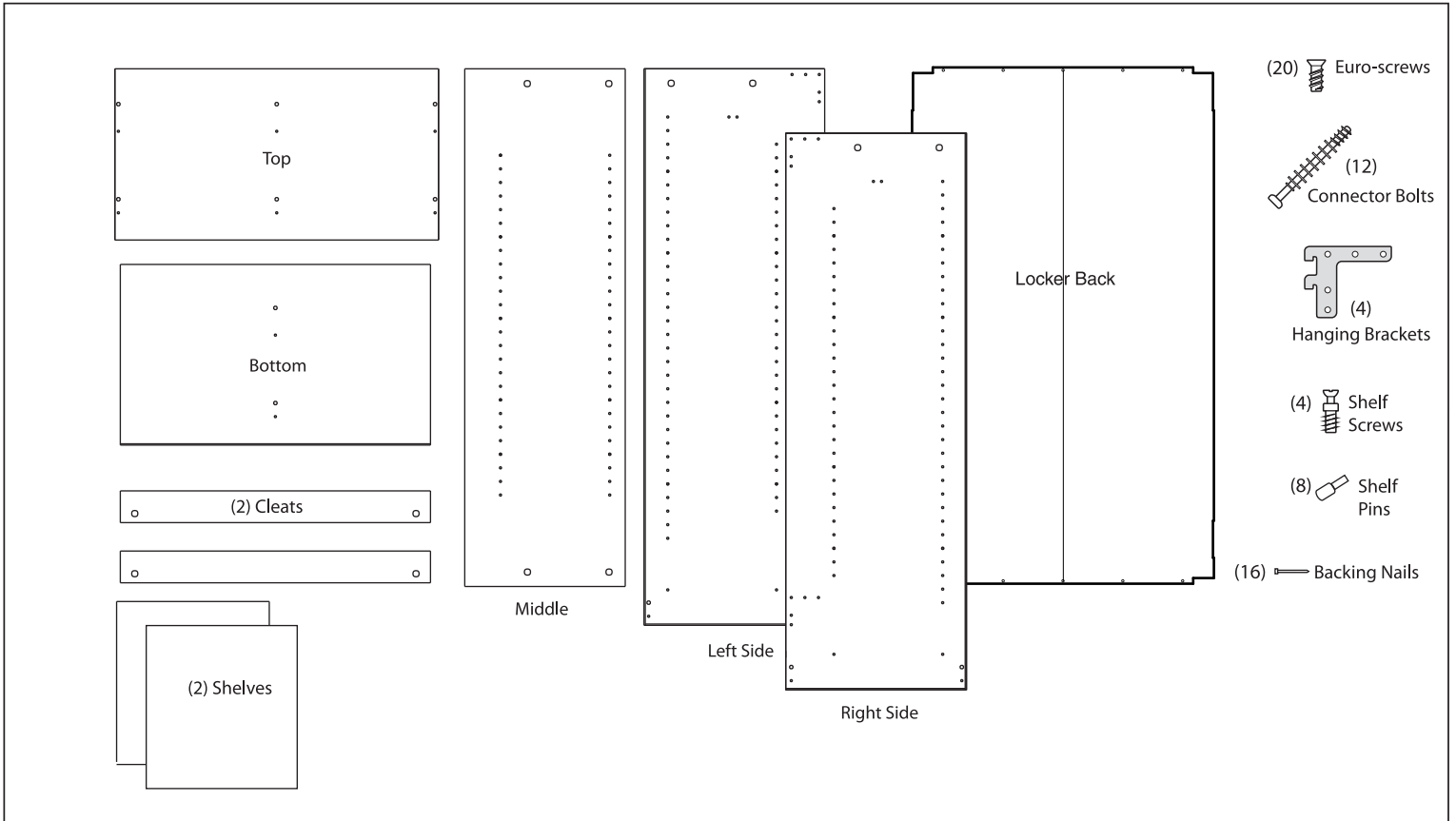
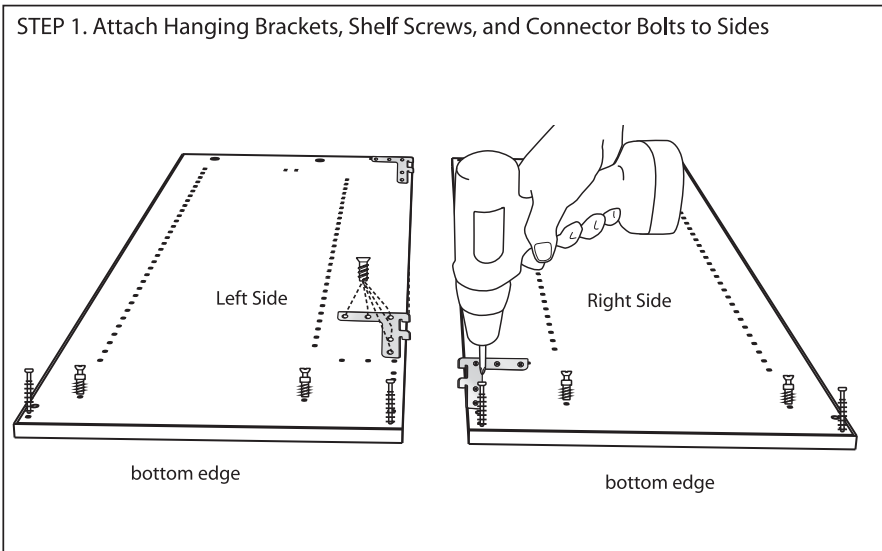


CONTENTS OF PACKAGE



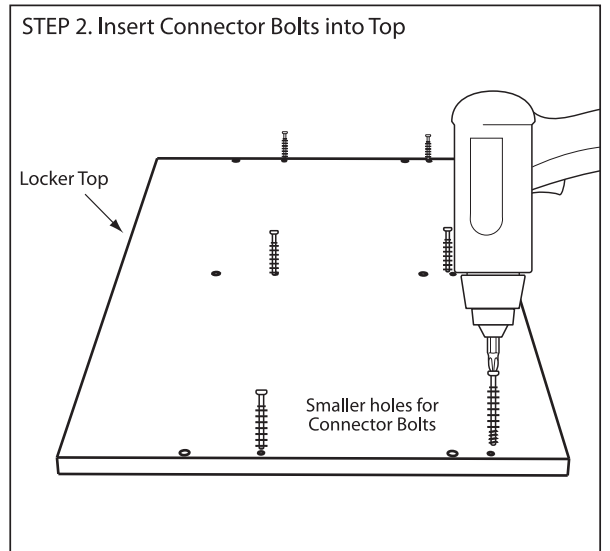
Assembling the GO-Box Locker

STEP 1. Attach Hanging Brackets, Shelf Screws, and Connector Bolts to Sides



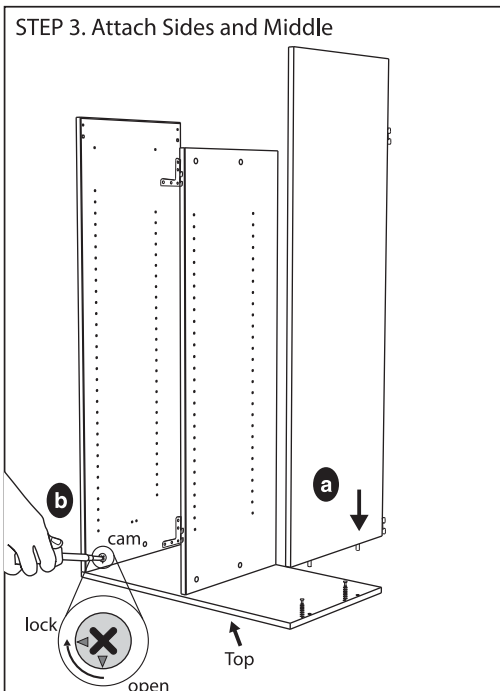
Attach 4 Hanging Brackets to Sides using Euro-screws. Attach 4 Shelf Screws and 4 Connecting bolts near bottom. (If using Power Drill, set torque to low setting.)

STEP 2. Insert Connector Bolts into Top



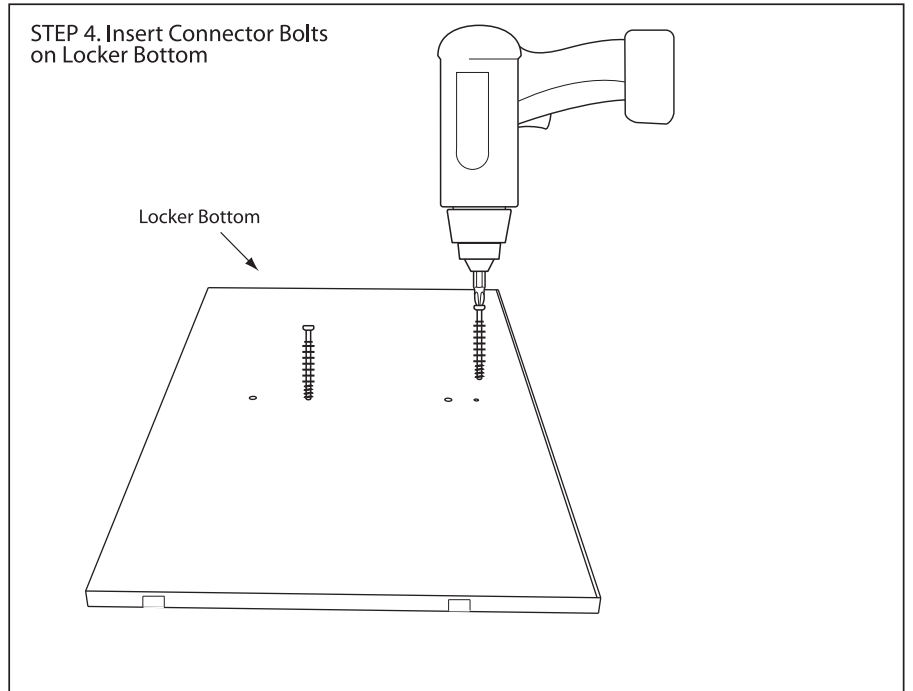
Insert 6 Connector Bolts into small holes on Locker Top.

STEP 3. Attach Sides and Middle



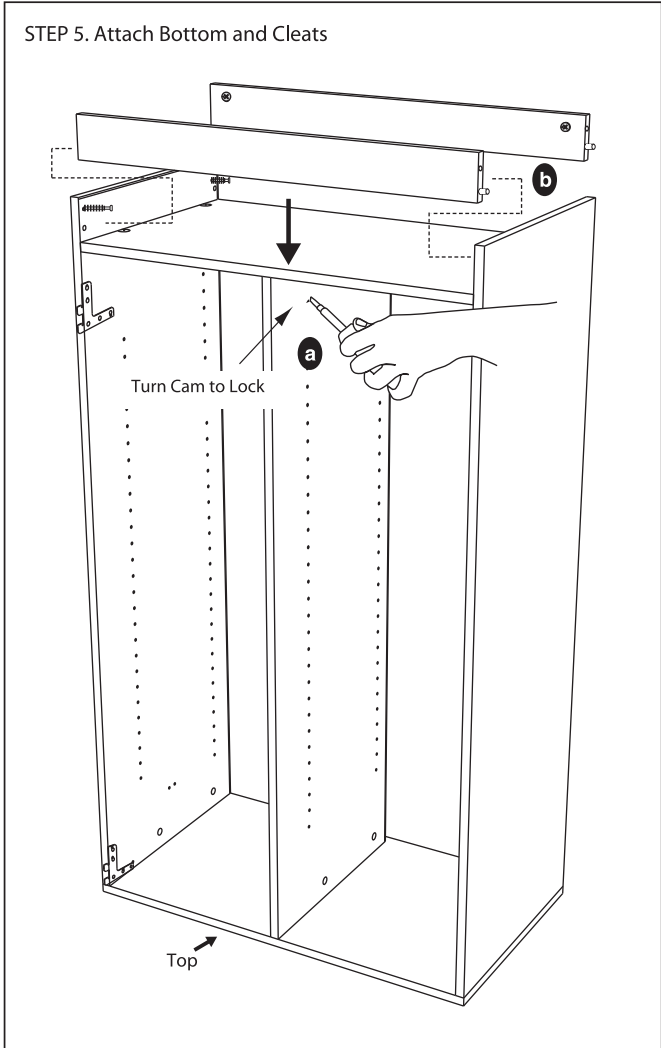
(a) Attach Sides and Middle to Top.
(b) Tighten cams by turning clockwise until snug.

STEP 4. Insert Connector Bolts on Locker Bottom

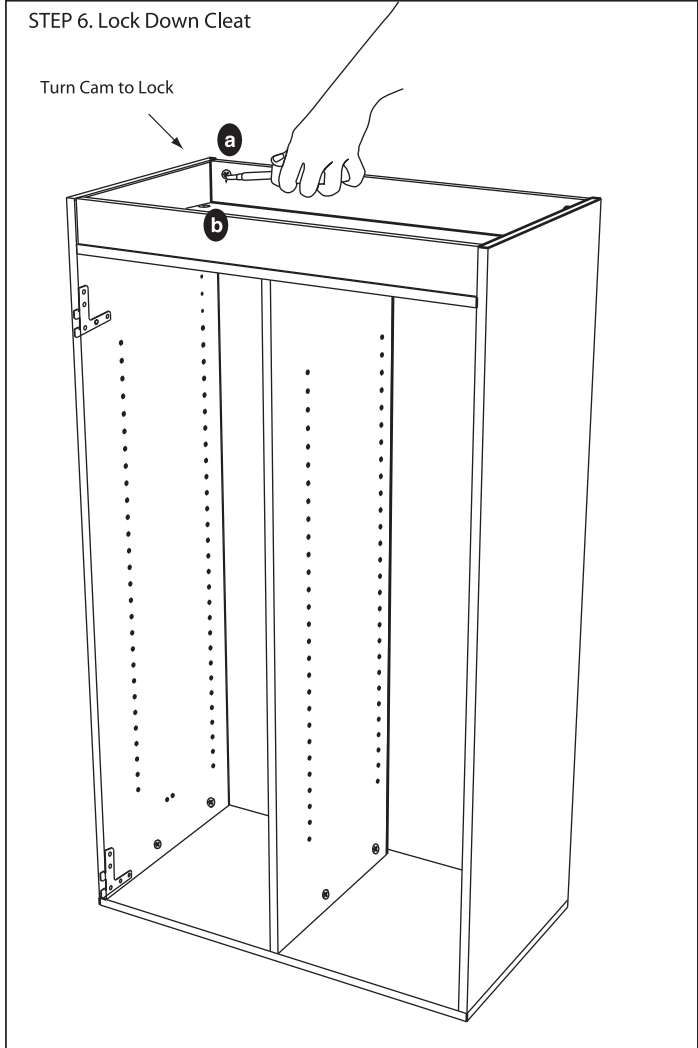


Insert 2 Connector Bolts into small holes on Locker Bottom.

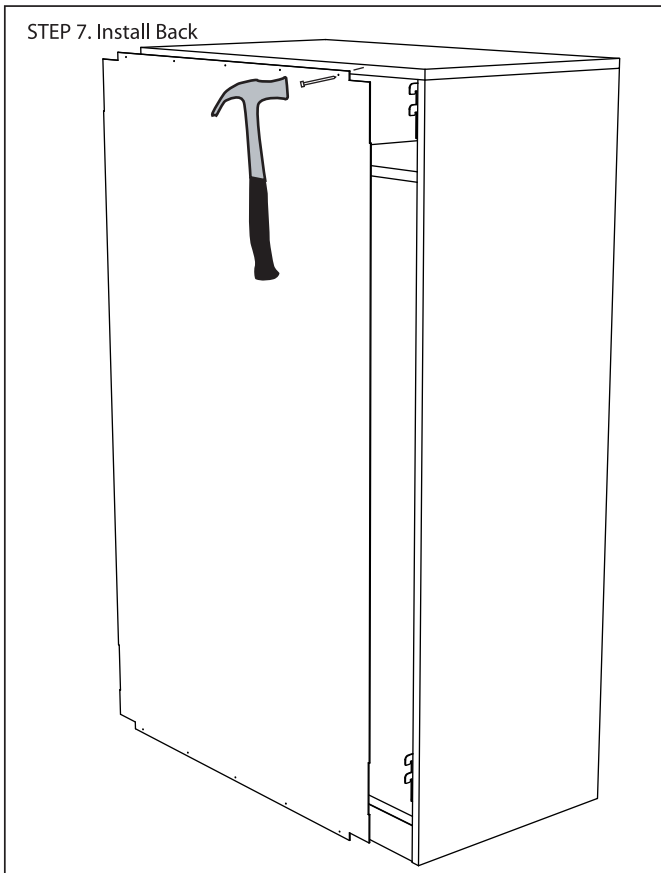
OVER



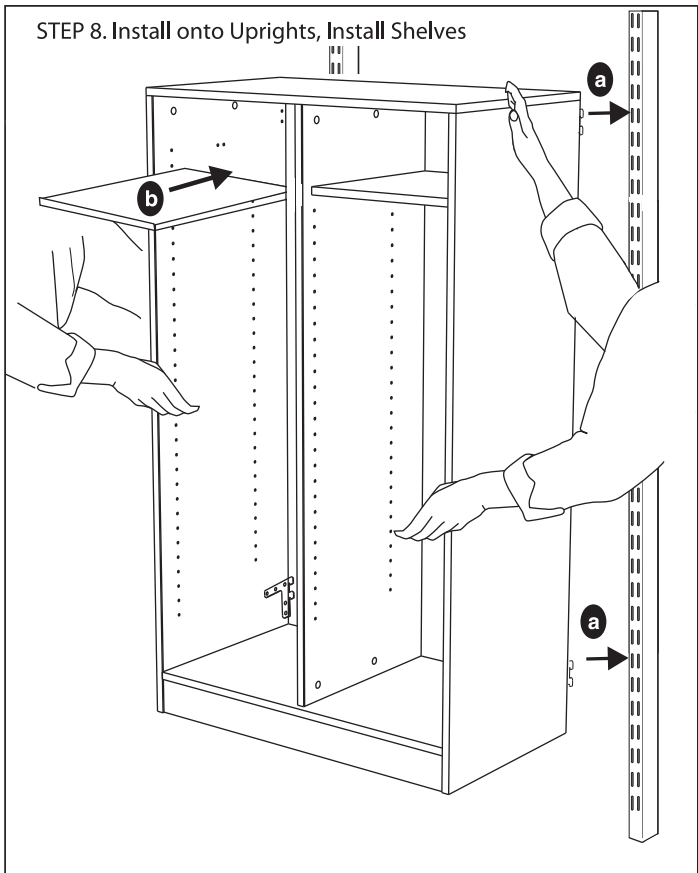
(a) Attach Locker Bottom to middle and tighten cams on Middle section. Do **not** tighten cams on locker Bottom.
(b) Insert Locker Cleat one end at a time



(a) Turn all Cams on cleats to lock down.
(b) Tighten all cams on locker Bottom.



Install Backing with Nails provided into Top and Bottom Panel only.



(a) Install Locker on Uprights by inserting Hanging Brackets into innermost slots on the uprights. **TWO PEOPLE RECCOMENDED FOR INSTALLATION**
(b) Install Shelf Pins into hole pattern where shelf is desired.
Insert Shelf onto Shelf Pins