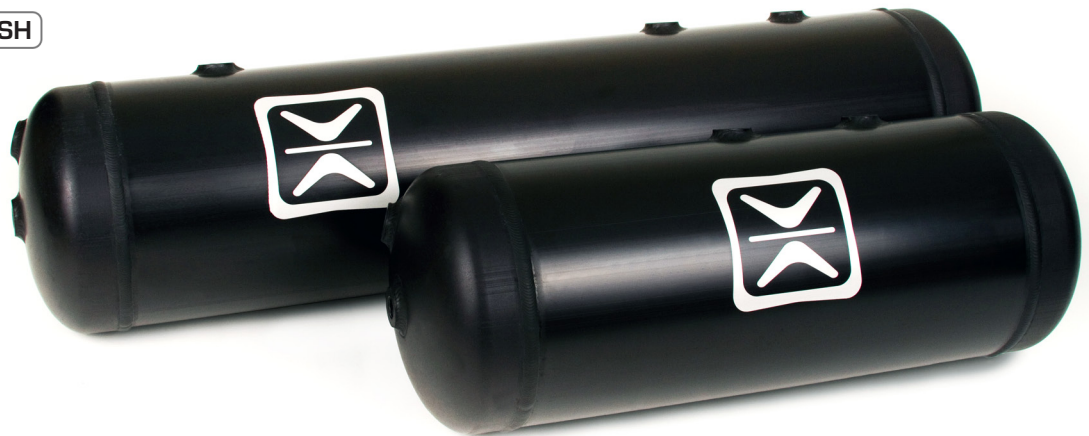


RAW FINISH



BLACK ANODIZE FINISH



Aluminum tanks are lightweight and corrosion resistant. These units are extruded and 100% TIG welded for maximum quality. The 5-gallon option gives adequate air storage for typical vehicles with 4-Corner Air Suspension. On some lightweight vehicles a single 3-gallon tank can offer adequate air storage.

Features:

- **Aluminum Air Tanks** are lightweights and corrosion resistant.
- **Extruded and 100%TIG Welded** for maximum quality.
- **High Pressure Rated** for operation up to 200 psi.
- **Multiple Ports** for maximum flow (Plug extra inlet if not required).
- **Compact Layout** for minimal space usage.
- **100% Weather Resistant** for harsh under vehicle environments.

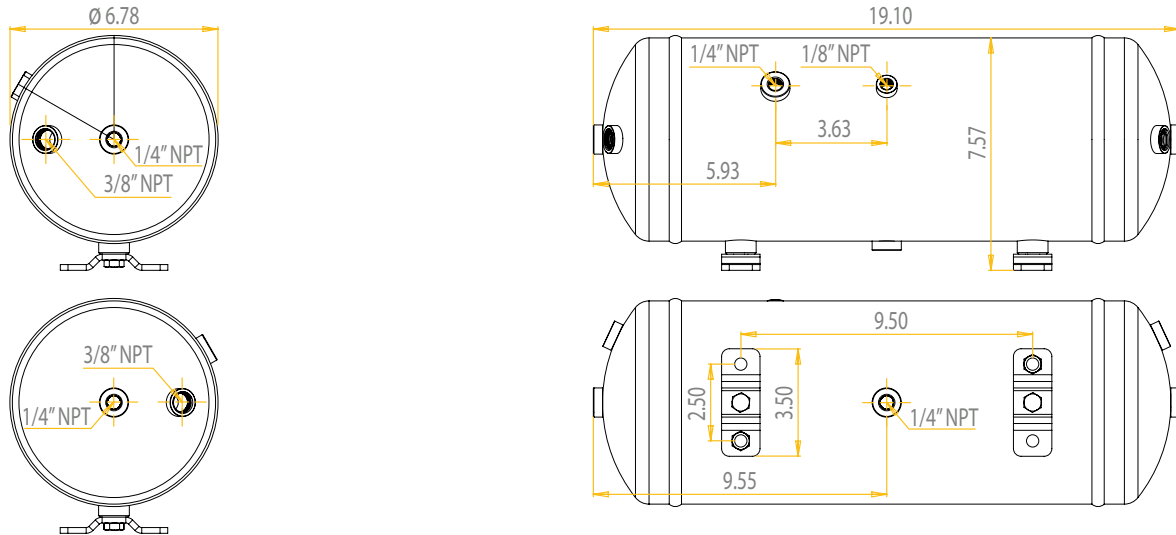
Technical Specifications:

Compatible Suspension Type	Any Air Suspension
3-Gallon Tank Port Sizes	(1) 1/8" NPT; (4) 1/4" NPT & (2) 3/8" NPT
5-Gallon Tank Port Sizes	(1) 1/8" NPT; (5) 1/4" NPT & (2) 3/8" NPT
No. of Ports	(7) 3-Gallon; (8) 5-Gallon
Max Operating Pressure	200 psi

Kit Includes:	Qty	PN
3-Gallon Aluminum Air Tank	1	AA-ALUMTANK3-XX
5-Gallon Aluminum Air Tank		AA-ALUMTANK5-XX

Dimensions In Inches (Not To Scale)

3 Gallon Air Tank



Dimensions In Inches (Not To Scale)

5 Gallon Air Tank

