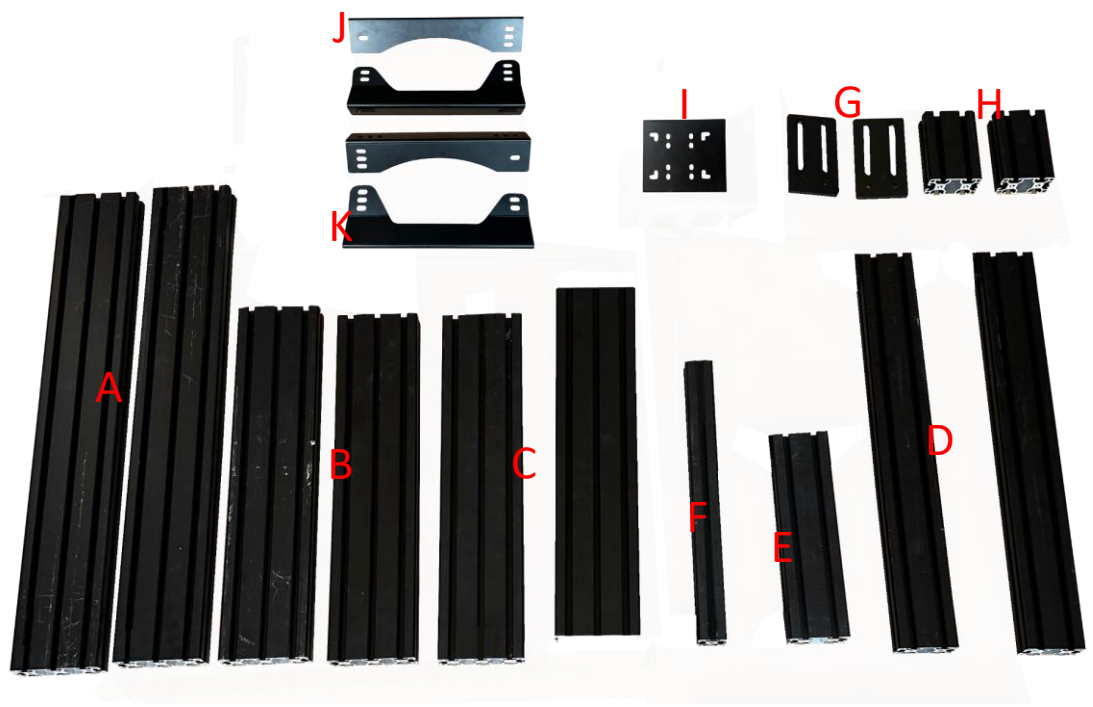




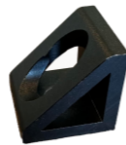






***GTA Revolution
Installation Manual***

Parts List - Standard

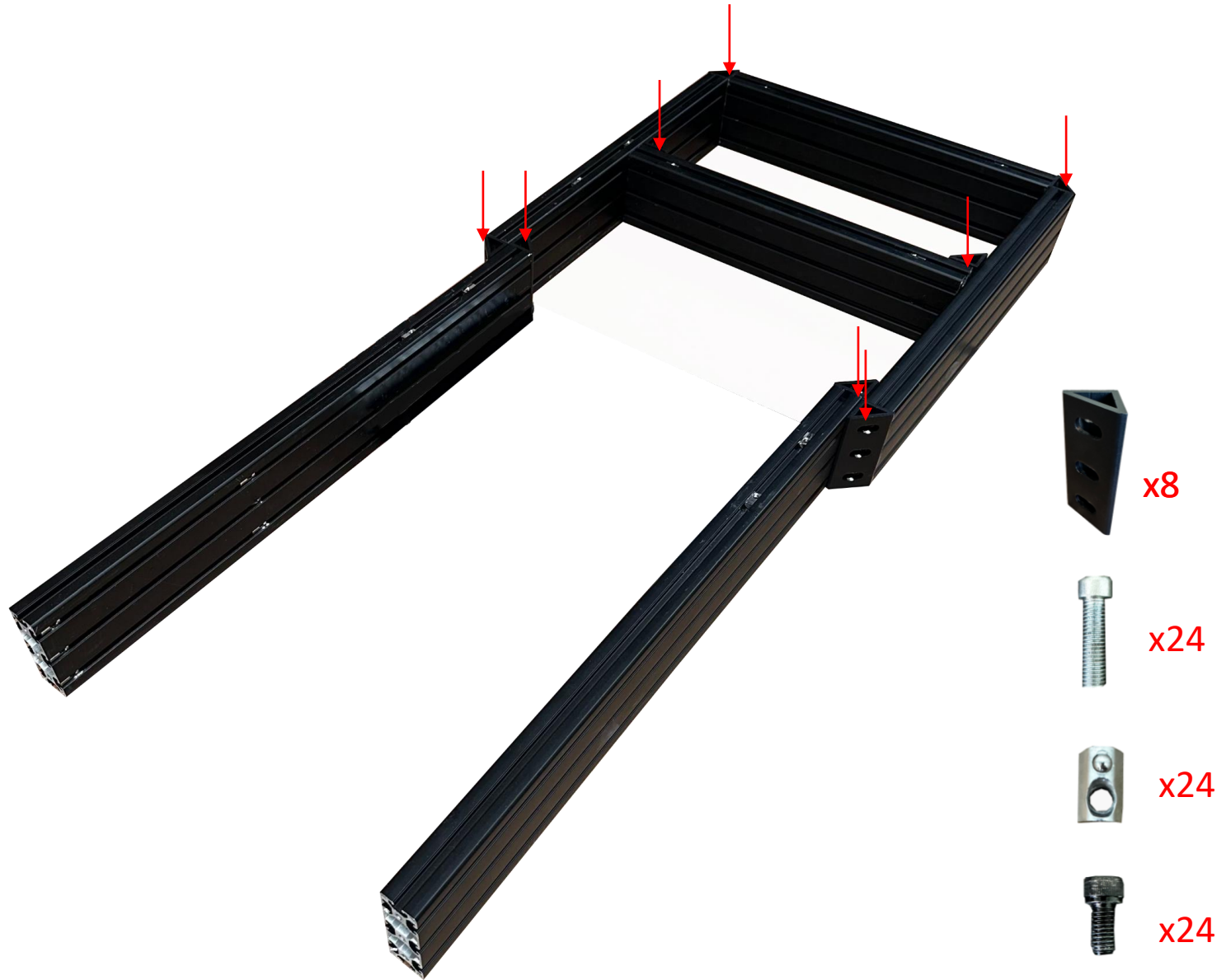


- a  x36
- b  x54
- c  x50
- d  x8
- a1  x8
- b1  x8
- c1  x2

Step 1



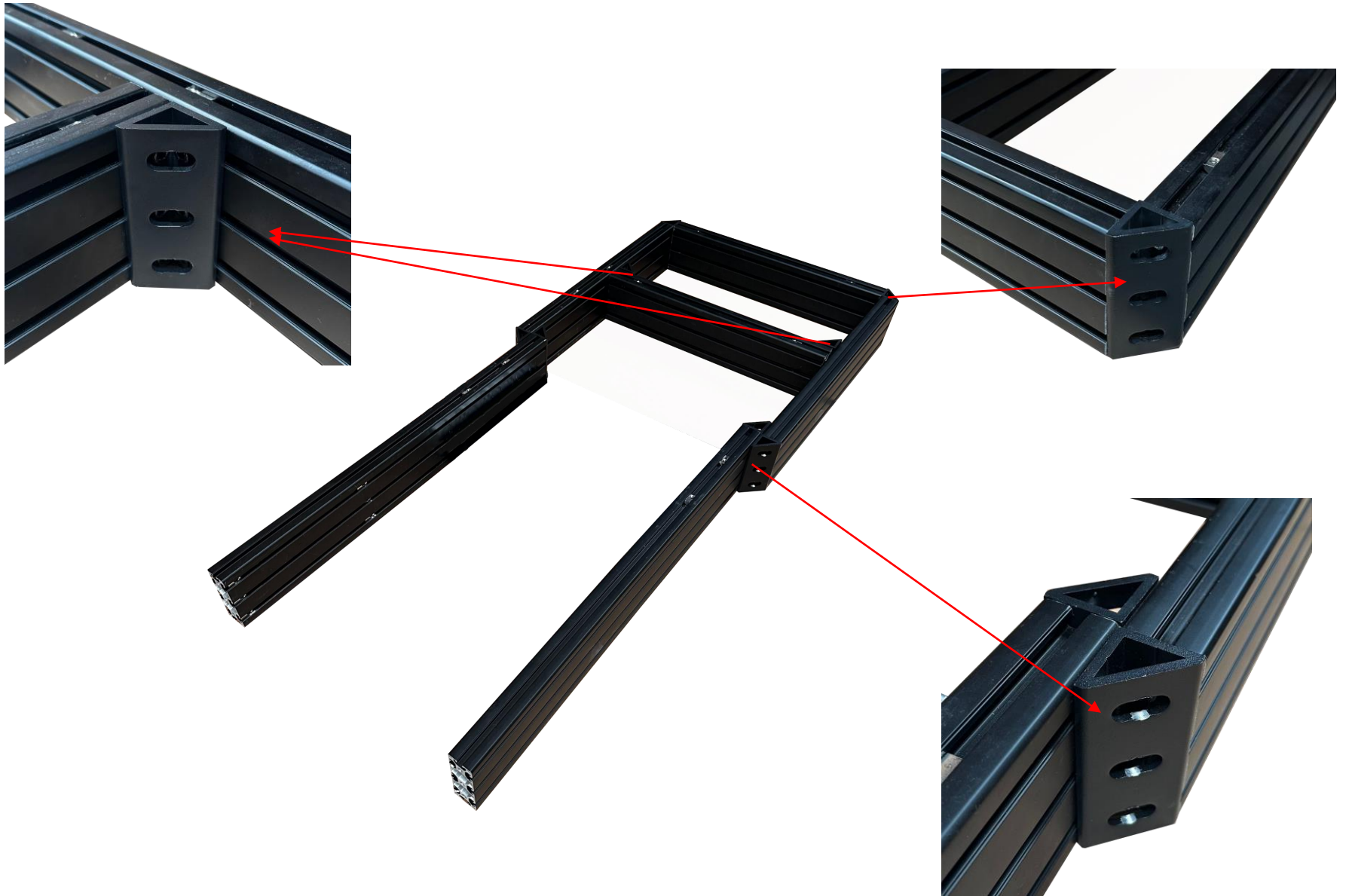
Step 2



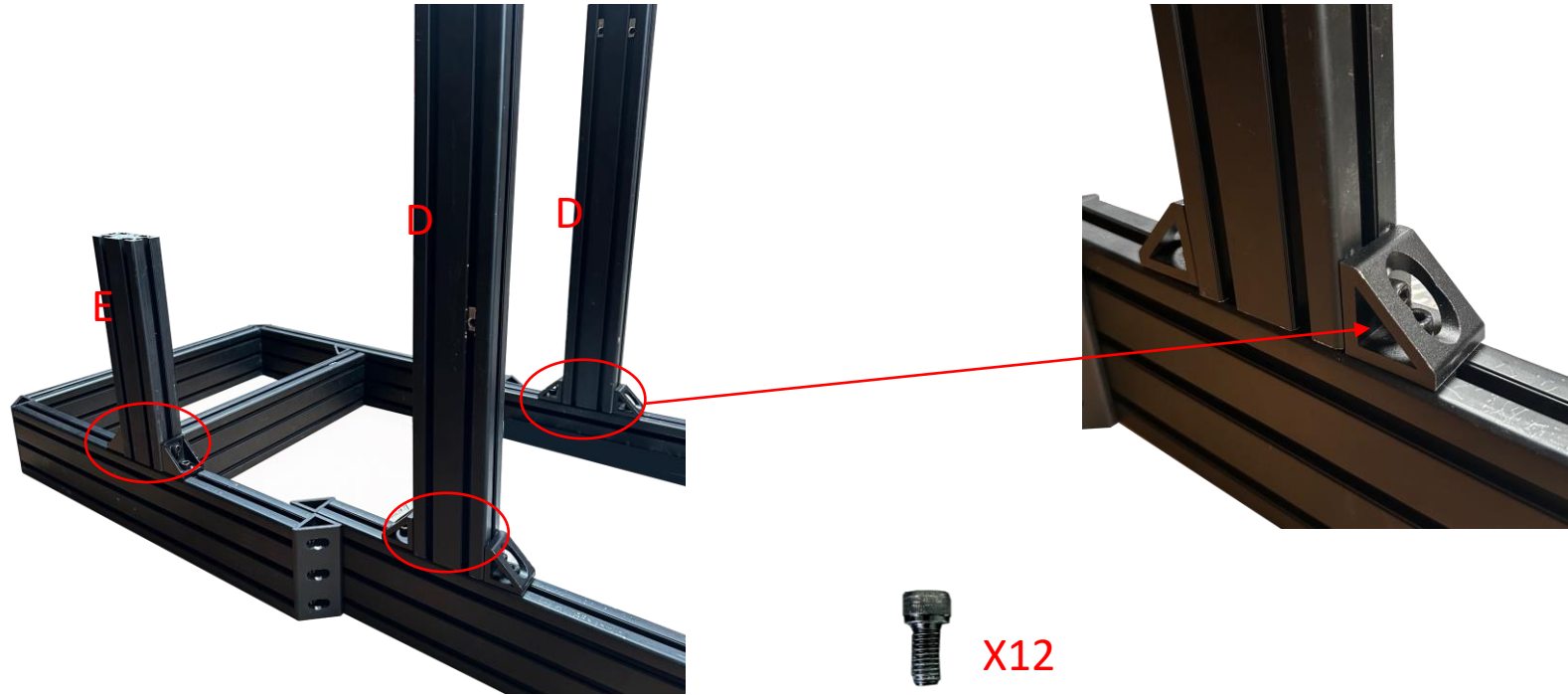
Step 3



Step 4



Step 5



X12

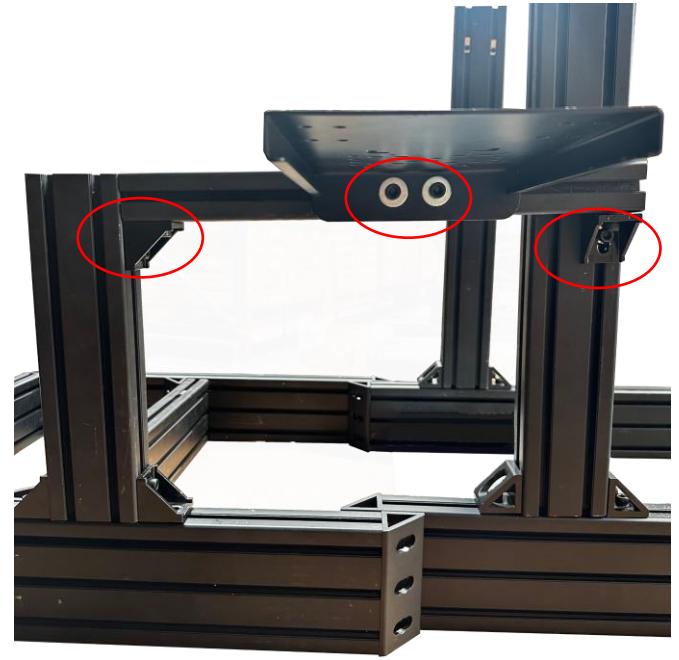


X6 (6 already slide in @ step 2)



X6

Step 6



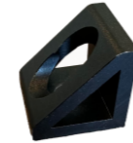
X6



X2



X6



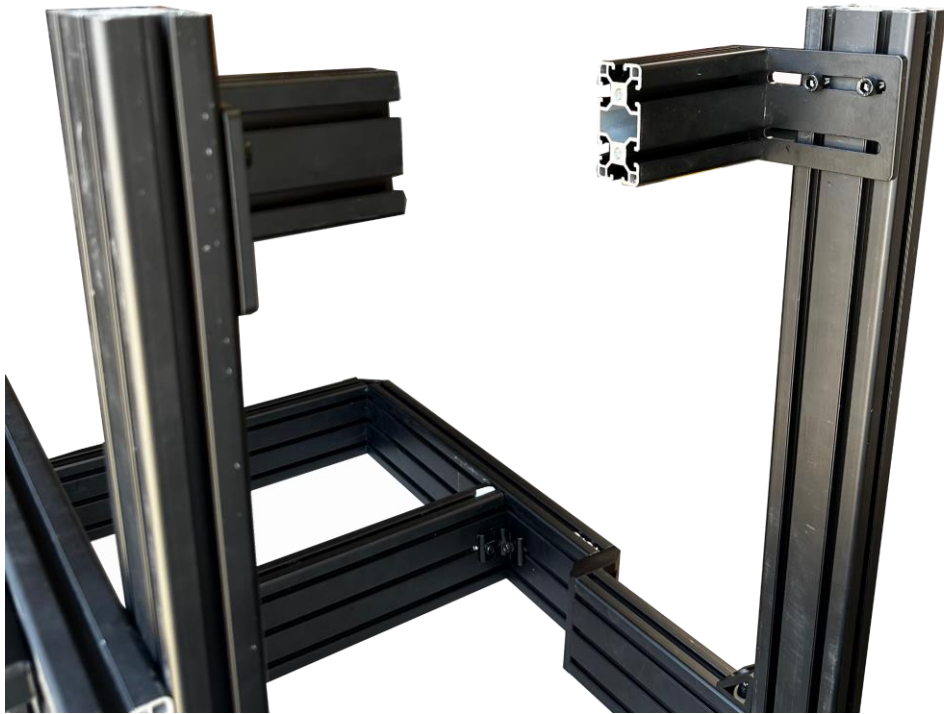
X2

Step 7

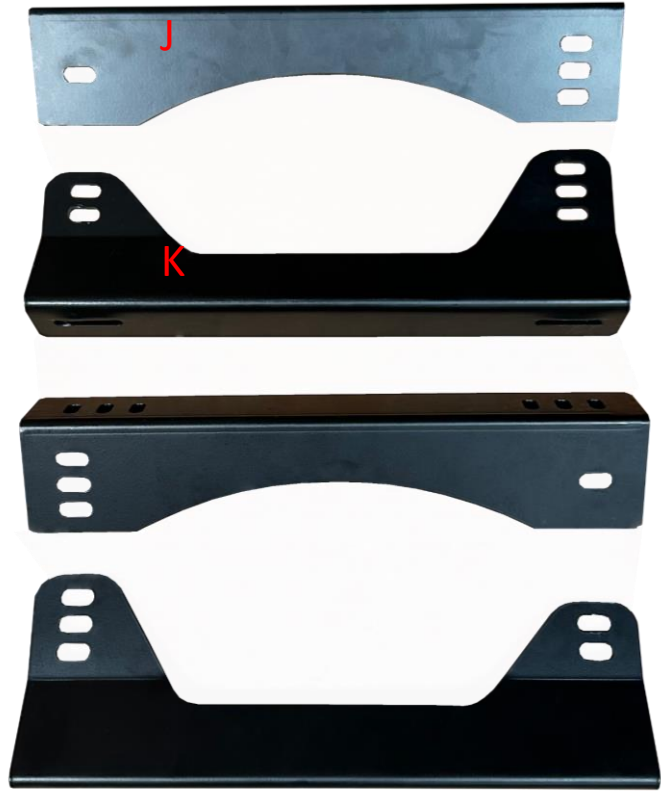


Step 8

 X4  X4



Step 9



Step 10



X4



X4 (already slider in @ step 2)



Step 11



Install seat slider under the seat
By sliding back and forth to adjust



X4

Step 12



X4

X4

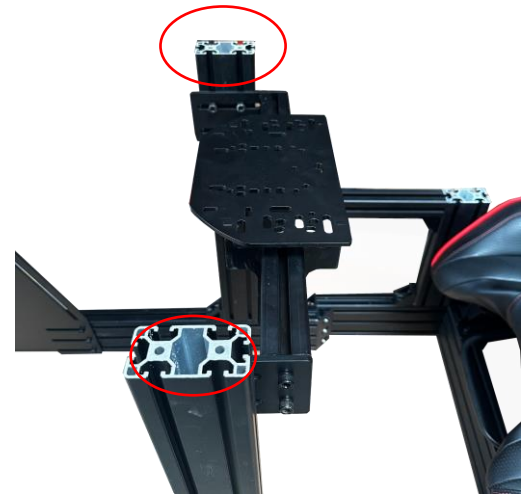


Mount the rear part of the seat first
then mount the front part of the seat

Step



Install the end-cap



Complete

This GTA Revolution image including

- Bottom wheel mount (optional)
- Height-adjustable pedal mount (optional)
- Shifter handbrake mount (optional)





Optional Parts Installation

Part List – Bottom Wheel Mount



X8



X4

Optional Step - Bottom Wheel Mount



Part List – Side Wheel Mount



Optional Step - Side Wheel Mount



Part List – Front Wheel Mount

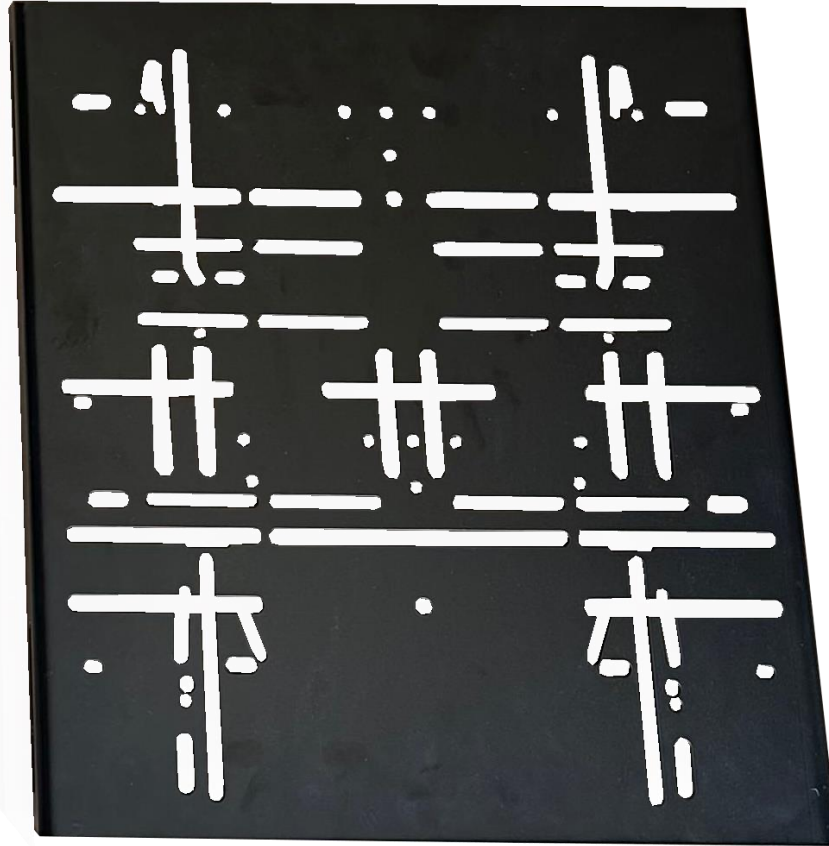


X8

Optional Step - Front Wheel Mount



Part List – Standard Pedal Mount



X4



X4

Optional Step – Standard Pedal Mount

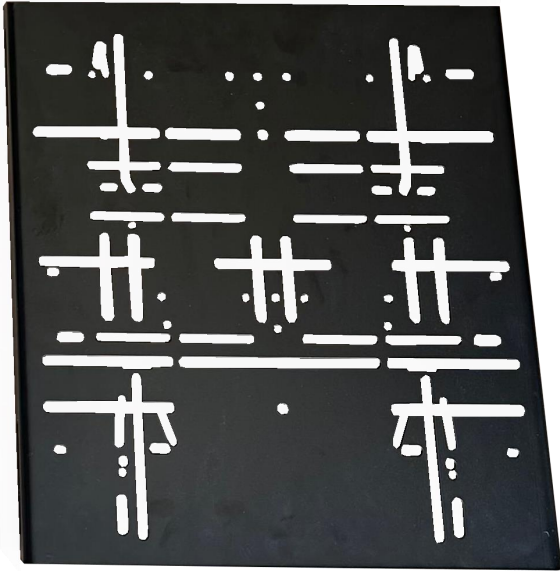


X4



X4

Part List – Height-Adjustable Pedal Mount



X16



X16

Optional Step– Height-Adjustable Pedal Mount



X12



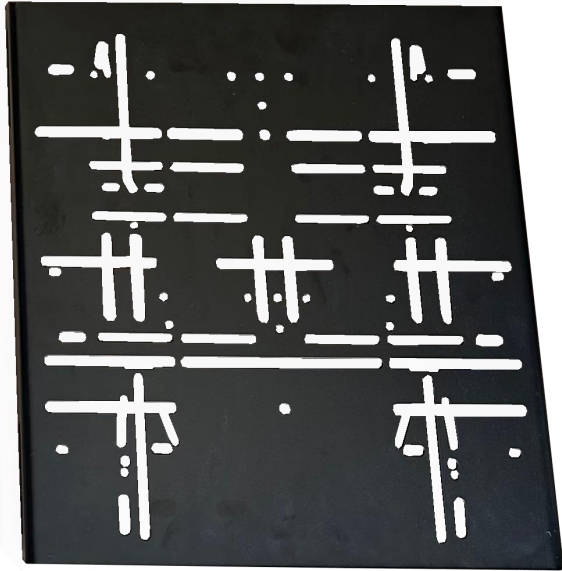
X12



X4

X4

Part List – Height-Adjustable Inverse Pedal Mount



X16



X16

Optional Step – Height-Adjustable Inverse Pedal Mount

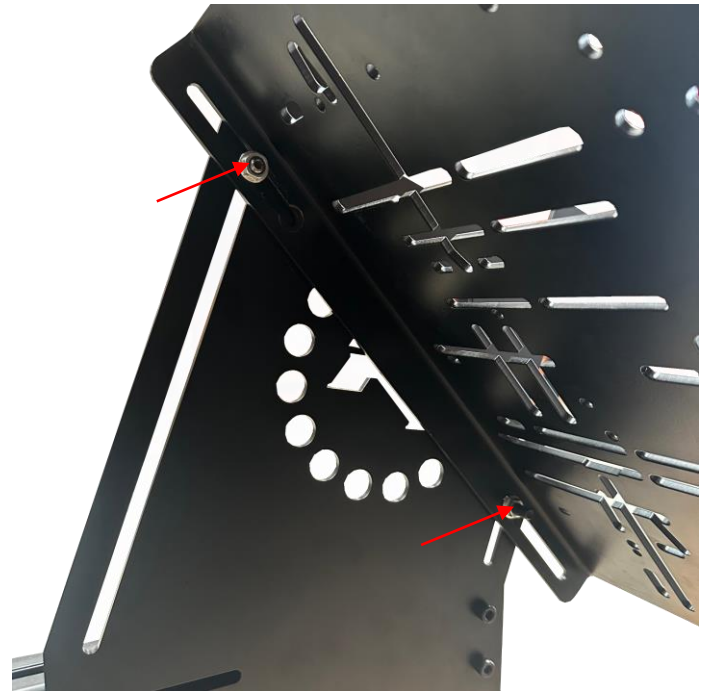




X12



X12



X4

X4