

# PWT-V COMMERCIAL FILTER

FIBREGLASS TANK WITH TOP MOUNT MPV



## FEATURED HIGHLIGHTS:

- Spun-woven, UV resistant fiberglass construction for exceptional strength, chemical resistance and long life.
- Max Operating Pressure 250kPa.
- Dual layers of Laterals.
- Hybrid 65mm/2.5" MPV with 80mm/3" barrel unions.
- 5 year commercial warranty (pro-rata).\*

The Pentair V Series satisfies the demand of different water treatment including pools installed with in-floor cleaning systems, spas, fountains and public swimming pools. The bobbin-wound fiberglass reinforced tank is the most popular standard in the industry. UV resistant and equipped with a six-position multi-port valve.

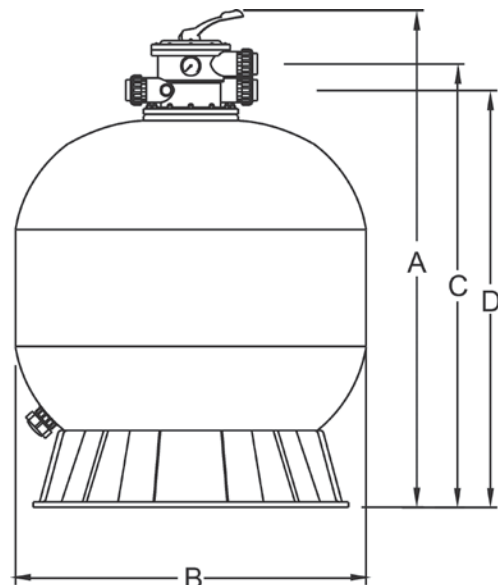
## ORDERING INFORMATION

Model	Product	Effective Filter Area (m <sup>2</sup> )	Valve Conn. (in.)	Max Flow Rate (m <sup>3</sup> /hr)	Backwash Flow Rate (m <sup>3</sup> /hr)	Sand Req'd (kg)	Gross Wt. (kg)
<b>SIDE-MOUNT FLANGED FILTERS</b>							
PWT-V-09-50	Vertical Filter Top-Mount Filter 0.9m dia. with MPV	0.64	2"50mm	31.2	22.4	470	90
PWT-V-10-80	Vertical Filter Top-Mount Filter 1.0m dia. with MPV	0.79	3"80mm	39.5	27.6	620	102
PWT-V-12-80	Vertical Filter Top-Mount Filter 1.2m dia. with MPV	1.13	3"80mm	56.5	39.5	860	114

Model	Glass Fine (kg)	Glass Coarse (kg)
<b>TOP-MOUNT MPV FILTERS</b>		
PWT-V-09-50	315	105
PWT-V-10-80	420	135
PWT-V-12-80	570	195

## DIMENSIONS

Model	A (mm)	B (mm)	C (mm)	D (mm)
<b>TOP-MOUNT MPV FILTERS</b>				
PWT-V-09-50	1300	900	1172	1090
PWT-V-10-80	1434	1000	1410	1160
PWT-V-12-80	1634	1200	1620	1368



\*Terms and conditions apply

See page 173 for replacement parts.

# PWT-S COMMERCIAL FILTER

## FIBREGLASS TANK WITH TOP MOUNT MPV



### FEATURED HIGHLIGHTS:

- Spun-woven, UV resistant fibreglass construction for exceptional strength, chemical resistance and long life.
- Max Operating Pressure 250kPa.
- Dual layers of Laterals.
- 2.5" (65mm) Barrel union connections.
- 5 year commercial warranty (pro-rata).\*

The Pentair S Series satisfies the demand of different water treatment including pools installed with in-floor cleaning systems, spas, fountains and public swimming pools. The bobbin-wound fibreglass reinforced tank is the most popular standard in the industry. UV resistant and equipped with a six-position multi-port valve.

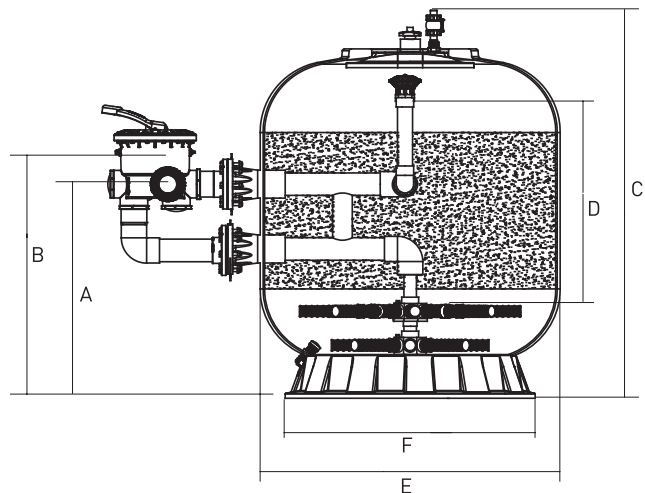
### ORDERING INFORMATION

Model	Product	Effective Filter Area (m <sup>2</sup> )	Valve Conn. (in.)	Max Flow Rate (m <sup>3</sup> /hr)	Backwash Flow Rate (m <sup>3</sup> /hr)	Sand Req'd (kg)	Gross Wt. (kg)
<b>SIDE-MOUNT MPV FILTERS</b>							
PWT-S-10-30	Side-Mount Filter 1.0m dia. 80mm MPV	0.82	3" /80mm	41	29	620	102
PWT-S-12-30	Side-Mount Filter 1.2m dia. 80mm MPV	1.17	3" /80mm	59	41	860	114

Model	Glass Fine (kg)	Glass Coarse (kg)
<b>SIDE-MOUNT MPV FILTERS</b>		
PWT-S-10-30	420	135
PWT-S-12-30	570	195

### DIMENSIONS

Model	A (mm)	B (mm)	C (mm)	D (mm)	E (mm)	F (mm)
<b>SIDE-MOUNT MPV FILTERS</b>						
PWT-S-10-30	773	844	1220	480	1020	780
PWT-S-12-30	836	1079	1410	640	1220	1000



\*All dimensions in mm.

# PWT-SDB COMMERCIAL FILTER

## DEEP BED FIBREGLASS TANK WITH SIDE-MOUNT MULTIPORT VALVE



### FEATURED HIGHLIGHTS:

- Spun-woven, UV resistant fiberglass construction for exceptional strength, chemical resistance and long life.
- Max Operating Pressure 250kPa.
- Dual layers of Laterals.
- 4" Sight Glass.
- Manhole for servicing.
- 50mm / 2" Drain.
- 5 year commercial warranty (pro-rata).\*

The Pentair Deep Bed Filters offer a more thorough filtration with a standard 1.0m or 1.2m deep sand bed. Giving high filtration performance for large domestic and commercial swimming pools.

### ORDERING INFORMATION

Model	Product	Effective Filter Area (m <sup>2</sup> )	Valve Conn. (in.)	Max Flow Rate (LPM)	Backwash Flow Rate (LPM)	Sand Req. (kg)	Carton Wt. (kg)
<b>SIDE-MOUNT DEEP BED FILTERS 1M SAND BED</b>							
PWT-SDB-10-07-20	Side-Mount Deep Bed Filter - 0.7m dia \ 1m Sand Bed \ 2" Vlv	0.38	2"	253	205	580	135
PWT-SDB-10-08-20	Side-Mount Deep Bed Filter - 0.8m dia \ 1m Sand Bed \ 2" Vlv	0.5	2"	333	270	769	170
PWT-SDB-10-09-20	Side-Mount Deep Bed Filter - 0.9m dia \ 1m Sand Bed \ 2" Vlv	0.63	2"	420	340	957	235
PWT-SDB-10-09-25	Side-Mount Deep Bed Filter - 0.9m dia \ 1m Sand Bed \ 2.5" Vlv	0.63	2.5"	525	340	957	240
PWT-SDB-10-10-20	Side-Mount Deep Bed Filter - 1.0m dia \ 1m Sand Bed \ 2" Vlv	0.78	2"	520	420	1204	284
PWT-SDB-10-10-25	Side-Mount Deep Bed Filter - 1.0m dia \ 1m Sand Bed \ 2.5" Vlv	0.78	2.5"	650	420	1204	290
<b>SIDE-MOUNT DEEP BED FILTERS 1.2M SAND BED</b>							
PWT-SDB-12-07-20	Side-Mount Deep Bed Filter - 0.7m dia \ 1.2m Sand Bed \ 2" Vlv	0.38	2"	253	205	696	150
PWT-SDB-12-08-20	Side-Mount Deep Bed Filter - 0.8m dia \ 1.2m Sand Bed \ 2" Vlv	0.5	2"	333	270	914	188
PWT-SDB-12-09-20	Side-Mount Deep Bed Filter - 0.9m dia \ 1.2m Sand Bed \ 2" Vlv	0.63	2"	420	340	1146	258
PWT-SDB-12-09-25	Side-Mount Deep Bed Filter - 0.9m dia \ 1.2m Sand Bed \ 2.5" Vlv	0.63	2.5"	525	340	1146	263
PWT-SDB-12-10-20	Side-Mount Deep Bed Filter - 1.0m dia \ 1.2m Sand Bed \ 2" Vlv	0.78	2"	520	420	1436	330
PWT-SDB-12-10-25	Side-Mount Deep Bed Filter - 1.0m dia \ 1.2m Sand Bed \ 2.5" Vlv	0.78	2.5"	650	420	1436	336

\*Terms and conditions apply

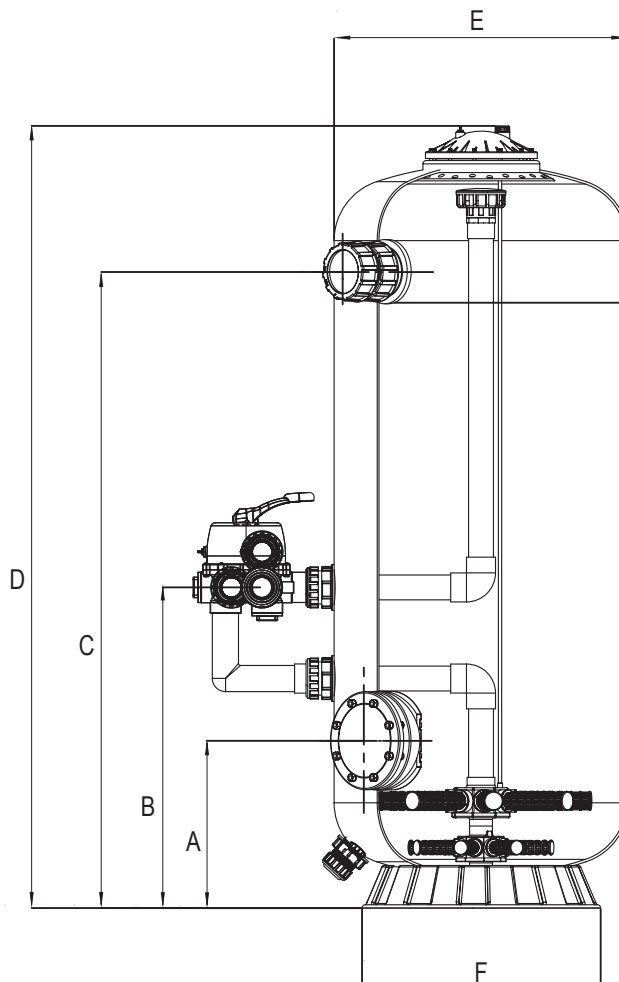
# PWT-SDB COMMERCIAL FILTER

## DEEP BED FIBREGLASS TANK WITH SIDE-MOUNT MULTIPORT VALVE

Model	Glass Fine (kg)	Glass Coarse (kg)	A (mm)	B (mm)	C (mm)	D (mm)	E (mm)	F (mm)
<b>SIDE-MOUNT DEEP BED FILTERS 1M SAND BED</b>								
PWT-SDB-10-07-20	375	135	510	750	1270	1672	700	680
PWT-SDB-10-08-20	510	180	510	750	1270	1702	800	740
PWT-SDB-10-09-20	645	210	515	870	1270	1735	900	860
PWT-SDB-10-09-25	645	210	515	834	1270	1735	900	860
PWT-SDB-10-10-20	810	270	515	870	1270	1813	1000	960
PWT-SDB-10-10-25	810	270	515	1033	1270	1813	1000	960
<b>SIDE-MOUNT DEEP BED FILTERS 1.2M SAND BED</b>								
PWT-SDB-12-07-20	465	150	510	750	1470	1872	700	680
PWT-SDB-12-08-20	600	210	510	750	1470	1902	800	740
PWT-SDB-12-09-20	765	255	515	870	1470	1935	900	860
PWT-SDB-12-09-25	765	255	515	834	1470	1935	900	860
PWT-SDB-12-10-20	960	330	515	870	1470	2013	1000	960
PWT-SDB-12-10-25	960	330	515	1033	1470	2013	1000	960

\*All dimensions in mm.

### DIMENSIONS



See page 175 for replacement parts.

# PWT-E & K COMMERCIAL FILTERS

FIBREGLASS TANK WITH SIDE-MOUNT FLANGES



## FEATURED HIGHLIGHTS:

- Spun-woven, UV resistant fiberglass construction for exceptional strength, chemical resistance and long life.
- Max Operating Pressure 250kPa or 400kPa.
- Dual layers of Laterals.
- 4" Sight Glass.
- Available with lateral or nozzle system.
- Union Drain.
- 50m<sup>3</sup>/m<sup>2</sup>/hr filtration rate (40m<sup>3</sup>/m<sup>2</sup>/hr for deep bed).
- 5 year commercial warranty (pro-rata)\*

The Pentair E&K Series satisfies the demand of different water treatment including pools installed with in-floor cleaning systems, spas, fountains and public swimming pools.

## ORDERING INFORMATION

Model 250kPa (Laterals / Nozzles)	Model 400kPa (Lateral / Nozzles)	Product	Effective Filter Area (m <sup>2</sup> )	Valve Conn. (in.)	Max Flow Rate (m <sup>3</sup> /hr)	Bckwsh Flow Rate (m <sup>3</sup> /hr)	Sand Req'd (kg)	Gravel Req'd (kg)
<b>SIDE-MOUNT FLANGED FILTERS (1.0m Sand Bed Depth)</b>								
PWT-E-12-25(L/N)	PWT-E-12-40(L/N)	Side-Mount Flanged Filter 1.2m dia.	1.13	3"	56.5	40	1470	380
PWT-E-14-25(L/N)	PWT-E-14-40(L/N)	Side-Mount Flanged Filter 1.4m dia.	1.54	4"	77	54	1980	410
PWT-E-16-25(L/N)	PWT-E-16-40(L/N)	Side-Mount Flanged Filter 1.6m dia.	2.01	4"	100.5	70	2610	500
PWT-E-18-25(L/N)	PWT-E-18-40(L/N)	Side-Mount Flanged Filter 1.8m dia.	2.54	6"	127	89	3310	620
PWT-E-20-25(L/N)	PWT-E-20-40(L/N)	Side-Mount Flanged Filter 2.0m dia.	3.14	6"	157	110	4030	730
PWT-E-22-25(L/N)	PWT-E-22-40(L/N)	Side-Mount Flanged Filter 2.2m dia.	3.80	8"	190	133	4940	1440
<b>SIDE-MOUNT DEEP BED FLANGED FILTERS (1.2m Sand Bed Depth)</b>								
PWT-K-12-25(L/N)	PWT-K-12-40(L/N)	Side-Mount Deep Bed Flanged Filter 1.2m dia.	1.13	3"	45	40	1500	300
PWT-K-14-25(L/N)	PWT-K-14-40(L/N)	Side-Mount Deep Bed Flanged Filter 1.4m dia.	1.54	4"	61	54	2250	450
PWT-K-16-25(L/N)	PWT-K-16-40(L/N)	Side-Mount Deep Bed Flanged Filter 1.6m dia.	2.01	4"	80	70	2900	700
PWT-K-18-25(L/N)	PWT-K-18-40(L/N)	Side-Mount Deep Bed Flanged Filter 1.8m dia.	2.54	6"	101	89	3200	900
PWT-K-20-25(L/N)	PWT-K-20-40(L/N)	Side-Mount Deep Bed Flanged Filter 2.0m dia.	3.14	6"	125	110	4300	1100
PWT-K-23-25(L/N)	PWT-K-23-40(L/N)	Side-Mount Deep Bed Flanged Filter 2.3m dia.	4.43	8"	175	155	7600	1600
PWT-K-25-25(L/N)	PWT-K-25-40(L/N)	Side-Mount Deep Bed Flanged Filter 2.5m dia.	4.9	8"	200	171	8600	1800

\*Terms and conditions apply

# PWT-E & K COMMERCIAL FILTERS

## FIBREGLASS TANK WITH SIDE-MOUNT FLANGES

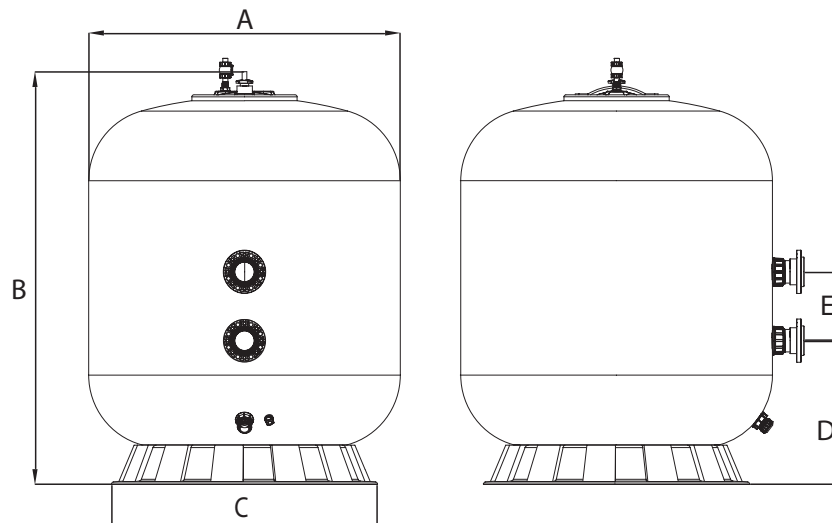


Product	Description
Multiport Valves for E and K Series Filters	
PWT-NBV-30-4	4-Way Butterfly Valve 3" Ports
PWT-NBV-40-4	4-Way Butterfly Valve 4" Ports
PWT-NBV-60-4	4-Way Butterfly Valve 6" Ports
PWT-NBV-80-4	4-Way Butterfly Valve 8" Ports
PWT-NBV-30-5	5-Way Butterfly Valve 3" Ports
PWT-NBV-40-5	5-Way Butterfly Valve 4" Ports
PWT-NBV-60-5	5-Way Butterfly Valve 6" Ports
PWT-NBV-80-5	5-Way Butterfly Valve 8" Ports
PWT-MPV-30-6	6-Way Multiport Valve 3" Ports
PWT-MPV-40-6	6-Way Multiport Valve 4" Ports
PWT-MPV-30-6P	6-Way Multiport Valve 3" Ports, (with piping)
PWT-MPV-40-6P	6-Way Multiport Valve 4" Ports, (with piping)

### DIMENSIONS

Model	A (mm)	B (mm)	C (mm)	D (mm)	E (mm)	Gross Weight (kg)
SIDE-MOUNT FLANGED FILTERS						
PWT-E-12	1200	1816	995	630	1180	139
PWT-E-14	1400	1816	1220	630	1180	225
PWT-E-16	1600	1916	1365	720	1210	274
PWT-E-18	1800	1956	1630	750	1190	412
PWT-E-20	2000	2060	1630	770	1260	450
PWT-E-22	2200	2376	1800	940	1440	440

Model	A (mm)	B (mm)	C (mm)	D (mm)	E (mm)	Gross Weight (kg)
SIDE-MOUNT DEEP BED FLANGED FILTERS						
PWT-K-12	1200	2080	995	565	350	307
PWT-K-14	1400	2175	1220	565	350	369
PWT-K-16	1600	2310	1365	650	350	494
PWT-K-18	1800	2320	1630	690	415	644
PWT-K-20	2000	2460	1630	770	415	746
PWT-K-23	2350	2720	1800	950	550	1078
PWT-K-25	2500	2750	1800	1050	550	1176



\*All dimensions in mm.  
See page 176 for replacement parts.

# PWT-H COMMERCIAL FILTER

## HORIZONTAL FIBREGLASS TANK WITH SIDE FLANGES



### FEATURED HIGHLIGHTS:

- Spun-woven, UV resistant fibreglass construction for exceptional strength, chemical resistance and long life.
- Max Operating Pressure 250kPa or 400kPa.
- Even spreads of laterals.
- 4" Sight Glass.
- Manhole for servicing.
- Union Drain.
- Air vent valve.
- In-built Manometer.
- 5 year commercial warranty (pro-rata).\*



The Pentair Horizontal Filters are suitable for high demand in filtration surface area, especially for commercial purposes. With long life and minimal servicing. Suitable for large scale water features, aquarium and commercial pool.

### ORDERING INFORMATION

Model (250kPa)	Model (400 kPa)	Product	Effective Filter Area (m <sup>2</sup> )	Valve Conn.	Max Flow Rate (m <sup>3</sup> /hr)	Gravel 1-2mm (kg)	Sand 0.5-0.8mm (kg)
<b>HORIZONTAL FILTERS 1.2M DIAMETER 0.6M SAND BED DEPTH</b>							
PWT-H-12-19-4-25	PWT-H-12-19-4-40	Horizontal Fibreglass Filter 1.2m x 1.9m (4")	1.96	4"	39	425	1100
PWT-H-12-19-6-25	PWT-H-12-19-6-40	Horizontal Fibreglass Filter 1.2m x 1.9m (6")	1.96	6"	79	425	1100
PWT-H-12-23-4-25	PWT-H-12-23-4-40	Horizontal Fibreglass Filter 1.2m x 2.3m (4")	2.42	4"	48	550	1425
PWT-H-12-23-6-25	PWT-H-12-23-6-40	Horizontal Fibreglass Filter 1.2m x 2.3m (6")	2.42	6"	97	550	1425
PWT-H-12-25-4-25	PWT-H-12-25-4-40	Horizontal Fibreglass Filter 1.2m x 2.5m (4")	2.65	4"	53	700	1750
PWT-H-12-25-6-25	PWT-H-12-25-6-40	Horizontal Fibreglass Filter 1.2m x 2.5m (6")	2.65	6"	107	700	1750
PWT-H-12-27-4-25	PWT-H-12-27-4-40	Horizontal Fibreglass Filter 1.2m x 2.7m (4")	2.87	4"	57	825	2075
PWT-H-12-27-6-25	PWT-H-12-27-6-40	Horizontal Fibreglass Filter 1.2m x 2.7m (6")	2.87	6"	115	825	2075
PWT-H-12-30-4-25	PWT-H-12-30-4-40	Horizontal Fibreglass Filter 1.2m x 3.0m (4")	3.21	4"	64	925	2325
PWT-H-12-30-6-25	PWT-H-12-30-6-40	Horizontal Fibreglass Filter 1.2m x 3.0m (6")	3.21	6"	129	925	2325

\*Terms and conditions apply



# PWT-H COMMERCIAL FILTER

## HORIZONTAL FIBREGLASS TANK WITH SIDE FLANGES

Model (250kPa)	Model (400 kPa)	Product	Effective Filter Area (m <sup>2</sup> )	Valve Conn.	Max Flow Rate (m <sup>3</sup> /hr)	Gravel 1-2mm (kg)	Sand 0.5-0.8mm (kg)
<b>HORIZONTAL FILTERS 1.4M DIAMETER 0.8M SAND BED DEPTH</b>							
PWT-H-14-19-4-25	PWT-H-14-19-4-40	Horizontal Fibreglass Filter 1.4m x 1.9m (4")	2.23	4"	45	575	2100
PWT-H-14-19-6-25	PWT-H-14-19-6-40	Horizontal Fibreglass Filter 1.4m x 1.9m (6")	2.23	6"	89	575	2100
PWT-H-14-25-4-25	PWT-H-14-25-4-40	Horizontal Fibreglass Filter 1.4m x 2.5m (4")	3.02	4"	60	800	2825
PWT-H-14-25-6-25	PWT-H-14-25-6-40	Horizontal Fibreglass Filter 1.4m x 2.5m (6")	3.02	6"	121	800	2825
PWT-H-14-30-4-25	PWT-H-14-30-4-40	Horizontal Fibreglass Filter 1.4m x 3.0m (4")	3.67	4"	73	1000	3450
PWT-H-14-30-6-25	PWT-H-14-30-6-40	Horizontal Fibreglass Filter 1.4m x 3.0m (6")	3.67	6"	110	1000	3450
PWT-H-14-30-8-25	PWT-H-14-30-8-40	Horizontal Fibreglass Filter 1.4m x 3.0m (8")	3.67	8"	147	1000	3450
<b>HORIZONTAL FILTERS 1.6M DIAMETER 1.0M SAND BED DEPTH</b>							
PWT-H-16-19-4-25	PWT-H-16-19-4-40	Horizontal Fibreglass Filter 1.6m x 1.9m (4")	2.47	4"	49	600	2850
PWT-H-16-19-6-25	PWT-H-16-19-6-40	Horizontal Fibreglass Filter 1.6m x 1.9m (6")	2.47	6"	99	600	2850
PWT-H-16-25-6-25	PWT-H-16-25-6-40	Horizontal Fibreglass Filter 1.6m x 2.5m (6")	3.36	6"	101	850	3875
PWT-H-16-25-8-25	PWT-H-16-25-8-40	Horizontal Fibreglass Filter 1.6m x 2.5m (8")	3.36	8"	134	850	3875
PWT-H-16-30-6-25	PWT-H-16-30-6-40	Horizontal Fibreglass Filter 1.6m x 3.0m (6")	4.1	6"	123	1050	4750
PWT-H-16-30-8-25	PWT-H-16-30-8-40	Horizontal Fibreglass Filter 1.6m x 3.0m (8")	4.1	8"	164	1050	4750
<b>HORIZONTAL FILTERS 1.8M DIAMETER 1.0M SAND BED DEPTH</b>							
PWT-H-18-25-6-25	PWT-H-18-25-6-40	Horizontal Fibreglass Filter 1.8m x 2.5m (6")	3.74	6"	112	975	4850
PWT-H-18-25-8-25	PWT-H-18-25-8-40	Horizontal Fibreglass Filter 1.8m x 2.5m (8")	3.74	8"	150	975	4850
PWT-H-18-30-6-25	PWT-H-18-30-6-40	Horizontal Fibreglass Filter 1.8m x 3.0m (6")	4.58	6"	137	1225	5925
PWT-H-18-30-8-25	PWT-H-18-30-8-40	Horizontal Fibreglass Filter 1.8m x 3.0m (8")	4.58	8"	183	1225	5925
PWT-H-18-35-8-25	PWT-H-18-35-8-40	Horizontal Fibreglass Filter 1.8m x 3.5m (8")	5.41	8"	162	1475	7000
PWT-H-18-35-10-25	PWT-H-18-35-10-40	Horizontal Fibreglass Filter 1.8m x 3.5m (10")	5.41	10"	216	1475	7000
PWT-H-18-40-6-25	PWT-H-18-40-6-40	Horizontal Fibreglass Filter 1.8m x 4.0m (6")	6.25	6"	125	1700	8075
PWT-H-18-40-8-25	PWT-H-18-40-8-40	Horizontal Fibreglass Filter 1.8m x 4.0m (8")	6.25	8"	187	1700	8075
PWT-H-18-40-10-25	PWT-H-18-40-10-40	Horizontal Fibreglass Filter 1.8m x 4.0m (10")	6.25	10"	250	1700	8075
<b>HORIZONTAL FILTERS 2.0M DIAMETER 1.2M SAND BED DEPTH</b>							
PWT-H-20-25-6-25	PWT-H-20-25-6-40	Horizontal Fibreglass Filter 2.0m x 2.5m (6")	4.34	6"	130	1050	6575
PWT-H-20-25-8-25	PWT-H-20-25-8-40	Horizontal Fibreglass Filter 2.0m x 2.5m (8")	4.34	8"	174	1050	6575
PWT-H-20-30-6-25	PWT-H-20-30-6-40	Horizontal Fibreglass Filter 2.0m x 3.0m (6")	5.3	6"	159	1300	8025
PWT-H-20-30-8-25	PWT-H-20-30-8-40	Horizontal Fibreglass Filter 2.0m x 3.0m (8")	5.3	8"	212	1300	8025
PWT-H-20-35-6-25	PWT-H-20-35-6-40	Horizontal Fibreglass Filter 2.0m x 3.5m (6")	6.25	6"	125	1550	9475
PWT-H-20-35-8-25	PWT-H-20-35-8-40	Horizontal Fibreglass Filter 2.0m x 3.5m (8")	6.25	8"	187	1550	9475
PWT-H-20-35-10-25	PWT-H-20-35-10-40	Horizontal Fibreglass Filter 2.0m x 3.5m (10")	6.25	10"	250	1550	9475
PWT-H-20-40-6-25	PWT-H-20-40-6-40	Horizontal Fibreglass Filter 2.0m x 4.0m (6")	7.21	6"	144	1800	10925
PWT-H-20-40-8-25	PWT-H-20-40-8-40	Horizontal Fibreglass Filter 2.0m x 4.0m (8")	7.21	8"	216	1800	10925
PWT-H-20-40-10-25	PWT-H-20-40-10-40	Horizontal Fibreglass Filter 2.0m x 4.0m (10")	7.21	10"	288	1800	10925
PWT-H-20-45-8-25	PWT-H-20-45-8-40	Horizontal Fibreglass Filter 2.0m x 4.5m (8")	8.16	8"	163	2075	12375
PWT-H-20-45-10-25	PWT-H-20-45-10-40	Horizontal Fibreglass Filter 2.0m x 4.5m (10")	8.16	10"	326	2075	12375
PWT-H-20-50-10-25	PWT-H-20-50-10-40	"Horizontal Fibreglass Filter 2.0m x 5.0m (10")"	9.11	10"	364	2350	13825

\*All dimensions in mm.



# PWT-H COMMERCIAL FILTER

## HORIZONTAL FIBREGLASS TANK WITH SIDE FLANGES

Model (250kPa)	Model (400 kPa)	Product	Effective Filter Area (m <sup>2</sup> )	Valve Conn.	Max Flow Rate (m <sup>3</sup> /hr)	Gravel 1-2mm (kg)	Sand 0.5-0.8mm (kg)
<b>HORIZONTAL FILTERS 2.35M DIAMETER 1.2M SAND BED DEPTH</b>							
PWT-H-23-30-6-25	PWT-23-30-6-40	Horizontal Fibreglass Filter 2.35m x 3.0m (6")	5.94	6"	119	2575	9300
PWT-H-23-30-8-25	PWT-23-30-8-40	Horizontal Fibreglass Filter 2.35m x 3.0m (8")	5.94	8"	178	2575	9300
PWT-H-23-30-10-25	PWT-23-30-10-40	Horizontal Fibreglass Filter 2.35m x 3.0m (10")	5.94	10"	238	2575	9300
PWT-H-23-35-6-25	PWT-23-35-6-40	Horizontal Fibreglass Filter 2.35m x 3.5m (6")	7.06	6"	141	3125	11050
PWT-H-23-35-8-25	PWT-23-35-8-40	Horizontal Fibreglass Filter 2.35m x 3.5m (8")	7.06	8"	212	3125	11050
PWT-H-23-35-10-25	PWT-23-35-10-40	Horizontal Fibreglass Filter 2.35m x 3.5m (10")	7.06	10"	282	3125	11050
PWT-H-23-40-8-25	PWT-23-40-8-40	Horizontal Fibreglass Filter 2.35m x 4.0m (8")	8.17	8"	163	3650	12800
PWT-H-23-40-10-25	PWT-23-40-10-40	Horizontal Fibreglass Filter 2.35m x 4.0m (10")	8.17	10"	327	3650	12800
PWT-H-23-45-8-25	PWT-23-45-8-40	Horizontal Fibreglass Filter 2.35m x 4.5m (8")	9.28	8"	186	4200	14525
PWT-H-23-45-10-25	PWT-23-45-10-40	Horizontal Fibreglass Filter 2.35m x 4.5m (10")	9.28	10"	371	4200	14525
PWT-H-23-50-8-25	PWT-23-50-8-40	Horizontal Fibreglass Filter 2.35m x 5.0m (8")	10.4	8"	208	4750	16250
PWT-H-23-50-10-25	PWT-23-50-10-40	Horizontal Fibreglass Filter 2.35m x 5.0m (10")	10.4	10"	312	4750	16250
PWT-H-23-50-12-25	PWT-23-50-12-40	Horizontal Fibreglass Filter 2.35m x 5.0m (12")	10.4	12"	416	4750	16250
<b>HORIZONTAL FILTERS 2.5M DIAMETER 1.3M SAND BED DEPTH</b>							
PWT-H-25-35-6-25	PWT-25-35-6-40	Horizontal Fibreglass Filter 2.5m x 3.5m (6")	7.34	6"	149	3175	11675
PWT-H-25-35-8-25	PWT-25-35-8-40	Horizontal Fibreglass Filter 2.5m x 3.5m (8")	7.34	8"	223	3175	11675
PWT-H-25-35-10-25	PWT-25-35-10-40	Horizontal Fibreglass Filter 2.5m x 3.5m (10")	7.34	10"	297	3175	11675
PWT-H-25-40-8-25	PWT-25-40-8-40	Horizontal Fibreglass Filter 2.5m x 4.0m (8")	8.62	8"	172	3725	13500
PWT-H-25-40-10-25	PWT-25-40-10-40	Horizontal Fibreglass Filter 2.5m x 4.0m (10")	8.62	10"	345	3725	13500
PWT-H-25-45-8-25	PWT-25-45-8-40	Horizontal Fibreglass Filter 2.5m x 4.5m (8")	9.8	8"	196	4300	15350
PWT-H-25-45-10-25	PWT-25-45-10-40	Horizontal Fibreglass Filter 2.5m x 4.5m (10")	9.8	10"	294	4300	15350
PWT-H-25-45-12-25	PWT-25-45-12-40	Horizontal Fibreglass Filter 2.5m x 4.5m (12")	9.8	12"	392	4300	15350
PWT-H-25-50-8-25	PWT-25-50-8-40	Horizontal Fibreglass Filter 2.5m x 5.0m (8")	10.98	8"	220	4850	17200
PWT-H-25-50-10-25	PWT-25-50-10-40	Horizontal Fibreglass Filter 2.5m x 5.0m (10")	10.98	10"	329	4850	17200
PWT-H-25-50-12-25	PWT-25-50-12-40	Horizontal Fibreglass Filter 2.5m x 5.0m (12")	10.98	12"	439	4850	17200
<b>HORIZONTAL FILTERS 3.0M DIAMETER 1.5M SAND BED DEPTH</b>							
PWT-H-30-35-8-25	PWT-30-35-8-40	Horizontal Fibreglass Filter 3.0m x 3.5m (8")	8.98	8"	180	4525	17850
PWT-H-30-35-10-25	PWT-30-35-10-40	Horizontal Fibreglass Filter 3.0m x 3.5m (10")	8.98	10"	270	4525	17850
PWT-H-30-35-12-25	PWT-30-35-12-40	Horizontal Fibreglass Filter 3.0m x 3.5m (12")	8.98	12"	360	4525	17850
PWT-H-30-40-8-25	PWT-30-40-8-40	Horizontal Fibreglass Filter 3.0m x 4.0m (8")	10.4	8"	208	5300	20675
PWT-H-30-40-10-25	PWT-30-40-10-40	Horizontal Fibreglass Filter 3.0m x 4.0m (10")	10.4	10"	312	5300	20675
PWT-H-30-40-12-25	PWT-30-40-12-40	Horizontal Fibreglass Filter 3.0m x 4.0m (12")	10.4	12"	416	5300	20675
PWT-H-30-45-8-25	PWT-30-45-8-40	Horizontal Fibreglass Filter 3.0m x 4.5m (8")	11.82	8"	236	6100	23500
PWT-H-30-45-10-25	PWT-30-45-10-40	Horizontal Fibreglass Filter 3.0m x 4.5m (10")	11.82	10"	355	6100	23500
PWT-H-30-45-12-25	PWT-30-45-12-40	Horizontal Fibreglass Filter 3.0m x 4.5m (12")	11.82	12"	473	6100	23500
PWT-H-30-50-8-25	PWT-30-50-8-40	Horizontal Fibreglass Filter 3.0m x 5.0m (8")	13.24	8"	265	6875	26300
PWT-H-30-50-10-25	PWT-30-50-10-40	Horizontal Fibreglass Filter 3.0m x 5.0m (10")	13.24	10"	397	6875	26300
PWT-H-30-50-12-25	PWT-30-50-12-40	Horizontal Fibreglass Filter 3.0m x 5.0m (12")	13.24	12"	530	6875	26300

# PWT-H COMMERCIAL FILTER

## HORIZONTAL FIBREGLASS TANK WITH SIDE FLANGES

### DIMENSIONS

Model	B (mm)	C (mm)	D (mm)	E (mm)	F (mm)	H (mm)	J (mm)	2.5 bar Weight (kg)	4 bar Weight (kg)
<b>HORIZONTAL FILTERS 1.2M DIAMETER 0.6M SAND BED DEPTH</b>									
PWT-H-12-19	747	325	1200	1100	1190	1900	1500	270	353
PWT-H-12-23	747	325	1200	1100	1590	2300	1500	324	418
PWT-H-12-25	747	325	1200	1100	1790	2500	1500	354	453
PWT-H-12-27	747	325	1200	1100	1990	2700	1500	382	438
PWT-H-12-30	747	325	1200	1100	2290	3000	1500	431	542
<b>HORIZONTAL FILTERS 1.4M DIAMETER 0.8M SAND BED DEPTH</b>									
PWT-H-14-19	847	390	1400	1130	1340	1900	1700	360	461
PWT-H-14-25	847	390	1400	1130	1840	2500	1700	413	532
PWT-H-14-30	847	390	1400	1130	2340	3000	1700	522	657
<b>HORIZONTAL FILTERS 1.6M DIAMETER 1.0M SAND BED DEPTH</b>									
PWT-H-16-19	945	475	1600	1440	1210	1900	1900	414	535
PWT-H-16-25	945	475	1600	1440	1710	2500	1900	516	658
PWT-H-16-30	945	475	1800	1440	2210	3000	1900	611	771
<b>HORIZONTAL FILTERS 1.8M DIAMETER 1.0M SAND BED DEPTH</b>									
PWT-H-18-25	1100	550	1800	1380	1560	2500	2170	570	777
PWT-H-18-30	1100	550	1800	1380	2060	3000	2170	701	888
PWT-H-18-35	1100	550	1800	1380	2560	3500	2170	811	1020
PWT-H-18-40	1100	550	1800	1380	3060	4000	2170	912	1140
<b>HORIZONTAL FILTERS 2.0M DIAMETER 1.2M SAND BED DEPTH</b>									
PWT-H-20-25	1200	710	2000	1720	1380	2500	2370	710	906
PWT-H-20-30	1200	710	2000	1720	1880	3000	2370	804	1024
PWT-H-20-35	1200	710	2000	1720	2380	3500	2370	898	1140
PWT-H-20-40	1200	710	2000	1720	2880	4000	2370	1001	1265
PWT-H-20-45	1200	710	2000	1720	3380	4500	2370	1093	1380
PWT-H-20-50	1200	710	2000	1720	3880	5000	2370	1200	1500
<b>HORIZONTAL FILTERS 2.35M DIAMETER 1.2M SAND BED DEPTH</b>									
PWT-H-23-30	1390	710	2350	1950	1270	3000	2730	920	1195
PWT-H-23-35	1390	710	2350	1950	1770	3500	2730	1035	1335
PWT-H-23-40	1390	710	2350	1950	2270	4000	2730	1178	1505
PWT-H-23-45	1390	710	2350	1950	2770	4500	2730	1362	1715
PWT-H-23-50	1390	710	2350	1950	3270	5000	2730	1562	1942
<b>HORIZONTAL FILTERS 2.5M DIAMETER 1.3M SAND BED DEPTH</b>									
PWT-H-25-35	1480	710	2500	2120	1850	3500	2900	1075	1403
PWT-H-25-40	1480	710	2500	2120	2350	4000	2900	1363	1587
PWT-H-25-45	1480	710	2500	2120	2850	4500	2900	1442	1812
PWT-H-25-50	1480	710	2500	2120	3350	5000	2900	1610	2022
<b>HORIZONTAL FILTERS 3.0M DIAMETER 1.5M SAND BED DEPTH</b>									
PWT-H-30-35	1730	710	3000	2600	1880	3500	3410	1386	1783
PWT-H-30-40	1730	710	3000	2600	2380	4000	3410	1582	2012
PWT-H-30-45	1730	710	3000	2600	2880	4500	3410	1777	2240
PWT-H-30-50	1730	710	3000	2600	3380	5000	3410	1972	2470

\*All dimensions in mm.

# PWT-H COMMERCIAL FILTER

HORIZONTAL FIBREGLASS TANK WITH SIDE FLANGES

