

# 5PSP SERIES

## COMMERCIAL HIGH PERFORMANCE POOL PUMPS



### FEATURED HIGHLIGHTS:

- New improved design and additional 12.5Hp model.
- Especially designed for swimming pool, aquatic and aquaculture applications.
- Seawater approved up to 4% salt concentration.
- Large pre-filter.
- Injection molded components of high quality glass-reinforced thermoplastic.
- CE & TUV Approved, IP55 protected, IE2 compliant TEFC motor.
- Corrosion resistant, high grade stainless steel motor shaft.
- Metric and imperial connections available.
- High chemical resistance with all metal internal components being stainless steel.
- 4"/100mm suction, 3"/80mm discharge (4"/100mm discharge on 7.5, 10 and 12hp).
- 1 year commercial warranty.\*

PENTAIR Thermoplastic Centrifugal Pumps are self priming, single stage, close-coupled (Pump with built-in electric motor, with the motor drive and pump impeller on the same shaft), monoblock centrifugal pumps with closed impeller and mechanical seals.

These pumps are suitable for non-aggressive, non-explosive, clean or slightly contaminated liquids with low viscosity and specially designed for the pre-filtering and re-circulation of water in swimming pools, fish farming and other general purposes.

### ORDERING INFORMATION

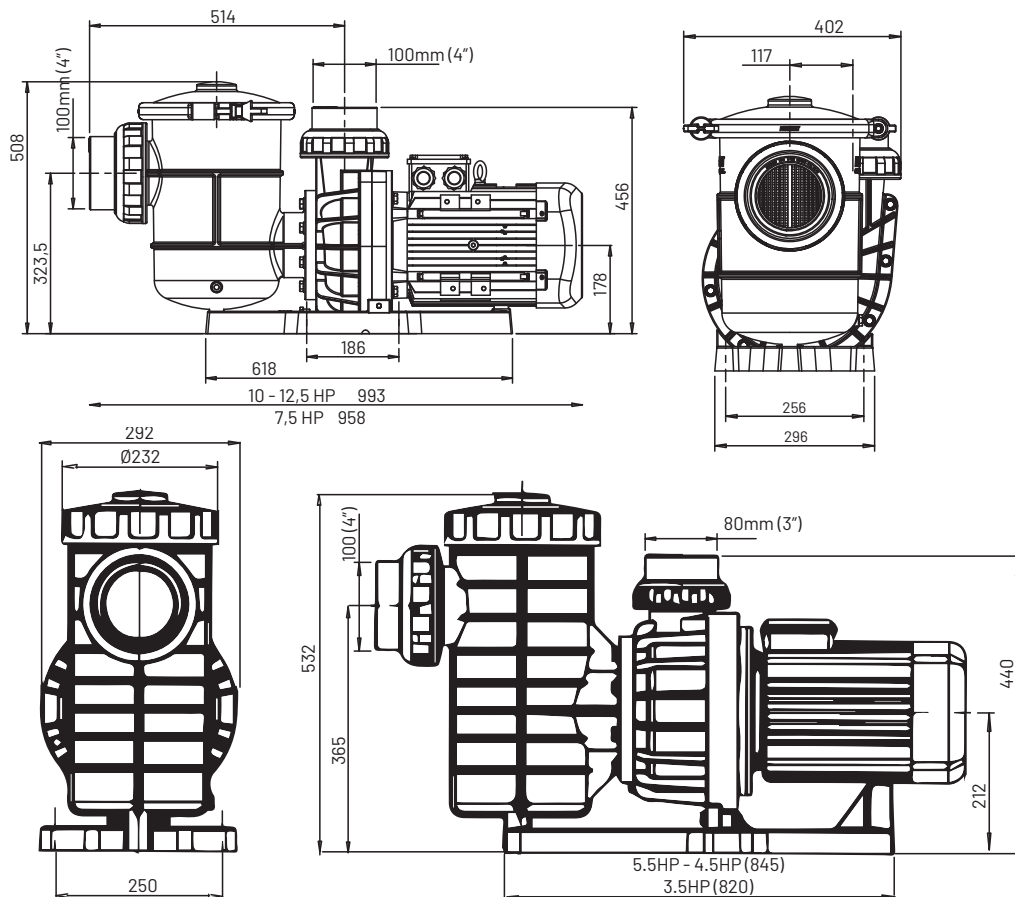
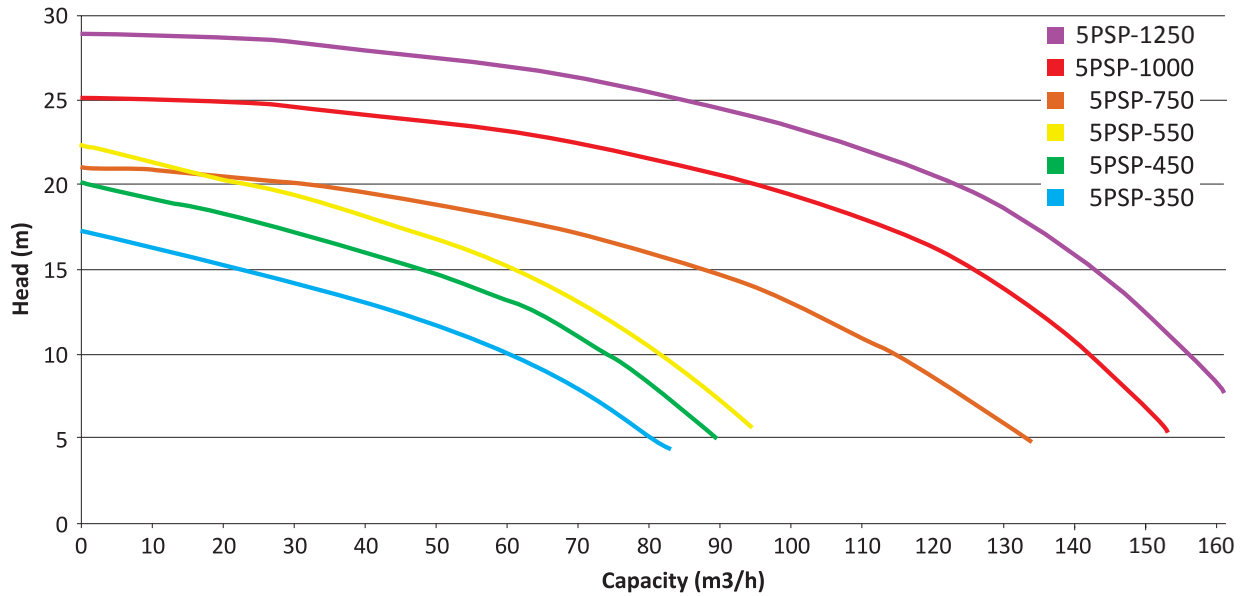
Part	Model	Voltage (VAC)	Max Phase Current (A)	Nominal Power (hp)	Input Power (P <sub>i</sub> , kW)	Output Power (P <sub>2</sub> , kW)	Carton Dim. (mm)	Carton Weight (Kg.)
<b>3-PHASE Y CONFIGURATION WITH PRE-FILTER</b>								
5PSP-350-3U	5PSP 3.5hp With Strainer	400-415	7.1	3.5	2.68	2.27	860x375x600	30
5PSP-450-3U	5PSP 4.5hp With Strainer	400-415	9.7	4.5	3.66	3.14	860x375x600	41
5PSP-550-3U	5PSP 5.5hp With Strainer	400-415	11.2	5.5	4.28	3.67	860x375x600	41
<b>3-PHASE Y/DELTA CONFIGURATION WITH PRE-FILTER</b>								
5PSP-750-3V2U	5PSP 7.5hp With Strainer	400-415	17.6	7.5	6.71	5.90	960x450x770	84
5PSP-1000-3V2U	5PSP 10hp With Strainer	400-415	22.7	10	8.65	7.56	960x450x770	90
5PSP-1250-3V2U	5PSP 12.5hp With Strainer	400-415	28.5	12.5	11.25	10.0	960x450x770	94

\*Terms and conditions apply

# 5PSP SERIES

## COMMERCIAL HIGH PERFORMANCE POOL PUMPS

### DIMENSIONS AND PERFORMANCE\*



\*All dimensions in mm.  
See page 156-158 for replacement parts.