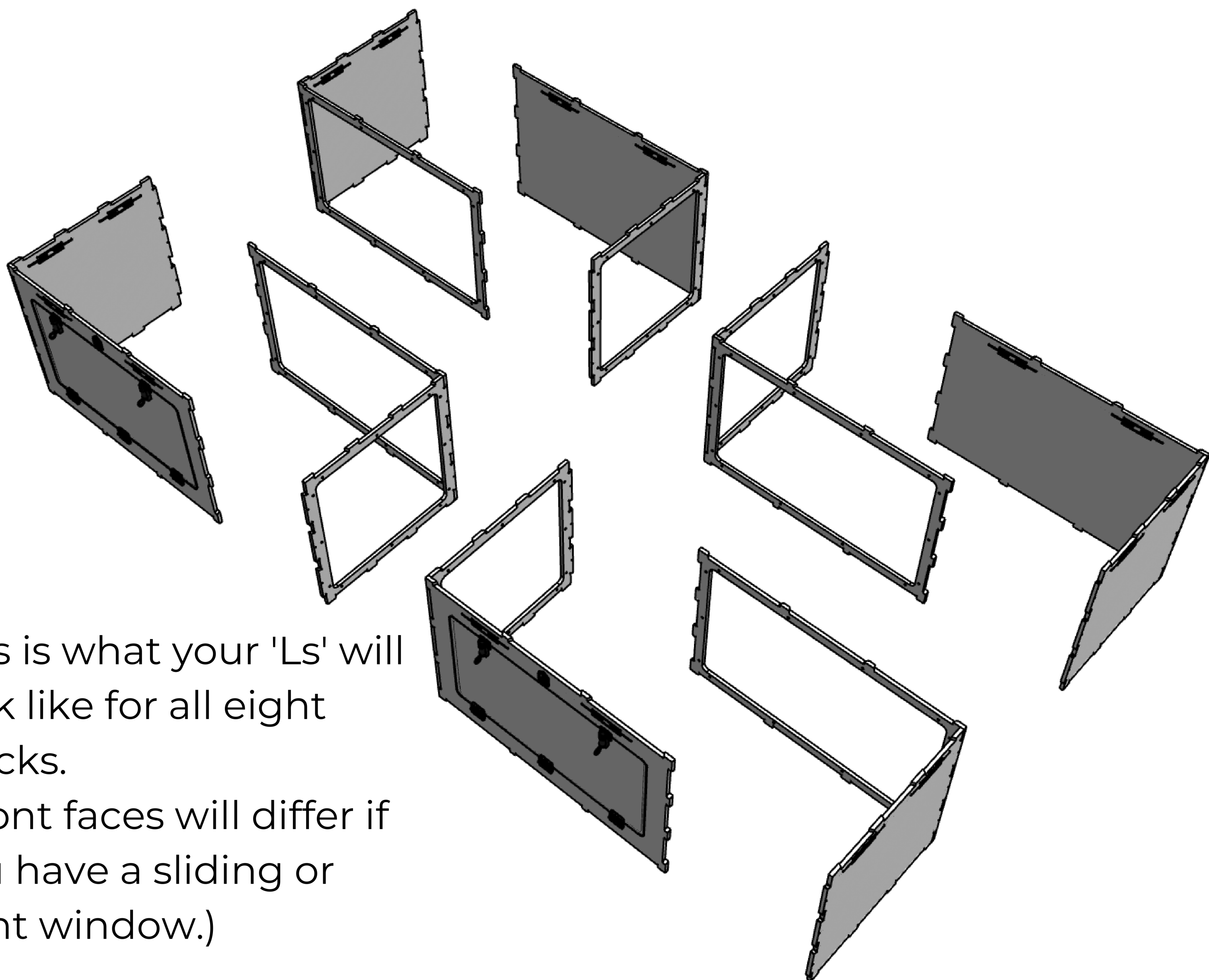


Eight Block Enclosure Assembly:

1) Watch the original assembly video/download the PDF on:
www.apexcages.com/assembly

2) You will have to assemble 8 blocks this way with different combinations of extensions and solid pieces, the only difference being, when you screw your enclosure blocks together leave out the middle screws on any pieces that connect to an extension/passthrough piece. You will be bolting the extension pieces and that screw will get in the way.

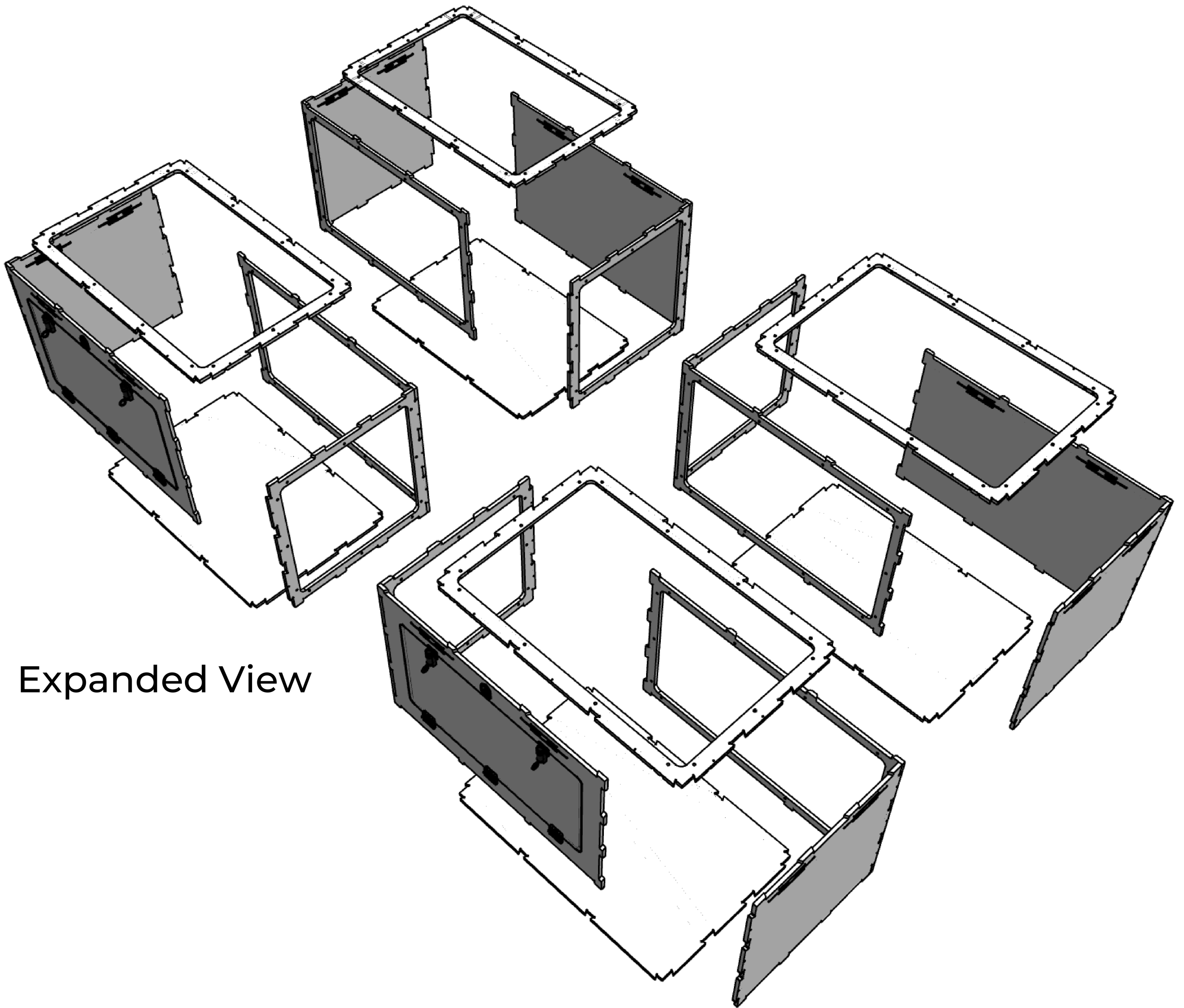
3) Make sure to identify your front door/window pieces. If you have **swing down doors**, assemble the hardware now. If you have **slider door**, wait until the end to put the rails on.



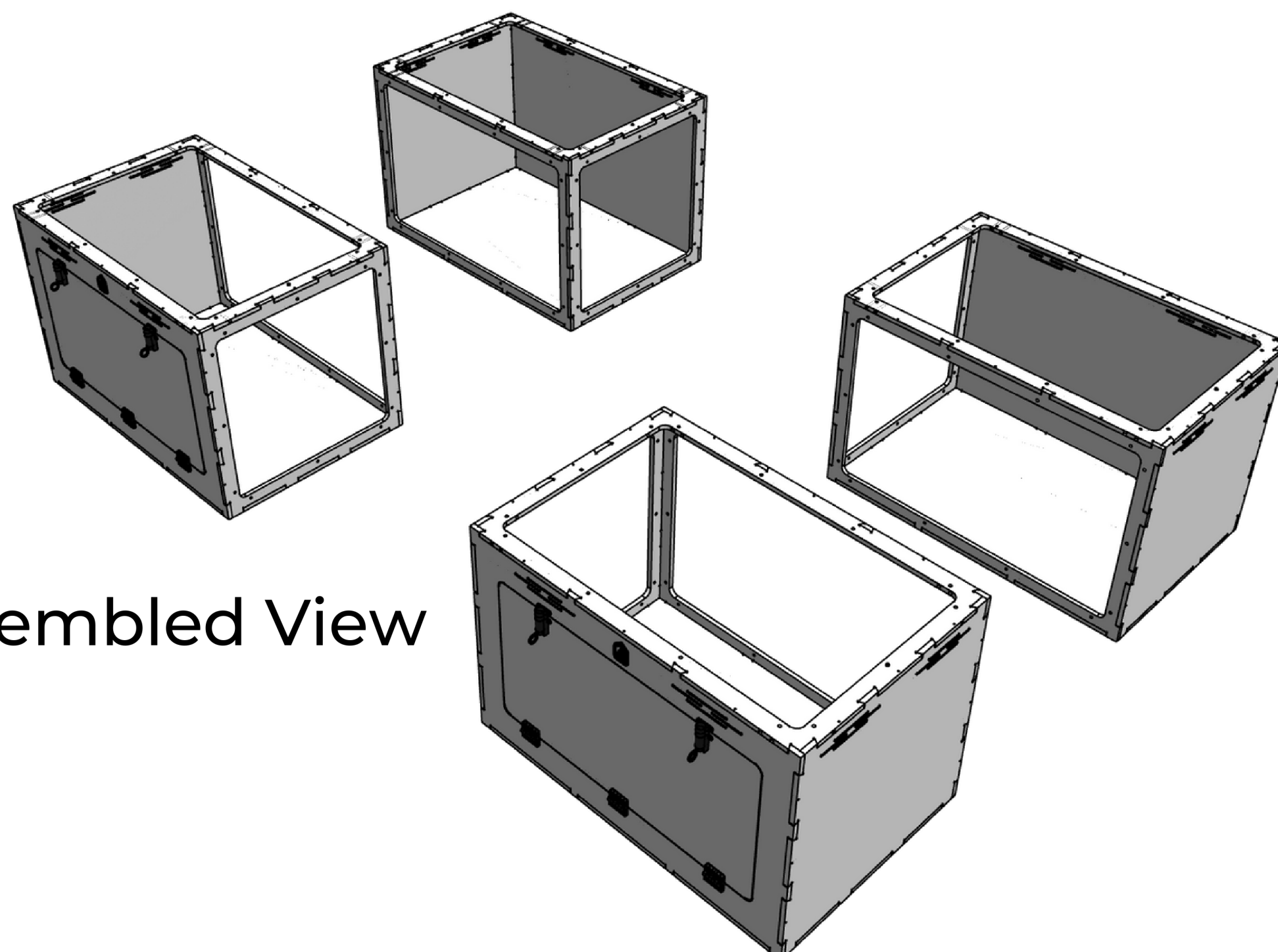
This is what your 'Ls' will look like for all eight blocks.

(Front faces will differ if you have a sliding or front window.)

This is what your lower blocks will look like with bases and tops:



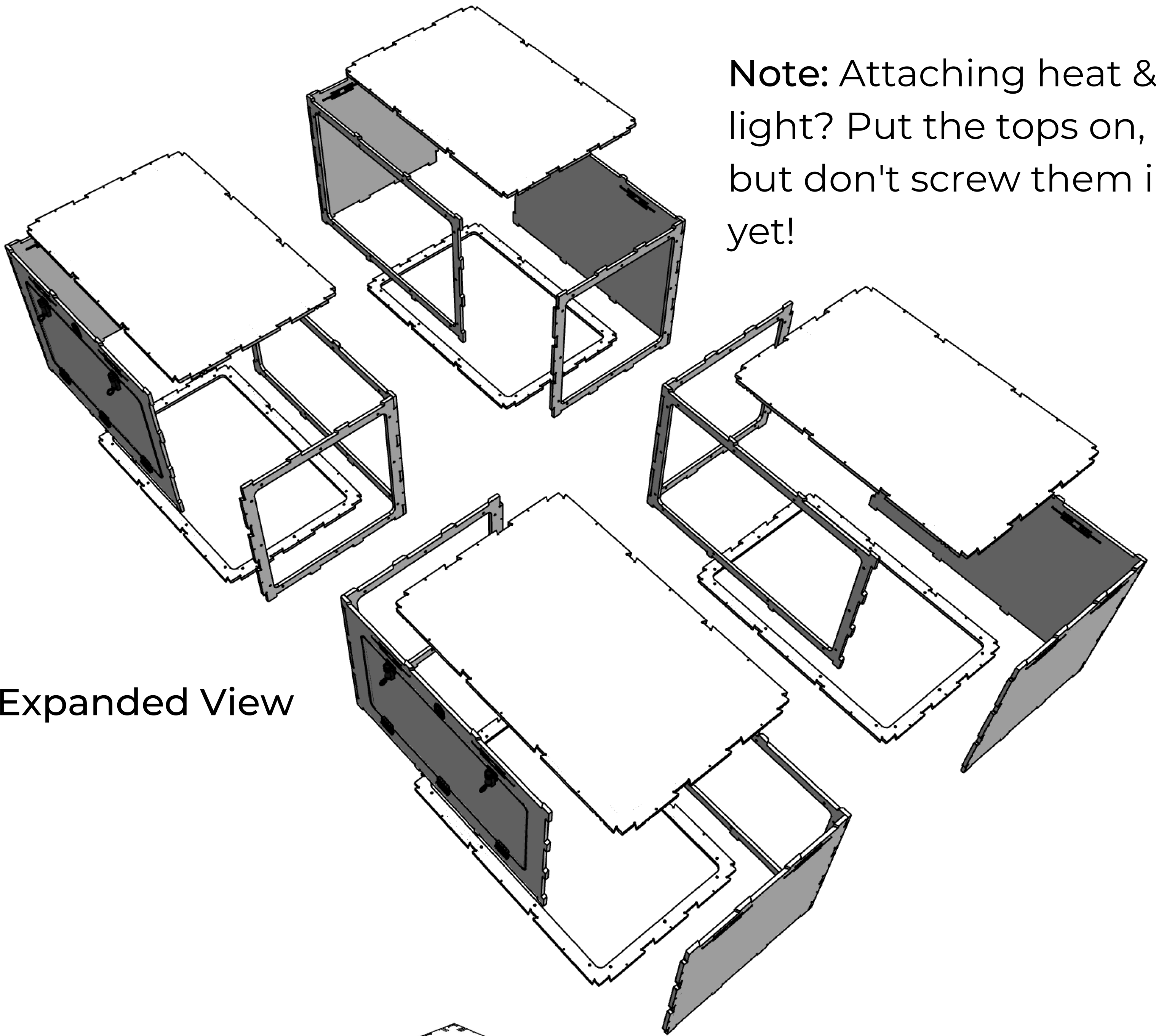
Expanded View



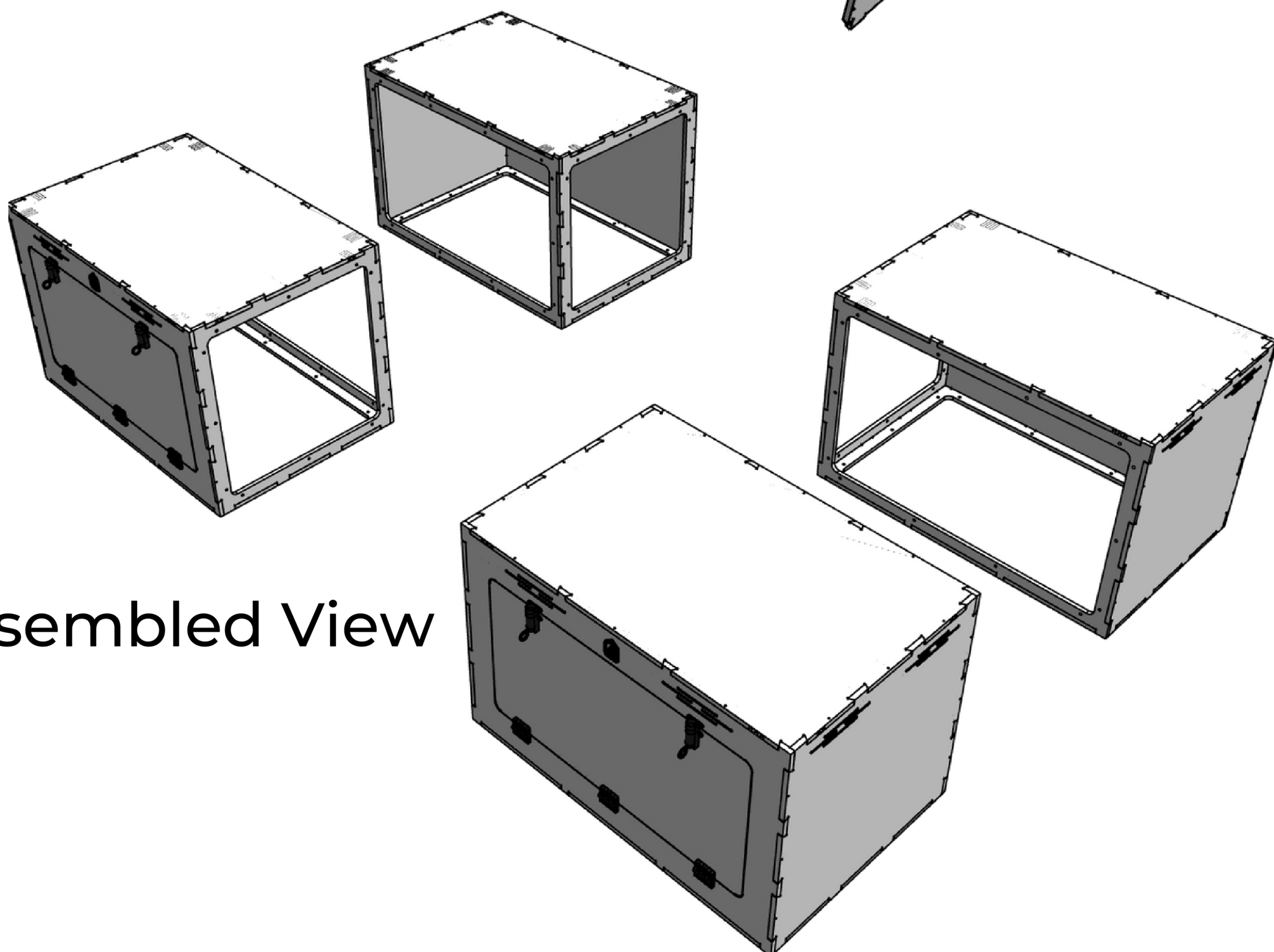
Assembled View

This is what your upper blocks will look like with bases and tops:

Note: Attaching heat & light? Put the tops on, but don't screw them in yet!



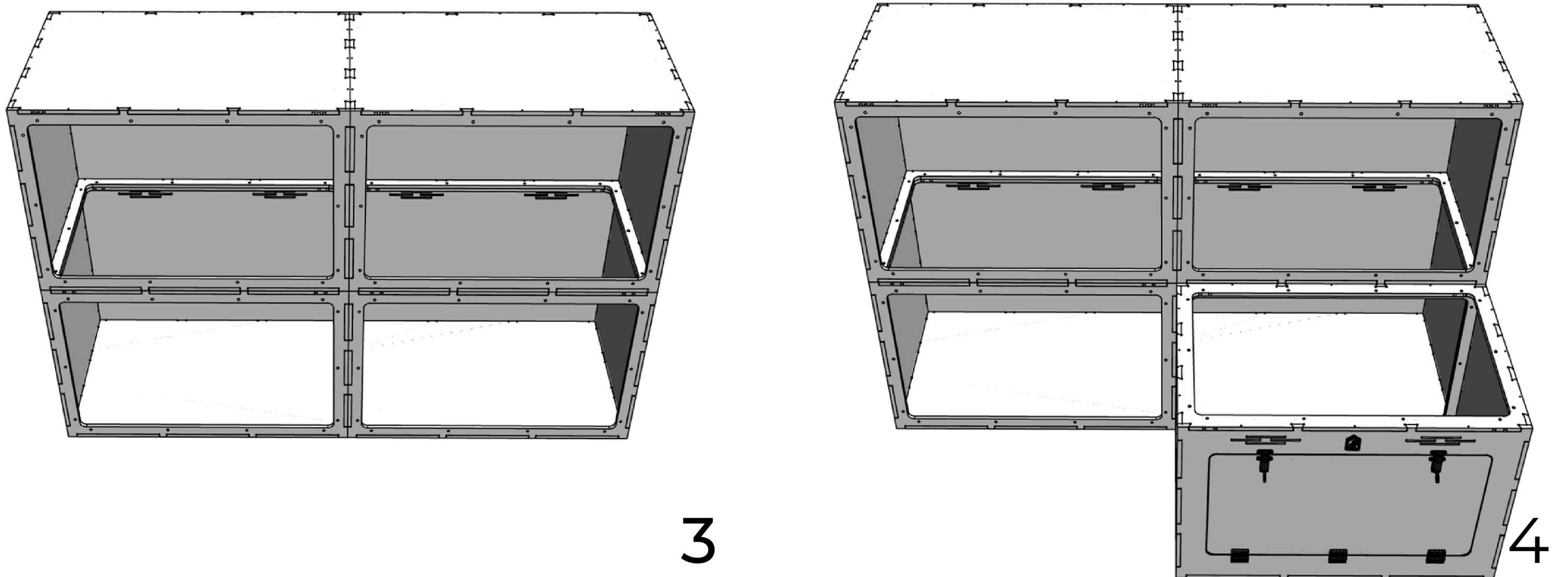
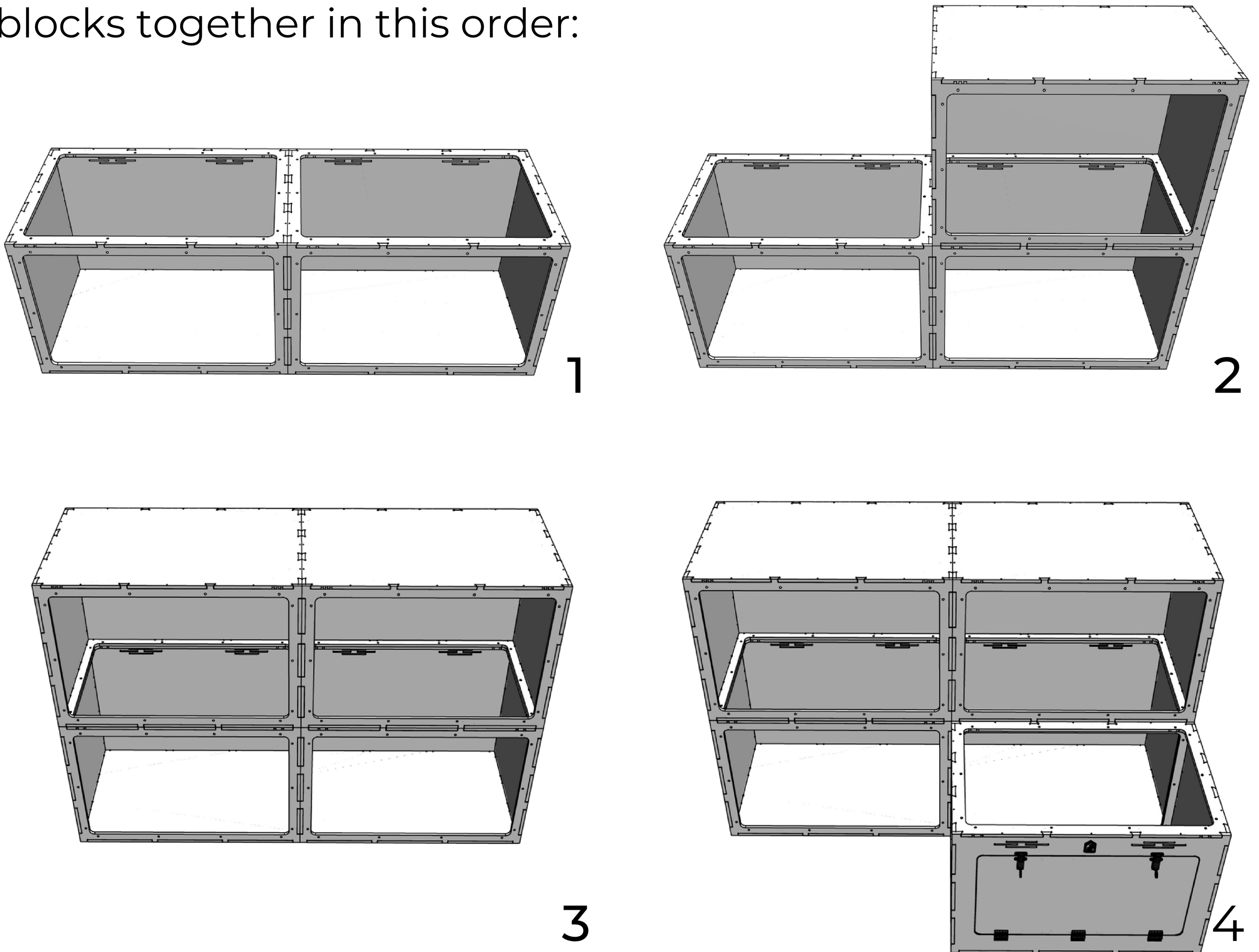
Expanded View



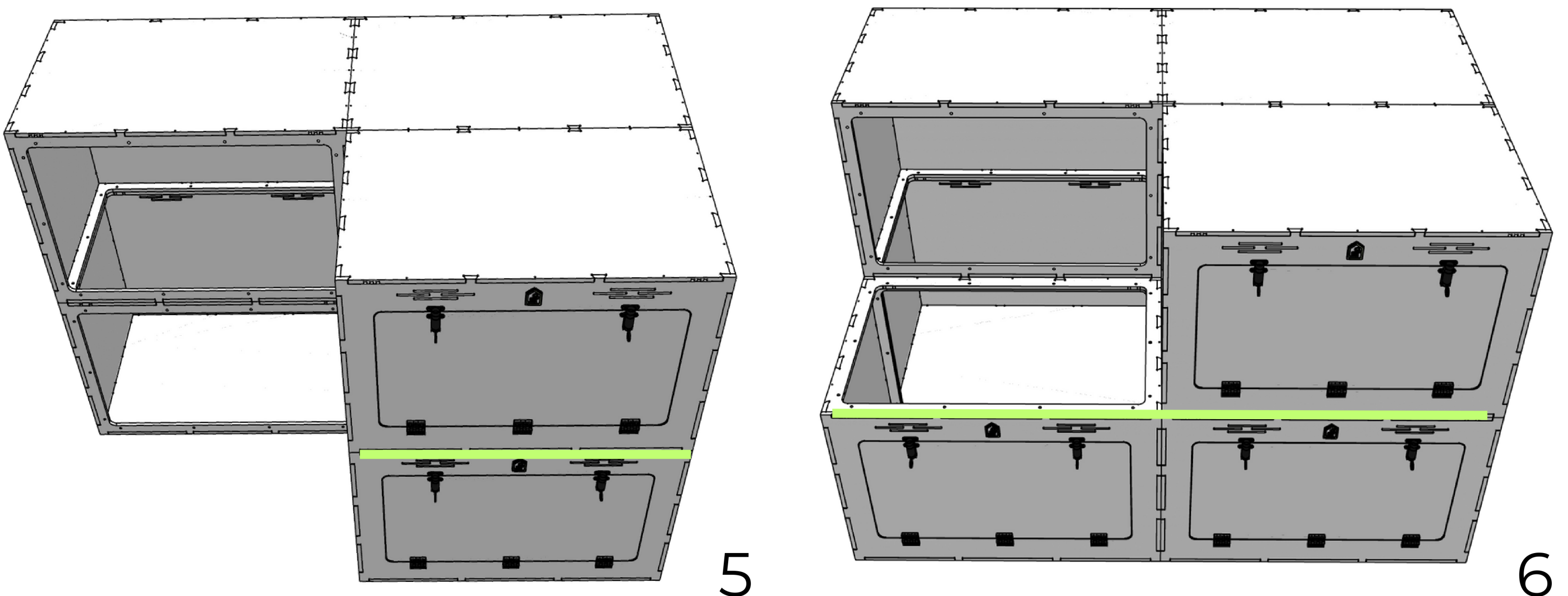
Assembled View

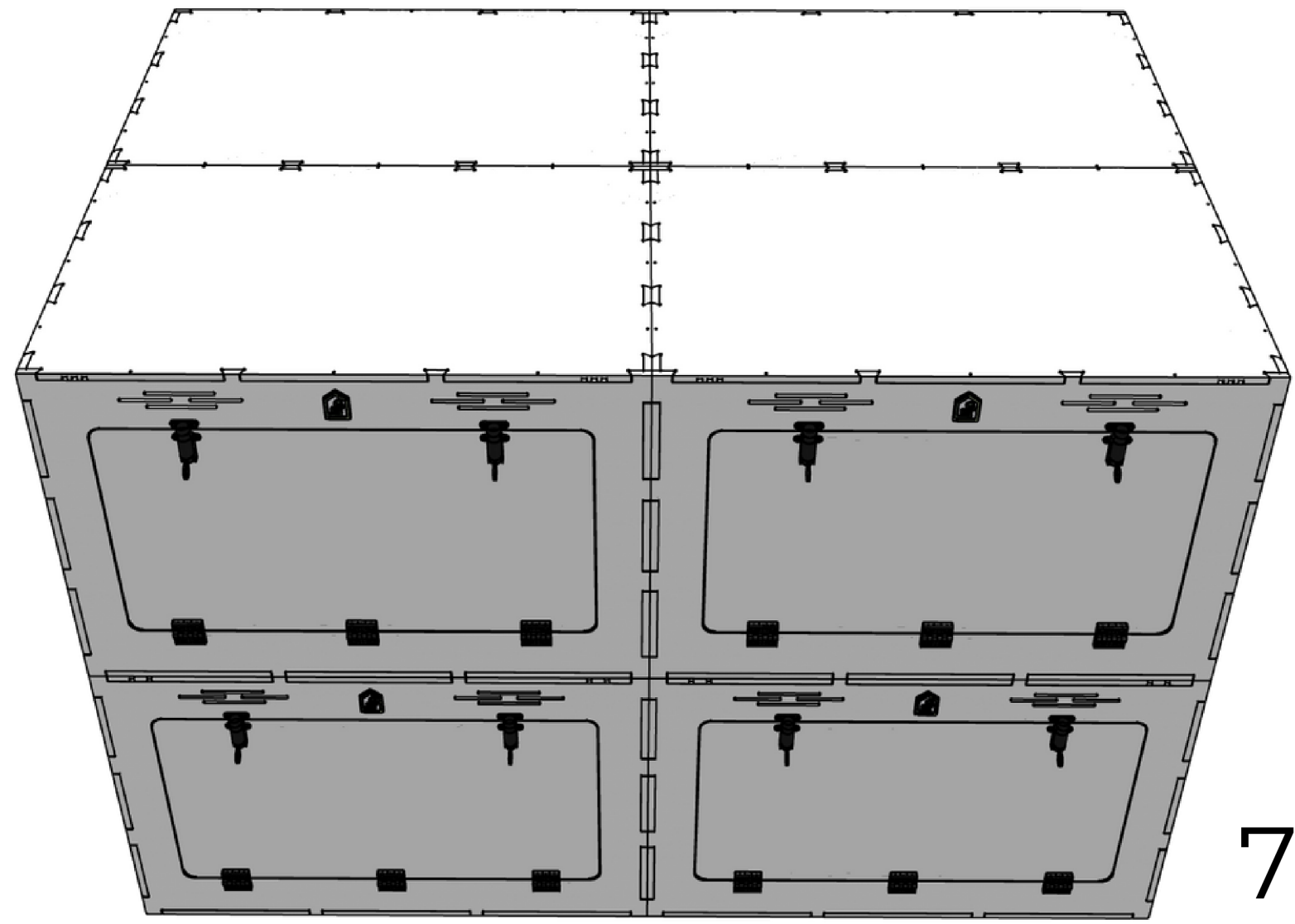
4) Now you will bolt the blocks together using the silver bolts, washers and nuts. Bolt goes through both extension pieces and put the washer & nut on the other side & fasten.

For this version, once you have all blocks put together, bolt the blocks together in this order:



Note: If you have sliding doors DO NOT bolt the fronts faces together in steps 5 & 6. (Bolt 3 sides, except the front, do not bolt highlighted)



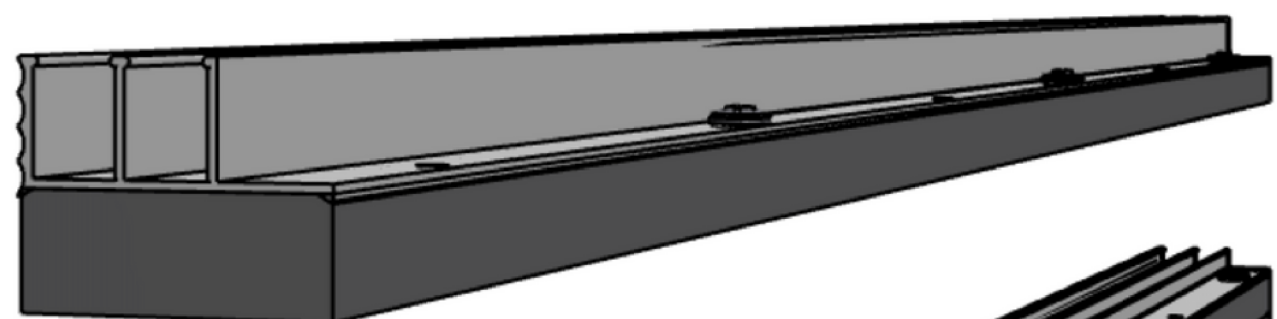


5) Yay! If you have a swing down, you should be done. Seal your base with silicone and your enclosure is ready.

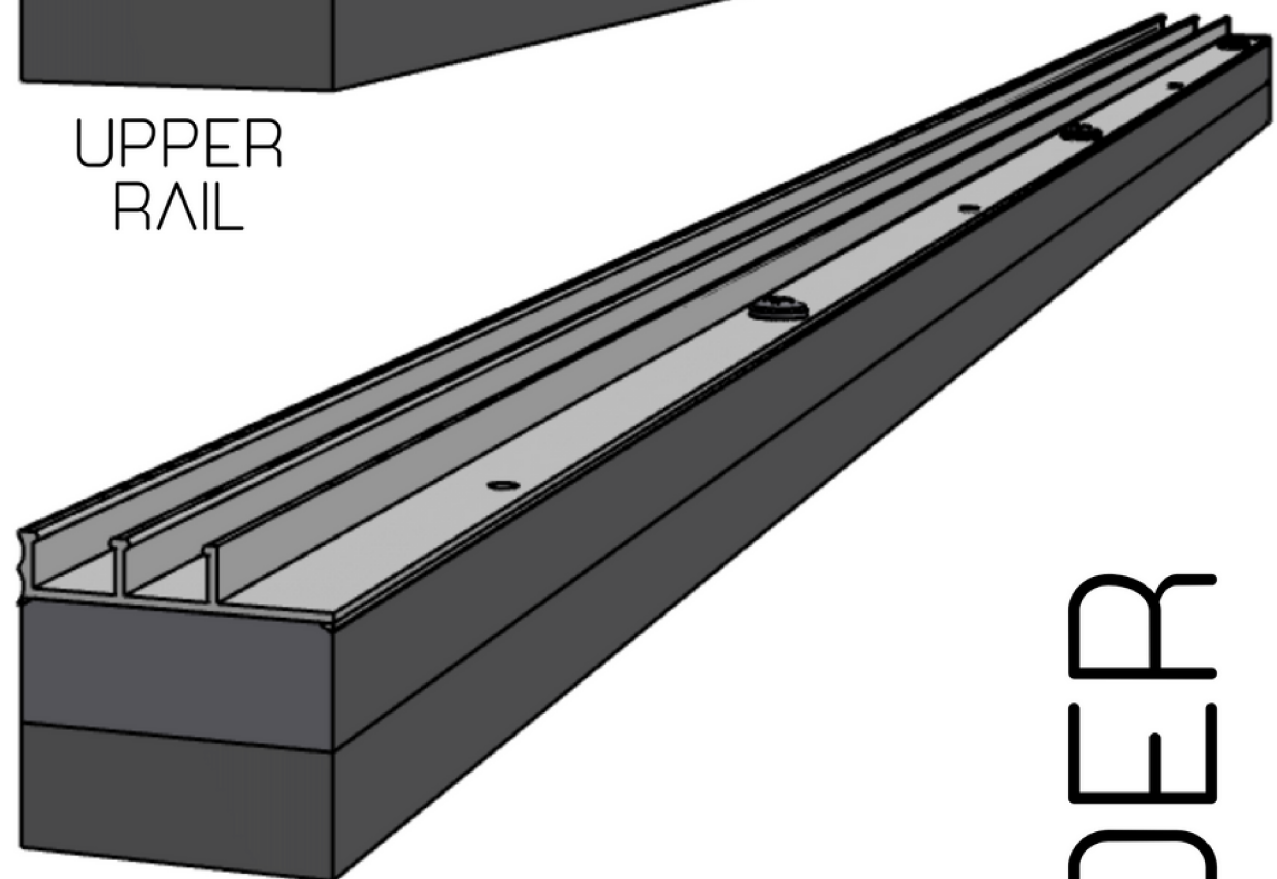
SLIDING DOORS:

If you have sliding doors, this part gets a little different! First, attach your sliding rails on the **bottom level**.

This piece comes with 4' sliders only



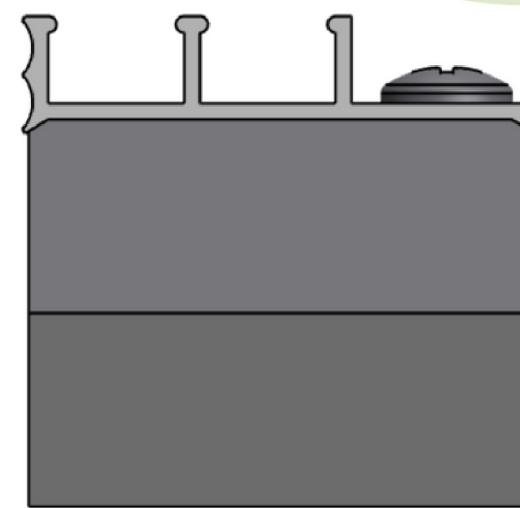
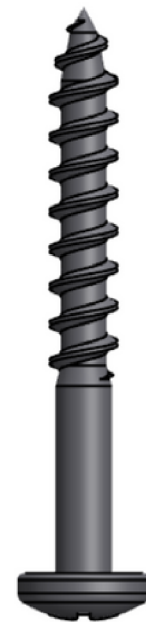
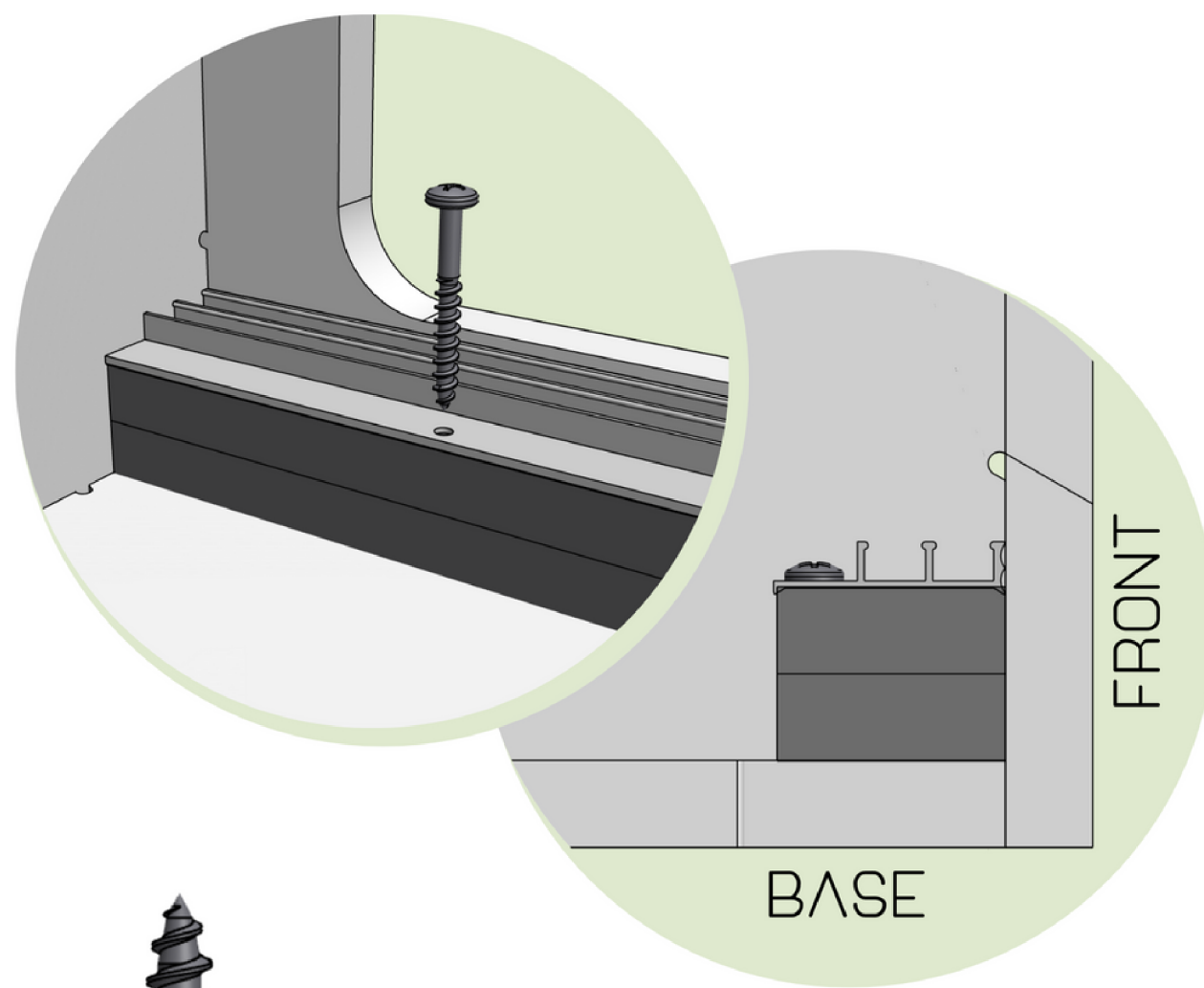
UPPER RAIL



LOWER RAIL

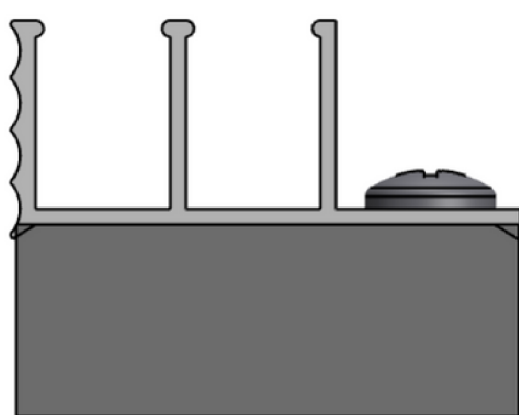
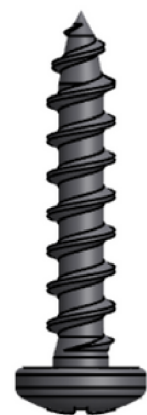
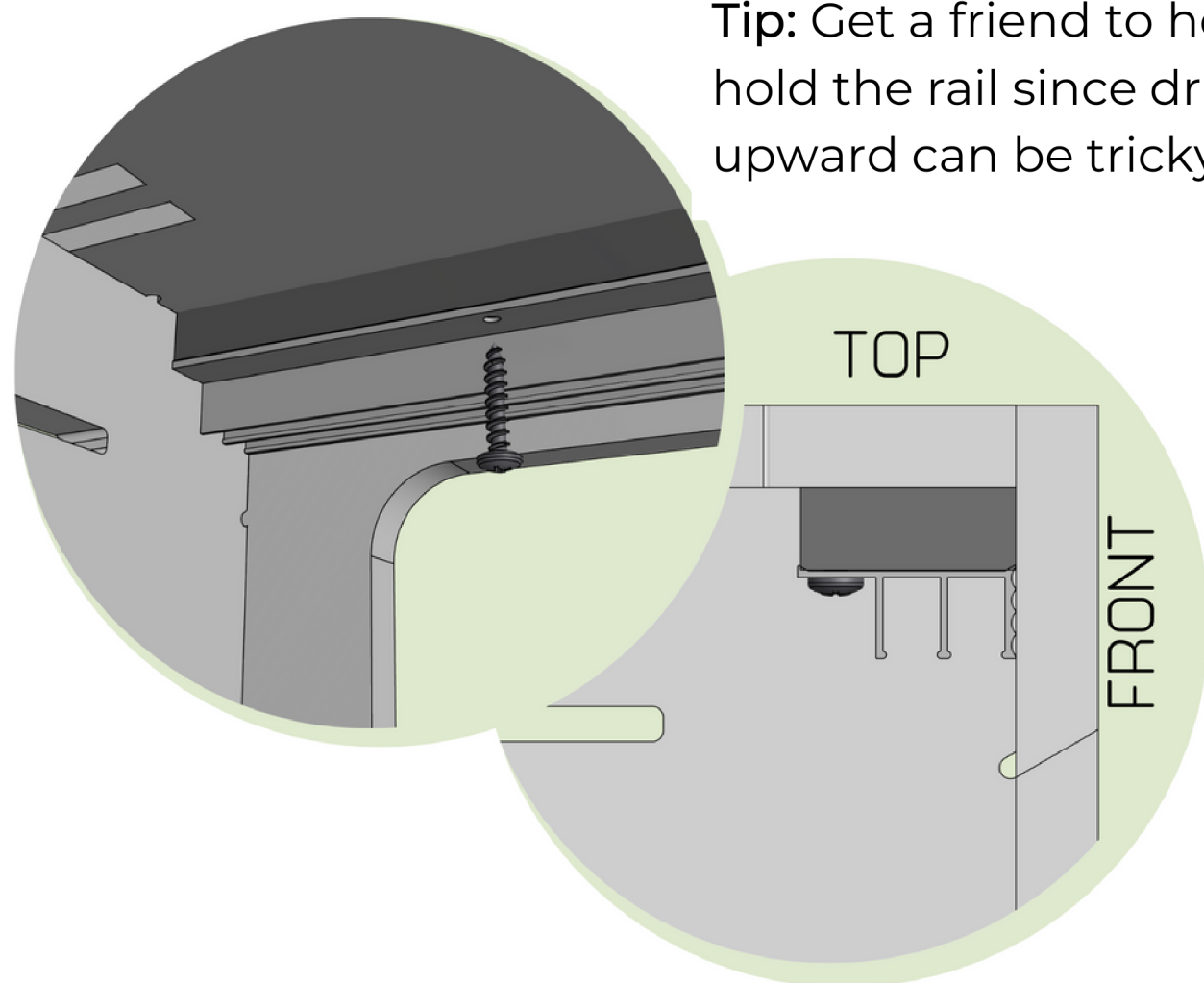


SLIDER



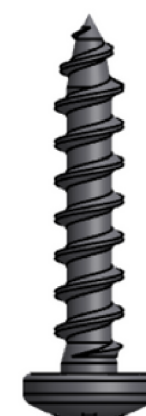
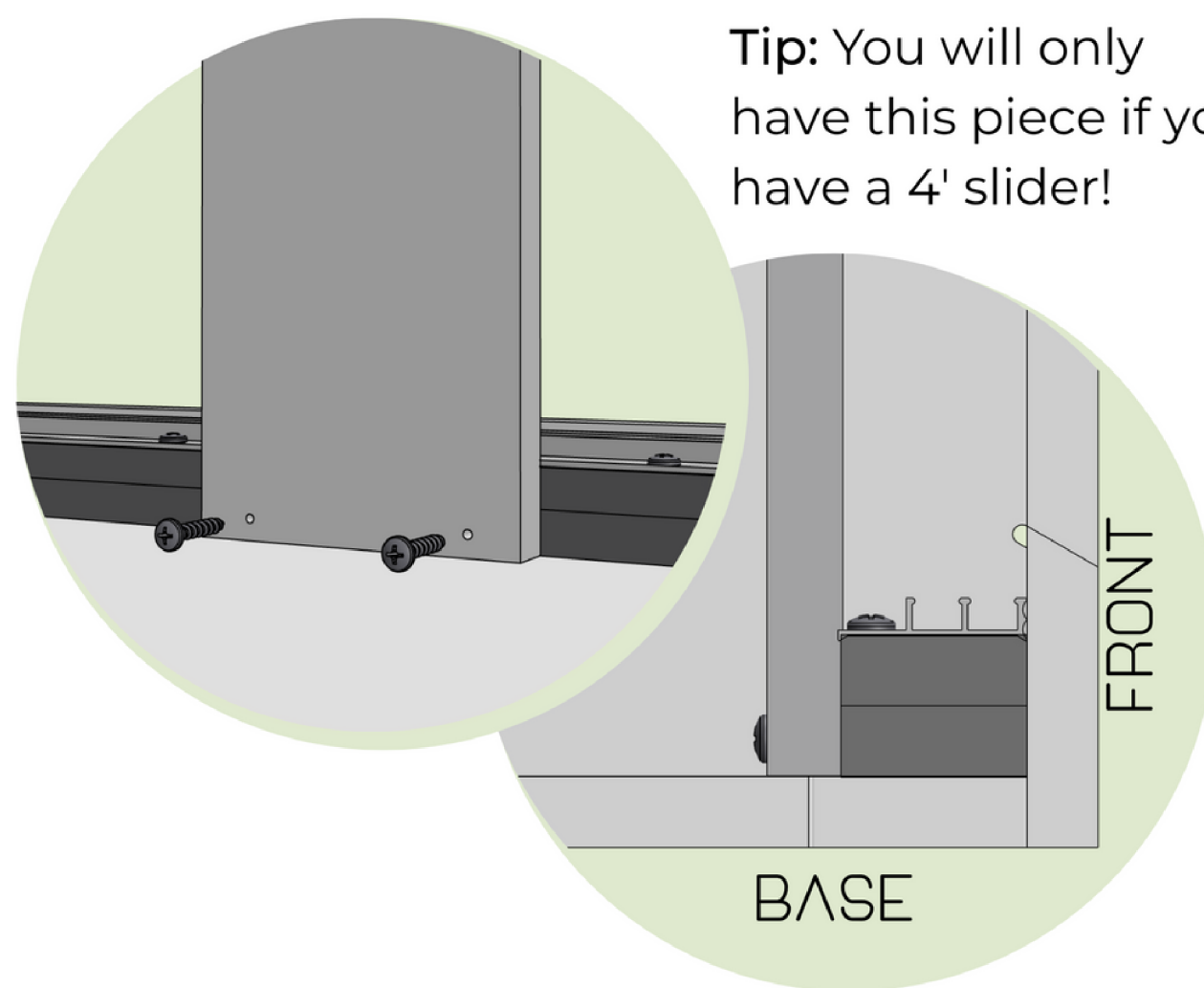
LOWER RAIL

Tip: Get a friend to help you hold the rail since drilling upward can be tricky!



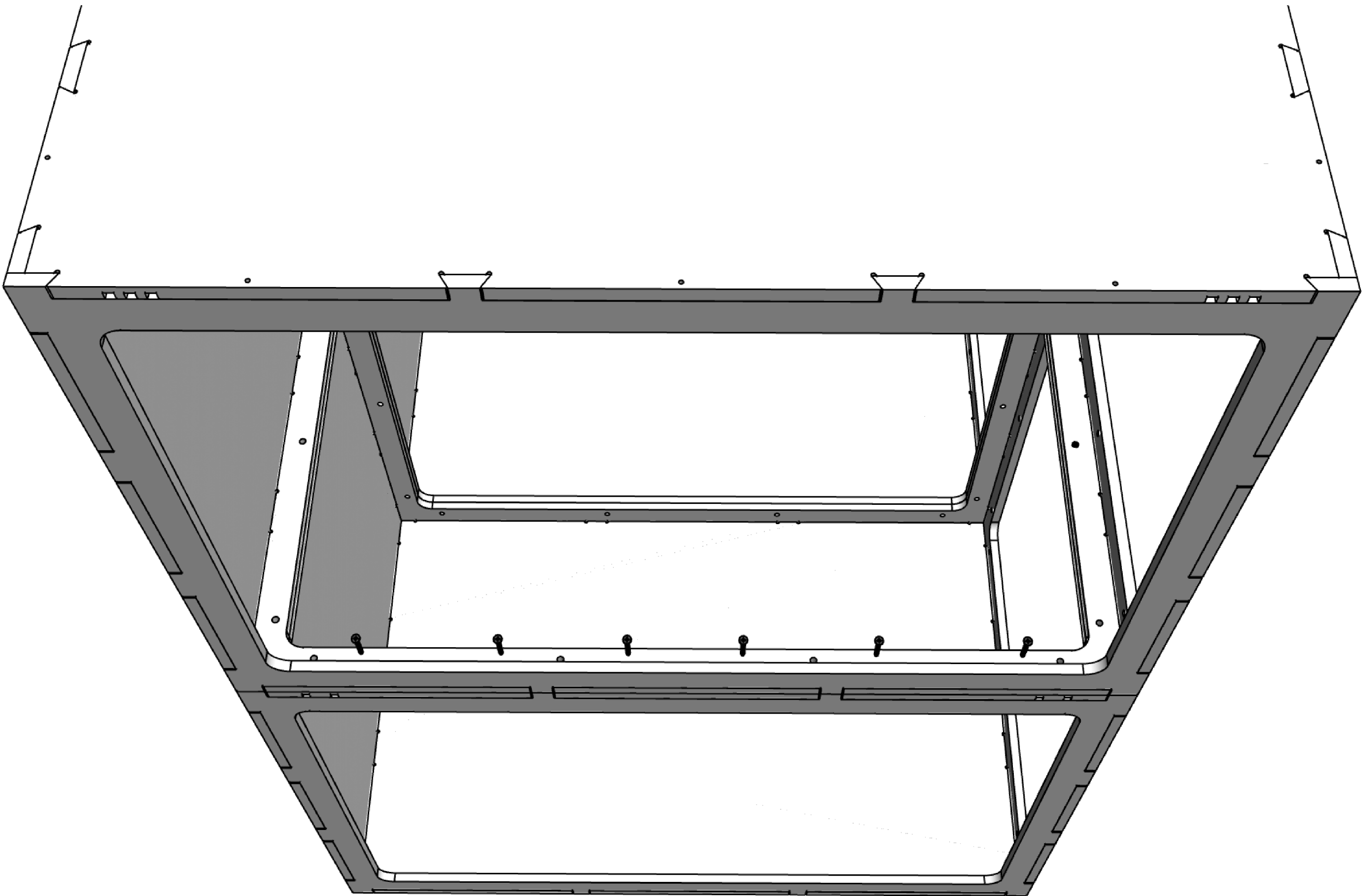
UPPER RAIL

Tip: You will only have this piece if you have a 4' slider!



CENTER COLUMN

Once you have installed the railing in the lower level, instead of bolting the fronts of the bottom and top block like you did with all the others, you are going to line up the fronts and use the drywall screws to screw the top block securely to the bottom one:



You can now attach the rails to the blocks on the top level!