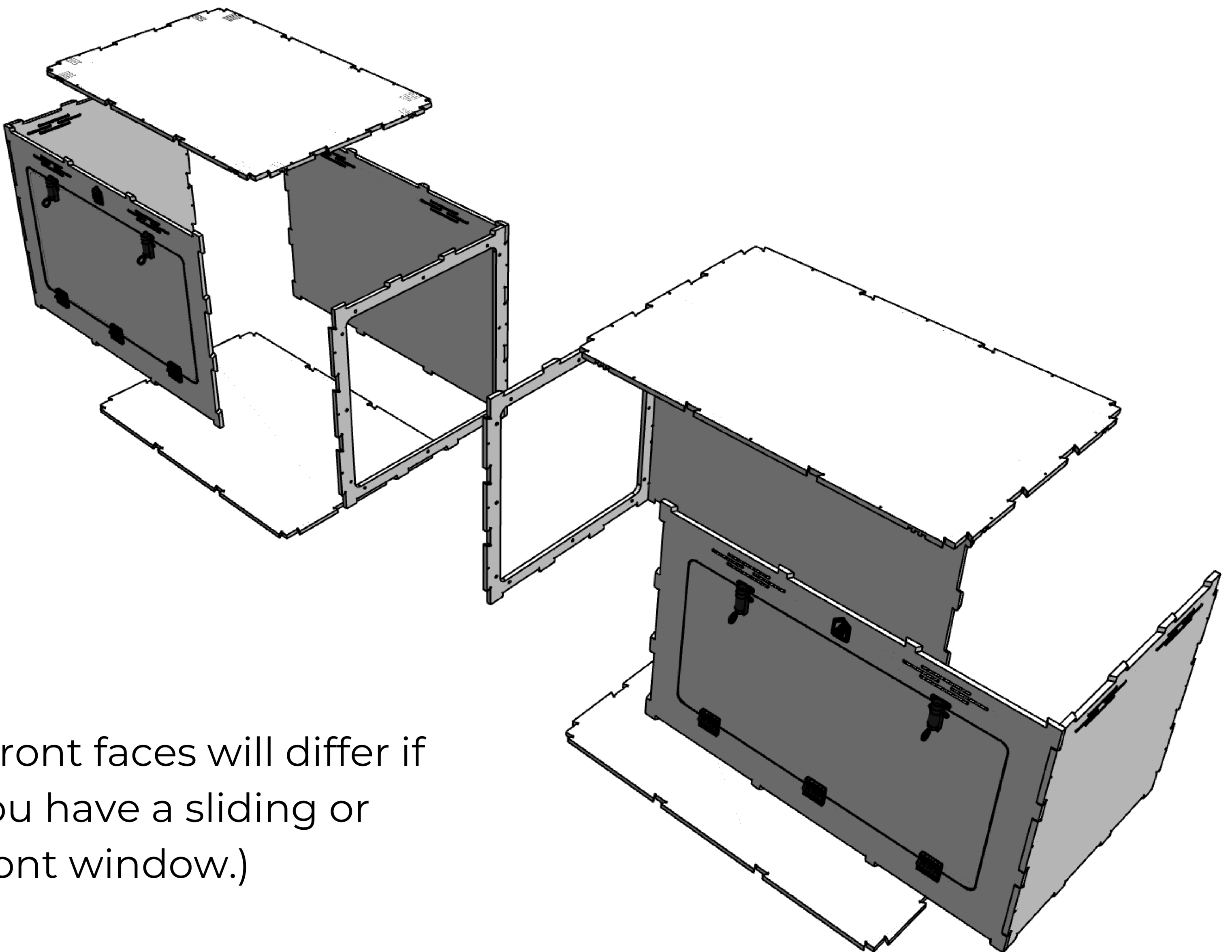


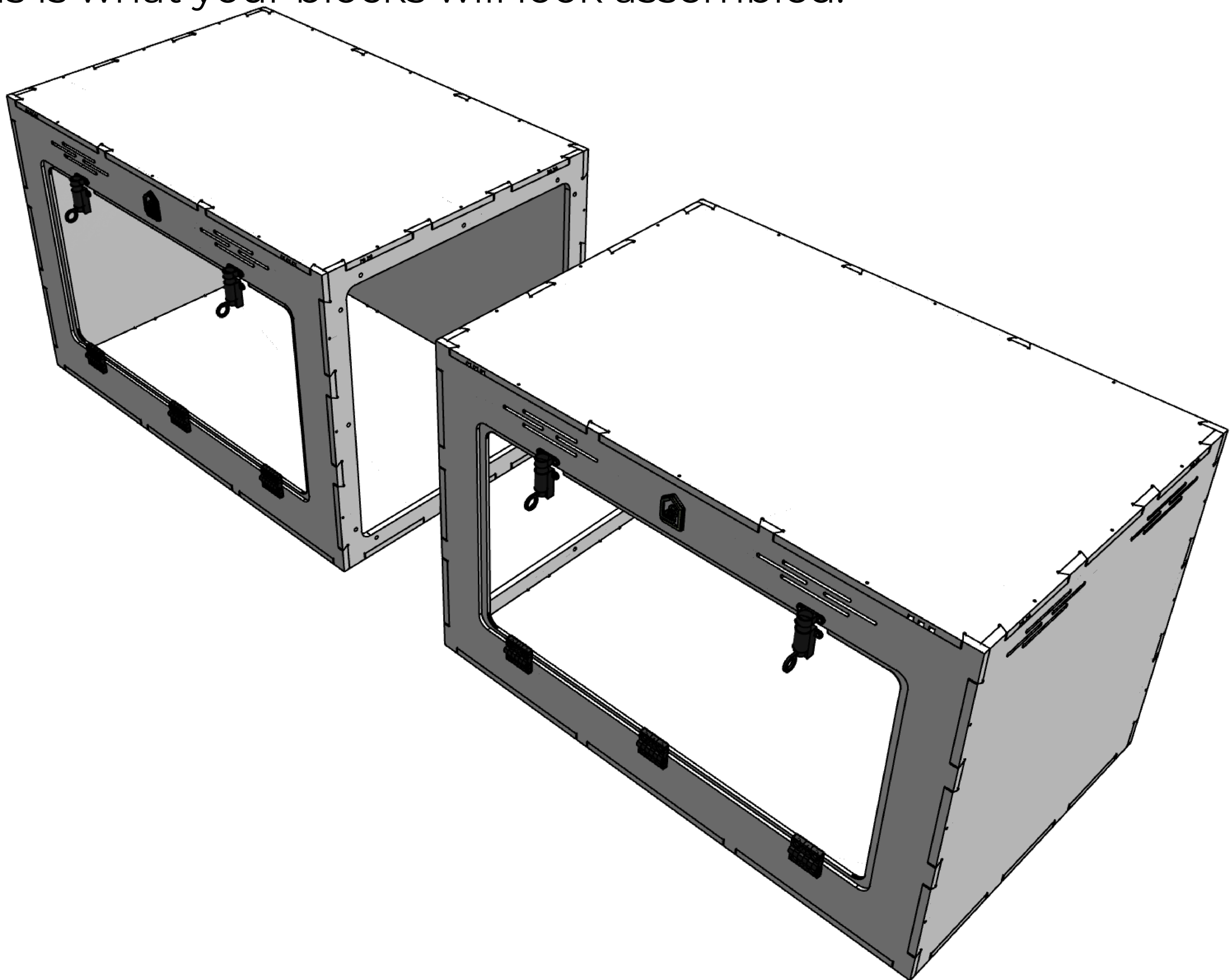
Two Block Enclosure Assembly:

- 1) Watch the general assembly video/download the PDF on: www.apexcages.com/assembly
- 2) You will have to assemble 2 blocks this way with different combinations of extensions and solid pieces, the only difference being, when you screw your enclosure blocks together leave out the middle screws on any pieces that connect to an extension/passthrough piece. You will be bolting the extension pieces and that screw will get in the way.
- 3) Make sure to identify your front door/window pieces. If you have **swing down doors**, assemble the hardware now. If you have **slider door**, wait until the end to put the rails on.

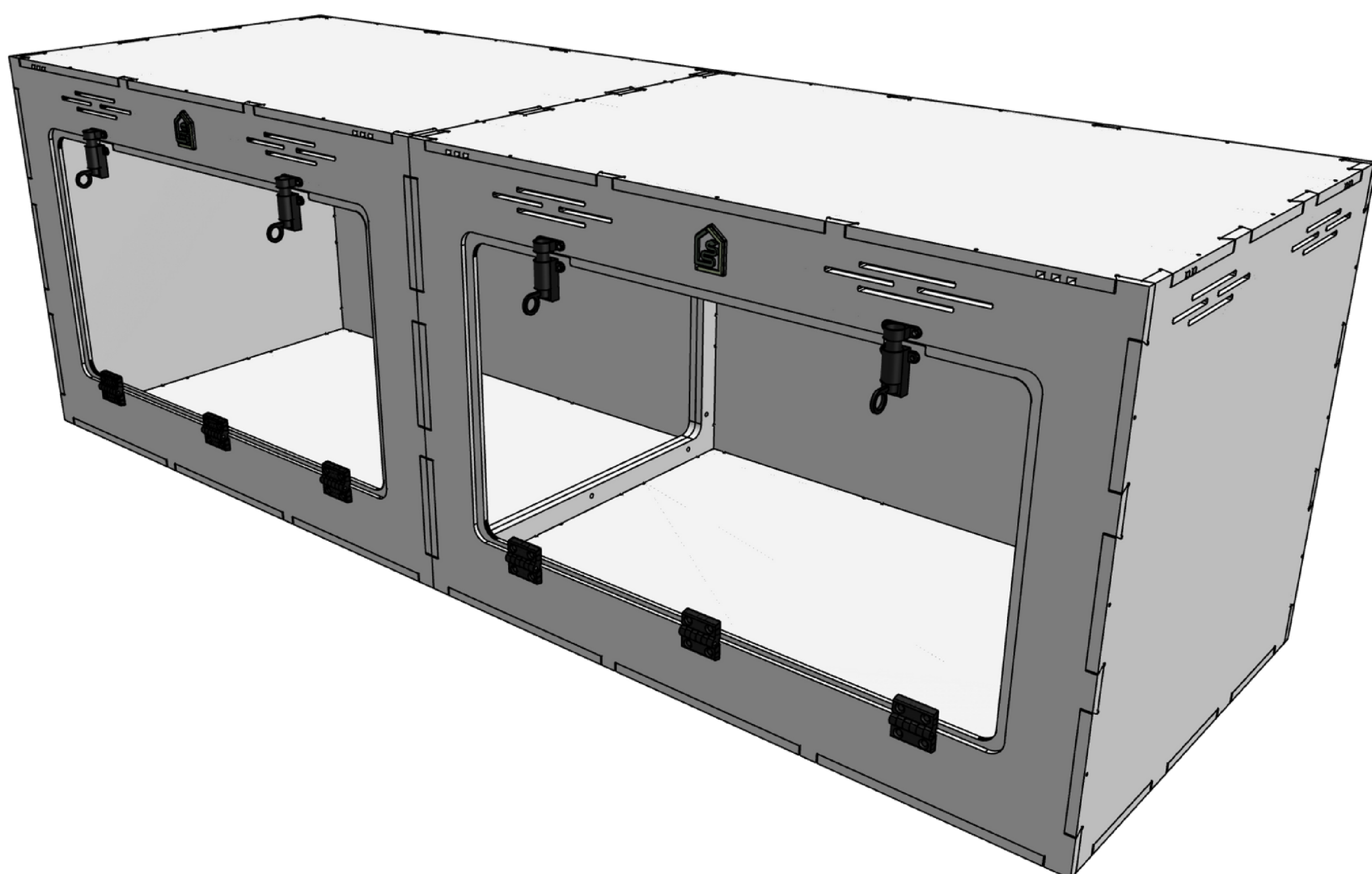


(Front faces will differ if you have a sliding or front window.)

This is what your blocks will look assembled:



Bolt the blocks together with the silver bolts:

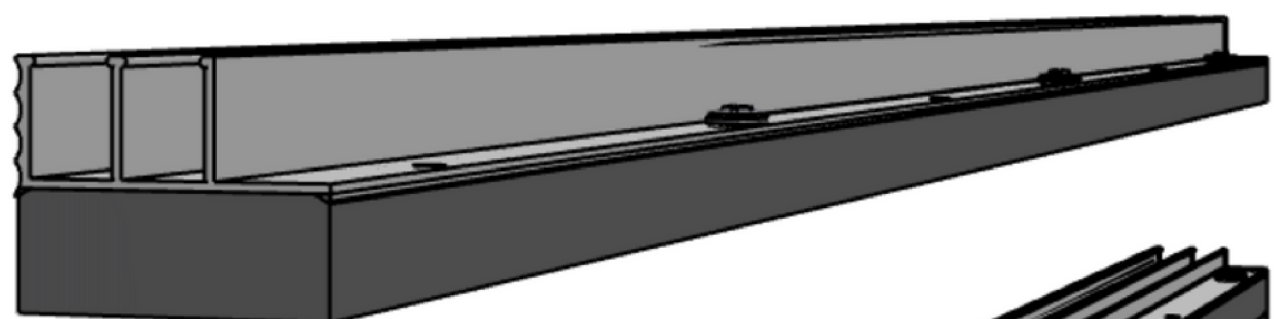


Seal the base with silicone and attach your heat & light!

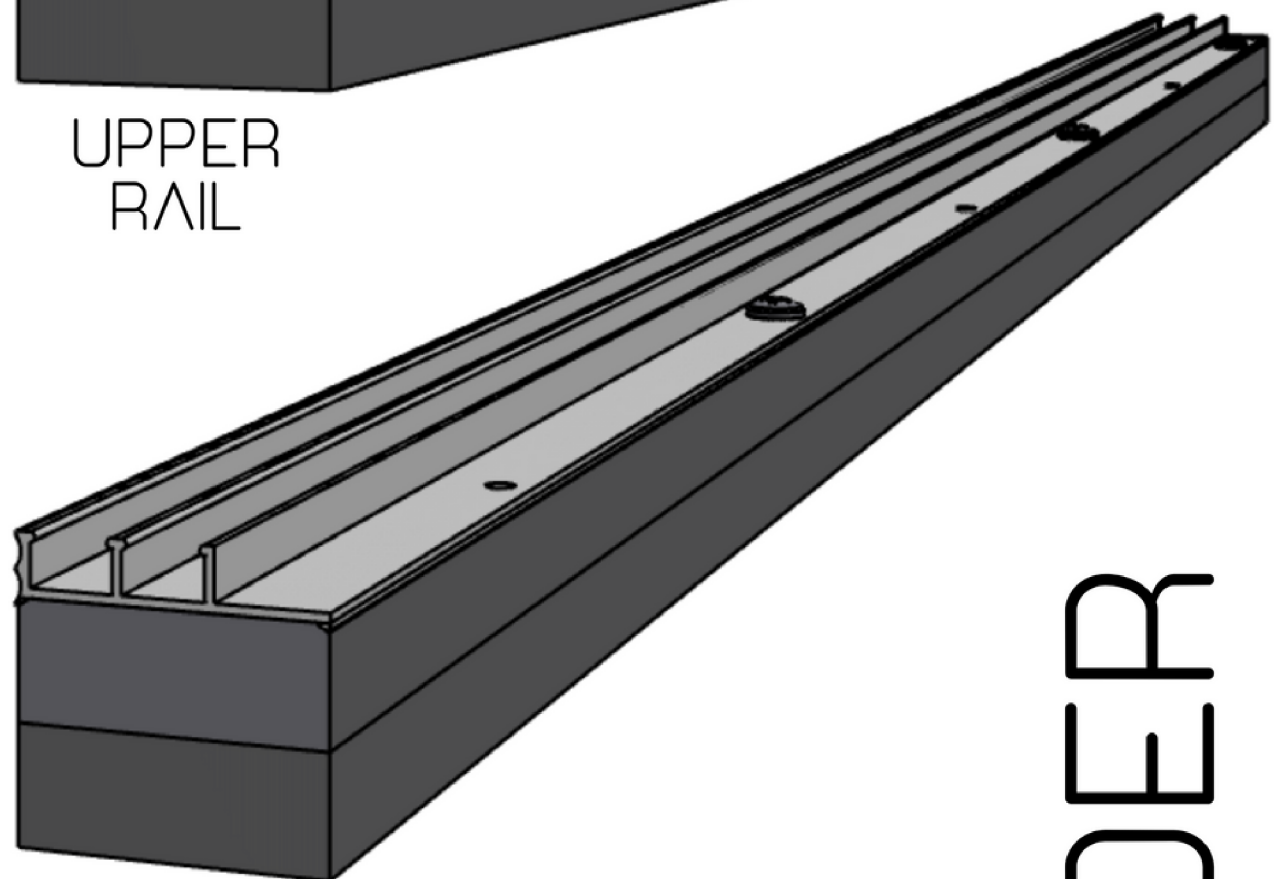
SLIDING DOORS:

If you have sliding doors, this part gets a little different! First, attach your sliding rails on the bottom level.

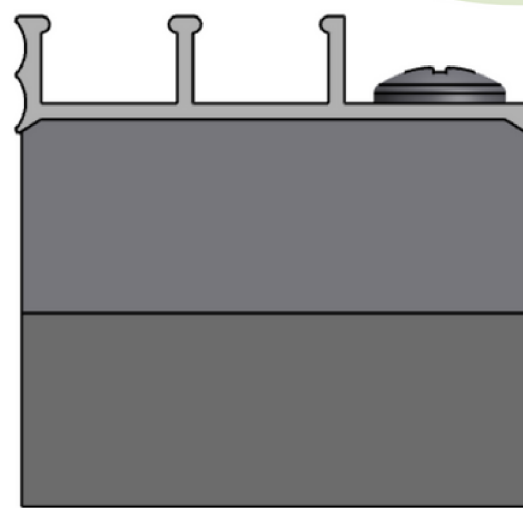
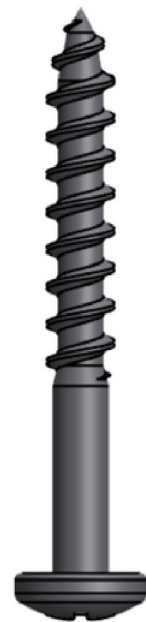
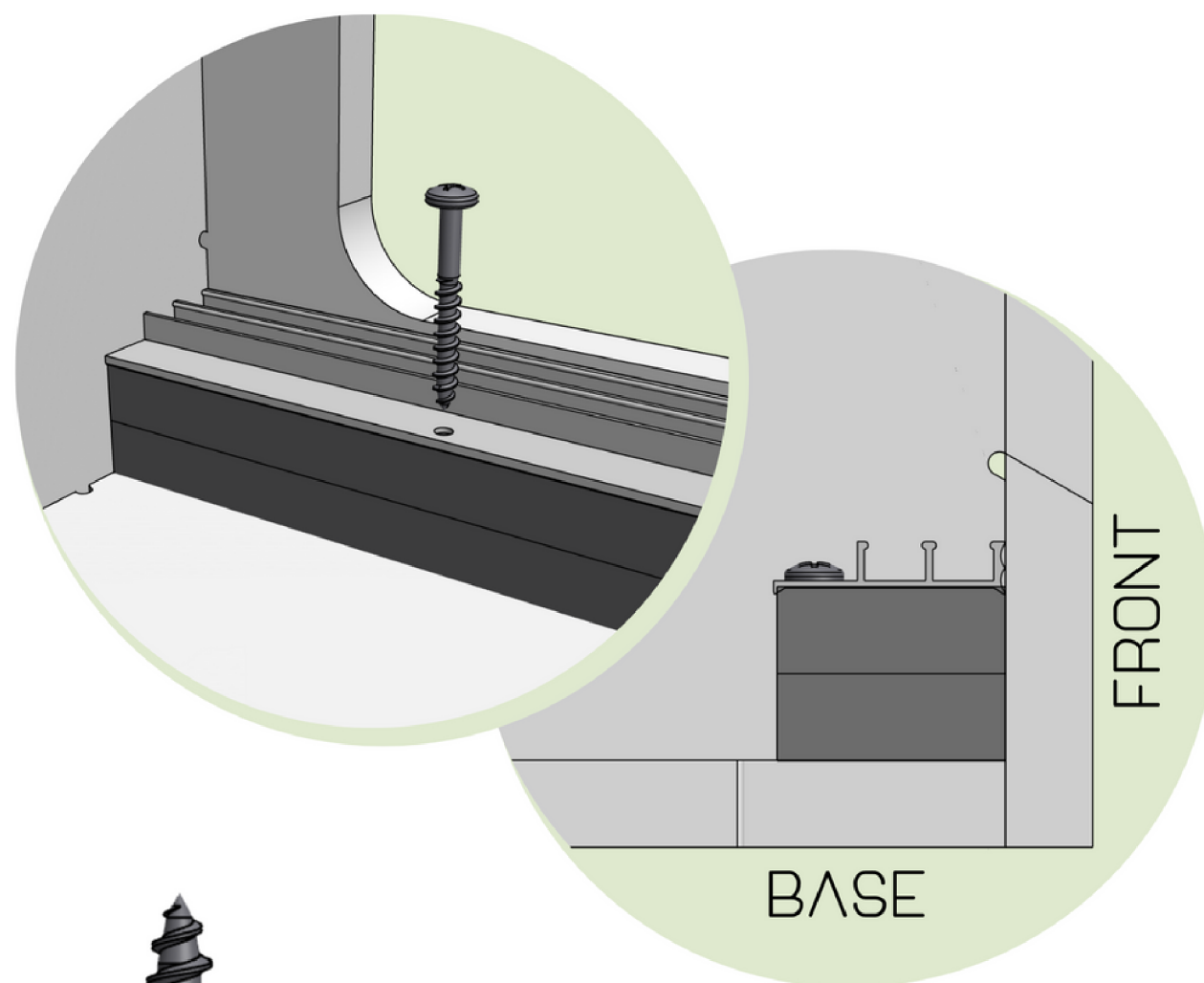
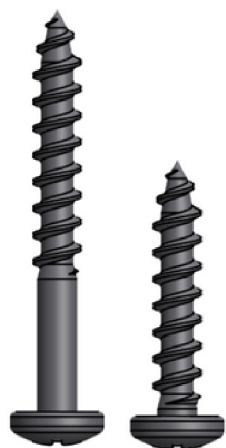
This piece comes with 4' sliders only



UPPER RAIL

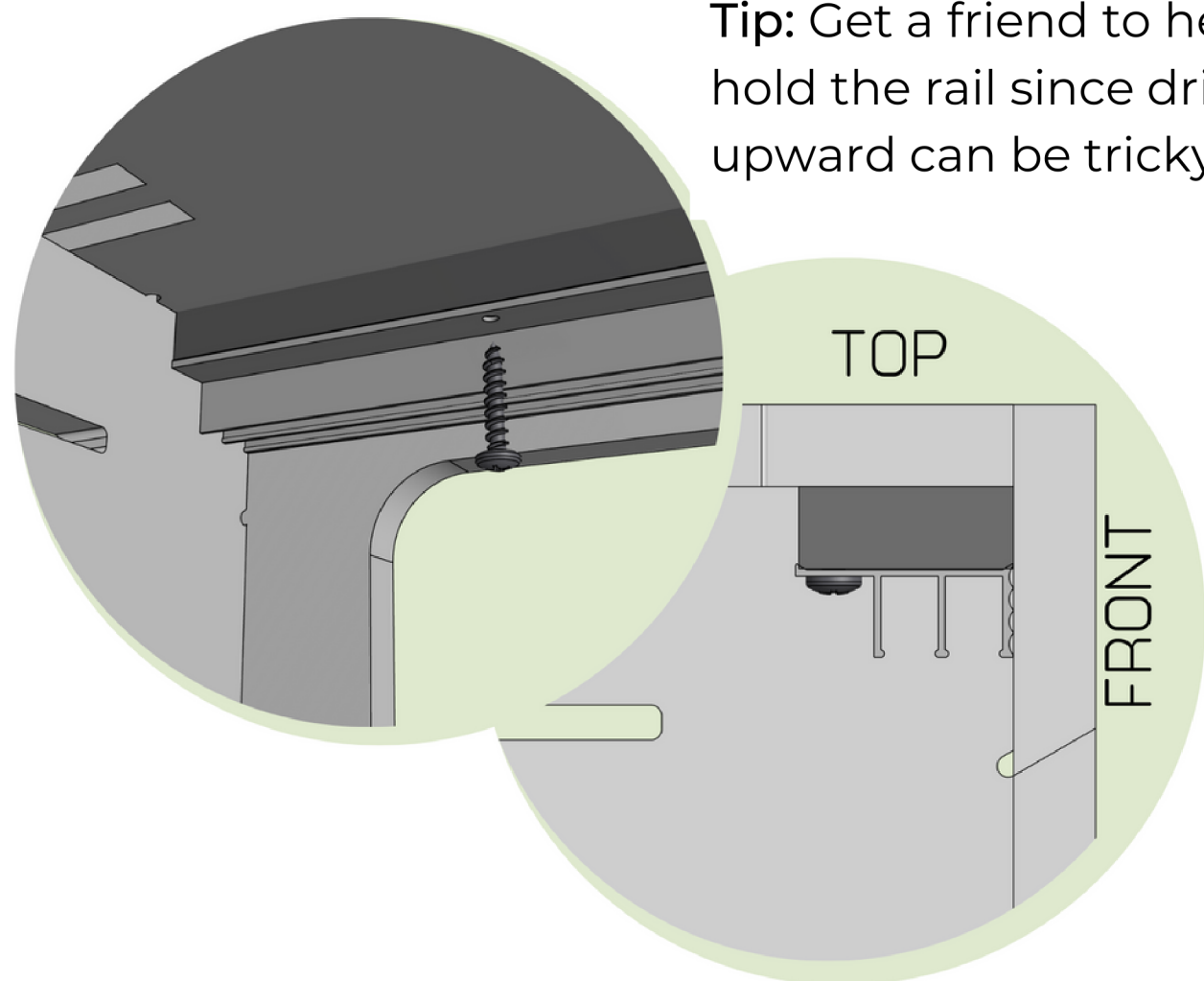


LOWER RAIL

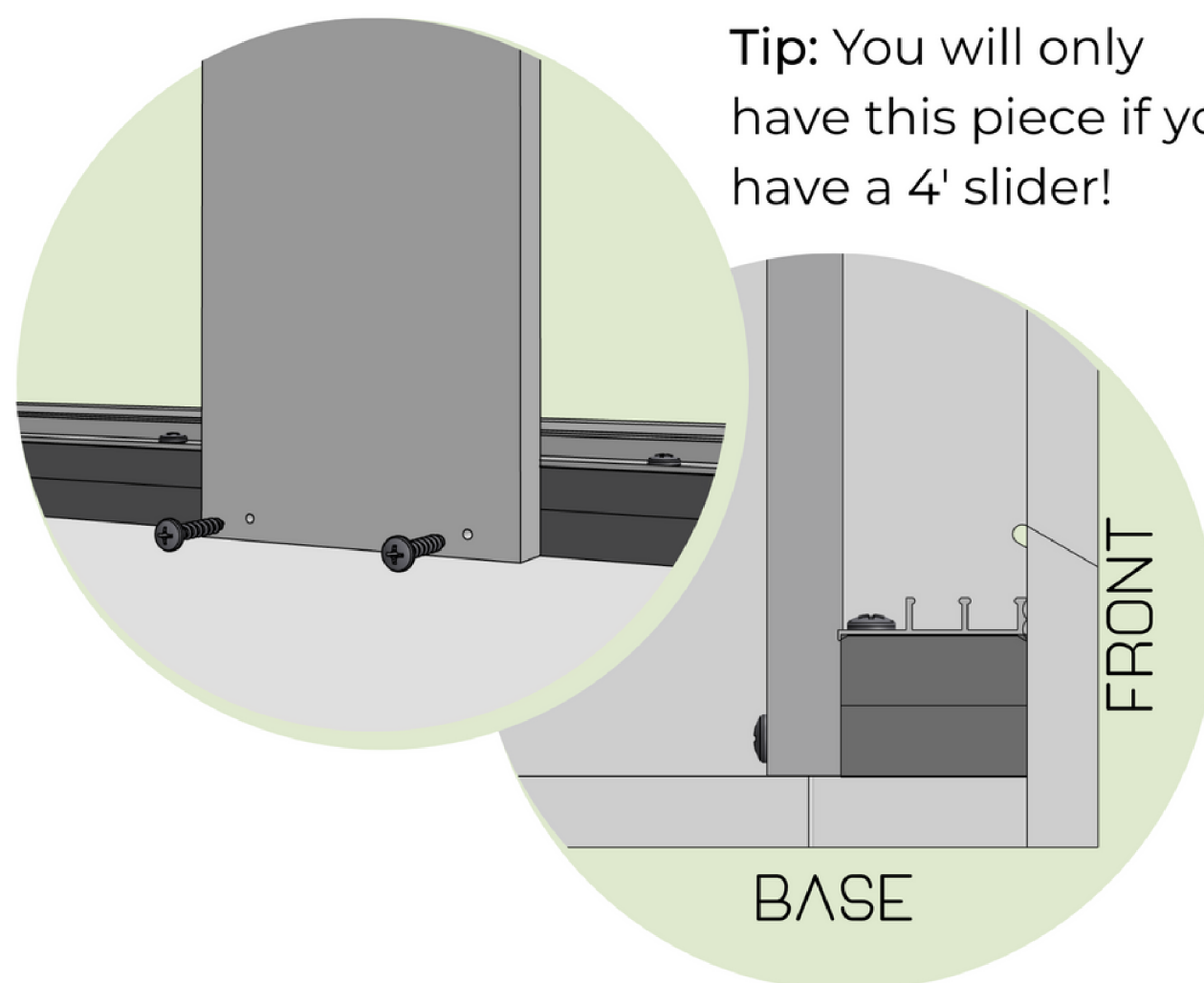


SLIDER

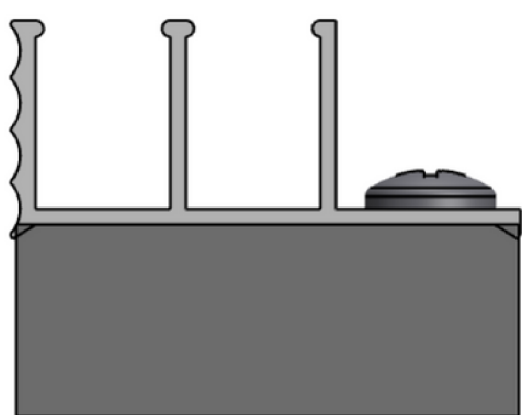
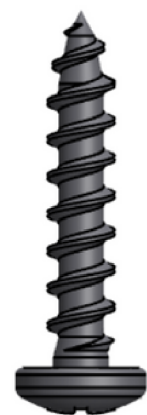
LOWER RAIL



Tip: Get a friend to help you hold the rail since drilling upward can be tricky!



Tip: You will only have this piece if you have a 4' slider!



UPPER RAIL

CENTER COLUMN

